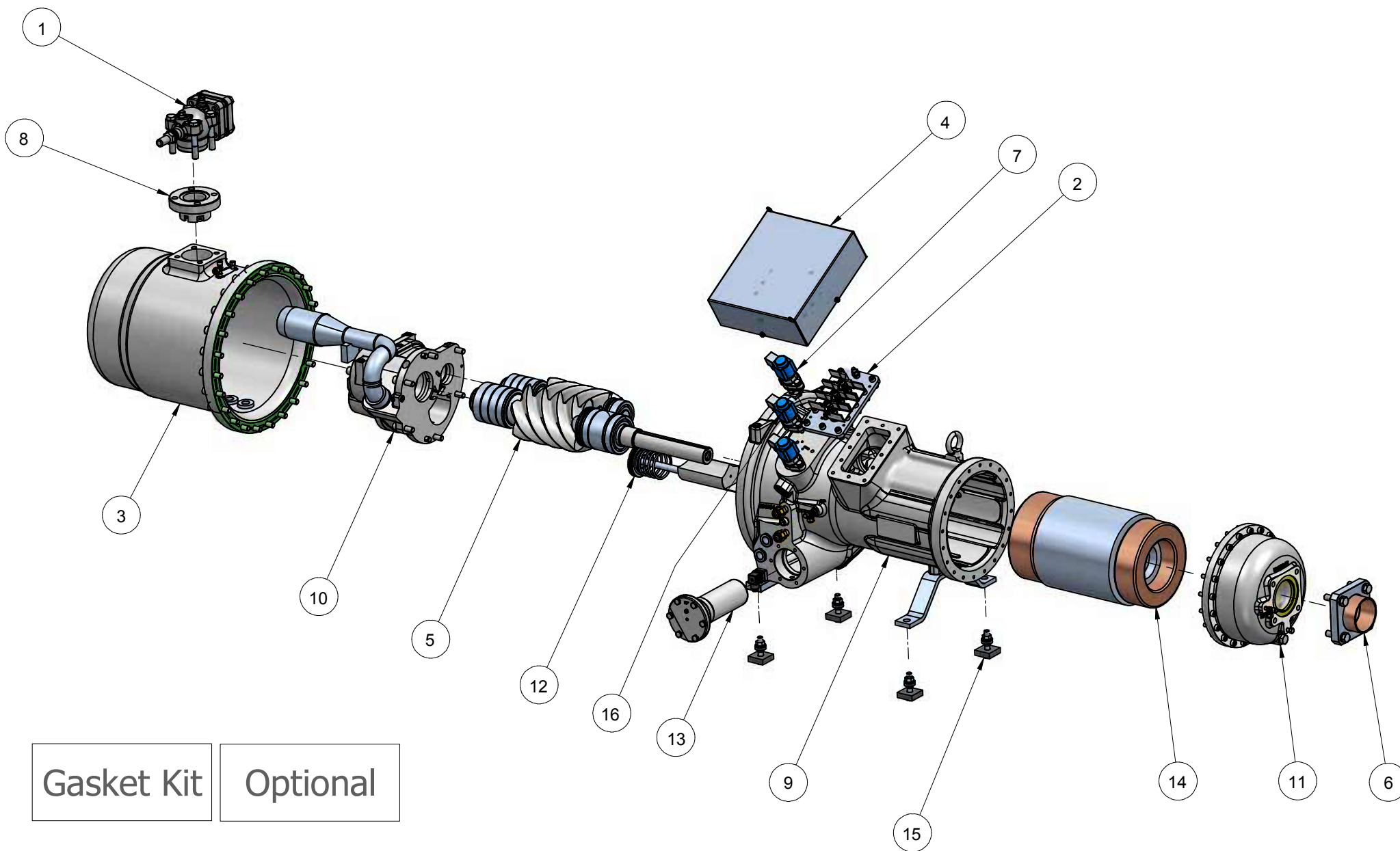


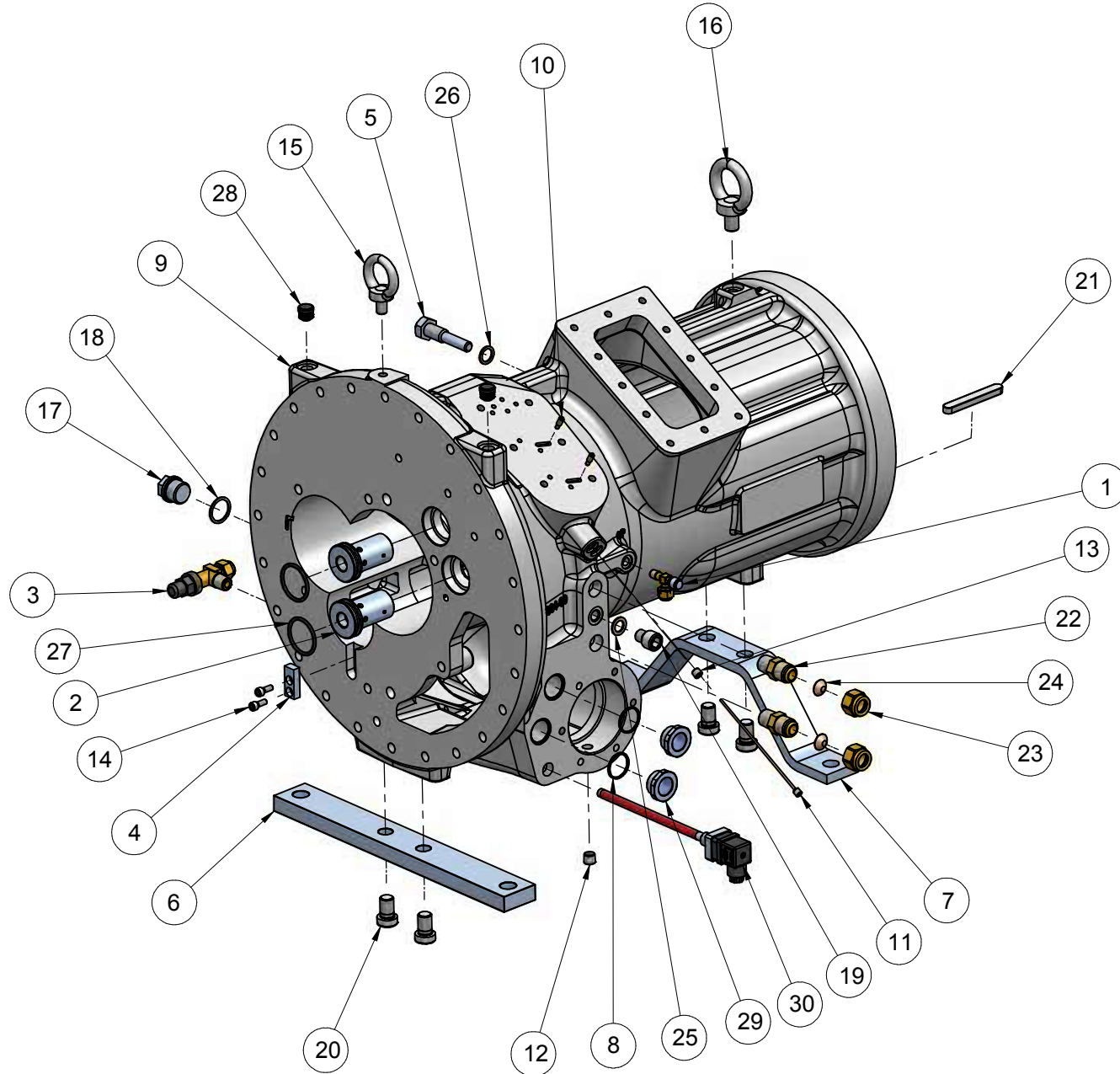
Model: "134-S" Series



134-S-071_081_091_101

ATTENZIONE: il presente disegno è di esclusiva proprietà REFCOMP. E' fatto divieto di riproduzione e di divulgazione anche parziale secondo quanto regolato dalle norme vigenti.

ATTENTION: the present drawing is exclusively ownership of REFCOMP. Is forbidden to reproduce and to disclose, even if partially, the present document in conformity to law regulation in force.



134-S-071/081/091/101 Rotor housing

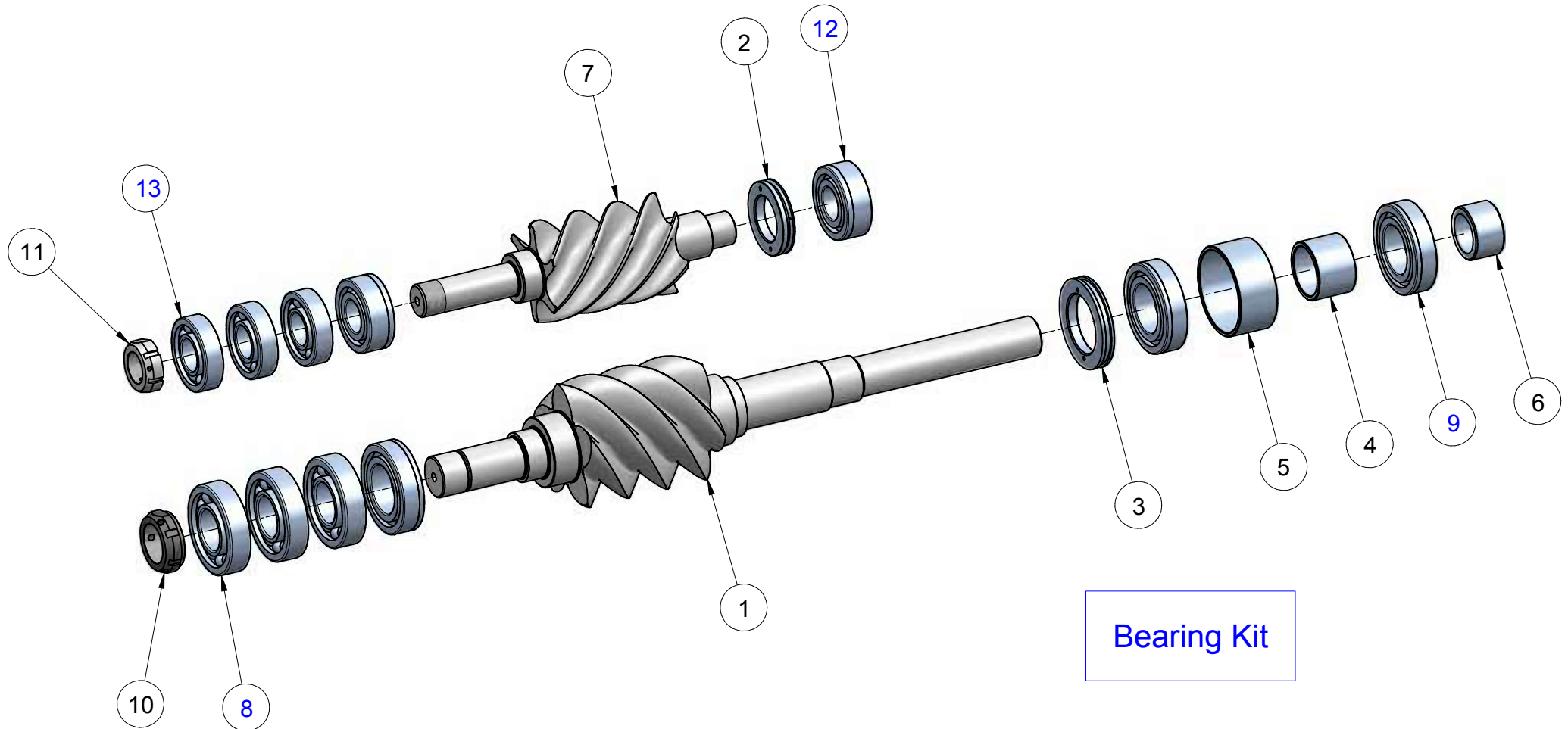
ATTENZIONE: il presente disegno è di esclusiva proprietà REFCOMP.
E' fatto divieto di riproduzione e di divulgazione anche parziale secondo
quanto regolato dalle norme vigenti.

ATTENTION: the present drawing is exclusively ownership of REFCOMP.
Is forbidden to reproduce and to disclose, even if partially, the present
document in conformity to law regulation in force.

Pos	Code	Description	Serial number	Note	Q.ty
1	500261	Tee-piece union 1/8"NPT-1/4"-1/4"SAE			1
3	503335	3/8"NPT oil discharge valve assembly			1
2	503445	Safety valve 22bar			2
4	514660	Key 16x10x38			1
5	517220	Stator fixing screw			1
6	519377	Compressor supporting plate			1
7	519419	Compressor supporting plate			1
8	520664	Aluminium ring Ø28.6xØ31.8x2			2
9	534305	Rotor housing			1
10	540711	M6 nozzle Ø1.5			2
11	540760	Capillary Ø2.4xØ1.1 screw M8			1
30	580330	Crankcase heater 230V 200W Ø10			1
12	610050	Plug 1/4"NPT			1
13	610680	Plug 1/8"NPT			1
14	611120	Screw M6x16			2
15	612480	Eyebolt M12			1
16	613710	Eyebolt M16			1
17	613830	Plug M26x1.5			1
18	613840	Aluminium washer Ø26.5xØ32x1.5			1
19	614552	Screw M14x16			1
20	614559	Screw M16x25			4
21	614576	Key 12x8x90			1
22	640631	Straight connection 1/2"NPT-5/8"SAE			2
23	640633	Nut 5/8"SAE-16			2
24	640639	Cooper cap 5/8"SAE			2
25	640650	Copper washer Ø14xØ22x1.5			1
26	680030	Copper washer Ø16x22x1.5			1
27	691030	O-ring OR144			2
28	691137	Plastic plug MP85-18			3
29	700210	Sight glass cover 1"1/8-18UNEF			2

134-S-071/081/091/101 Rotor housing

www.refcomp.it
spareparts@refcomp.it



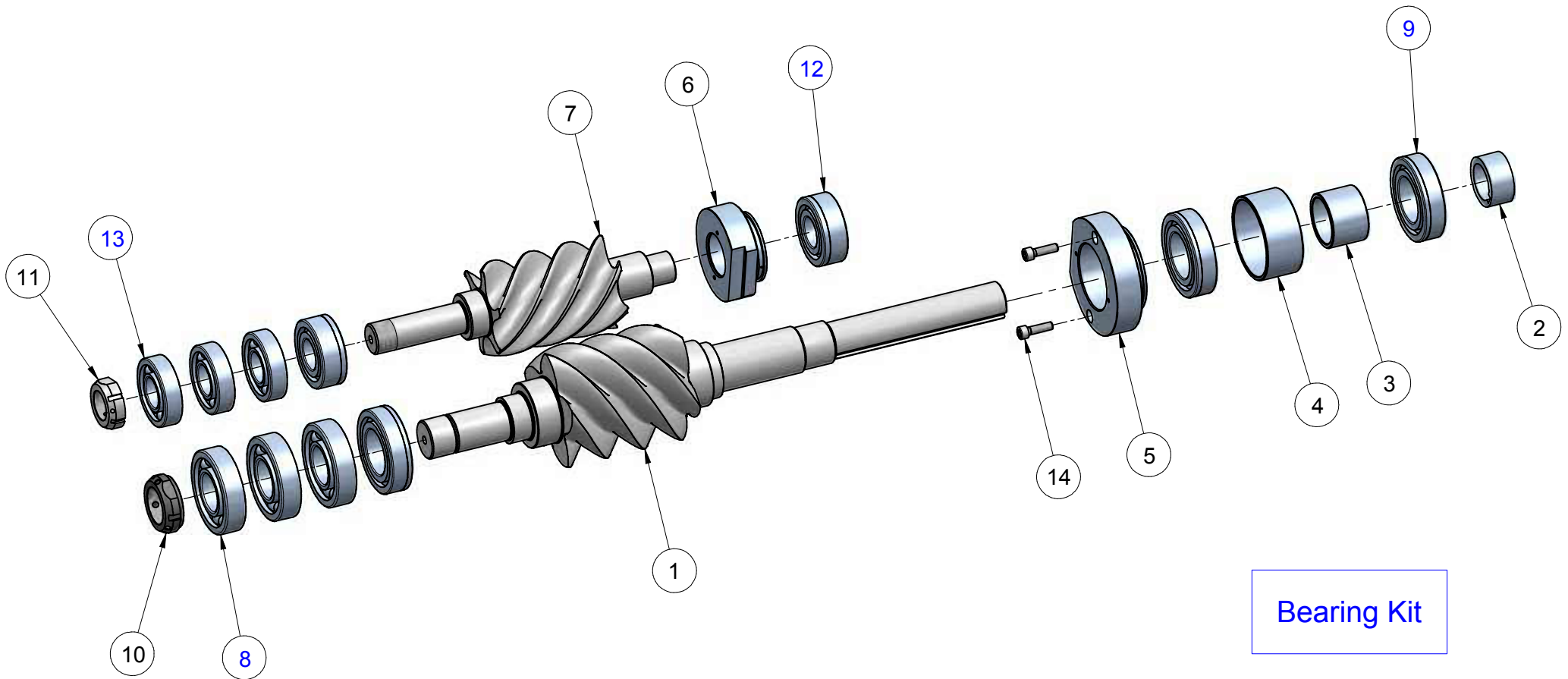
134-S-071 Rotor

ATTENZIONE: il presente disegno è di esclusiva proprietà REFCOMP. E' fatto divieto di riproduzione e di divulgazione anche parziale secondo quanto regolato dalle norme vigenti.

ATTENTION: the present drawing is exclusively ownership of REFCOMP. Is forbidden to reproduce and to disclose, even if partially, the present document in conformity to law regulation in force.

Pos	Code	Description	Serial number	Note	Q.ty
Kit	304157	Bearings kit '134-S-071/081/091/101' series			1
1	503380	Male rotor			1
2	519570	Rotor female bush H=16			1
3	519857	Rotor male bush H=16			1
4	519860	Inner spacer bearing			1
5	519861	External spacer bearing			1
6	519951	Electric rotor spacer			1
7	534336	Female rotor			1
8	612360	Ball bearing			3
9	613020	Cylindrical roller bearing			3
10	613890	Block nut M50x1.5			1
11	613990	Block nut M40x1.5			1
12	614000	Cylindrical roller bearing			2
13	614010	Ball bearing			3

Model: 134-S-071_081_091_101

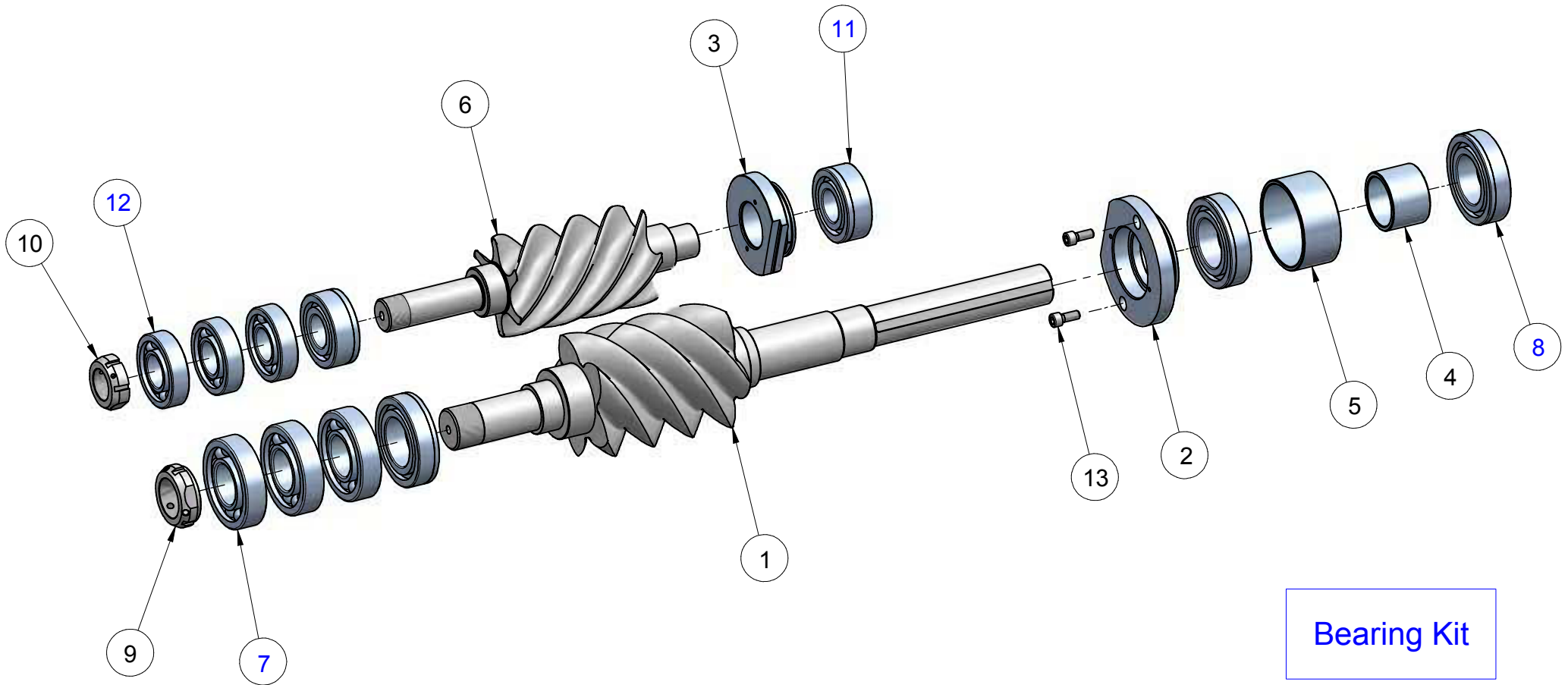


134-S-081 Rotor

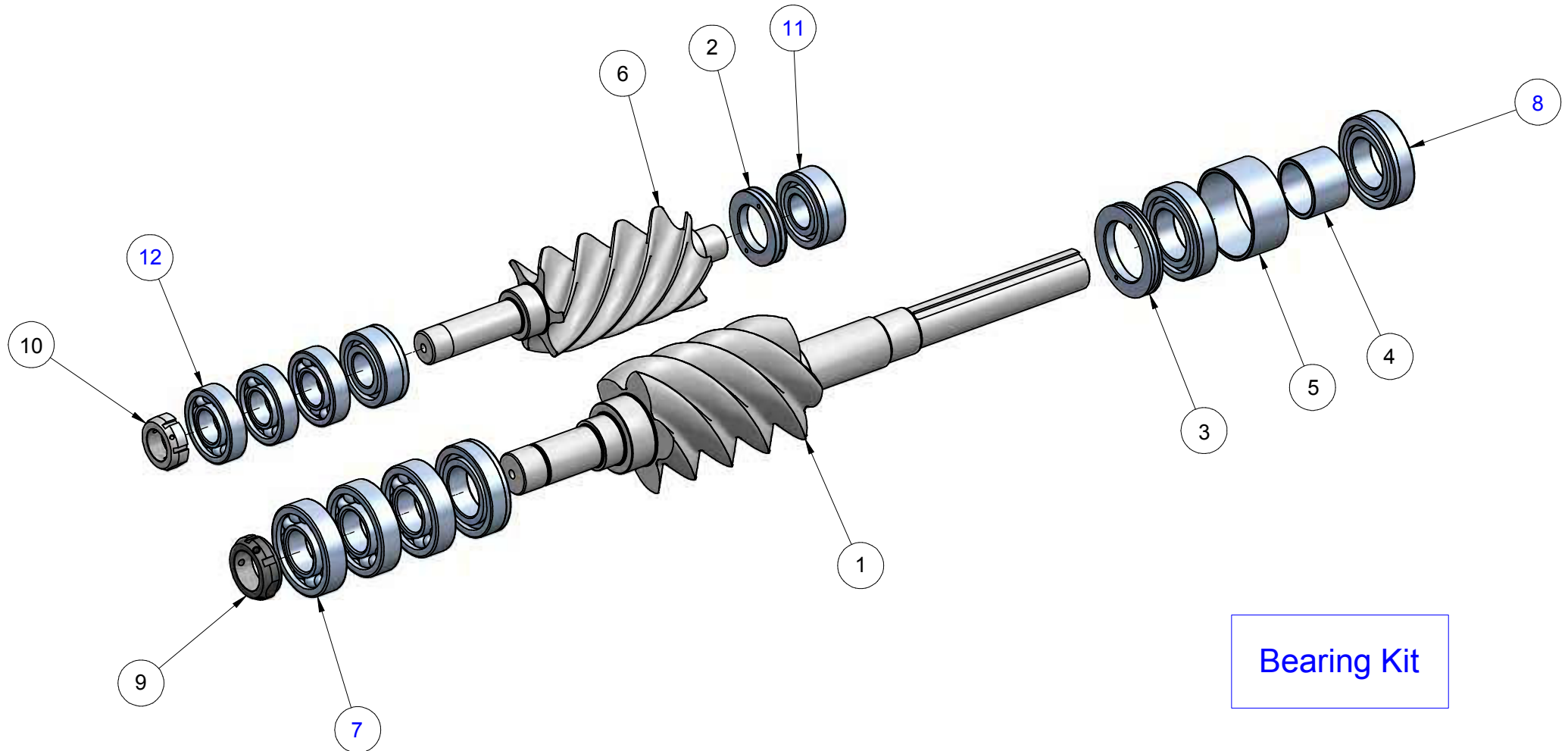
ATTENZIONE: il presente disegno è di esclusiva proprietà REFCOMP. E' fatto divieto di riproduzione e di divulgazione anche parziale secondo quanto regolato dalle norme vigenti.

ATTENTION: the present drawing is exclusively ownership of REFCOMP. Is forbidden to reproduce and to disclose, even if partially, the present document in conformity to law regulation in force.

Pos	Code	Description	Serial number	Note	Q.ty
Kit	304157	Bearings kit '134-S-071/081/091/101' series			1
1	503380	Male rotor			1
2	518130	Electric rotor spacer			1
3	519860	Inner spacer bearing			1
4	519861	External spacer bearing			1
5	519874	Rotor male bush H=51			1
6	519875	Rotor female bush H=51			1
7	534336	Female rotor			1
8	612360	Ball bearing			3
9	613020	Cylindrical roller bearing			3
10	613890	Block nut M50x1.5			1
11	613990	Block nut M40x1.5			1
12	614000	Cylindrical roller bearing			2
13	614010	Ball bearing			3
14	614544	Screw M10x35			2

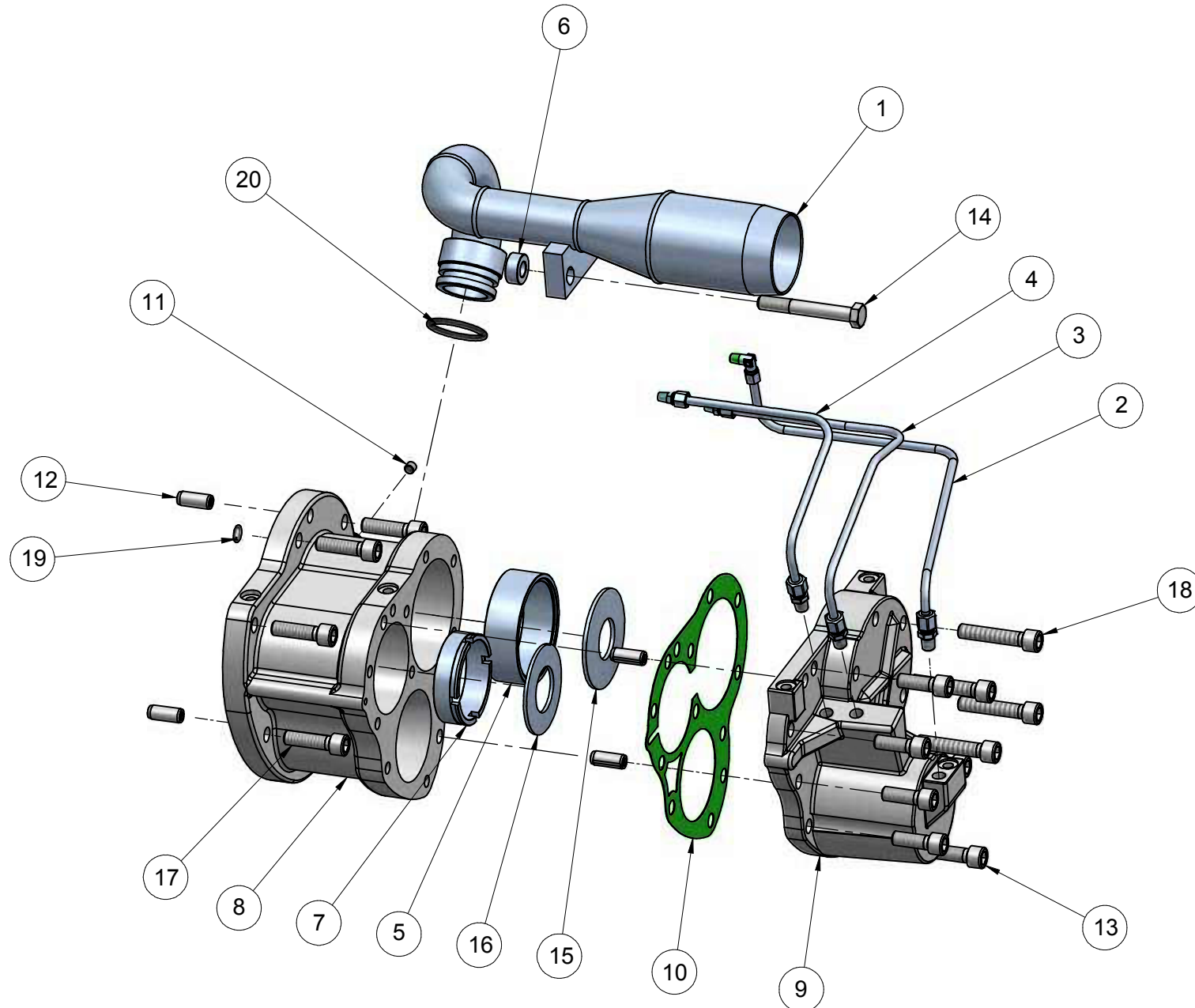


Pos	Code	Description	Serial number	Note	Q.ty
Kit	304157	Bearings kit '134-S-071/081/091/101' series			1
1	503378	Male rotor '134-S-091' series			1
2	519858	Rotor male bush H=36			1
3	519859	Rotor female bush H=36			1
4	519860	Inner spacer bearing			1
5	519861	External spacer bearing			1
6	534309	Female rotor			1
7	612360	Ball bearing			3
8	613020	Cylindrical roller bearing			3
9	613890	Block nut M50x1.5			1
10	613990	Block nut M40x1.5			1
11	614000	Cylindrical roller bearing			2
12	614010	Ball bearing			3
13	614670	Screw M10x25			2



Bearing Kit

Pos	Code	Description	Serial number	Note	Q.ty
Kit	304157	Bearings kit '134-S-071/081/091/101' series			1
1	503362	Male rotor '134-S-101' series			1
2	519570	Rotor female bush H=16			1
3	519857	Rotor male bush H=16			1
4	519860	Inner spacer bearing			1
5	519861	External spacer bearing			1
6	534306	Female rotor			1
7	612360	Ball bearing			3
8	613020	Cylindrical roller bearing			3
9	613890	Block nut M50x1.5			1
10	613990	Block nut M40x1.5			1
11	614000	Cylindrical roller bearing			2
12	614010	Ball bearing			3



Bearing housing + bearing housing cover

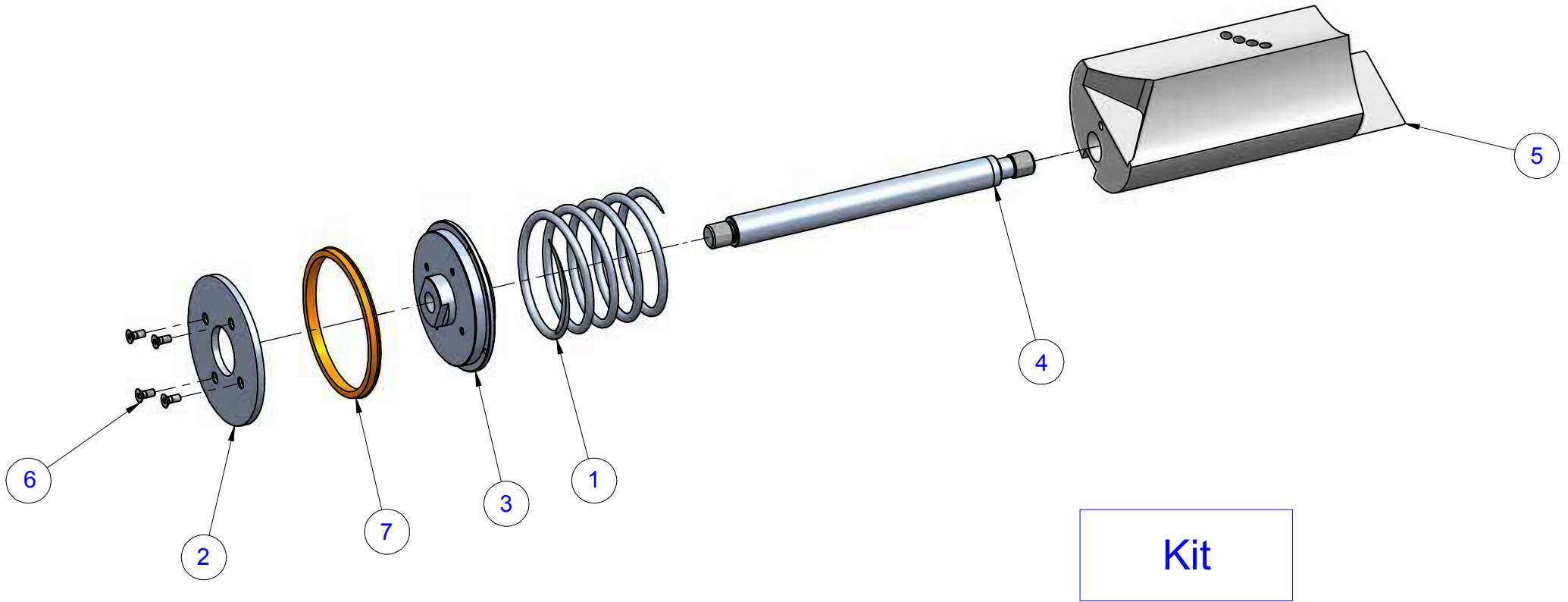
ATTENZIONE: il presente disegno è di esclusiva proprietà REFCOMP. E' fatto divieto di riproduzione e di divulgazione anche parziale secondo quanto regolato dalle norme vigenti.

ATTENTION: the present drawing is exclusively ownership of REFCOMP. Is forbidden to reproduce and to disclose, even if partially, the present document in conformity to law regulation in force.

Pos	Code	Description	Serial number	Note	Q.ty
1	503033	Discharge oil pipe			1
2	503067	Slide valve pipe assembly 25%			1
3	503068	Slide valve pipe assembly 50%			1
4	503069	Slide valve pipe assembly 75%			1
3	503405	Slide valve pipe assembly 50%			1
4	503406	Slide valve pipe assembly 75%			1
5	519385	Spacer stationary rotor Ø110.5x32			1
6	519475	Spacer Ø15xØ30x13			1
7	519873	Female rotor spacer			1
8	534310	Bearing housing			1
9	534333	Bearing housing cover			1
9	534352	Bearing housing			1
10	592774	Bearing housing cover gasket			1
11	610680	Plug 1/8"NPT			1
12	611940	Cylindrical pin Ø14x35			4
13	612260	Screw M14x40			6
14	612800	Screw M14x100			2
15	613740	Conical spring Ø41xØ100x4			1
16	613810	Conical spring Ø46xØ90x3.5			1
17	614506	Screw M14x50			6
18	614565	Screw M10x70			4
19	691081	O-ring OR115			1
20	691142	Gasket			1

Bearing housing + bearing housing cover

www.refcomp.it
spareparts@refcomp.it



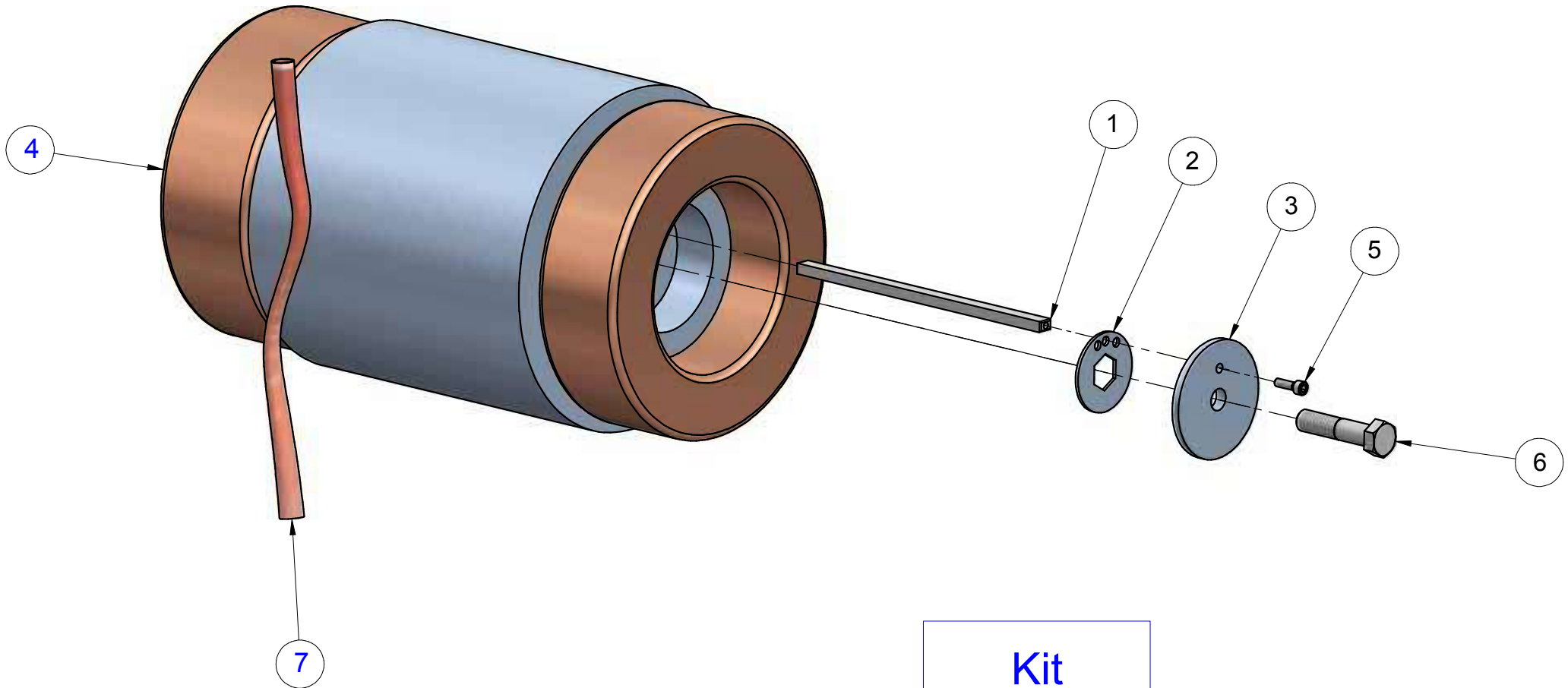
Slide valve

ATTENZIONE: il presente disegno è di esclusiva proprietà REFCOMP. E' fatto divieto di riproduzione e di divulgazione anche parziale secondo quanto regolato dalle norme vigenti.

ATTENTION: the present drawing is exclusively ownership of REFCOMP. Is forbidden to reproduce and to disclose, even if partialy, the present document in conformity to law regulation in force.

Pos	Code	Description	Serial number	Note	Q.ty
Kit	304161	Slide valve kit Vi=3.2			1
Kit	304162	Slide valve kit Vi=3.2			1
Kit	304163	Slide valve kit			1
Kit	304164	Slide valve kit Vi=3.2			1
1	514690	Spring slide valve			1
2	514800	Front part control piston			1
3	518930	Control piston Ø90			1
4	519189	Control piston rod L=172			1
5	534329	Slide valve			1
5	534330	Slide valve Vi=3.2			1
5	534337	Slide valve Vi=3.2			1
5	534338	Slide valve Vi=3.2			1
5	534346	Slide valve Vi=2.6			1
5	534353	Slide valve Vi=2.6			1
5	534365	Slide valve Vi=2.2			1
5	534366	Slide valve Vi=2.2			1
5	534367	Slide valve Vi=2.2			1
5	534368	Slide valve Vi=2.2			1
5	534375	Slide valve Vi=2.6			1
5	534410	Slide valve Vi=4.4			1
6	612980	Screw M4x10			4
7	691140	Gasket			1
Kit	304191				1
Kit	304192				1
Kit	304193				1
Kit	304194				1
5	534610				1
5	534629				1
5	534630				1
5	534637				1
5	534638				1
5	534646				1
5	534653				1
5	534665				1
5	534666				1
5	534667				1
5	534668				1
5	534675				1

Slide valve

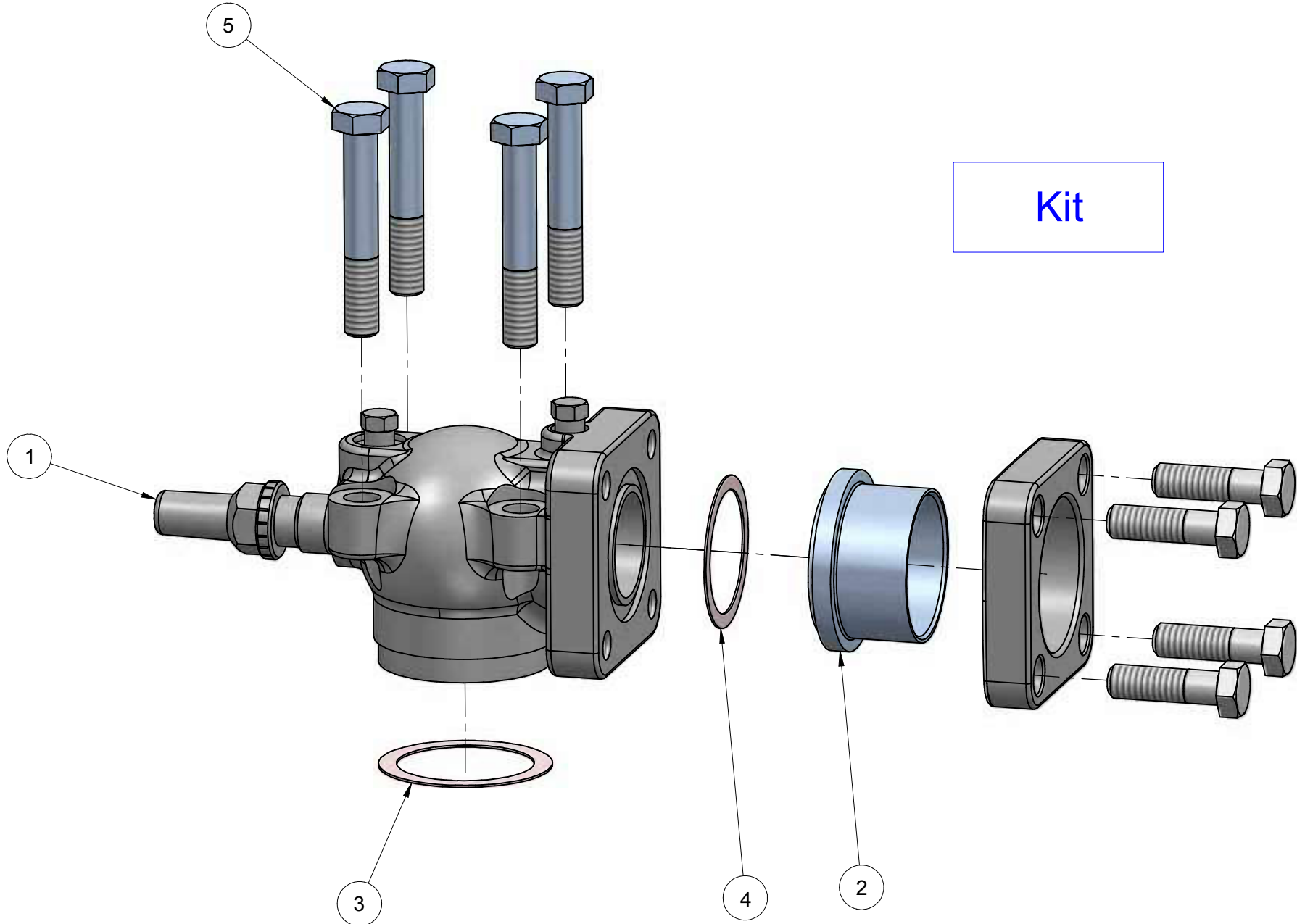


Electrical motor

ATTENZIONE: il presente disegno è di esclusiva proprietà REFCOMP. E' fatto divieto di riproduzione e di divulgazione anche parziale secondo quanto regolato dalle norme vigenti.

ATTENTION: the present drawing is exclusively ownership of REFCOMP. Is forbidden to reproduce and to disclose, even if partialy, the present document in conformity to law regulation in force.

Pos	Code	Description	Serial number	Note	Q.ty
Kit	303753	Electric motor kit 400V/3/50Hz PW			1
Kit	303754	Electric motor kit 400V/3/50Hz PW			1
Kit	303755	Electric motor kit 400V/3/50Hz Y/D			1
Kit	303756	Electric motor kit 400V/3/50Hz Y/D			1
Kit	303757	Electric motor kit 400V/3/50Hz PW			1
Kit	303758	Electric motor kit 400V/3/50Hz Y/D			1
Kit	304159	Electric motor kit 400V/3/50Hz PW			1
Kit	304160	Electric motor kit 400V/3/50Hz Y/D			1
1	518960	Key 12x8x235			1
2	519074	Anti-rotation washer			1
3	519333	Rotor fixing washer			1
4	580640	Electric motor 400V/3/50Hz PW			1
4	580650	Electric motor 400V/3/50Hz PW			1
4	580660	Electric motor 400V/3/50Hz PW			1
4	580950	Electric motor 400V/3/50Hz PW			1
4	581300	Electric motor 400V/3/50Hz Y/D			1
4	581310	Electric motor 400V/3/50Hz Y/D			1
4	581330	Electric motor 400V/3/50Hz PW			1
4	581950	Electric motor 400V/3/50Hz Y/D			1
4	582060	Electric motor 400V/3/50Hz Y/D			1
4	583441	Electric motor 400V/3/50Hz Y/D			1
5	612630	Screw M6x20			1
6	614140	Screw M16x70			1
7	690240	Shrink sleeve Ø18			1



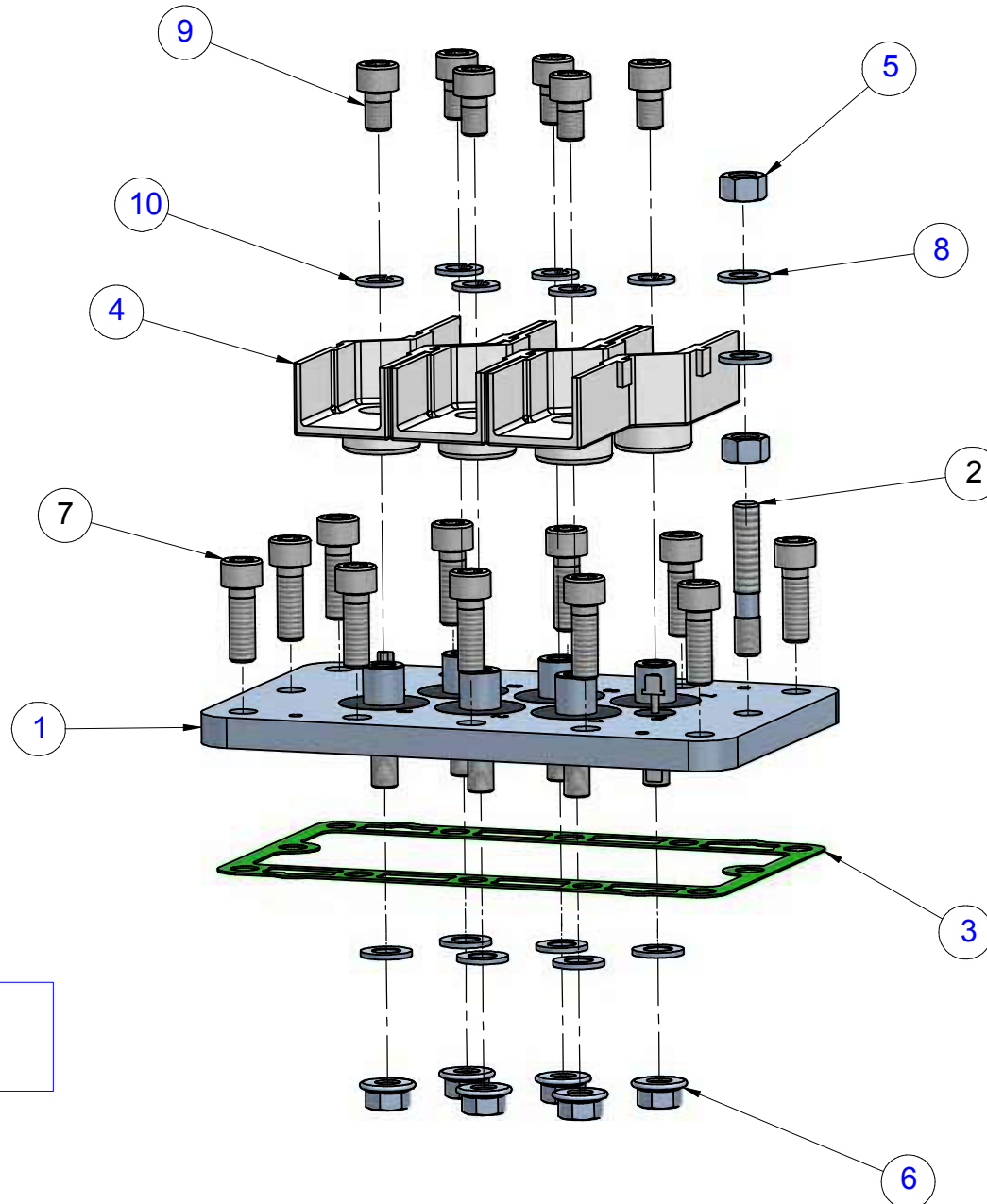
Discharge shut-off valve

ATTENZIONE: il presente disegno è di esclusiva proprietà REFCOMP. E' fatto divieto di riproduzione e di divulgazione anche parziale secondo quanto regolato dalle norme vigenti.

ATTENTION: the present drawing is exclusively ownership of REFCOMP. Is forbidden to reproduce and to disclose, even if partialy, the present document in conformity to law regulation in force.

Pos	Code	Description	Serial number	Note	Q.ty
Kit	303972	Shut-off valve kit l=78 Ø42			1
Kit	303973	Shut-off valve kit l=78 Ø54		Standard Kit	1
Kit	304011	Shut-off valve kit l=78 Ø67			1
1	500190	Shut-off valve l=78			1
2	513470	Bush Ø54		Standard	1
2	513480	Bush Ø67			1
2	514020	Bush Ø42			1
2	519429	Bush Ø35			1
3	590260	Shut-off valve gasket Ø65xØ82x1			1
4	591120	Shut-off valve gasket Ø59xØ72.5x1			1
5	611680	Galvanized screw M16x140			4

Discharge shut-off valve



Kit

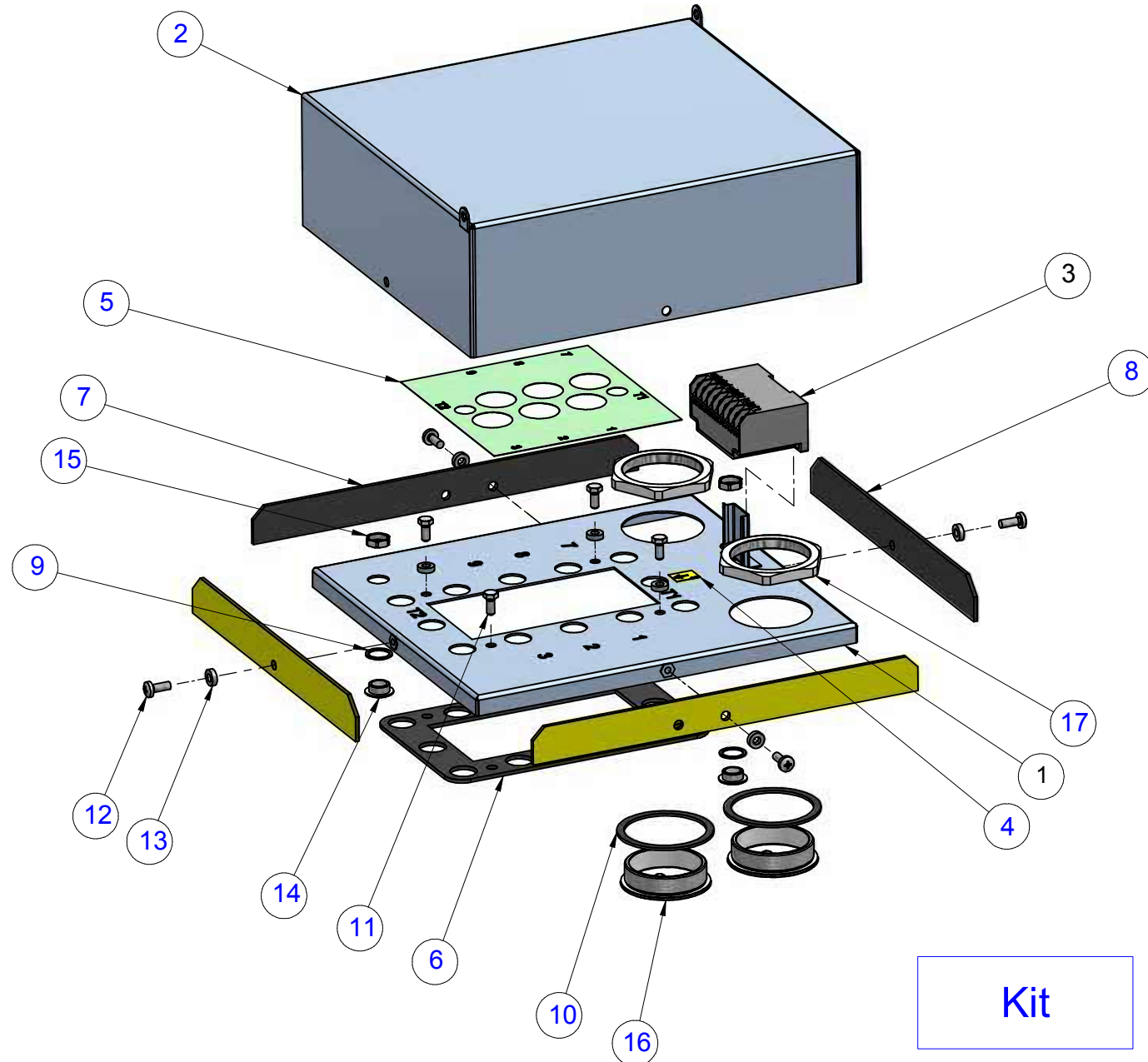
Terminal plate

ATTENZIONE: il presente disegno è di esclusiva proprietà REFCOMP. E' fatto divieto di riproduzione e di divulgazione anche parziale secondo quanto regolato dalle norme vigenti.

ATTENTION: the present drawing is exclusively ownership of REFCOMP. Is forbidden to reproduce and to disclose, even if partially, the present document in conformity to law regulation in force.

Pos	Code	Description	Serial number	Note	Q.ty
Kit	303775	Terminal plate kit '134-S-110/120/140' series			1
1	502190	Terminal plate			1
2	512080	Tie rod M10x60			1
3	592240	Terminal plate gasket			1
4	592787	Double isolator			3
5	610820	Galvanized nut M10			2
6	613250	Klock nut M10 galvanized			6
7	613900	Galvanized screw M10x30			11
8	613910	Plane washer Ø10.5xØ20x2			8
9	613940	Screw M10x16			6
10	613950	Grower washer M10			6

Terminal plate

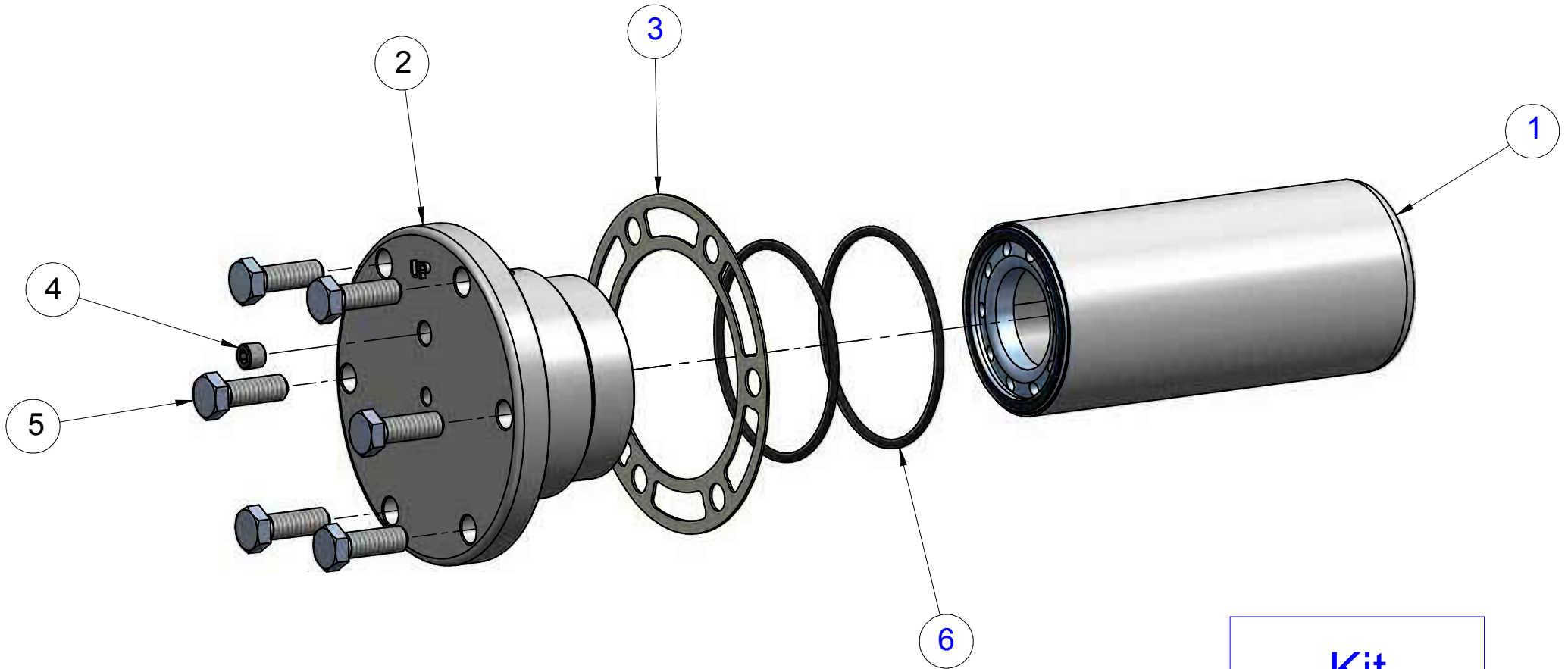


Terminal box

ATTENZIONE: il presente disegno è di esclusiva proprietà REFCOMP. E' fatto divieto di riproduzione e di divulgazione anche parziale secondo quanto regolato dalle norme vigenti.

ATTENTION: the present drawing is exclusively ownership of REFCOMP. Is forbidden to reproduce and to disclose, even if partially, the present document in conformity to law regulation in force.

Pos	Code	Description	Serial number	Note	Q.ty
3	303170	Motor protector kit			1
Kit	303762	Electric box kit '134-S-071/081/091/101' series			1
1	503079	Electric box			1
2	519593	Electric box cover			1
4	585220	Ground label			1
5	592260	Terminal electric scheme			1
6	592270	Terminal box gasket			1
7	592801	Electrical box gasket			2
8	592802	Electrical box gasket short side			2
9	592826	Rubber washer gasket ISO 16			2
10	592830	Rubber washer ISO 63			2
11	611150	Galvanized screw M6x14			4
12	613960	Galvanized screw M6x16			4
13	691107	Rubber washer miniplast MP16-6			7
14	691153	Plastic plug ISO 16			2
15	691154	Plastic nut ISO 16			2
16	691161	Plastic plug ISO 63			2
17	691162	Plastic nut ISO 63			2



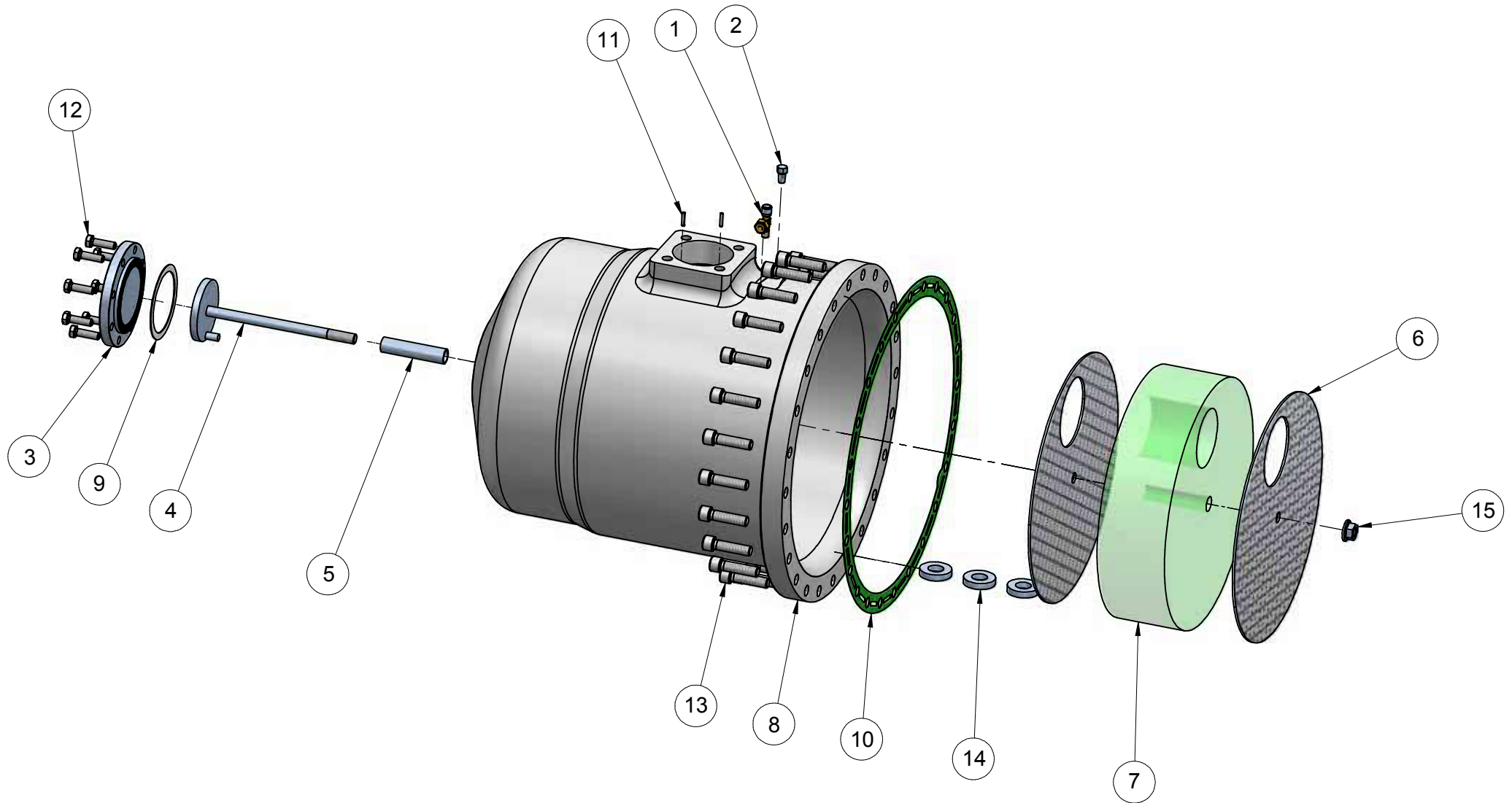
Kit

Oil strainer

ATTENZIONE: il presente disegno è di esclusiva proprietà REFCOMP. E' fatto divieto di riproduzione e di divulgazione anche parziale secondo quanto regolato dalle norme vigenti.

ATTENTION: the present drawing is exclusively ownership of REFCOMP. Is forbidden to reproduce and to disclose, even if partialy, the present document in conformity to law regulation in force.

Pos	Code	Description	Serial number	Note	Q.ty
Kit	303729	Oil filter kit			1
1	502989	Oil filter cartridge			1
2	534355	Oil filter plug			1
3	592800	Oil filter plug gasket			1
4	610680	Plug 1/8"NPT			1
5	611370	Screw M10x30			6
6	690820	O-ring OR4312			2



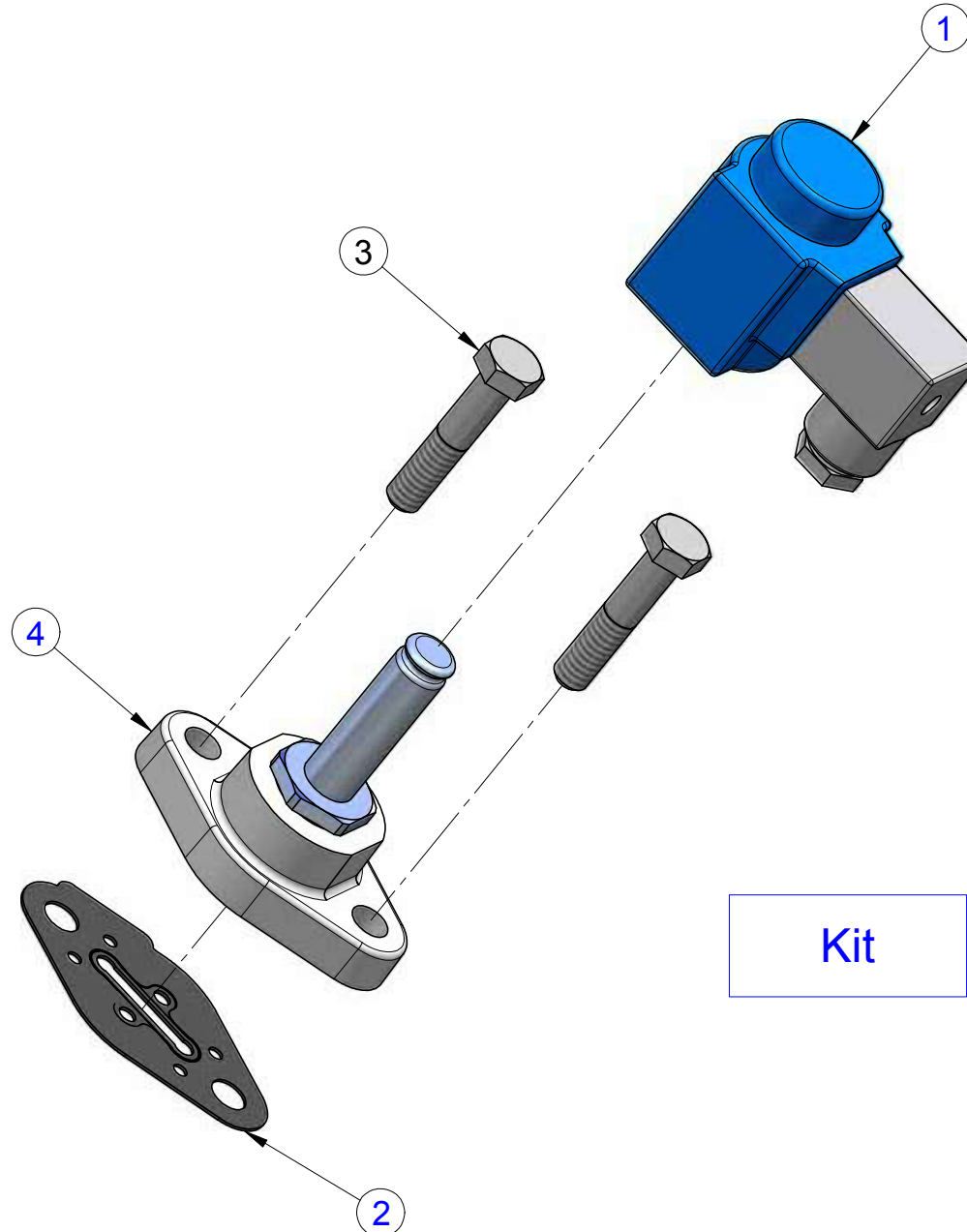
Oil separator

ATTENZIONE: il presente disegno è di esclusiva proprietà REFCOMP. E' fatto divieto di riproduzione e di divulgazione anche parziale secondo quanto regolato dalle norme vigenti.

ATTENTION: the present drawing is exclusively ownership of REFCOMP. Is forbidden to reproduce and to disclose, even if partially, the present document in conformity to law regulation in force.

Pos	Code	Description	Serial number	Note	Q.ty
1	503076	Connection 1/8"NPT-1/4"-1/4"-1/4"SAE			1
2	519143	Plug 1/8" NPT			1
3	519203	High pressure cover plate			1
4	519228	Oil separator tie rod L=234			1
5	519231	Spacer pipe L=93			1
6	519486	Punched metal sheet oil separator			2
7	519487	Demister oil separator			1
8	533830	Oil separator			1
9	590250	Shut-off valve gasket Ø87.5xØ106.8x1			1
10	592230	Oil separator/rotor housing gasket			1
11	611810	Elastic pin Ø4x20			2
12	612150	Galvanized screw M10x35			8
13	612470	Screw M14x55			24
14	612490	Magnet			3
15	614517	Klock nut M14 galvanized			1

Model: 134-S-071_081_091_101



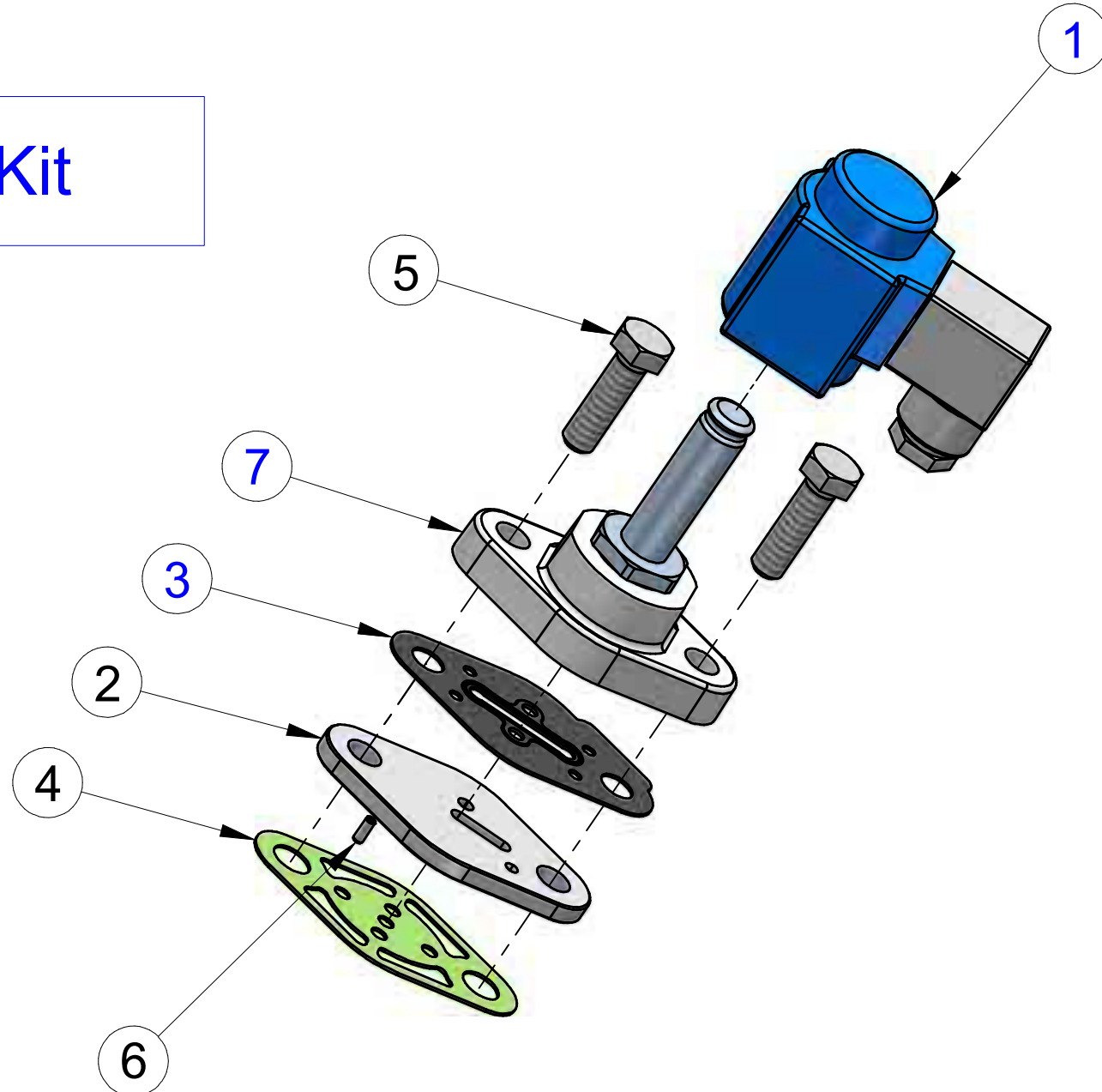
Capacity control solenoid valve

ATTENZIONE: il presente disegno è di esclusiva proprietà REFCOMP.
E' fatto divieto di riproduzione e di divulgazione anche parziale secondo
quanto regolato dalle norme vigenti.

ATTENTION: the present drawing is exclusively ownership of REFCOMP.
Is forbidden to reproduce and to disclose, even if partialy, the present
document in conformity to law regulation in force.

Pos	Code	Description	Serial number	Note	Q.ty
Kit	304123	Solenoid valve kit 230V 50-60Hz R134A			1
1	503330	Coil 230V-50/60Hz			1
2	592731	Solenoid valve gasket l=65			1
3	611370	Screw M10x30			2
4	760450	Solenoid valve			1

Kit

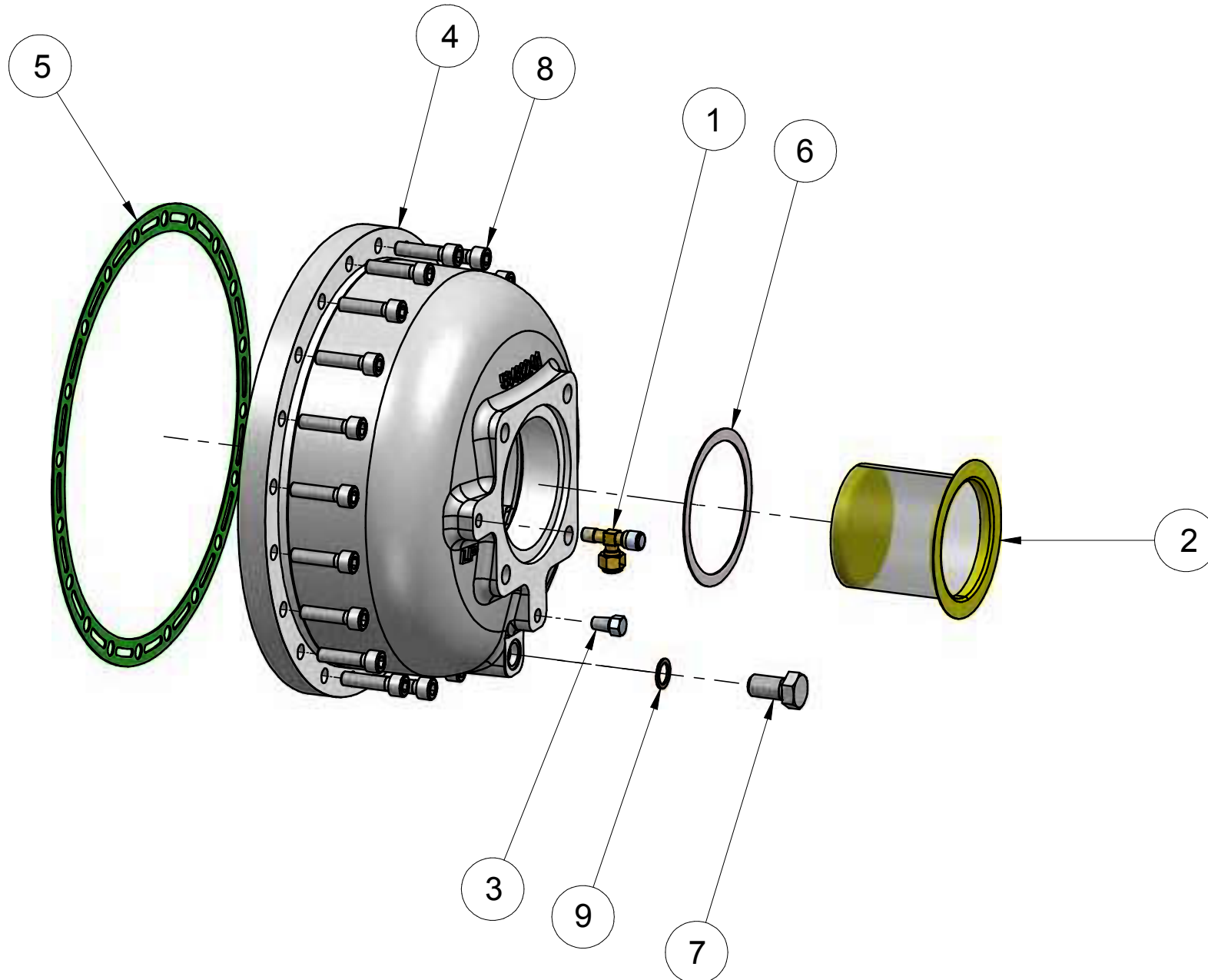


'L4' Capacity control solenoid valve

ATTENZIONE: il presente disegno è di esclusiva proprietà REFCOMP. E' fatto divieto di riproduzione e di divulgazione anche parziale secondo quanto regolato dalle norme vigenti.

ATTENTION: the present drawing is exclusively ownership of REFCOMP. Is forbidden to reproduce and to disclose, even if partialy, the present document in conformity to law regulation in force.

Pos	Code	Description	Serial number	Note	Q.ty
Kit	304123	Solenoid valve kit 230V 50-60Hz R134A			1
1	503330	Coil 230V-50/60Hz			1
2	519422	Capacity control plate 'L4'			1
3	592731	Solenoid valve gasket l=65			1
4	592762	Solenoid valve/plate gasket			1
5	612150	Galvanized screw M10x35			2
6	614566	Elastic pin Ø8x3			1
7	760450	Solenoid valve			1



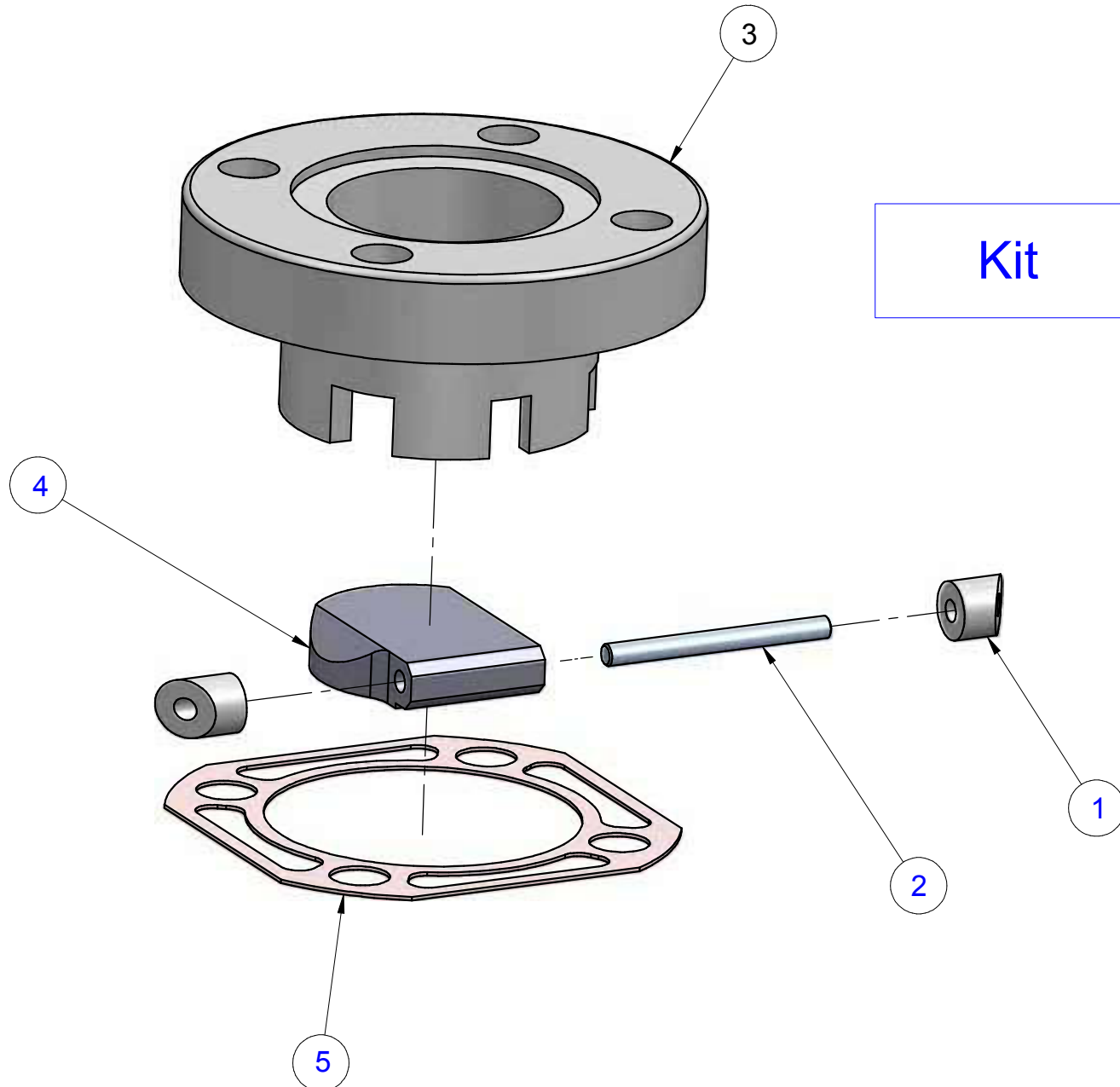
Suction cover

ATTENZIONE: il presente disegno è di esclusiva proprietà REFCOMP. E' fatto divieto di riproduzione e di divulgazione anche parziale secondo quanto regolato dalle norme vigenti.

ATTENTION: the present drawing is exclusively ownership of REFCOMP. Is forbidden to reproduce and to disclose, even if partially, the present document in conformity to law regulation in force.

Pos	Code	Description	Serial number	Note	Q.ty
2	503073	Suction filter			1
1	503076	Connection 1/8"NPT-1/4"-1/4"-1/4"SAE			1
3	519143	Plug 1/8" NPT			1
4	534323	Suction cover			1
5	590750	Suction cover gasket			1
6	591620	Shut-off valve gasket Ø98.5xØ116x1			1
7	614571	Screw M16x30			1
8	614636	Galvanized screw M10x40			20
9	680030	Copper washer Ø16x22x1.5			1

Suction cover

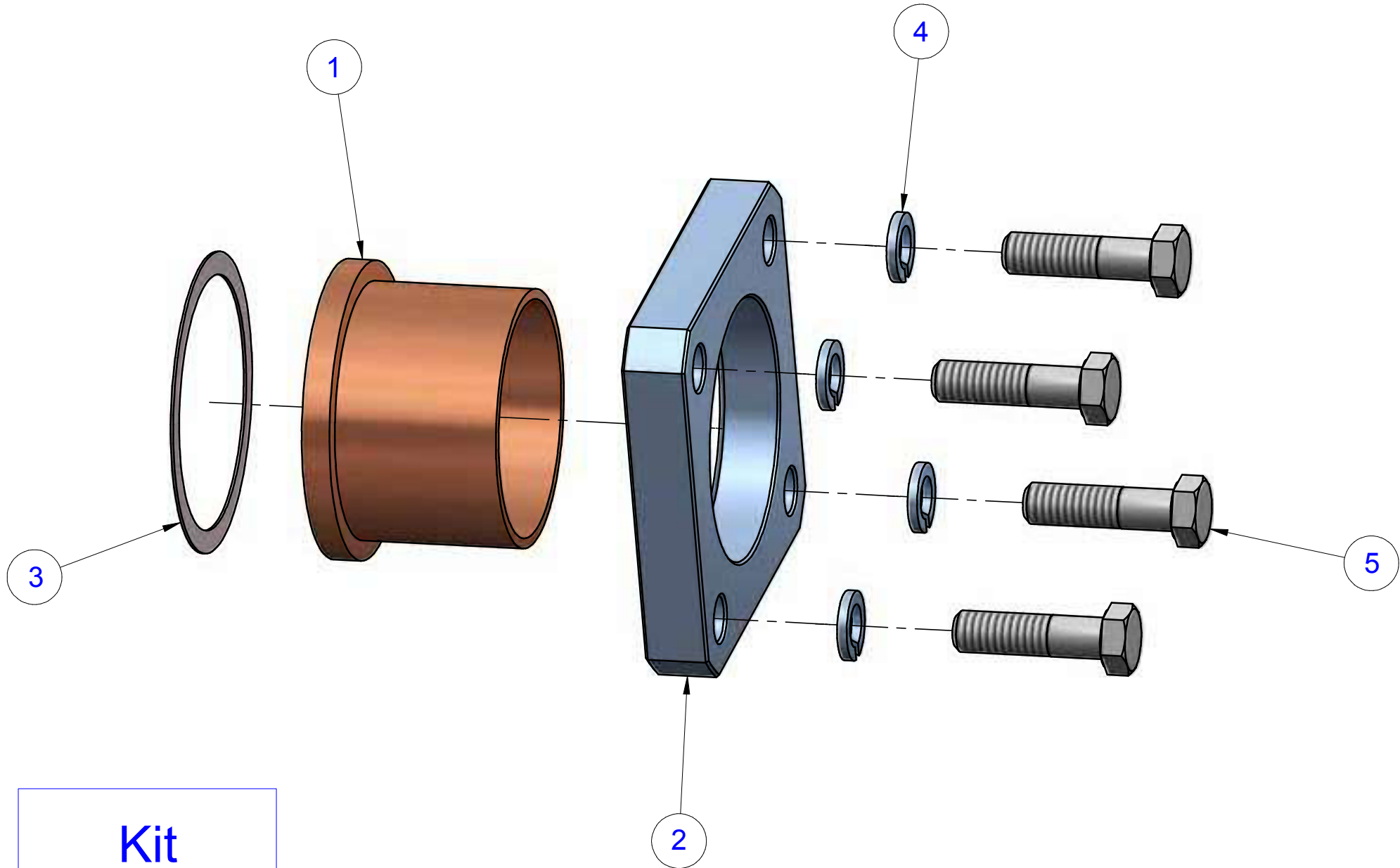


Check valve

ATTENZIONE: il presente disegno è di esclusiva proprietà REFCOMP. E' fatto divieto di riproduzione e di divulgazione anche parziale secondo quanto regolato dalle norme vigenti.

ATTENTION: the present drawing is exclusively ownership of REFCOMP. Is forbidden to reproduce and to disclose, even if partially, the present document in conformity to law regulation in force.

Pos	Code	Description	Serial number	Note	Q.ty
Kit	303589	Check valve bush kit			1
1	517980	Insert			2
2	517990	Lift valve pin			1
3	533963	Check valve bush			1
4	592770	Check valve			1
5	592772	Check valve bush gasket Ø85			1



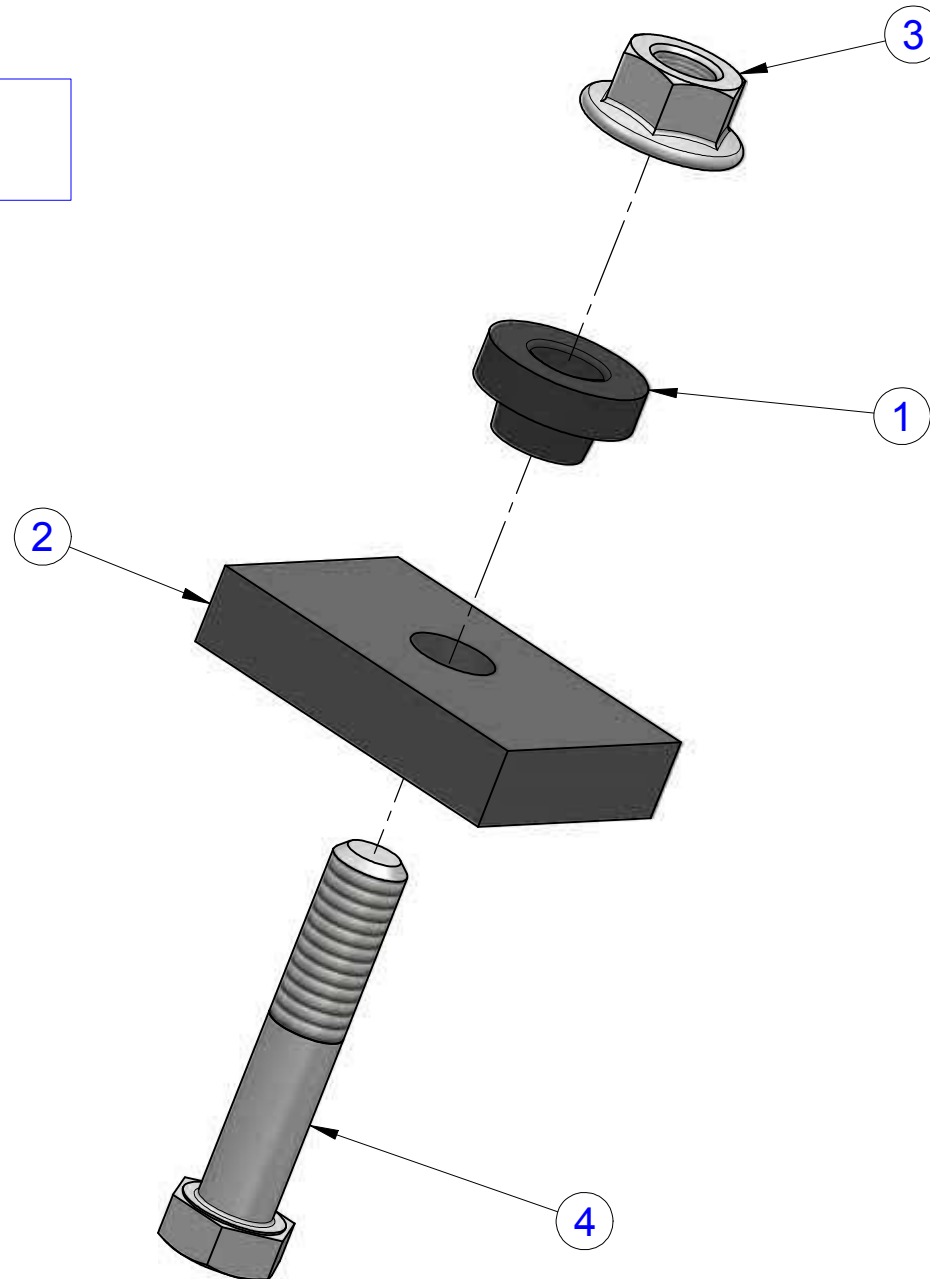
Kit

Suction bush

Pos	Code	Description	Serial number	Note	Q.ty
Kit	304174	Flange + bush kit Ø67			1
Kit	304175	Flange + bush kit Ø80			1
Kit	304176	Flange + bush kit Ø92			1
1	513500	Bush Ø92			1
2	513510	Square flange l=108 Ø102			1
1	513910	Bush Ø77			1
1	514330	Bush Ø80			1
1	517880	Bush Ø89			1
1	519256	Bush Ø67			1
3	591620	Shut-off valve gasket Ø98.5xØ116x1			1
4	610940	Galvanized grower washer M16			1
5	611620	Galvanized screw M16x60			1

Model: 134-S-071_081_091_101

Kit



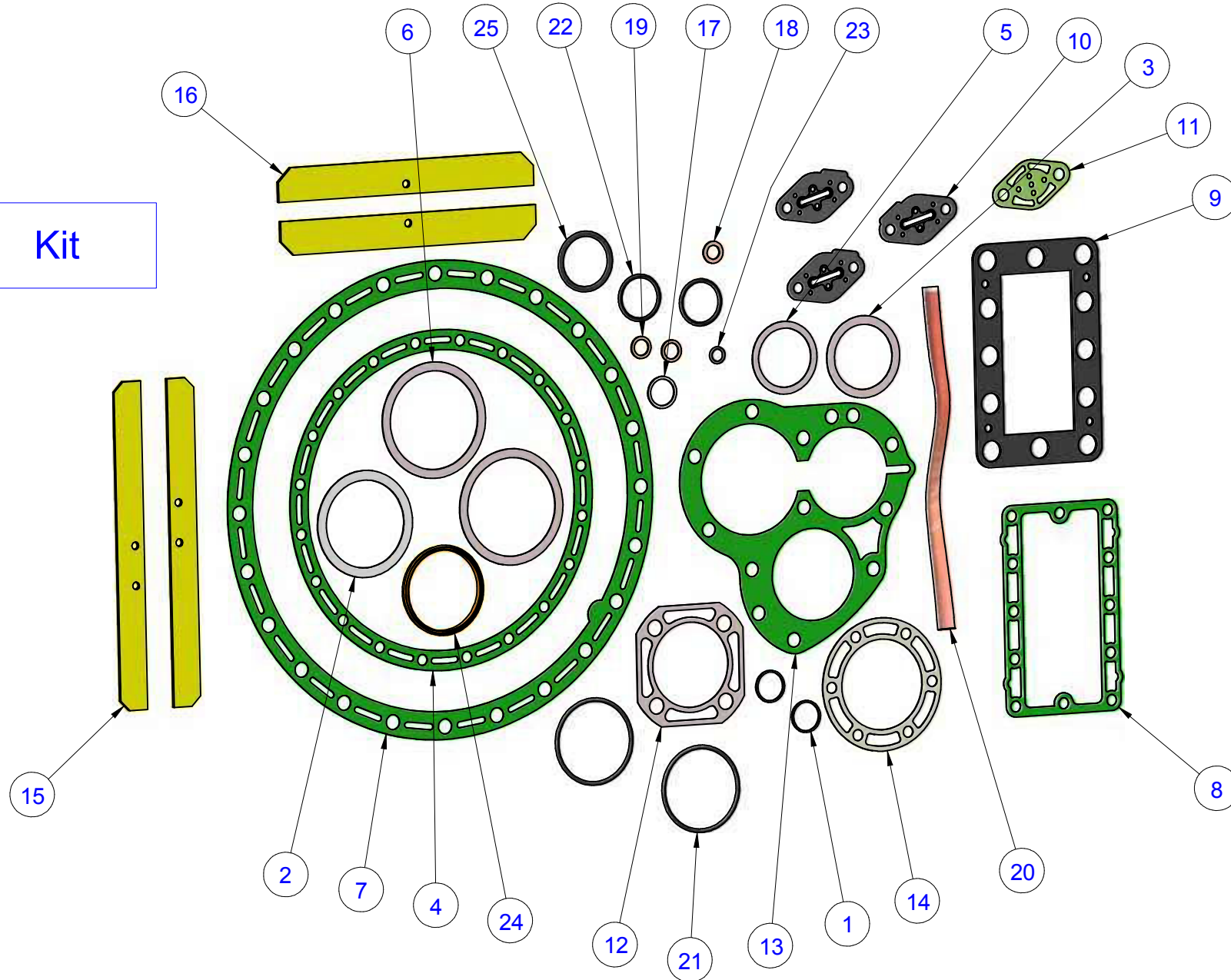
Dumpers

ATTENZIONE: il presente disegno è di esclusiva proprietà REFCOMP. E' fatto divieto di riproduzione e di divulgazione anche parziale secondo quanto regolato dalle norme vigenti.

ATTENTION: the present drawing is exclusively ownership of REFCOMP. Is forbidden to reproduce and to disclose, even if partialy, the present document in conformity to law regulation in force.

Pos	Code	Description	Serial number	Note	Q.ty
Kit	303243	Rubber dumpers kit			1
1	592742	Dumper bush			1
2	592749	Dumper (60°sh)			1
3	614517	Klock nut M14 galvanized			1
4	614525	Galvanized screw M14x70			1

Kit

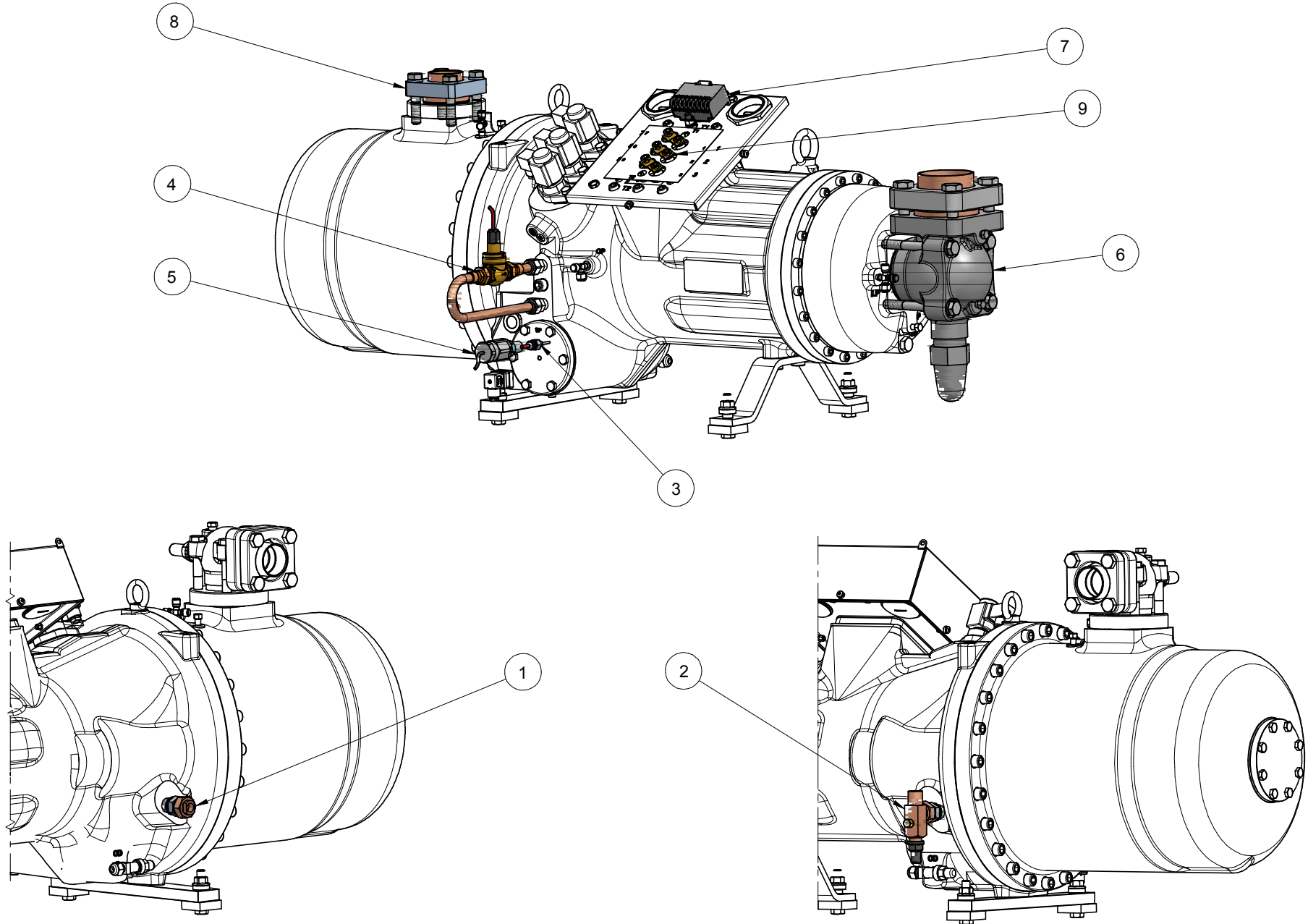


Gaskets

ATTENZIONE: il presente disegno è di esclusiva proprietà REFCOMP. E' fatto divieto di riproduzione e di divulgazione anche parziale secondo quanto regolato dalle norme vigenti.

ATTENTION: the present drawing is exclusively ownership of REFCOMP. Is forbidden to reproduce and to disclose, even if partially, the present document in conformity to law regulation in force.

Pos	Code	Description	Serial number	Note	Q.ty
Kit	303678	Gasket kit			1
1	520664	Aluminium ring Ø28.6xØ31.8x2			2
2	590250	Shut-off valve gasket Ø87.5xØ106.8x1			2
3	590260	Shut-off valve gasket Ø65xØ82x1			2
4	590750	Suction cover gasket			1
5	591120	Shut-off valve gasket Ø59xØ72.5x1			2
6	591620	Shut-off valve gasket Ø98.5xØ116x1			1
7	592230	Oil separator/rotor housing gasket			1
8	592240	Terminal plate gasket			1
9	592270	Terminal box gasket			1
10	592731	Solenoid valve gasket l=65			3
11	592762	Solenoid valve/plate gasket			1
12	592772	Check valve bush gasket Ø85			1
13	592774	Bearing housing cover gasket			1
14	592800	Oil filter plug gasket			1
15	592801	Electrical box gasket			2
16	592802	Electrical box gasket short side			2
17	613840	Aluminium washer Ø26.5xØ32x1.5			1
18	640650	Copper washer Ø14xØ22x1.5			1
19	680030	Copper washer Ø16x22x1.5			2
20	690240	Shrink sleeve Ø18			1
21	690820	O-ring OR4312			2
22	691030	O-ring OR144			2
23	691081	O-ring OR115			2
24	691140	Gasket			1
25	691142	Gasket			1



Optional

ATTENZIONE: il presente disegno è di esclusiva proprietà REFCOMP.
E' fatto divieto di riproduzione e di divulgazione anche parziale secondo
quanto regolato dalle norme vigenti.

ATTENTION: the present drawing is exclusively ownership of REFCOMP.
Is forbidden to reproduce and to disclose, even if partially, the present
document in conformity to law regulation in force.

Pos	Code	Description	Serial number	Note	Q.ty
1	303134	Liquid injection kit			1
2	303150	ECO shut-off valve kit			1
3	303532	Temperature probe kit 120°C			1
4	303690	Oil flow switch kit without motor protector INT69VS			1
4	303818	Oil flow switch kit with motor protector INT69VS 230V			1
4	304092	Oil flow switch kit with motor protector INT69VS 110V			1
4	304093	Oil flow switch kit with motor protector INT69VS 24V			1
5	303549	Optical level oil kit sensor			1
6	303981	Shut-off valve kit l=108 Ø67			1
6	303554	Shut-off valve kit l=108 Ø77			1
6	303982	Shut-off valve kit l=108 Ø80			1
6	303987	Shut-off valve kit l=108 Ø89			1
6	301550	Shut-off valve kit l=108 Ø92		Standard Kit	1
7	303170	Motor protector kit			1
8	304171	Flange + bush kit Ø54		Standard Kit	1
9	303192	Direct starting kit l=40			1

Optional