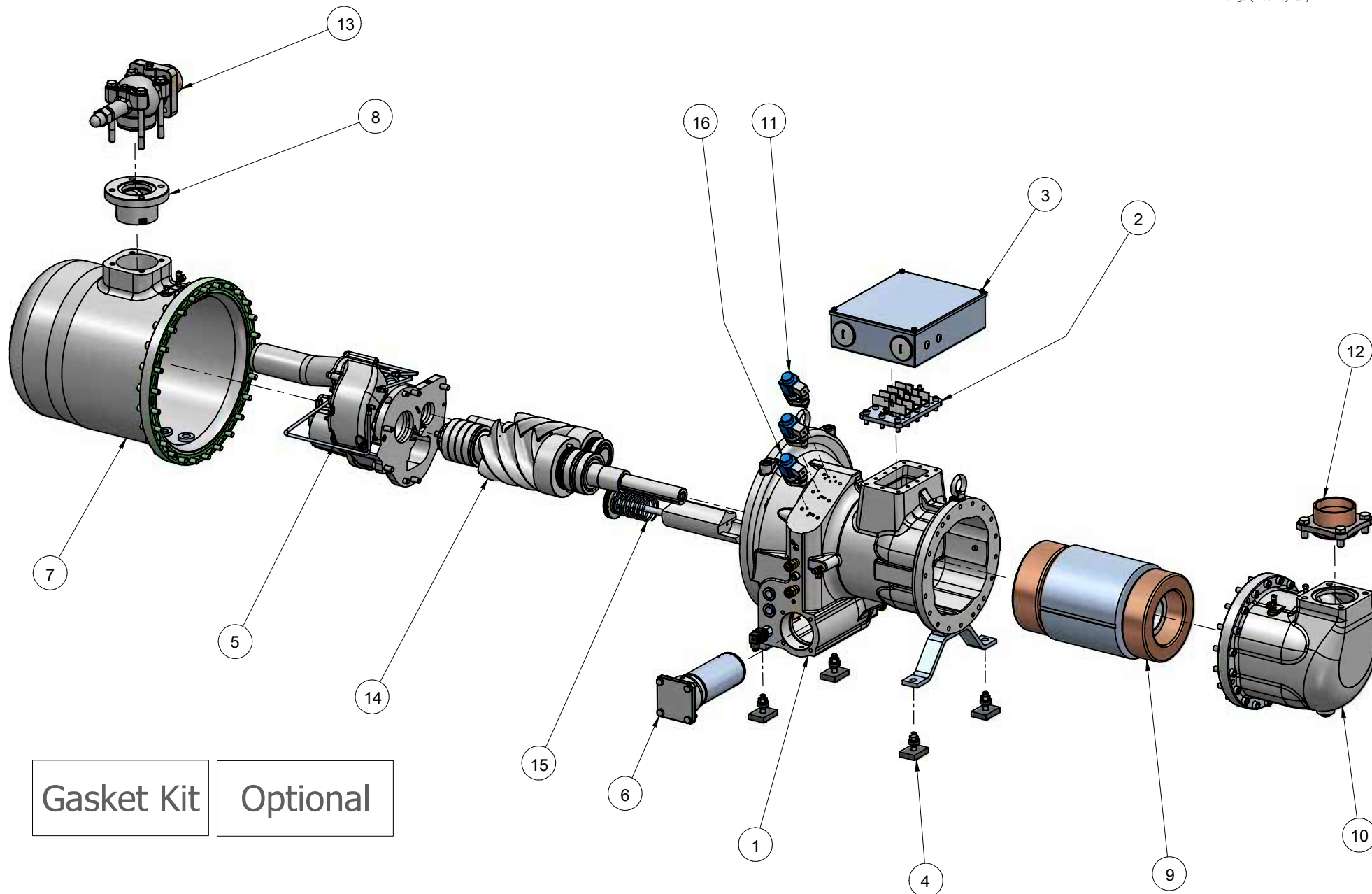


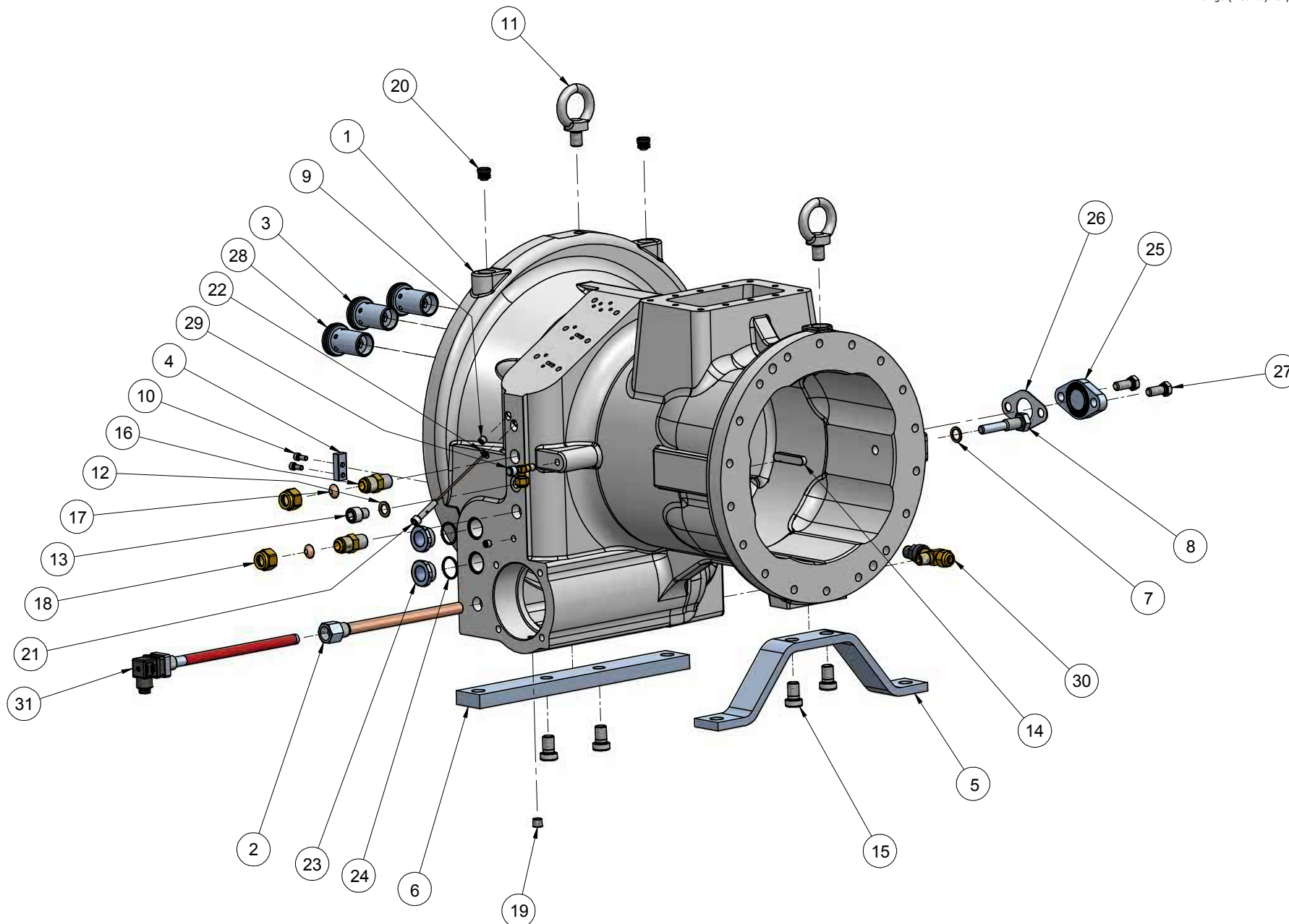
Model: "134-S" Series



134-S-110\_120\_140

ATTENZIONE: il presente disegno è di esclusiva proprietà REFCOMP. E' fatto divieto di riproduzione e di divulgazione anche parziale secondo quanto regolato dalle norme vigenti.

ATTENTION: the present drawing is exclusively ownership of REFCOMP. Is forbidden to reproduce and to disclose, even if partially, the present document in conformity to law regulation in force.



### 134-S-110/120/140 Rotor housing

ATTENZIONE: il presente disegno è di esclusiva proprietà REFCOMP. E' fatto divieto di riproduzione e di divulgazione anche parziale secondo quanto regolato dalle norme vigenti.

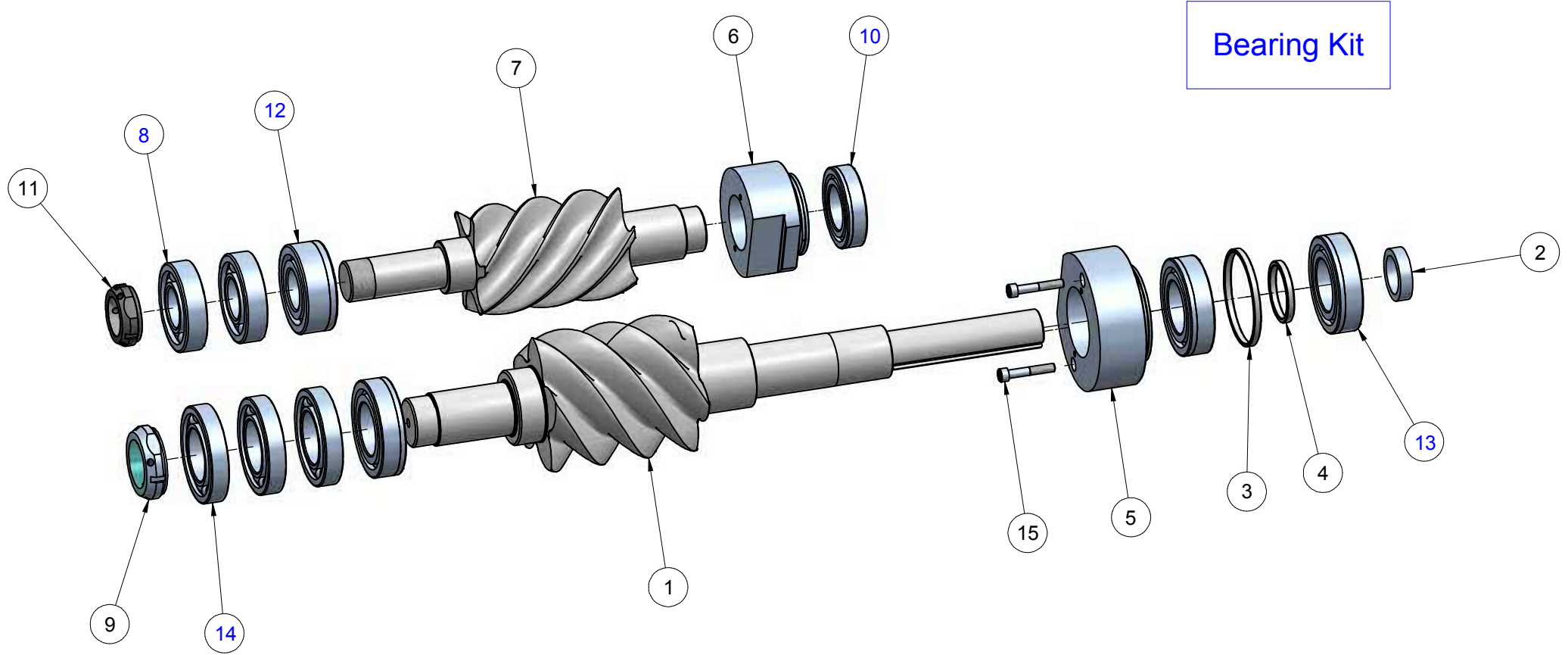
ATTENTION: the present drawing is exclusively ownership of REFCOMP. Is forbidden to reproduce and to disclose, even if partially, the present document in conformity to law regulation in force.

Pos	Code	Description	Serial number	Note	Q.ty
29	500261	Tee-piece union 1/8"NPT-1/4"-1/4"SAE			1
2	501530	Carter heater protector Ø16			1
30	503335	3/8"NPT oil discharge valve assembly			1
28	503445	Safety valve 22bar			3
4	514660	Key 16x10x38			1
25	518270	Closing oval plate l=70			1
5	519419	Compressor supporting plate			1
6	519464	Compressor supporting plate			1
8	519538	Stator fixing screw			1
24	520664	Aluminium ring Ø28.6xØ31.8x2			2
1	533987	Rotor housing			1
21	540730	Capillary Ø2.4xØ1.1 screw M8			1
31	581190	Crankcase heater 230V 200W Ø14			1
26	591030	Oval flange gasket l=70			1
19	610050	Plug 1/4"NPT			1
27	610640	Screw M12x30			2
9	610680	Plug 1/8"NPT			2
10	611120	Screw M6x16			2
11	613710	Eyebolt M16			2
13	614552	Screw M14x16			1
14	614555	Key 12x8x63			1
15	614559	Screw M16x25			4
22	620100	Alluminium plane washer Ø8xØ14x1.5			1
16	640631	Straight connection 1/2"NPT-5/8"SAE			2
18	640633	Nut 5/8"SAE-16			2
17	640639	Cooper cap 5/8"SAE			2
12	640650	Copper washer Ø14xØ22x1.5			1
7	680030	Copper washer Ø16x22x1.5			1
3	691030	O-ring OR144			3
20	691137	Plastic plug MP85-18			2
23	700210	Sight glass cover 1"1/8-18UNEF			2

**134-S-110/120/140 Rotor housing**

[www.refcomp.it](http://www.refcomp.it)  
[spareparts@refcomp.it](mailto:spareparts@refcomp.it)

Model: 134-S-110\_120\_140



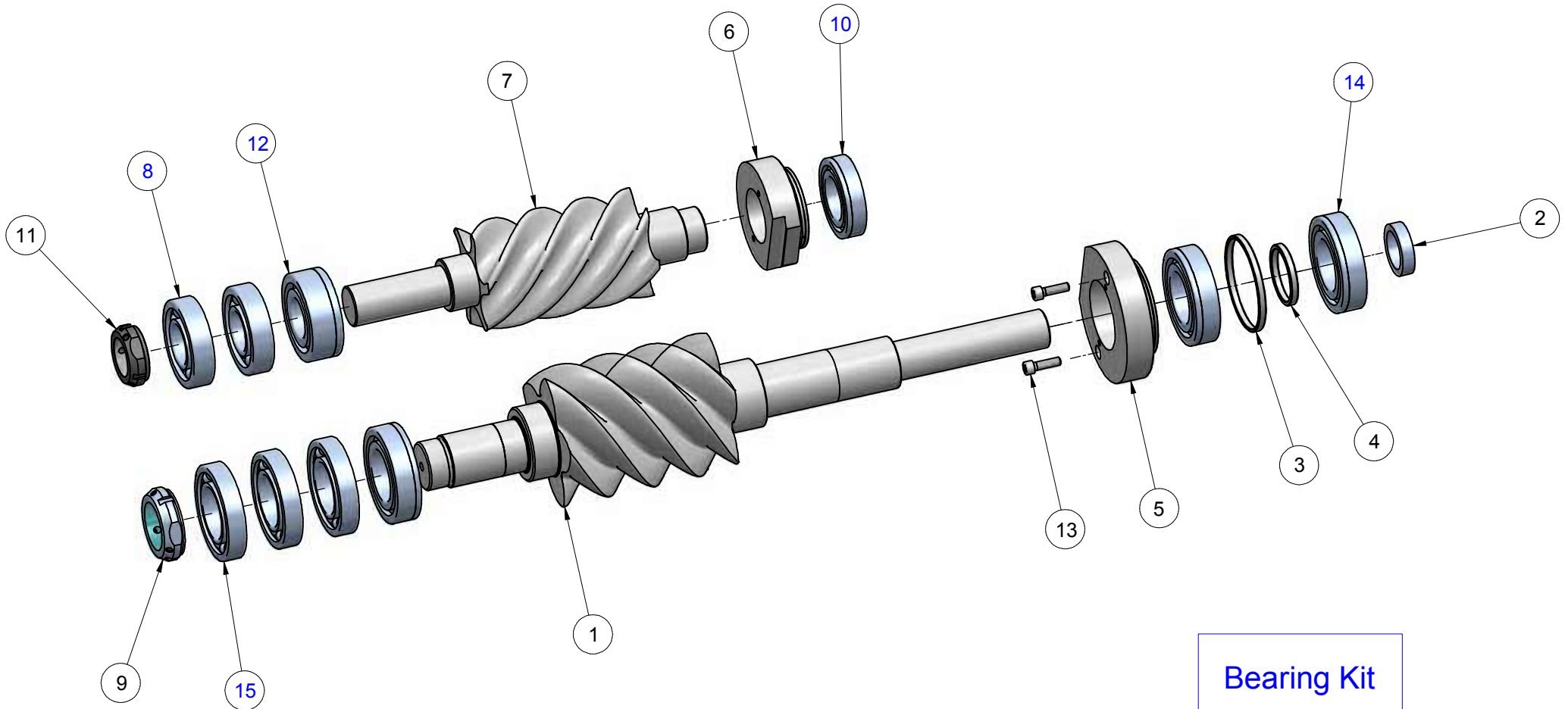
### 134-S-110 Rotor

ATTENZIONE: il presente disegno è di esclusiva proprietà REFCOMP. E' fatto divieto di riproduzione e di divulgazione anche parziale secondo quanto regolato dalle norme vigenti.

ATTENTION: the present drawing is exclusively ownership of REFCOMP. Is forbidden to reproduce and to disclose, even if partially, the present document in conformity to law regulation in force.

Pos	Code	Description	Serial number	Note	Q.ty
Kit	303591	Bearings kit '134-S-110/120/140' series			1
1	503029	Male rotor '134-S-110' series			1
2	519432	Motor spacer			1
3	519433	Bearing external spacer Ø120x9			1
4	519434	Bearing internal spacer Ø76x9			1
5	519442	Suction bush male rotor '134-S-110' series			1
6	519443	Suction bush female rotor '134-S-110' series			1
7	534029	Female rotor			1
8	612360	Ball bearing			2
9	612730	Block nut M60x2			1
10	613650	Cylindrical roller bearing			1
11	613890	Block nut M50x1.5			1
12	614030	Cylindrical roller bearing			1
13	614553	Cylindrical roller bearing			3
14	614554	Ball bearing			3
15	614570	Screw M10x60			2

Model: 134-S-110\_120\_140



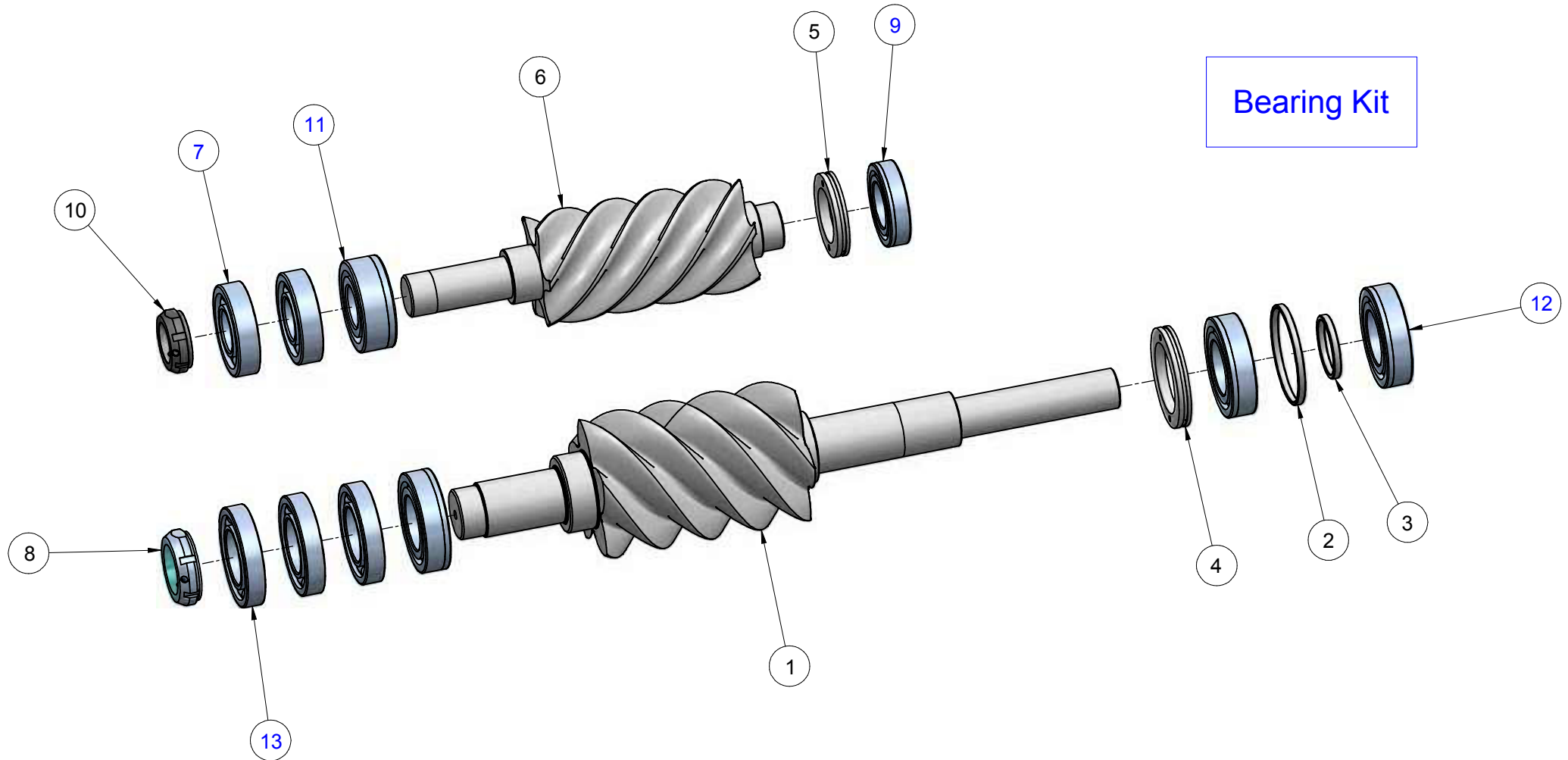
### 134-S-120 Rotor

ATTENZIONE: il presente disegno è di esclusiva proprietà REFCOMP. E' fatto divieto di riproduzione e di divulgazione anche parziale secondo quanto regolato dalle norme vigenti.

ATTENTION: the present drawing is exclusively ownership of REFCOMP. Is forbidden to reproduce and to disclose, even if partially, the present document in conformity to law regulation in force.

Pos	Code	Description	Serial number	Note	Q.ty
Kit	303591	Bearings kit '134-S-110/120/140' series			1
1	503028	Male rotor '134-S-120' series			1
2	519432	Motor spacer			1
3	519433	Bearing external spacer Ø120x9			1
4	519434	Bearing internal spacer Ø76x9			1
5	519440	Suction bush male rotor '134-S-120' series			1
6	519441	Suction bush female rotor '134-S-120' series			1
7	534028	Female rotor '134-S-120' series			1
8	612360	Ball bearing			2
9	612730	Block nut M60x2			1
10	613650	Cylindrical roller bearing			1
11	613890	Block nut M50x1.5			1
12	614030	Cylindrical roller bearing			1
13	614544	Screw M10x35			2
14	614553	Cylindrical roller bearing			3
15	614554	Ball bearing			3

Model: 134-S-110\_120\_140



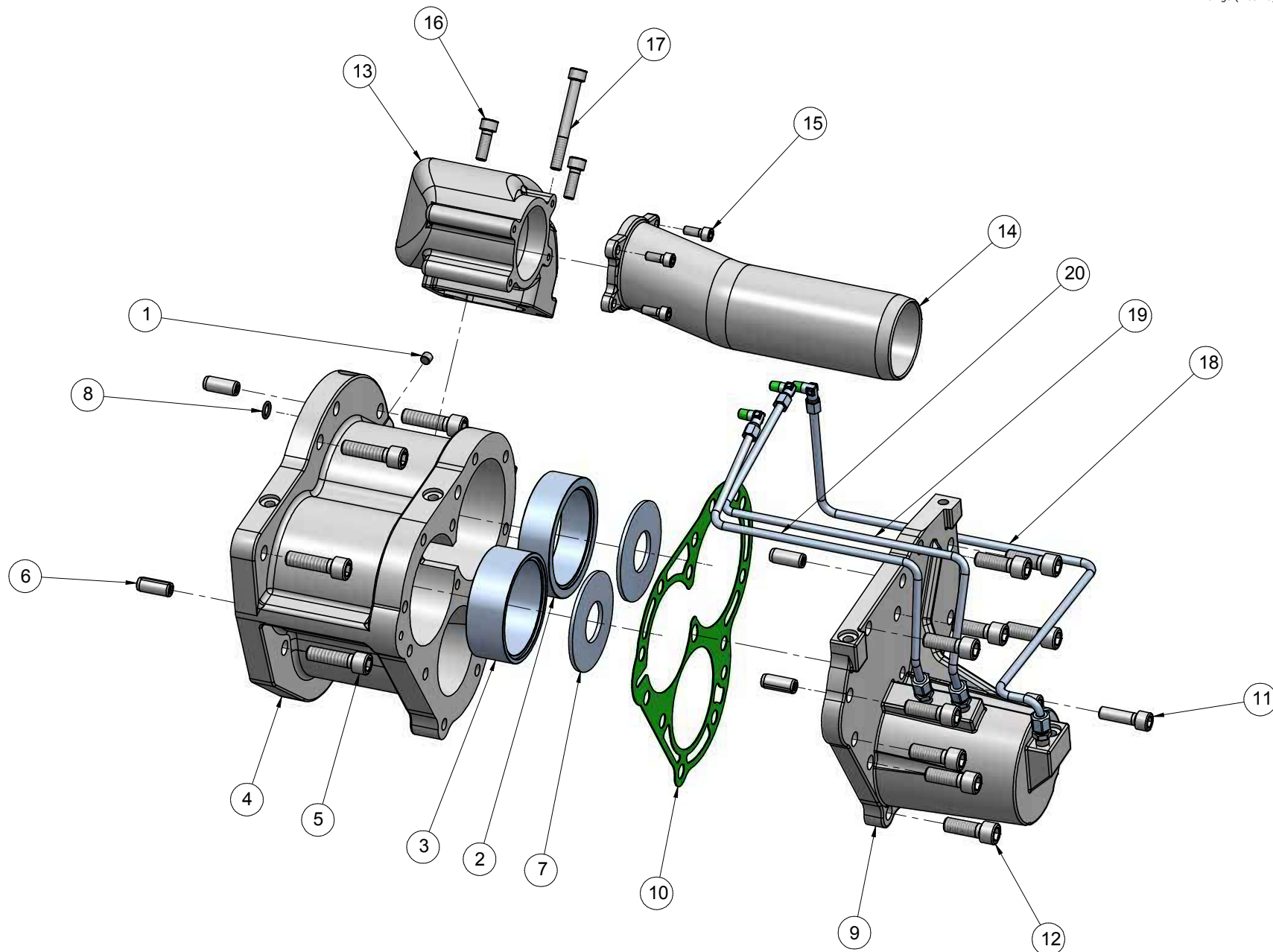
### 134-S-140 Rotor

ATTENZIONE: il presente disegno è di esclusiva proprietà REFCOMP. E' fatto divieto di riproduzione e di divulgazione anche parziale secondo quanto regolato dalle norme vigenti.

ATTENTION: the present drawing is exclusively ownership of REFCOMP. Is forbidden to reproduce and to disclose, even if partialy, the present document in conformity to law regulation in force.



Pos	Code	Description	Serial number	Note	Q.ty
Kit	303591	Bearings kit '134-S-110/120/140' series			1
1	503020	Male rotor '134-S-140' series			1
2	519433	Bearing external spacer Ø120x9			1
3	519434	Bearing internal spacer Ø76x9			1
4	519438	Suction bush male rotor '134-S-140' series			1
5	519439	Suction bush female rotor '134-S-140' series			1
6	533996	Female rotor '134-S-140' series			1
7	612360	Ball bearing			2
8	612730	Block nut M60x2			1
9	613650	Cylindrical roller bearing			1
10	613890	Block nut M50x1.5			1
11	614030	Cylindrical roller bearing			1
12	614553	Cylindrical roller bearing			3
13	614554	Ball bearing			3



### Bearing housing + bearing housing cover

ATTENZIONE: il presente disegno è di esclusiva proprietà REFCOMP.  
E' fatto divieto di riproduzione e di divulgazione anche parziale secondo  
quanto regolato dalle norme vigenti.

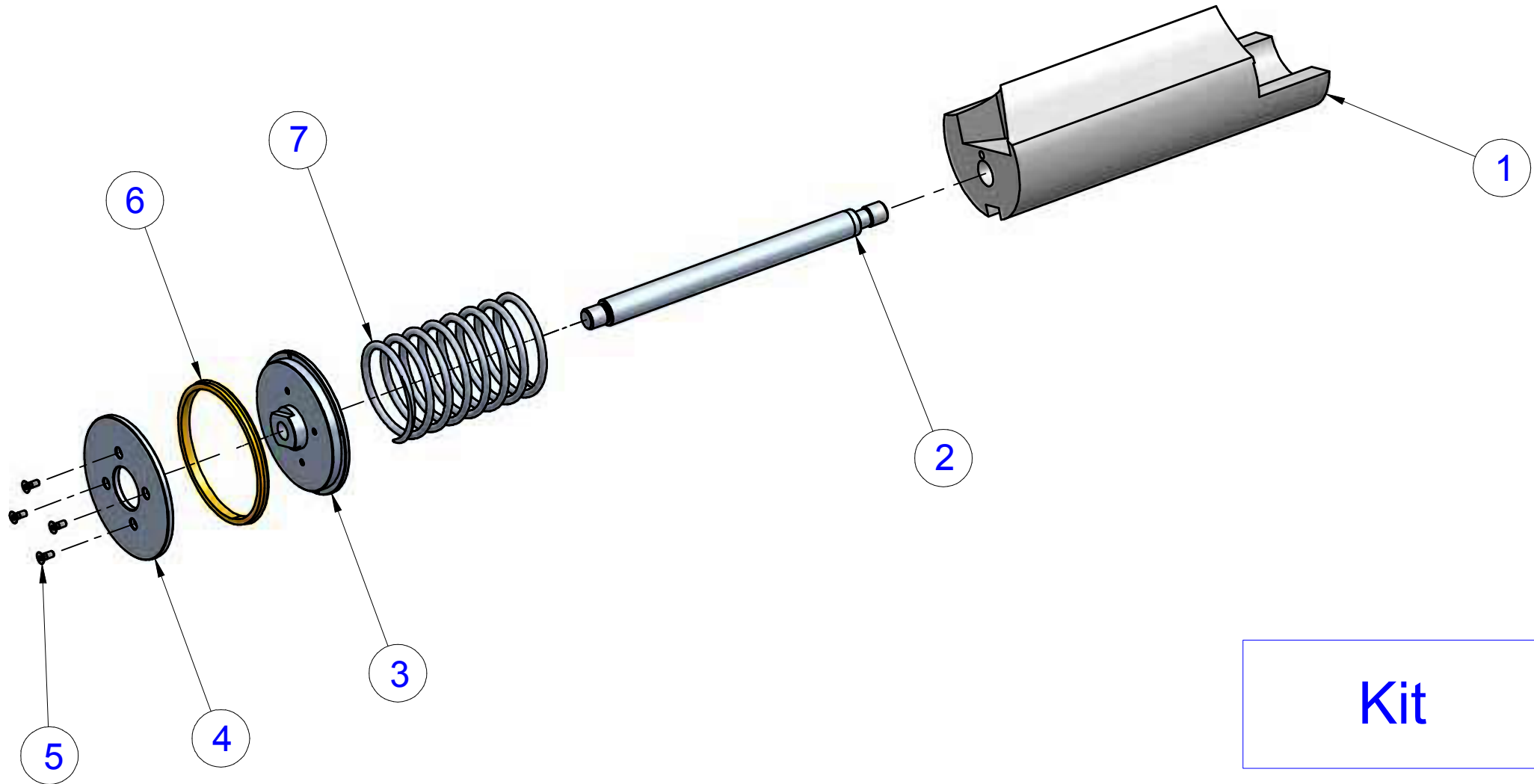
ATTENTION: the present drawing is exclusively ownership of REFCOMP.  
Is forbidden to reproduce and to disclose, even if partially, the present  
document in conformity to law regulation in force.

Pos	Code	Description	Serial number	Note	Q.ty
18	503411	Slide valve pipe assembly 25%			1
19	503412	Slide valve pipe assembly 50%			1
20	503413	Slide valve pipe assembly 75%			1
2	519411	Bearing spacer Ø120x33.5			1
3	519412	Bearing spacer Ø110x39.5			1
9	534041	Bearing housing cover			1
4	534295	Bearing housing			1
13	534302	Discharge collector			1
14	534380	Discharge pipe Ø74x298.5			1
10	592779	Bearing housing cover gasket			1
1	610680	Plug 1/8"NPT			1
15	611190	Screw M8x20			4
6	611940	Cylindrical pin Ø14x35			4
12	612260	Screw M14x40			11
11	612460	Screw M12x40			1
7	613740	Conical spring Ø41xØ100x4			2
5	614506	Screw M14x50			6
16	614575	Screw M10x30			2
17	614611	Screw M10x90			1
8	691081	O-ring OR115			1
19	503414	Slide valve pipe assembly 50%			1
20	503415	Slide valve pipe assembly 75%			1
9	533985	Bearing housing cover			1

**Bearing housing + bearing housing cover**

[www.refcomp.it](http://www.refcomp.it)  
[spareparts@refcomp.it](mailto:spareparts@refcomp.it)

Model: 134-S-110\_120\_140



Kit

### Slide valve

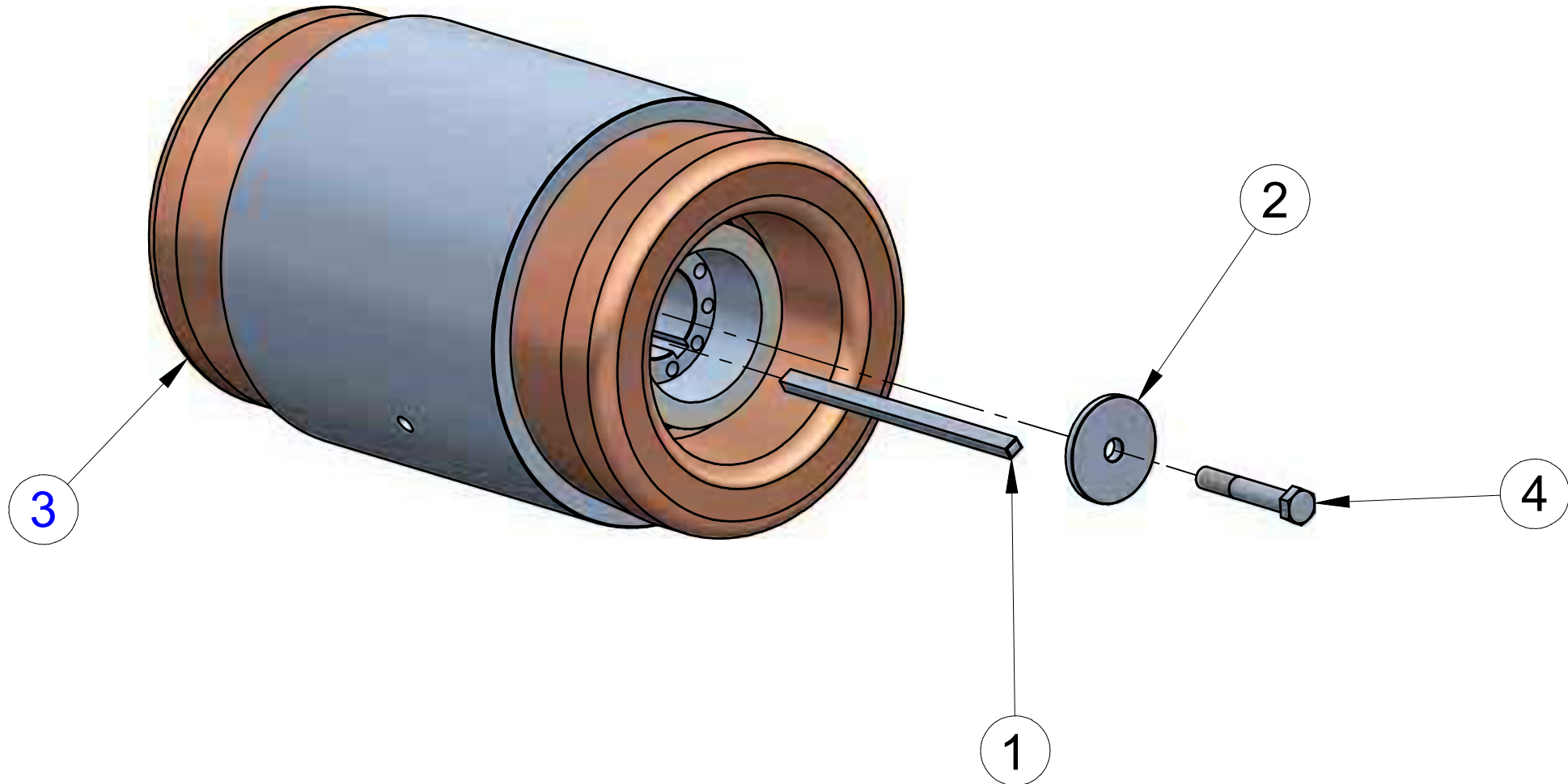
ATTENZIONE: il presente disegno è di esclusiva proprietà REFCOMP. E' fatto divieto di riproduzione e di divulgazione anche parziale secondo quanto regolato dalle norme vigenti.

ATTENTION: the present drawing is exclusively ownership of REFCOMP. Is forbidden to reproduce and to disclose, even if partialy, the present document in conformity to law regulation in force.

Pos	Code	Description	Serial number	Note	Q.ty
Kit	303645	Slide valve kit Vi=3.2			1
Kit	303646	Slide valve kit Vi=3.2			1
4	517580	Front part control piston			1
7	519410	Control piston spring L=185			1
2	519413	Control piston rod L=166			1
3	519485	Control piston Ø100			1
1	519688	Slide valve Vi=2.2			1
1	519705	Slide valve Vi=2.2			1
1	519707	Slide valve Vi=2.2			1
1	533988	Slide valve Vi=3.2			1
1	534036	Slide valve Vi=3.2			1
1	534280	Slide valve Vi=2.6			1
1	534408	Slide valve Vi=4.4			1
1	534409	Slide valve Vi=4.4			1
5	612980	Screw M4x10			4
6	691143	Gasket			1
Kit	304189				1
Kit	304190				1
1	534519				1
1	534536				1
1	534580				1
1	534588				1
1	534608				1
1	534609				1
1	534705				1
1	534707				1

Slide valve

Model: 134-S-110\_120\_140



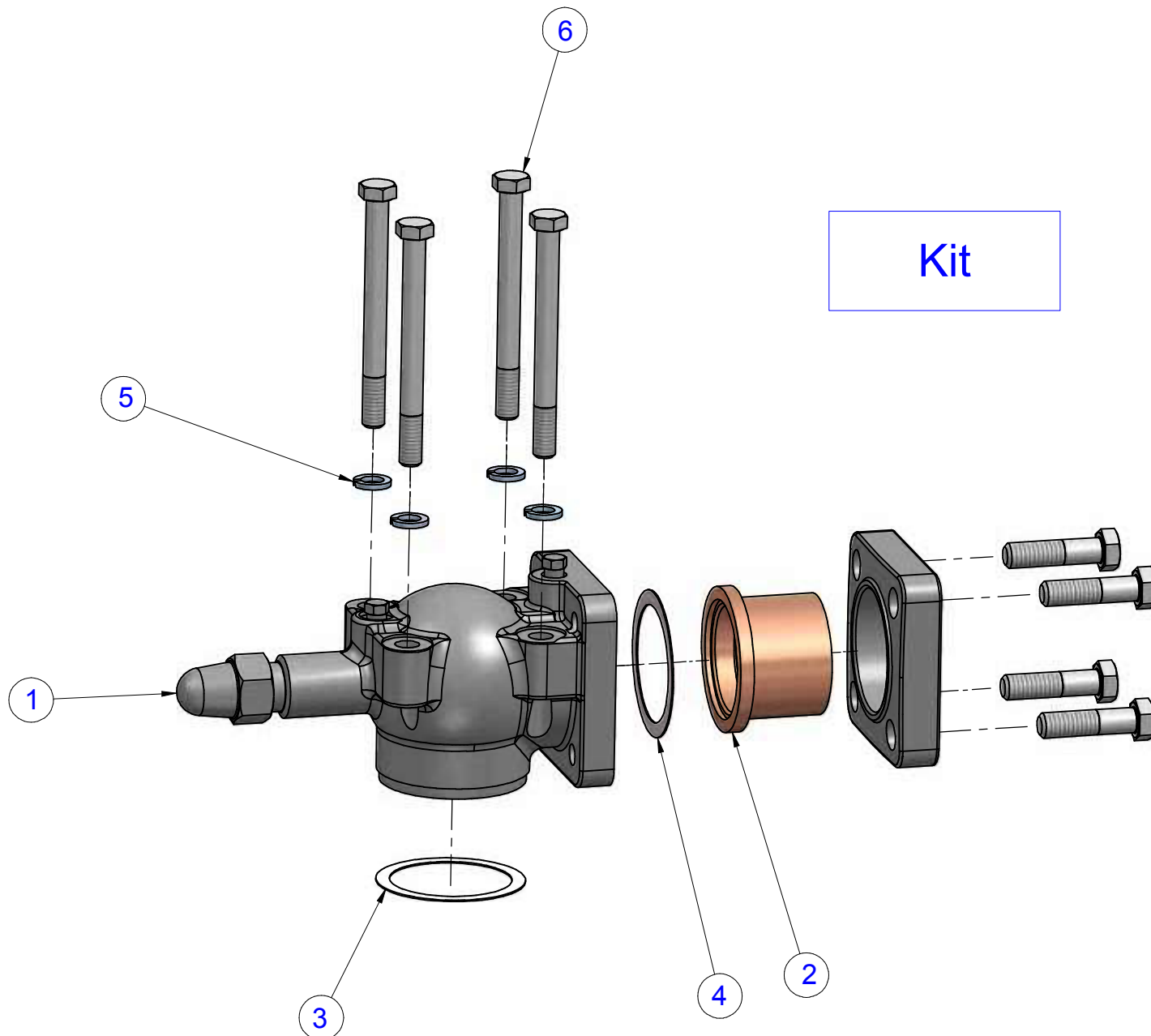
**Kit**

## Electrical motor

ATTENZIONE: il presente disegno è di esclusiva proprietà REFCOMP.  
E' fatto divieto di riproduzione e di divulgazione anche parziale secondo  
quanto regolato dalle norme vigenti.

ATTENTION: the present drawing is exclusively ownership of REFCOMP.  
Is forbidden to reproduce and to disclose, even if partially, the present  
document in conformity to law regulation in force.

Pos	Code	Description	Serial number	Note	Q.ty
Kit	303666	Electric motor kit 400V/3/50Hz Y/D			1
1	518960	Key 12x8x235			1
2	519333	Rotor fixing washer			1
3	583710	Electric motor 400V/3/50Hz Y/D			1
3	583755	Electric motor 400V/3/50Hz Y/D			1
3	583763	Electric motor 400V/3/50Hz Y/D			1
4	614547	Screw M16x120			1



### Discharge shut-off valve

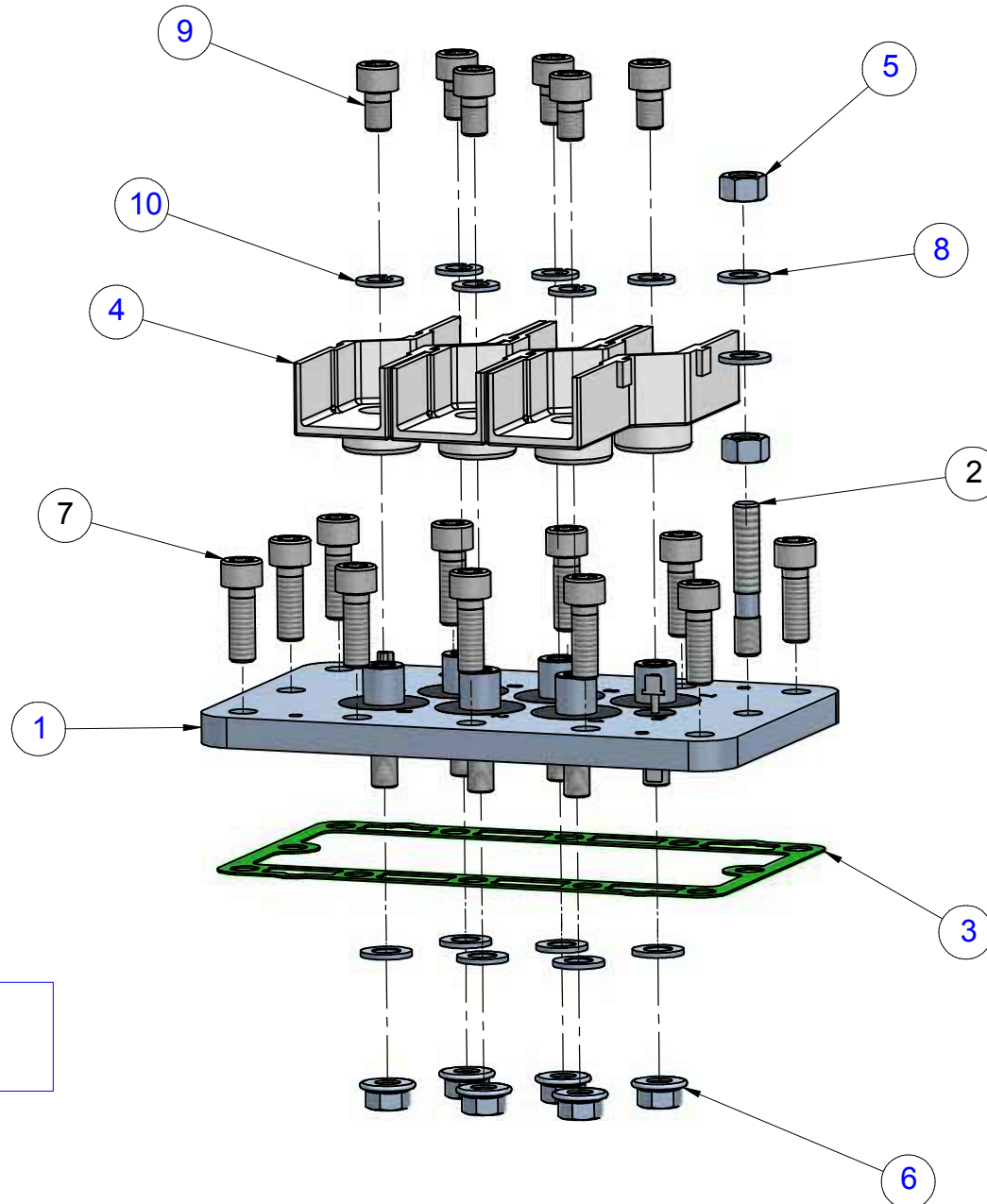
ATTENZIONE: il presente disegno è di esclusiva proprietà REFCOMP. E' fatto divieto di riproduzione e di divulgazione anche parziale secondo quanto regolato dalle norme vigenti.

ATTENTION: the present drawing is exclusively ownership of REFCOMP. Is forbidden to reproduce and to disclose, even if partialy, the present document in conformity to law regulation in force.



Pos	Code	Description	Serial number	Note	Q.ty
Kit	300180	Shut-off valve kit l=99 Ø67			1
Kit	303830	Shut-off valve kit l=99 Ø76			1
Kit	303984	Shut-off valve kit l=99 Ø54			1
Kit	304070	Shut-off valve kit l=99 Ø80		Standard Kit	1
1	500250	Shut-off valve l=99			1
2	510500	Bush Ø80		Standard	1
2	510550	Bush Ø67			1
2	510560	Bush Ø76			1
2	513420	Bush Ø54			1
3	590250	Shut-off valve gasket Ø87.5xØ106.8x1			1
4	591130	Shut-off valve gasket Ø84.8xØ105.8x1			1
5	610940	Galvanized grower washer M16			4
6	614080	Galvanized screw M16x170			4

**Discharge shut-off valve**



Kit

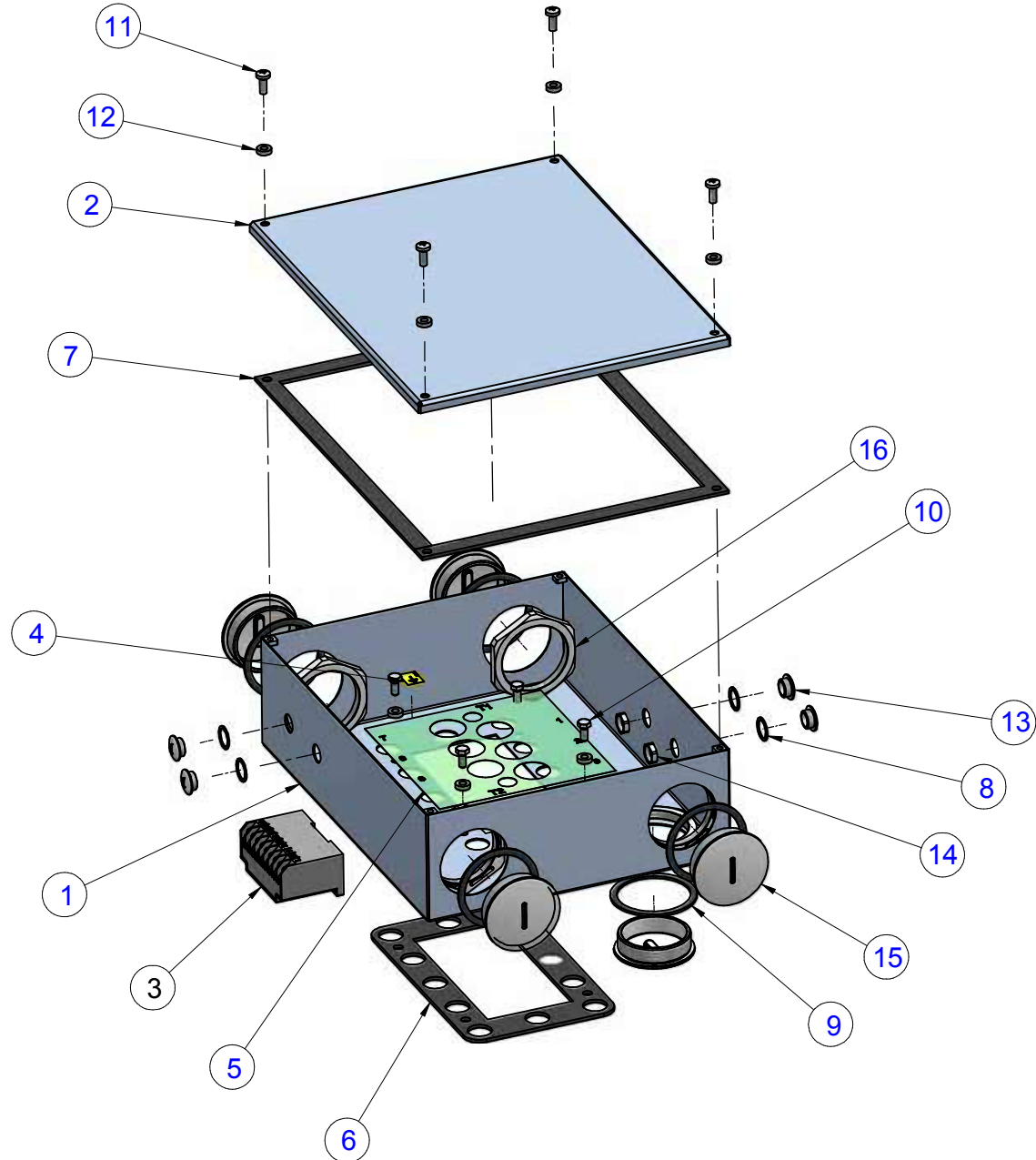
## Terminal plate

ATTENZIONE: il presente disegno è di esclusiva proprietà REFCOMP. E' fatto divieto di riproduzione e di divulgazione anche parziale secondo quanto regolato dalle norme vigenti.

ATTENTION: the present drawing is exclusively ownership of REFCOMP. Is forbidden to reproduce and to disclose, even if partially, the present document in conformity to law regulation in force.

Pos	Code	Description	Serial number	Note	Q.ty
Kit	303775	Terminal plate kit '134-S-110/120/140' series			1
1	502190	Terminal plate			1
2	512080	Tie rod M10x60			1
3	592240	Terminal plate gasket			1
4	592787	Double isolator			3
5	610820	Galvanized nut M10			2
6	613250	Klock nut M10 galvanized			6
7	613900	Galvanized screw M10x30			11
8	613910	Plane washer Ø10.5xØ20x2			8
9	613940	Screw M10x16			6
10	613950	Grower washer M10			6

**Terminal plate**



Kit

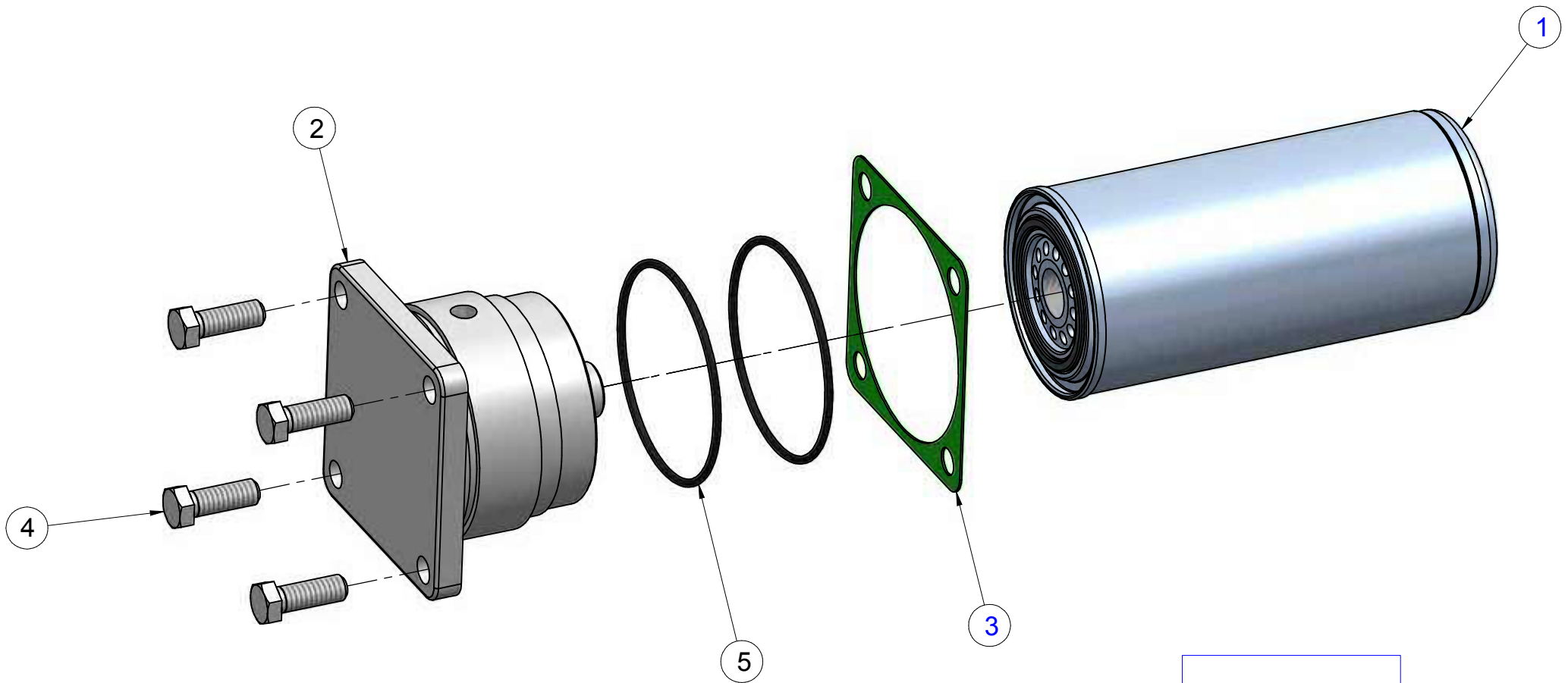
## Terminal box

ATTENZIONE: il presente disegno è di esclusiva proprietà REFCOMP. E' fatto divieto di riproduzione e di divulgazione anche parziale secondo quanto regolato dalle norme vigenti.

ATTENTION: the present drawing is exclusively ownership of REFCOMP. Is forbidden to reproduce and to disclose, even if partially, the present document in conformity to law regulation in force.

Pos	Code	Description	Serial number	Note	Q.ty
3	303170	Motor protector kit			1
Kit	303375	Electric box kit '134-S-110/120/140' series			1
1	502200	Electric box			1
2	502210	Electric box cover			1
4	585220	Ground label			1
5	592260	Terminal electric scheme			1
6	592270	Terminal box gasket			1
7	592280	Terminal box cover gasket			2
8	592826	Rubber washer gasket ISO 16			4
9	592830	Rubber washer ISO 63			5
10	611150	Galvanized screw M6x14			4
11	613960	Galvanized screw M6x16			4
12	691107	Rubber washer miniplast MP16-6			7
13	691153	Plastic plug ISO 16			4
14	691154	Plastic nut ISO 16			4
15	691161	Plastic plug ISO 63			5
16	691162	Plastic nut ISO 63			5

Model: 134-S-110\_120\_140



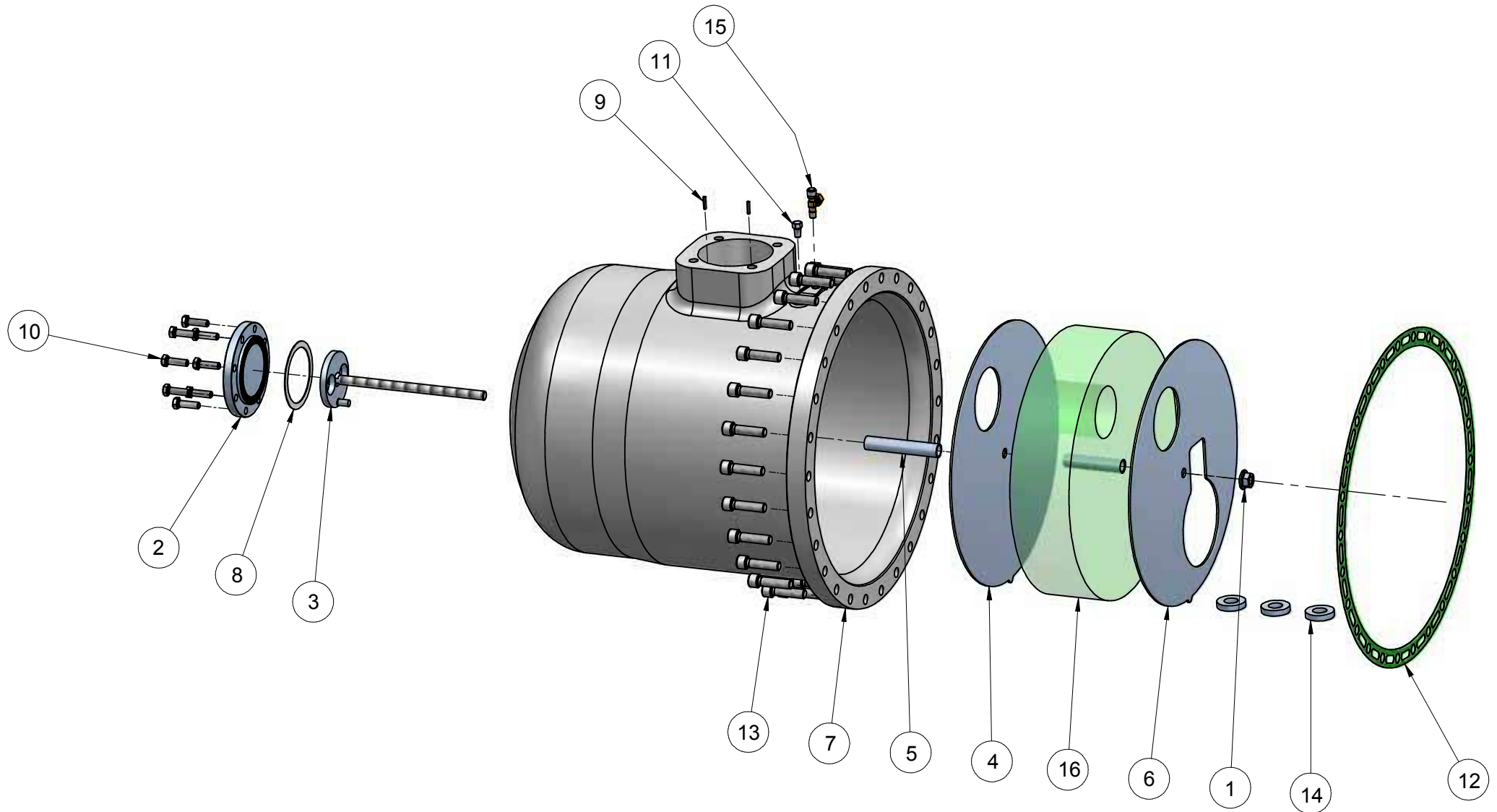
Kit

## Oil strainer

ATTENZIONE: il presente disegno è di esclusiva proprietà REFCOMP. E' fatto divieto di riproduzione e di divulgazione anche parziale secondo quanto regolato dalle norme vigenti.

ATTENTION: the present drawing is exclusively ownership of REFCOMP. Is forbidden to reproduce and to disclose, even if partialy, the present document in conformity to law regulation in force.

Pos	Code	Description	Serial number	Note	Q.ty
Kit	303671	Oil filter kit '134-S-110/120/140' series			1
1	502830	Oil filter cartridge			1
2	533954	Oil filter plug			1
3	592784	Oil filter plug gasket			1
4	614050	Screw M12x35			4
5	690990	O-ring OR4387			2



## Oil separator

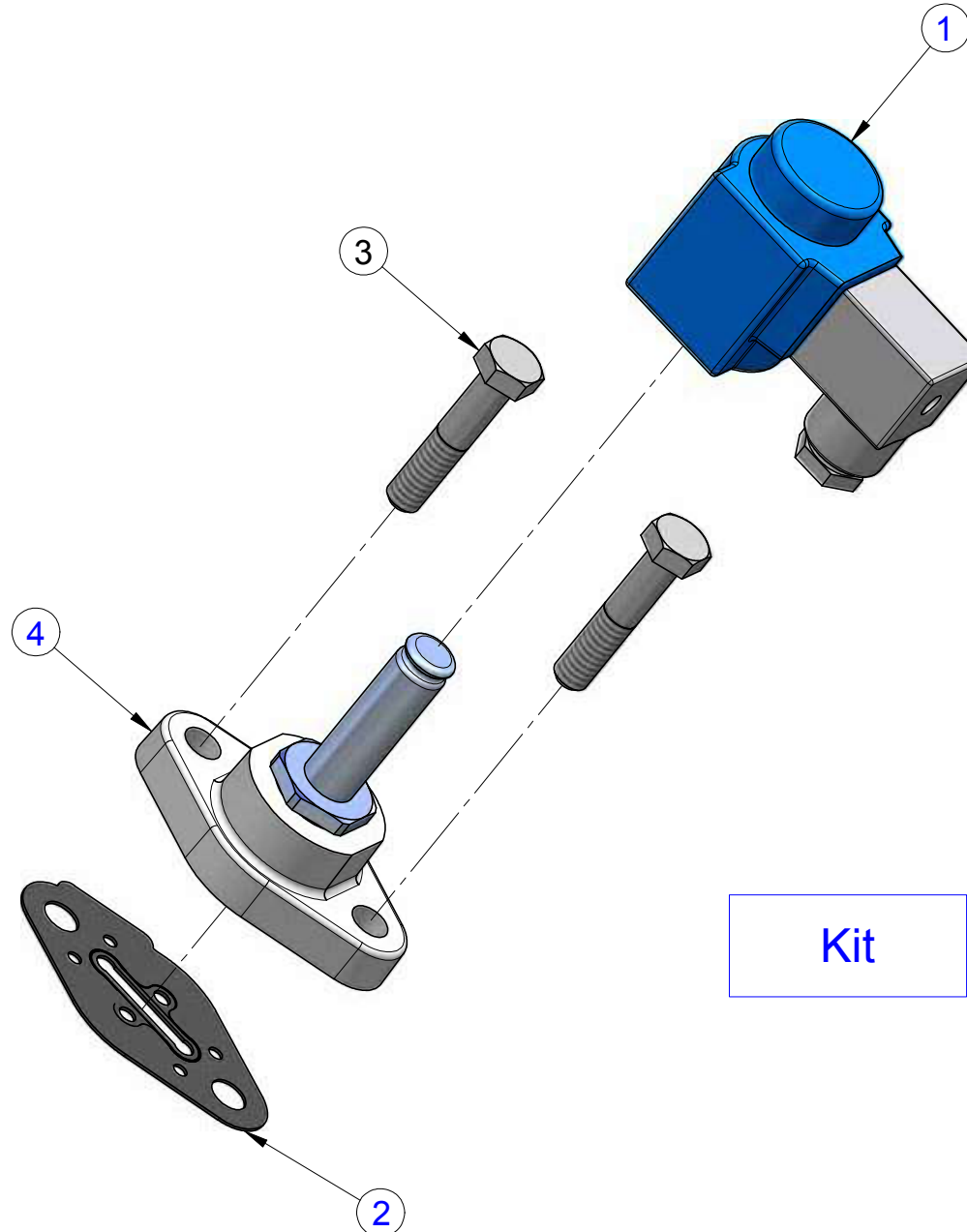
ATTENZIONE: il presente disegno è di esclusiva proprietà REFCOMP. E' fatto divieto di riproduzione e di divulgazione anche parziale secondo quanto regolato dalle norme vigenti.

ATTENTION: the present drawing is exclusively ownership of REFCOMP. Is forbidden to reproduce and to disclose, even if partially, the present document in conformity to law regulation in force.



Pos	Code	Description	Serial number	Note	Q.ty
15	503076	Connection 1/8"NPT-1/4"-1/4"-1/4"SAE			1
11	519143	Plug 1/8" NPT			1
2	519203	High pressure cover plate			1
16	519233	Demister oil separator Ø420x100			1
3	519234	Oil separator tie rod			1
4	519236	Punched metal sheet oil separator			1
5	519238	Spacer L=122			1
6	519477	Punched metal sheet oil separator			1
7	533836	Finished oil separator			1
8	590250	Shut-off valve gasket Ø87.5xØ106.8x1			1
12	592440	Oil separator/rotor housing gasket			1
9	611810	Elastic pin Ø4x20			2
10	612150	Galvanized screw M10x35			8
13	612470	Screw M14x55			26
14	612490	Magnet			3
1	614517	Klock nut M14 galvanized			1

Model: 134-S-110\_120\_140



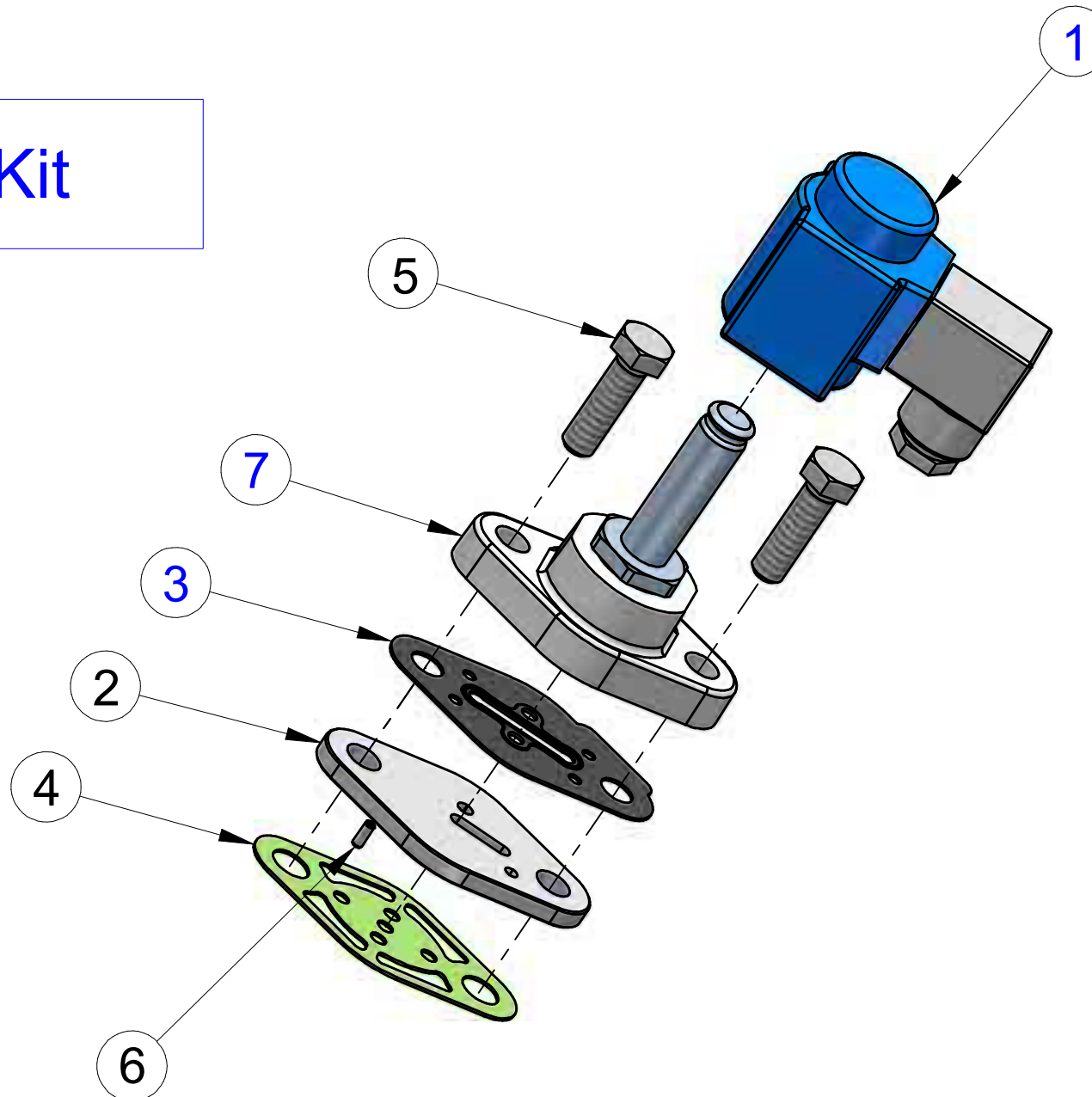
## Capacity control solenoid valve

ATTENZIONE: il presente disegno è di esclusiva proprietà REFCOMP.  
E' fatto divieto di riproduzione e di divulgazione anche parziale secondo  
quanto regolato dalle norme vigenti.

ATTENTION: the present drawing is exclusively ownership of REFCOMP.  
Is forbidden to reproduce and to disclose, even if partialy, the present  
document in conformity to law regulation in force.

Pos	Code	Description	Serial number	Note	Q.ty
Kit	304123	Solenoid valve kit 230V 50-60Hz R134A			1
1	503330	Coil 230V-50/60Hz			1
2	592731	Solenoid valve gasket I=65			1
3	611370	Screw M10x30		no purchase in kit	2
4	760450	Solenoid valve			1

Kit

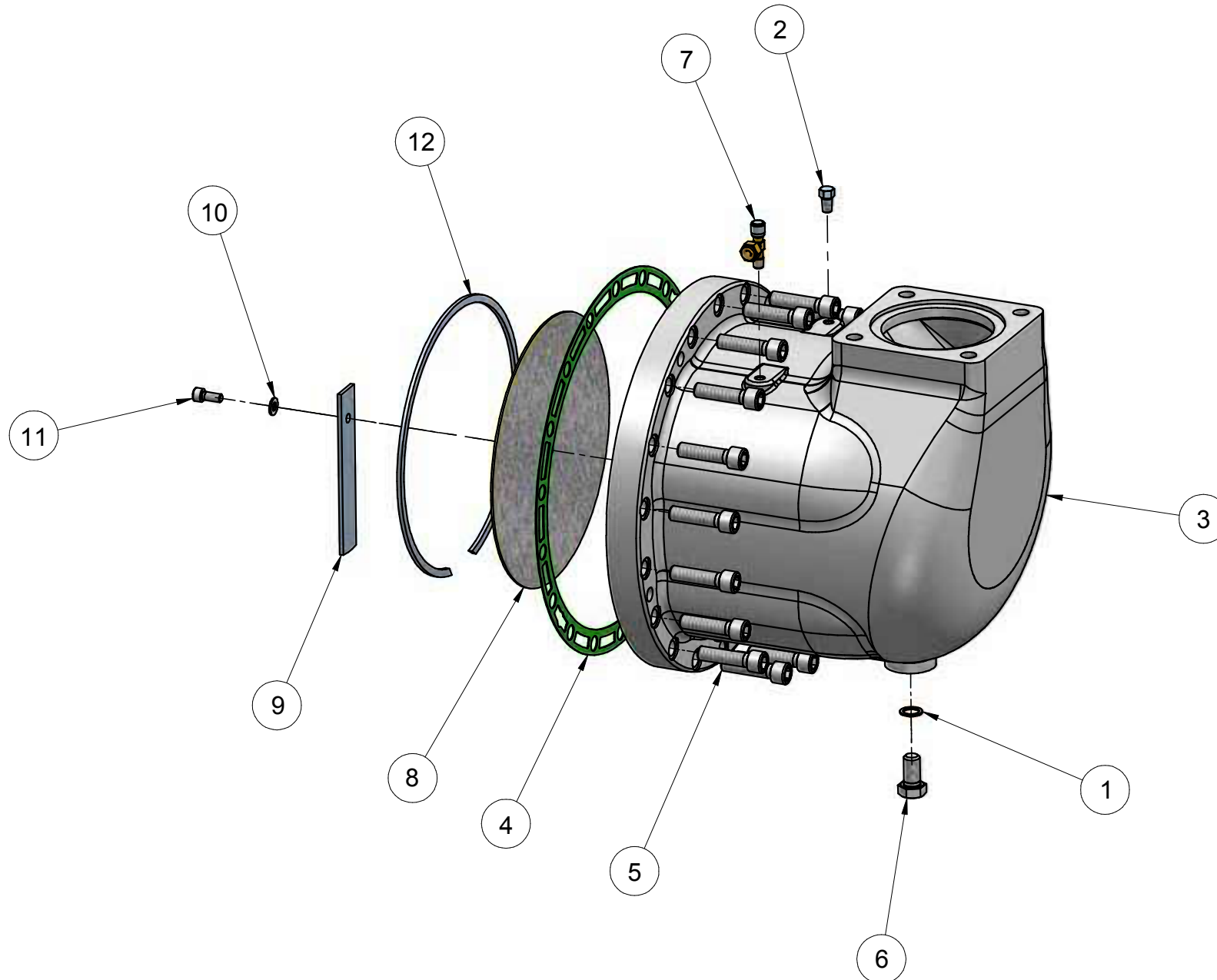


**'L4' Capacity control solenoid valve**

ATTENZIONE: il presente disegno è di esclusiva proprietà REFCOMP. E' fatto divieto di riproduzione e di divulgazione anche parziale secondo quanto regolato dalle norme vigenti.

ATTENTION: the present drawing is exclusively ownership of REFCOMP. Is forbidden to reproduce and to disclose, even if partialy, the present document in conformity to law regulation in force.

Pos	Code	Description	Serial number	Note	Q.ty
Kit	304123	Solenoid valve kit 230V 50-60Hz R134A			1
1	503330	Coil 230V-50/60Hz			1
2	519422	Capacity control plate 'L4'			1
3	592731	Solenoid valve gasket l=65			1
4	592762	Solenoid valve/plate gasket			1
5	612150	Galvanized screw M10x35			2
6	614566	Elastic pin Ø8x3			1
7	760450	Solenoid valve			1



## Suction cover

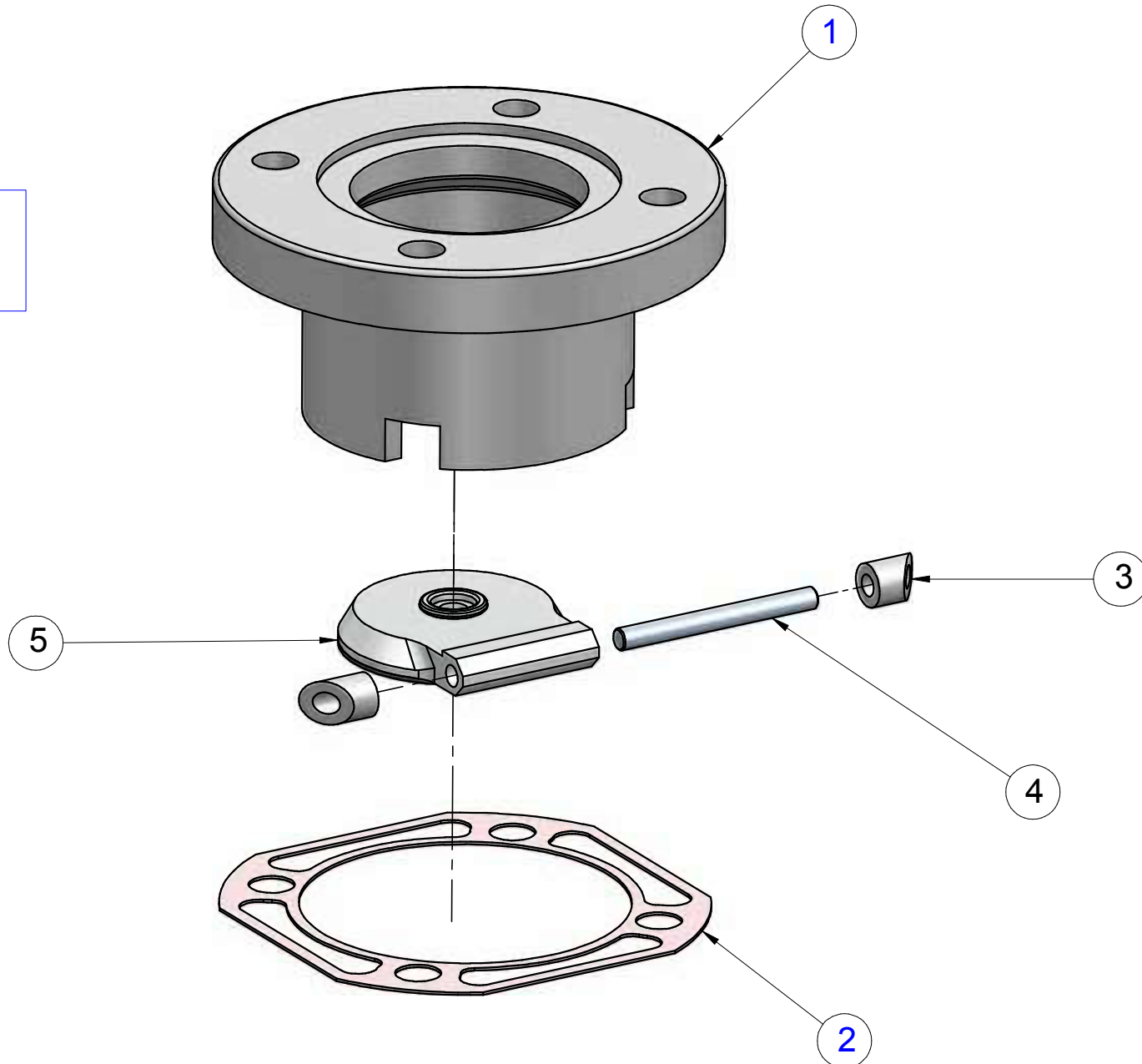
ATTENZIONE: il presente disegno è di esclusiva proprietà REFCOMP. E' fatto divieto di riproduzione e di divulgazione anche parziale secondo quanto regolato dalle norme vigenti.

ATTENTION: the present drawing is exclusively ownership of REFCOMP. Is forbidden to reproduce and to disclose, even if partially, the present document in conformity to law regulation in force.

Pos	Code	Description	Serial number	Note	Q.ty
8	503037	Suction filter Ø272x2			1
7	503076	Connection 1/8"NPT-1/4"-1/4"-1/4"SAE			1
2	519143	Plug 1/8" NPT			1
9	519599	Reinforced bracket suction filter 'P4' series			1
3	534043	Suction cover			1
4	592773	Suction cover gasket			1
10	611000	Plane washer Ø8x17x1.6			1
11	611190	Screw M8x20			1
5	614548	Galvanized screw M14x55			18
12	614568	Seeger ring			1
6	614571	Screw M16x30			1
1	680030	Copper washer Ø16x22x1.5			1

**Suction cover**

Kit



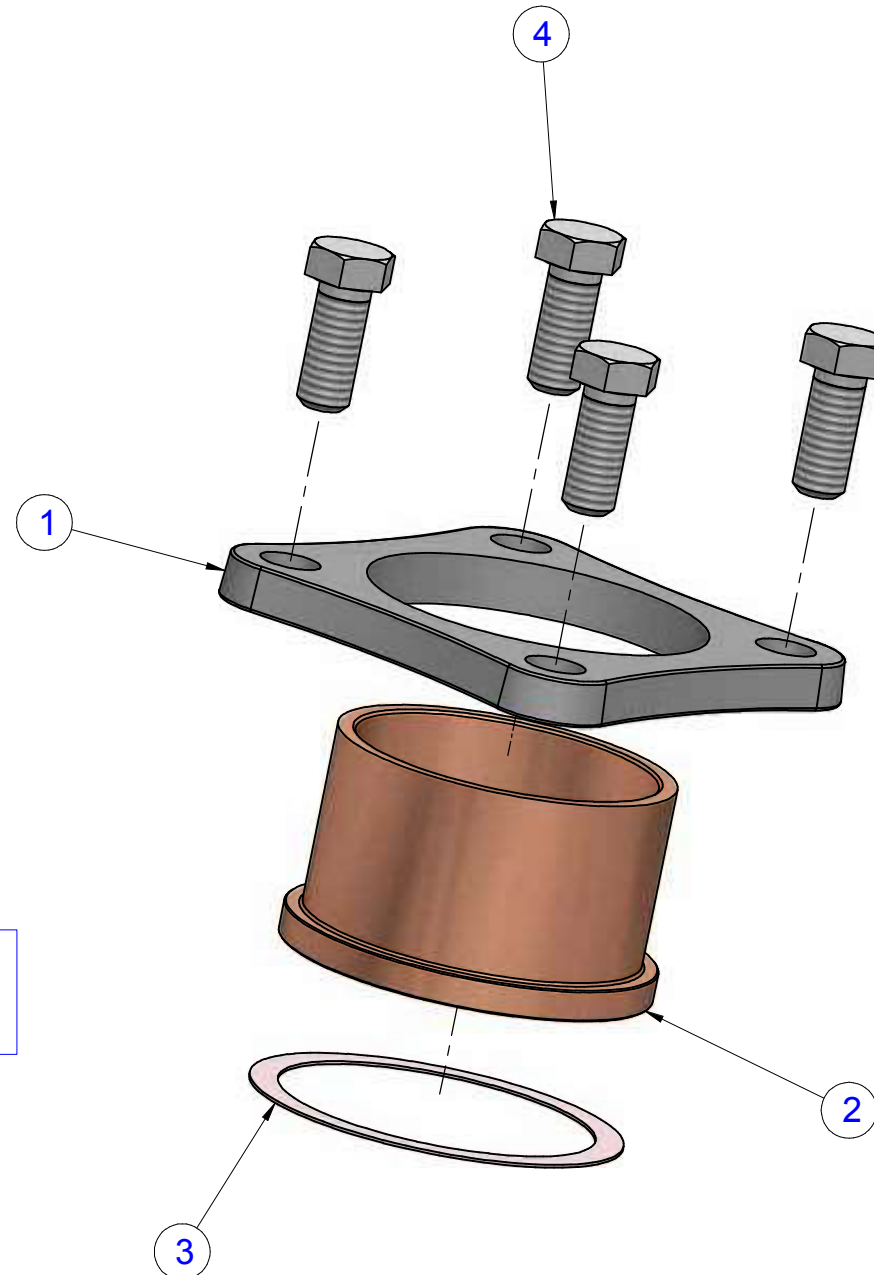
### Check valve

ATTENZIONE: il presente disegno è di esclusiva proprietà REFCOMP. E' fatto divieto di riproduzione e di divulgazione anche parziale secondo quanto regolato dalle norme vigenti.

ATTENTION: the present drawing is exclusively ownership of REFCOMP. Is forbidden to reproduce and to disclose, even if partialy, the present document in conformity to law regulation in force.



Pos	Code	Description	Serial number	Note	Q.ty
Kit	303564	Check valve bush kit			1
5	502590	Check valve			1
3	517420	Insert			2
1	534045	Check valve bush			1
2	592782	Check valve bush gasket			1
4	610980	Cilyndrical pin Ø8x80			1



Kit

### Suction bush

ATTENZIONE: il presente disegno è di esclusiva proprietà REFCOMP. E' fatto divieto di riproduzione e di divulgazione anche parziale secondo quanto regolato dalle norme vigenti.

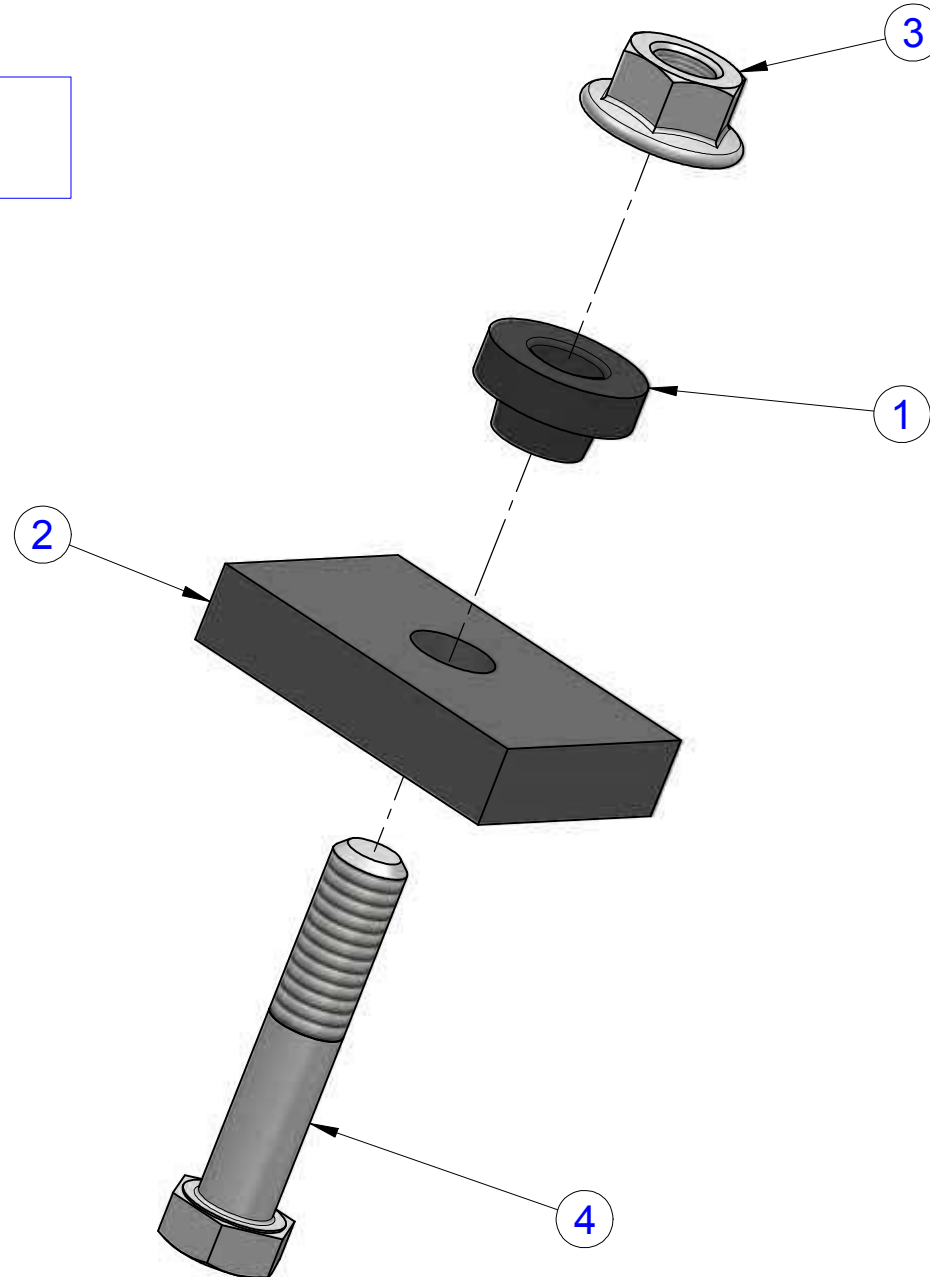
ATTENTION: the present drawing is exclusively ownership of REFCOMP. Is forbidden to reproduce and to disclose, even if partially, the present document in conformity to law regulation in force.

Pos	Code	Description	Serial number	Note	Q.ty
Kit	303508	Flange + bush kit Ø105		Standard Kit	1
Kit	303538	Flange + bush kit Ø80			1
2	519239	Bush Ø105		Standard	1
1	519240	Flange l=122			1
2	519278	Bush Ø108			1
2	519289	Bush Ø80			1
2	519361	Bush Ø89			1
2	519376	Bush Ø77			1
3	592745	Shut-off valve gasket Ø110.5xØ130x1			1
4	610011	Galvanized screw M18x45			4

**Suction bush**

Model: 134-S-110\_120\_140

Kit



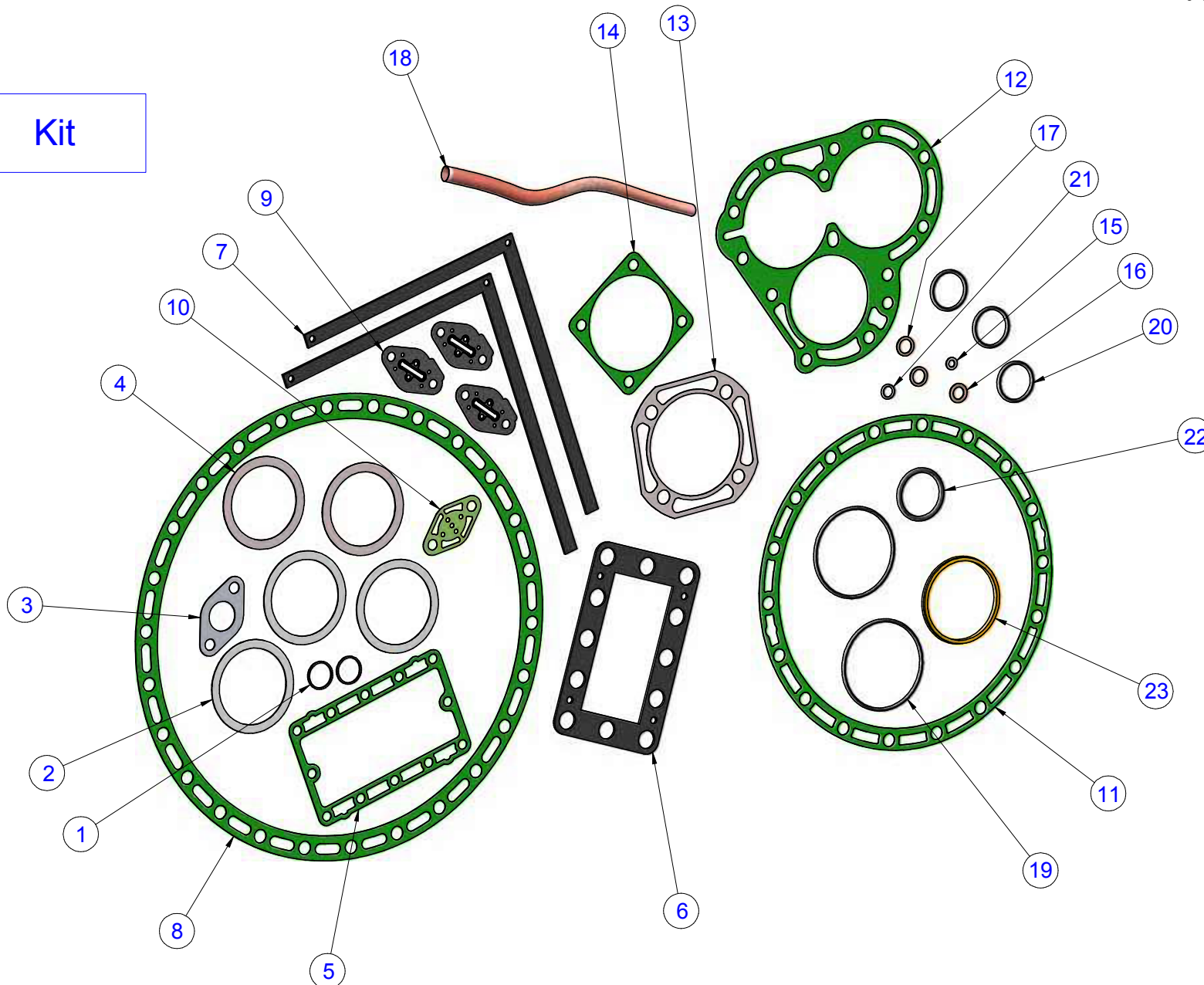
## Dumpers

ATTENZIONE: il presente disegno è di esclusiva proprietà REFCOMP. E' fatto divieto di riproduzione e di divulgazione anche parziale secondo quanto regolato dalle norme vigenti.

ATTENTION: the present drawing is exclusively ownership of REFCOMP. Is forbidden to reproduce and to disclose, even if partialy, the present document in conformity to law regulation in force.

Pos	Code	Description	Serial number	Note	Q.ty
Kit	303321	Rubber dumpers kit			1
1	592742	Dumper bush			4
2	592840	Dumper (80°sh)			4
3	614517	Klock nut M14 galvanized			4
4	614525	Galvanized screw M14x70			4

Kit

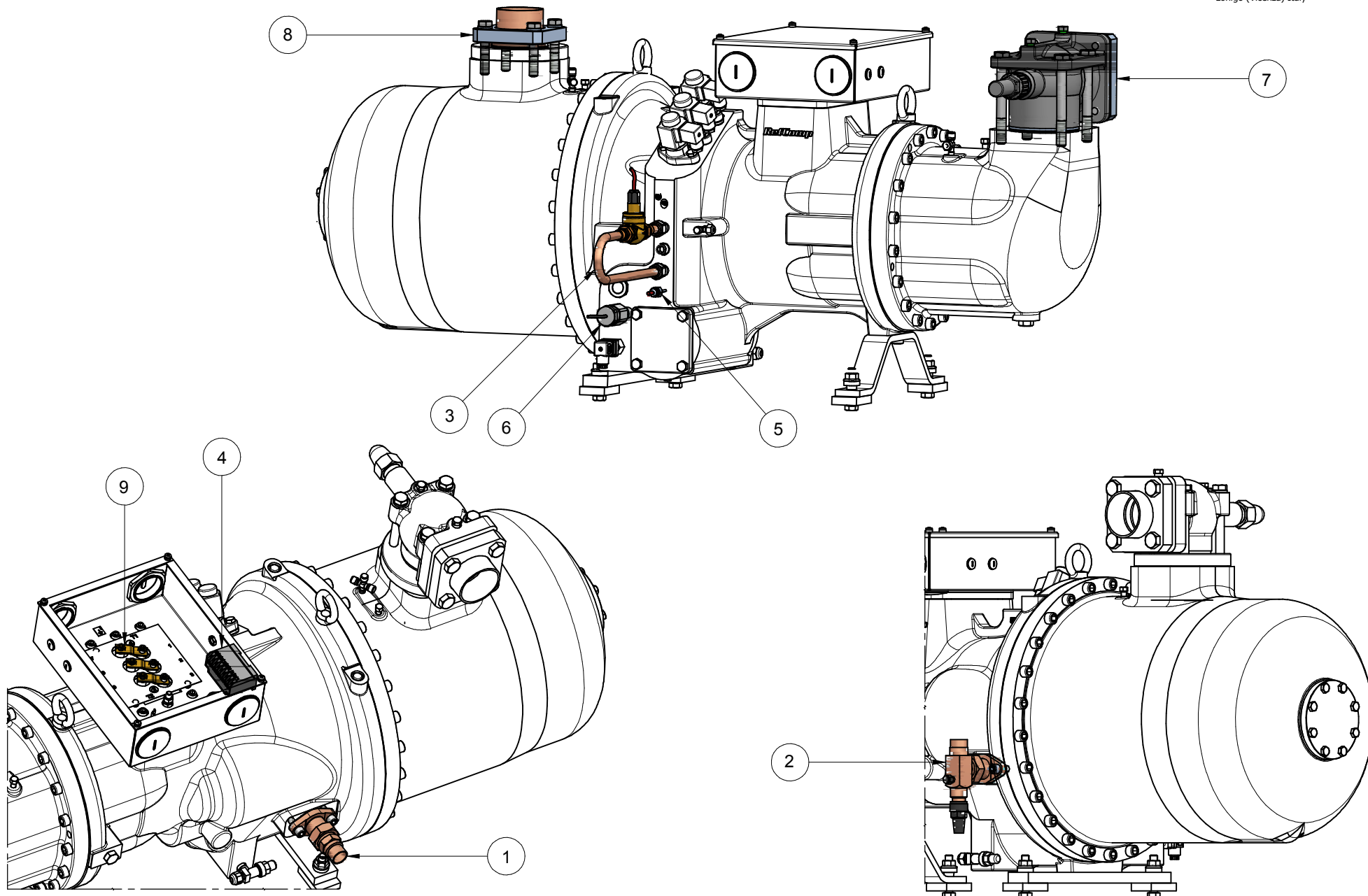


## Gaskets

ATTENZIONE: il presente disegno è di esclusiva proprietà REFCOMP.  
E' fatto divieto di riproduzione e di divulgazione anche parziale secondo  
quanto regolato dalle norme vigenti.

ATTENTION: the present drawing is exclusively ownership of REFCOMP.  
Is forbidden to reproduce and to disclose, even if partially, the present  
document in conformity to law regulation in force.

Pos	Code	Description	Serial number	Note	Q.ty
Kit	303582	Gasket kit '134-S-110/120/140' series			1
1	520664	Aluminium ring Ø28.6xØ31.8x2			2
2	590250	Shut-off valve gasket Ø87.5xØ106.8x1			3
3	591030	Oval flange gasket l=70			1
4	591130	Shut-off valve gasket Ø84.8xØ105.8x1			2
5	592240	Terminal plate gasket			1
6	592270	Terminal box gasket			1
7	592280	Terminal box cover gasket			2
8	592440	Oil separator/rotor housing gasket			1
9	592731	Solenoid valve gasket l=65			3
10	592762	Solenoid valve/plate gasket			1
11	592773	Suction cover gasket			1
12	592779	Bearing housing cover gasket			1
13	592782	Check valve bush gasket			1
14	592784	Oil filter plug gasket			1
15	620100	Alluminium plane washer Ø8xØ14x1.5			1
16	640650	Copper washer Ø14xØ22x1.5			1
17	680030	Copper washer Ø16x22x1.5			2
18	690240	Shrink sleeve Ø18			1
19	690990	O-ring OR4387			2
20	691030	O-ring OR144			3
21	691081	O-ring OR115			1
22	691142	Gasket			1
23	691143	Gasket			1



**Optional**

ATTENZIONE: il presente disegno è di esclusiva proprietà REFCOMP. E' fatto divieto di riproduzione e di divulgazione anche parziale secondo quanto regolato dalle norme vigenti.

ATTENTION: the present drawing is exclusively ownership of REFCOMP. Is forbidden to reproduce and to disclose, even if partially, the present document in conformity to law regulation in force.



Pos	Code	Description	Serial number	Note	Q.ty
1	303157	Liquid injection kit			1
2	303572	ECO shut-off valve kit			1
3	303690	Oil flow switch kit without motor protector INT69VS			1
3	303818	Oil flow switch kit with motor protector INT69VS 230V			1
3	304092	Oil flow switch kit with motor protector INT69VS 110V			1
3	304093	Oil flow switch kit with motor protector INT69VS 24V			1
3	303799	Oil flow switch kit without motor protector INT69VS			1
3	303819	Oil flow switch kit with motor protector INT69VS 230V			1
3	304094	Oil flow switch kit with motor protector INT69VS 110V			1
3	304095	Oil flow switch kit with motor protector INT69VS 24V			1
4	303170	Motor protector kit			1
5	303532	Temperature probe kit 120°C			1
6	303549	Optical level oil kit sensor			1
7	303121	Shut-off valve kit Ø77			1
7	303122	Shut-off valve kit Ø80			1
7	303123	Shut-off valve kit Ø89			1
7	303124	Shut-off valve kit Ø92			1
7	303125	Shut-off valve kit Ø105		Standard Kit	1
7	303126	Shut-off valve kit Ø108			1
8	304170	Flange + bush kit Ø80		Standard Kit	1
9	303192	Direct starting kit I=40			1

**Optional**