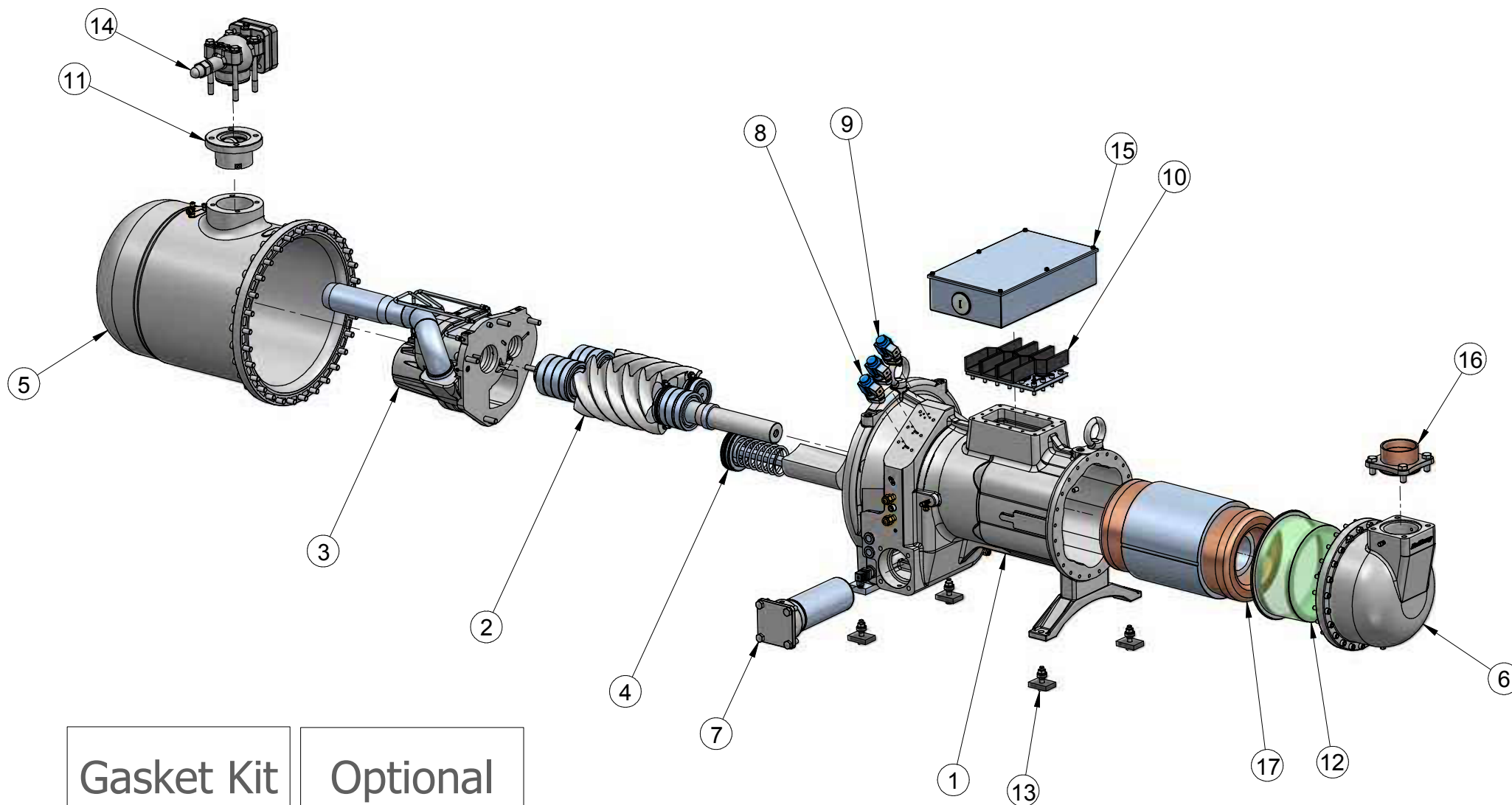


Model: "134-S" Series



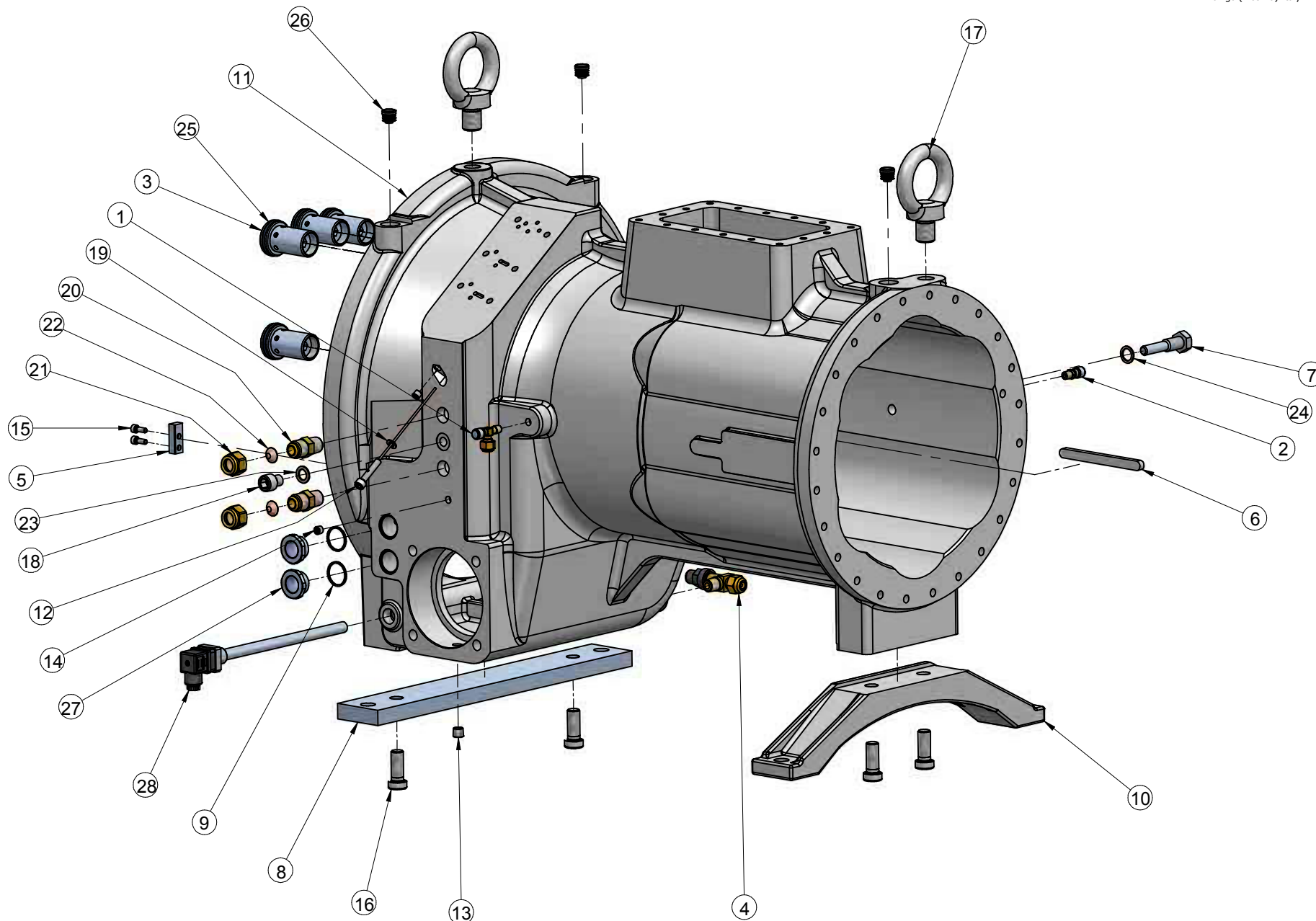
Gasket Kit

Optional

134-S-160\_180\_210\_220

ATTENZIONE: il presente disegno è di esclusiva proprietà REFCOMP. E' fatto divieto di riproduzione e di divulgazione anche parziale secondo quanto regolato dalle norme vigenti.

ATTENTION: the present drawing is exclusively ownership of REFCOMP. Is forbidden to reproduce and to disclose, even if partially, the present document in conformity to law regulation in force.



### 134-S-160/180/210 Rotor housing

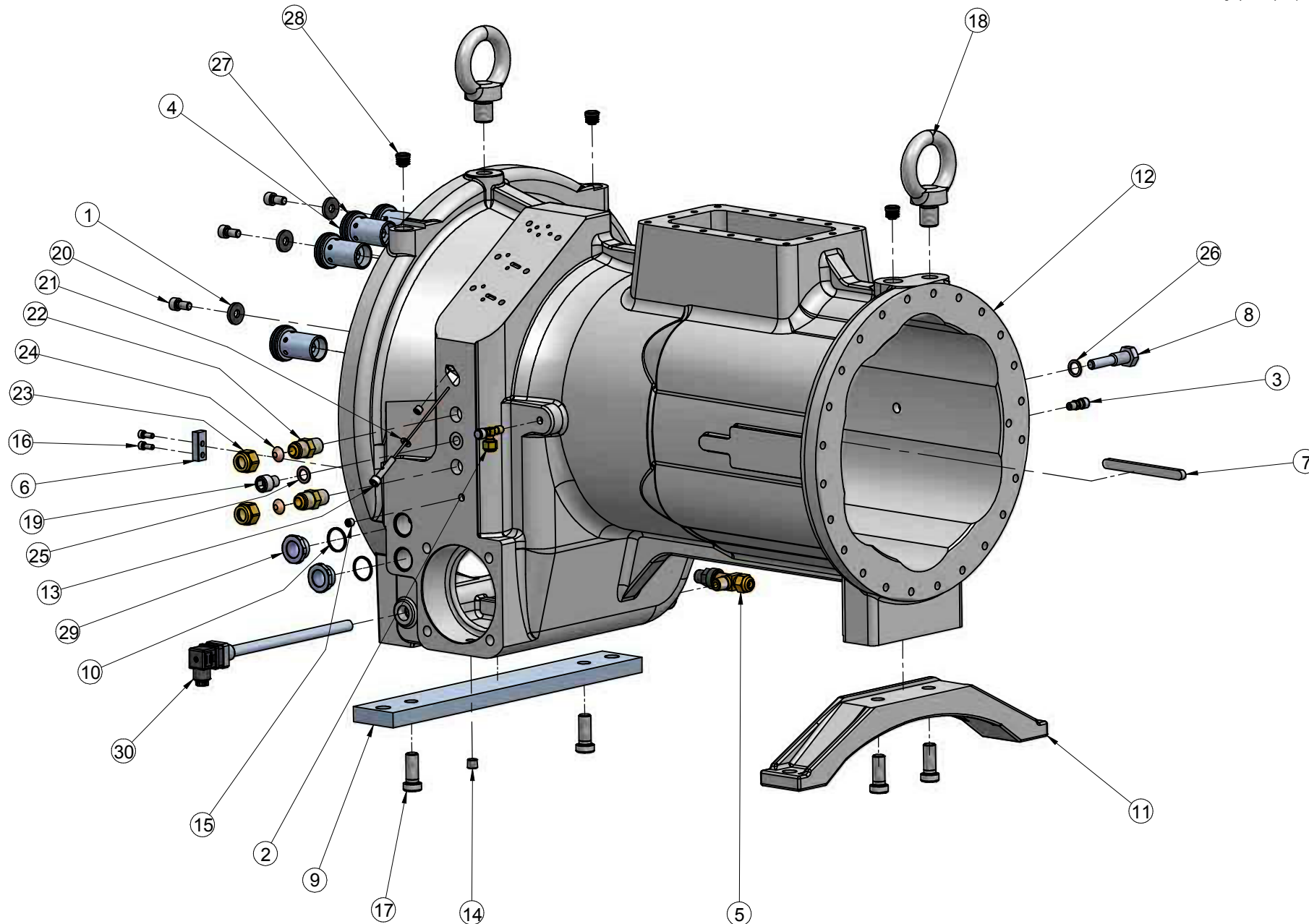
ATTENZIONE: il presente disegno è di esclusiva proprietà REFCOMP.  
E' fatto divieto di riproduzione e di divulgazione anche parziale secondo  
quanto regolato dalle norme vigenti.

ATTENTION: the present drawing is exclusively ownership of REFCOMP.  
Is forbidden to reproduce and to disclose, even if partialy, the present  
document in conformity to law regulation in force.

Pos	Code	Description	Serial number	Note	Q.ty
1	500261	Tee-piece union 1/8"NPT-1/4"-1/4"SAE			1
2	500263	Straight connection 1/8"NPT-1/4"SAE			1
4	503335	3/8"NPT oil discharge valve assembly			1
3	503445	Safety valve 22bar			4
5	514660	Key 16x10x38			1
6	514760	Key 11.95x8x140			1
7	517220	Stator fixing screw			1
8	517610	Compressor supporting plate			1
9	520664	Aluminium ring Ø28.6xØ31.8x2			2
10	533957	Compressor supporting plate			1
11	534007	Rotor housing			1
12	540732	Capillary Ø2.69xØ1.37 screw M8			1
28	583110	Crankcase heater 230V 275W Ø14			1
13	610050	Plug 1/4"NPT			1
14	610680	Plug 1/8"NPT			2
15	611120	Screw M6x16			2
16	613420	Screw M16x40			4
17	614531	Eyebolt M24			2
18	614552	Screw M14x16			1
19	620100	Alluminium plane washer Ø8xØ14x1.5			1
20	640631	Straight connection 1/2"NPT-5/8"SAE			2
21	640633	Nut 5/8"SAE-16			2
22	640639	Cooper cap 5/8"SAE			2
23	640650	Copper washer Ø14xØ22x1.5			1
24	680030	Copper washer Ø16x22x1.5			1
25	691030	O-ring OR144			4
26	691137	Plastic plug MP85-18			3
27	700210	Sight glass cover 1"1/8-18UNEF			2

**134-S-160/180/210 Rotor housing**

[www.refcomp.it](http://www.refcomp.it)  
[spareparts@refcomp.it](mailto:spareparts@refcomp.it)



### 134-S-220 Rotor housing

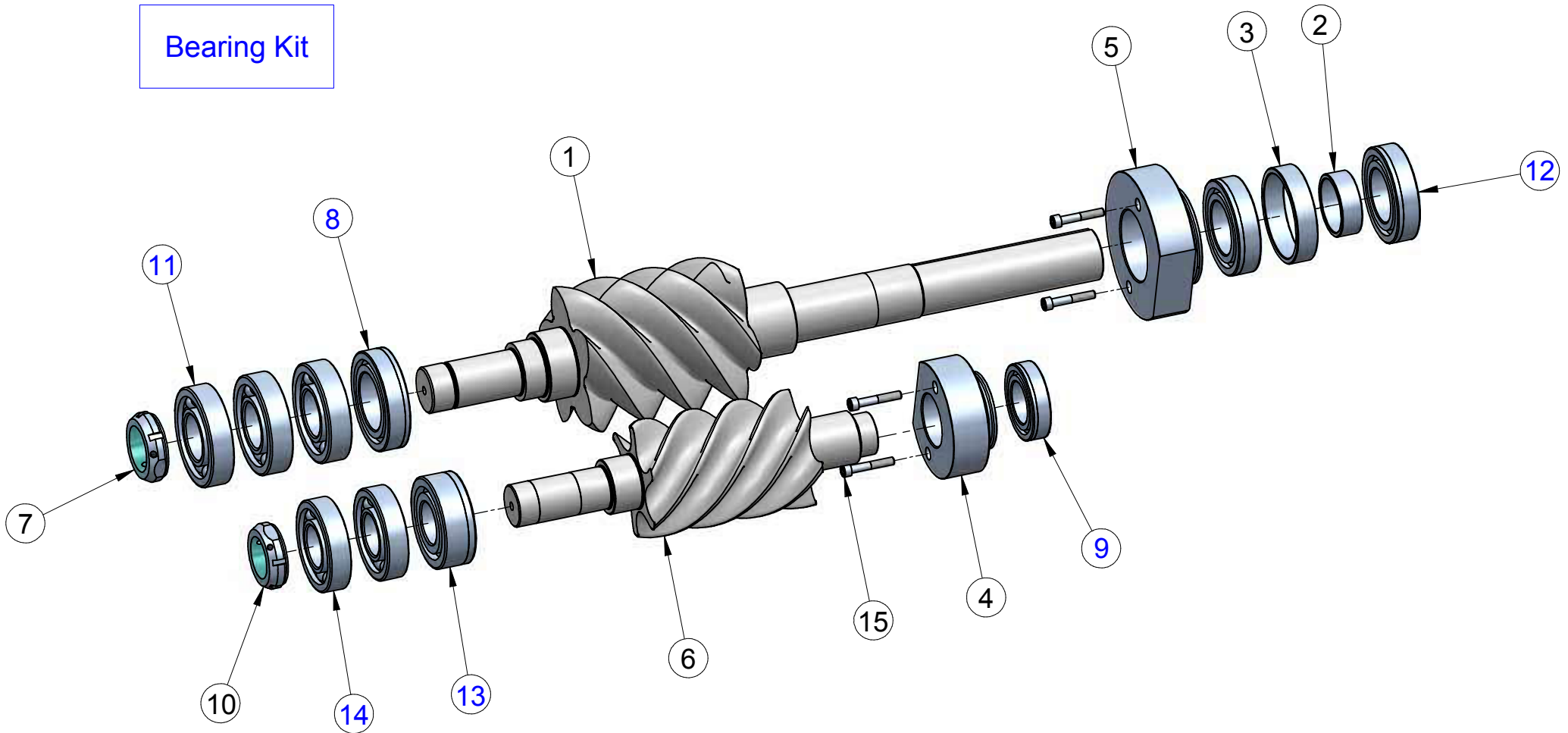
ATTENZIONE: il presente disegno è di esclusiva proprietà REFCOMP. E' fatto divieto di riproduzione e di divulgazione anche parziale secondo quanto regolato dalle norme vigenti.

ATTENTION: the present drawing is exclusively ownership of REFCOMP. Is forbidden to reproduce and to disclose, even if partially, the present document in conformity to law regulation in force.

Pos	Code	Description	Serial number	Note	Q.ty
2	500261	Tee-piece union 1/8"NPT-1/4"-1/4"SAE			1
3	500263	Straight connection 1/8"NPT-1/4"SAE			1
5	503335	3/8"NPT oil discharge valve assembly			1
4	503445	Safety valve 22bar			4
6	514660	Key 16x10x38			1
7	514760	Key 11.95x8x140			1
8	517220	Stator fixing screw			1
9	517610	Compressor supporting plate			1
10	520664	Aluminium ring Ø28.6xØ31.8x2			2
11	533957	Compressor supporting plate			1
12	534086	Rotor housing			1
13	540732	Capillary Ø2.69xØ1.37 screw M8			1
30	583110	Crankcase heater 230V 275W Ø14			1
14	610050	Plug 1/4"NPT			1
15	610680	Plug 1/8"NPT			2
16	611120	Screw M6x16			2
17	613420	Screw M16x40			4
1	614457	Plane washer Ø10.5xØ28x4			3
18	614531	Eyebolt M24			2
19	614552	Screw M14x16			1
20	614564	Screw M10x20			3
21	620100	Alluminium plane washer Ø8xØ14x1.5			1
22	640631	Straight connection 1/2"NPT-5/8"SAE			2
23	640633	Nut 5/8"SAE-16			2
24	640639	Cooper cap 5/8"SAE			2
25	640650	Copper washer Ø14xØ22x1.5			1
26	680030	Copper washer Ø16x22x1.5			1
27	691030	O-ring OR144			4
28	691137	Plastic plug MP85-18			3
29	700210	Sight glass cover 1"1/8-18UNEF			2

**134-S-220 Rotor housing**
[www.refcomp.it](http://www.refcomp.it)  
[spareparts@refcomp.it](mailto:spareparts@refcomp.it)

Bearing Kit



**134-S-160 Rotor**

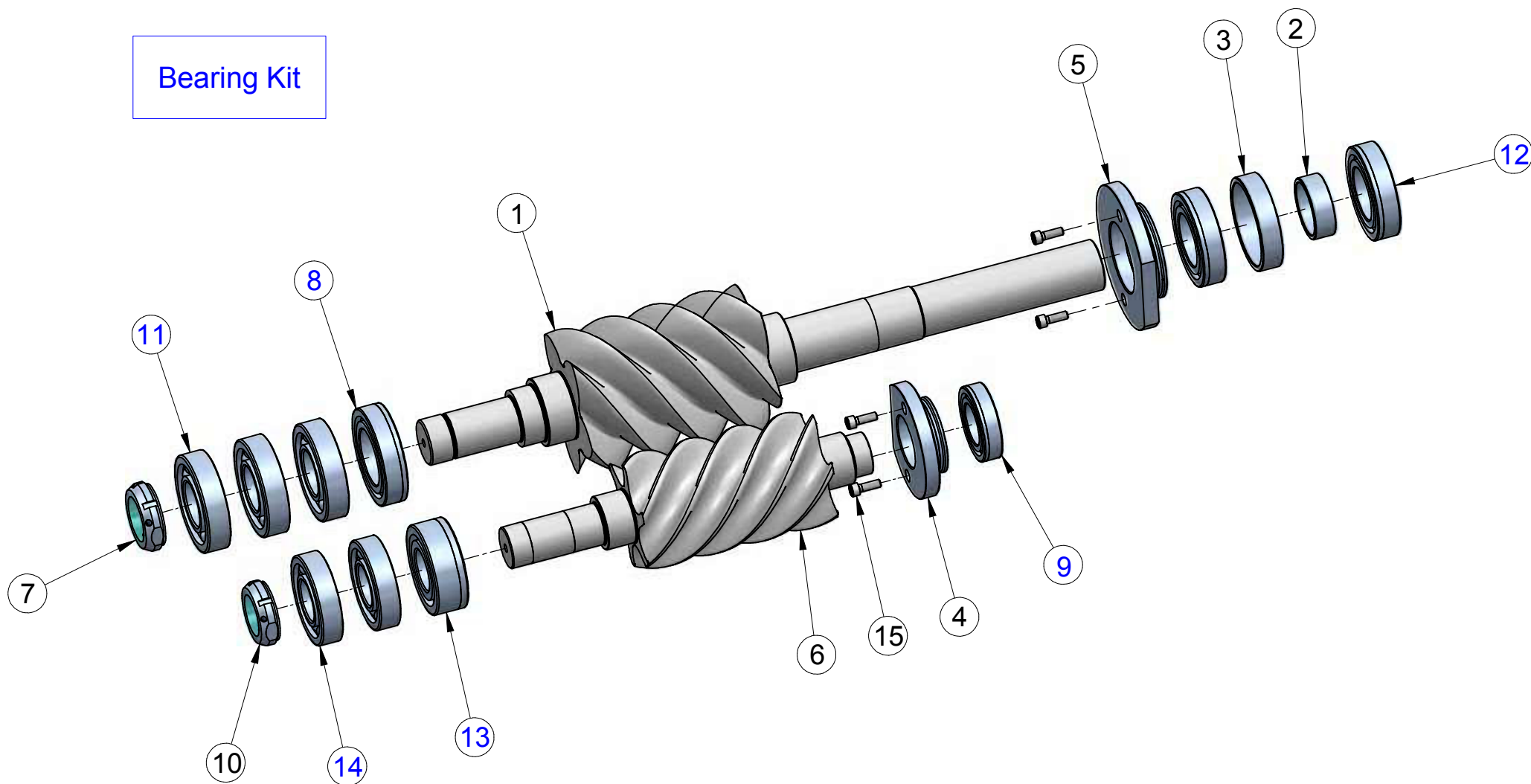
ATTENZIONE: il presente disegno è di esclusiva proprietà REFCOMP. E' fatto divieto di riproduzione e di divulgazione anche parziale secondo quanto regolato dalle norme vigenti.

ATTENTION: the present drawing is exclusively ownership of REFCOMP. Is forbidden to reproduce and to disclose, even if partially, the present document in conformity to law regulation in force.



Pos	Code	Description	Serial number	Note	Q.ty
Kit	303592	Bearings kit			1
1	503019	Male rotor '134-S-160' series			1
2	518200	Inner spacer bearing			1
3	518210	External spacer bearing			1
4	519471	Suction bush female rotor '134-S-160' series			1
5	519472	Suction bush male rotor '134-S-160' series			1
6	534004	Female rotor			1
7	612730	Block nut M60x2			1
8	613640	Cylindrical roller bearing			1
9	613650	Cylindrical roller bearing			1
10	613680	Block nut M55x2			1
11	614040	Ball bearing			3
12	614200	Cylindrical roller bearing			2
13	614513	Cylindrical roller bearing			1
14	614514	Ball bearing			2
15	614570	Screw M10x60			4

Bearing Kit



134-S-180 Rotor

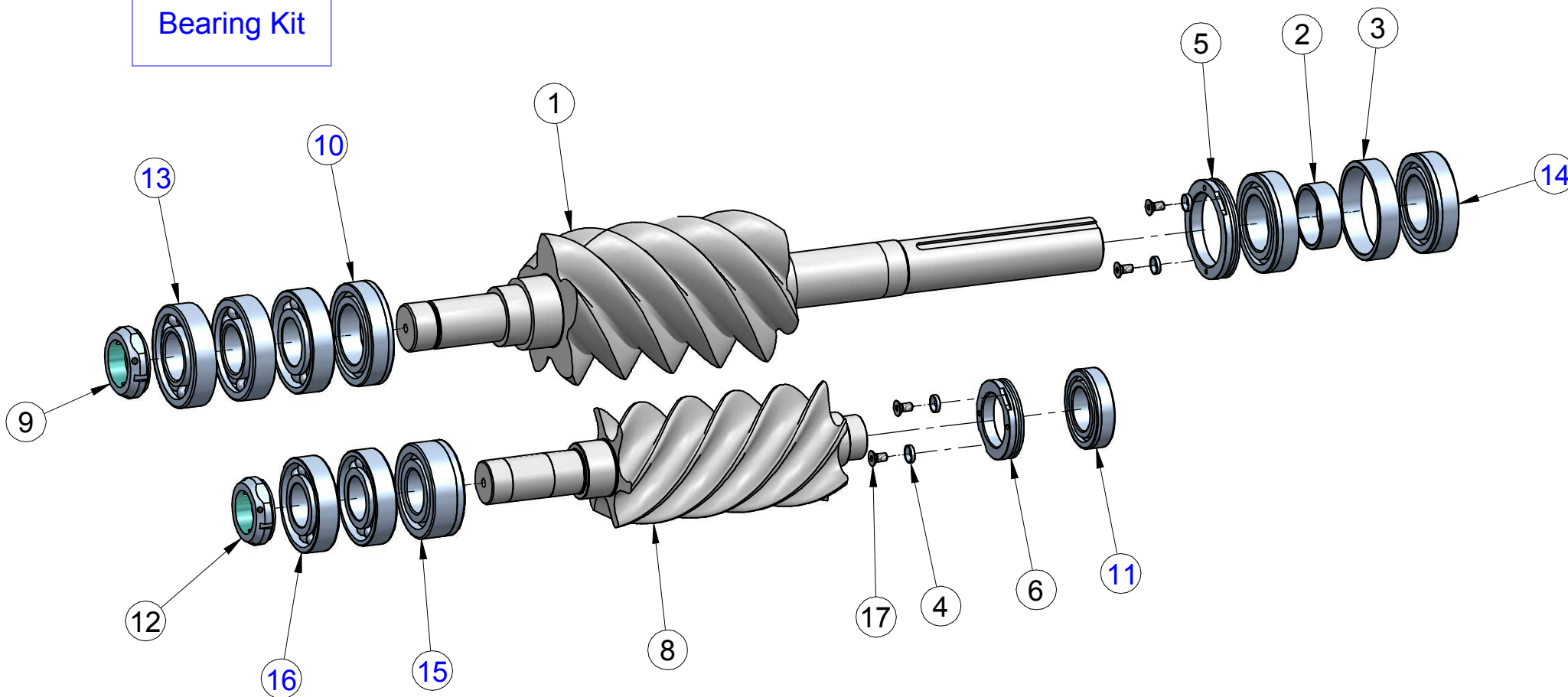
ATTENZIONE: il presente disegno è di esclusiva proprietà REFCOMP. E' fatto divieto di riproduzione e di divulgazione anche parziale secondo quanto regolato dalle norme vigenti.

ATTENTION: the present drawing is exclusively ownership of REFCOMP. Is forbidden to reproduce and to disclose, even if partially, the present document in conformity to law regulation in force.



Pos	Code	Description	Serial number	Note	Q.ty
Kit	303592	Bearings kit			1
1	503018	Male rotor '134-S-180' series			1
2	518200	Inner spacer bearing			1
3	518210	External spacer bearing			1
4	519469	Suction bush female rotor '134-S-180' series			1
5	519470	Suction bush male rotor '134-S-180' series			1
6	534003	Female rotor			1
7	612730	Block nut M60x2			1
8	613640	Cylindrical roller bearing			1
9	613650	Cylindrical roller bearing			1
10	613680	Block nut M55x2			1
11	614040	Ball bearing			3
12	614200	Cylindrical roller bearing			2
13	614513	Cylindrical roller bearing			1
14	614514	Ball bearing			2
15	614575	Screw M10x30			4

Bearing Kit



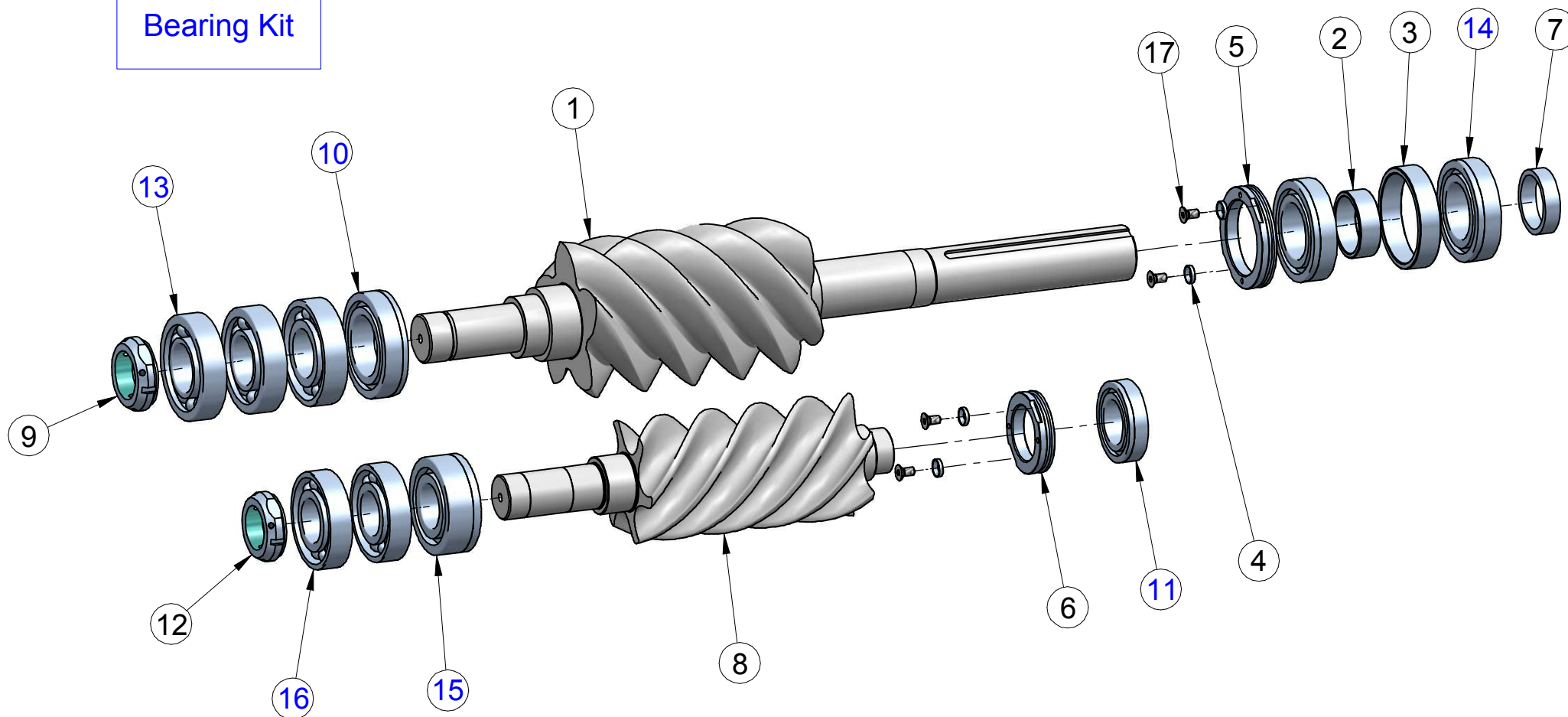
**134-S-210 Rotor**

ATTENZIONE: il presente disegno è di esclusiva proprietà REFCOMP. E' fatto divieto di riproduzione e di divulgazione anche parziale secondo quanto regolato dalle norme vigenti.

ATTENTION: the present drawing is exclusively ownership of REFCOMP. Is forbidden to reproduce and to disclose, even if partially, the present document in conformity to law regulation in force.

Pos	Code	Description	Serial number	Note	Q.ty
Kit	303592	Bearings kit			1
1	503043	Male rotor			1
2	518200	Inner spacer bearing			1
3	518210	External spacer bearing			1
4	519260	Stopping flared washer M10			4
5	519374	Male rotor suction bush '134-S-210/220' series			1
6	519375	Female rotor suction bush '134-S-210/220' series			1
8	534053	Female rotor			1
9	612730	Block nut M60x2			1
10	613640	Cylindrical roller bearing			1
11	613650	Cylindrical roller bearing			1
12	613680	Block nut M55x2			1
13	614040	Ball bearing			3
14	614200	Cylindrical roller bearing			2
15	614513	Cylindrical roller bearing			1
16	614514	Ball bearing			2
17	614529	Screw M10x20			4

Bearing Kit

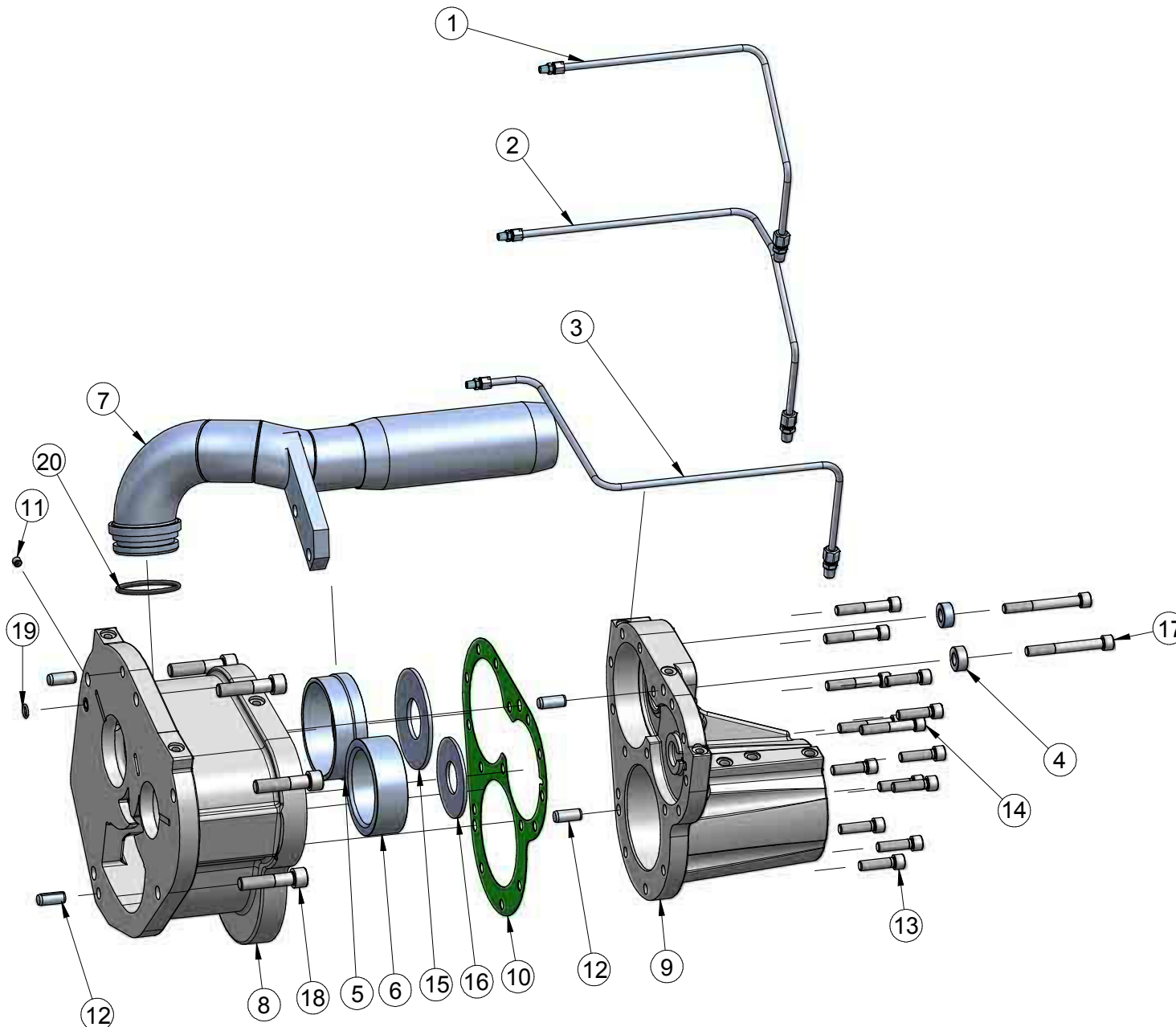


134-S-220 Rotor

ATTENZIONE: il presente disegno è di esclusiva proprietà REFCOMP. E' fatto divieto di riproduzione e di divulgazione anche parziale secondo quanto regolato dalle norme vigenti.

ATTENTION: the present drawing is exclusively ownership of REFCOMP. Is forbidden to reproduce and to disclose, even if partially, the present document in conformity to law regulation in force.

Pos	Code	Description	Serial number	Note	Q.ty
Kit	303592	Bearings kit			1
1	503043	Male rotor			1
2	518200	Inner spacer bearing			1
3	518210	External spacer bearing			1
4	519260	Stopping flared washer M10			4
5	519374	Male rotor suction bush '134-S-210/220' series			1
6	519375	Female rotor suction bush '134-S-210/220' series			1
7	519566	Electric rotor spacer			1
8	534053	Female rotor			1
9	612730	Block nut M60x2			1
10	613640	Cylindrical roller bearing			1
11	613650	Cylindrical roller bearing			1
12	613680	Block nut M55x2			1
13	614040	Ball bearing			3
14	614200	Cylindrical roller bearing			2
15	614513	Cylindrical roller bearing			1
16	614514	Ball bearing			2
17	614529	Screw M10x20			4



### Bearing housing + bearing housing cover

ATTENZIONE: il presente disegno è di esclusiva proprietà REFCOMP.  
E' fatto divieto di riproduzione e di divulgazione anche parziale secondo  
quanto regolato dalle norme vigenti.

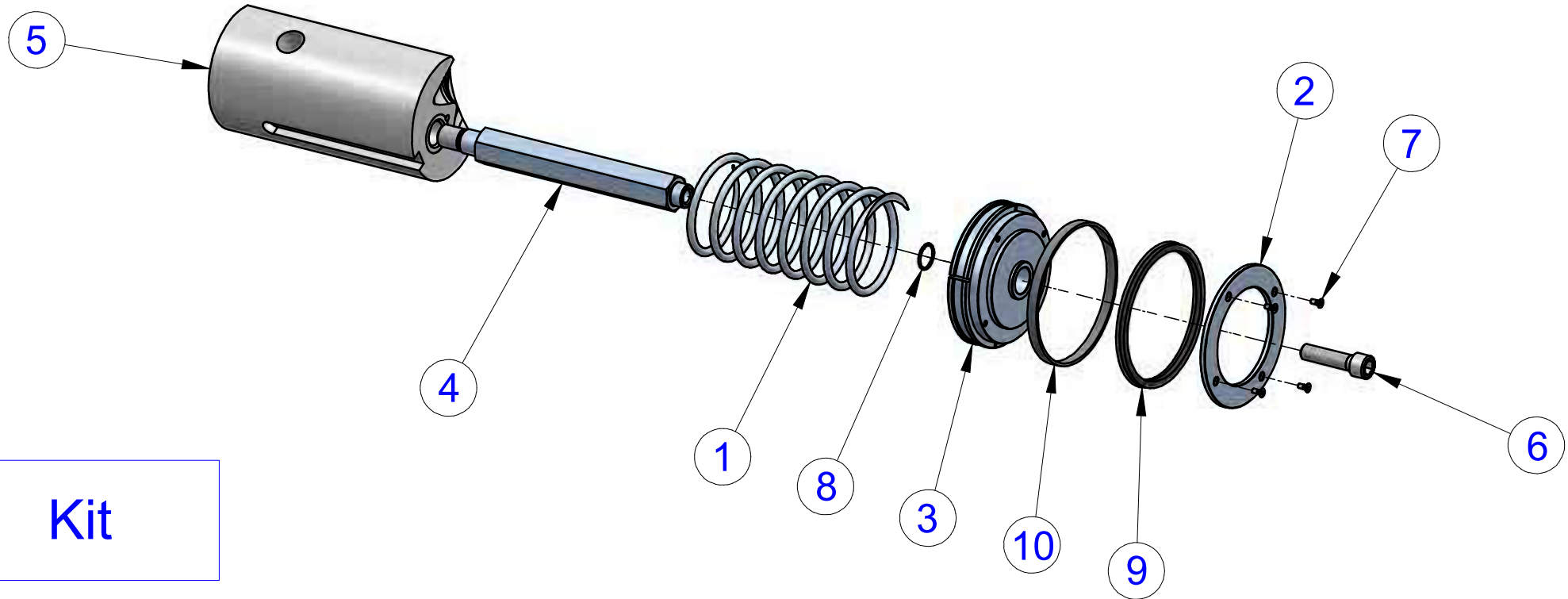
ATTENTION: the present drawing is exclusively ownership of REFCOMP.  
Is forbidden to reproduce and to disclose, even if partialy, the present  
document in conformity to law regulation in force.



Pos	Code	Description	Serial number	Note	Q.ty
1	503059	Slide valve pipe assembly 75%			1
2	503060	Slide valve pipe assembly 50%			1
3	503061	Slide valve pipe assembly 25%			1
4	519475	Spacer Ø15xØ30x13			2
5	519481	Bearing spacer Ø115.4xØ130.5x41			1
6	519482	Bearing spacer Ø92xØ120x40			1
7	519491	High pressure discharge bush			1
8	534011	Bearing housing			1
9	534414	Bearing housing cover			1
10	592780	Bearing housing cover gasket			1
11	610680	Plug 1/8"NPT			1
12	611940	Cylindrical pin Ø14x35			4
13	612542	Screw M12x45			9
14	612543	Screw M12x70			5
15	613730	Conical spring Ø51xØ125x4			1
16	613740	Conical spring Ø41xØ100x4			1
17	614574	Screw M12x100			2
18	614577	Screw M16x70			5
19	691081	O-ring OR115			1
20	691145	O-ring OR6275			1
9	534080	Bearing housing cover			1
9	534415	Bearing housing cover			1
18	614557	Screw M16x50			5

**Bearing housing + bearing housing cover**

[www.refcomp.it](http://www.refcomp.it)  
[spareparts@refcomp.it](mailto:spareparts@refcomp.it)



Kit

### Slide valve

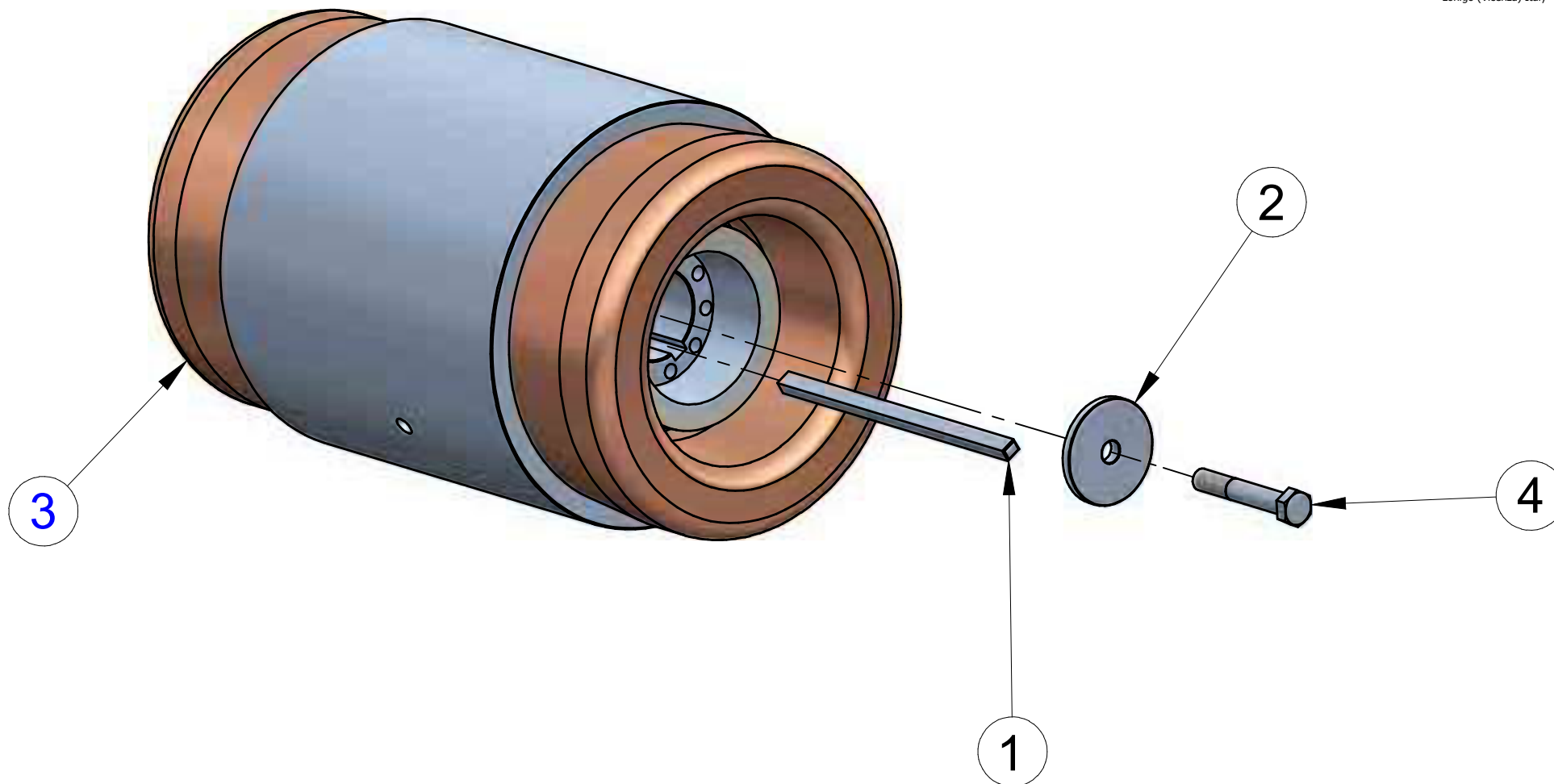
ATTENZIONE: il presente disegno è di esclusiva proprietà REFCOMP. E' fatto divieto di riproduzione e di divulgazione anche parziale secondo quanto regolato dalle norme vigenti.

ATTENTION: the present drawing is exclusively ownership of REFCOMP. Is forbidden to reproduce and to disclose, even if partialy, the present document in conformity to law regulation in force.

Pos	Code	Description	Serial number	Note	Q.ty
Kit	303750	Slide valve kit Vi=3.2			1
Kit	303751	Slide valve kit Vi=3.2			1
Kit	303752	Slide valve kit Vi=3.2			1
1	519191	Spring slide valve			1
2	519224	Front part control piston			1
3	519342	Control piston			1
4	519522	Command piston rod			1
5	519706	Slide valve Vi=2.2			1
5	519708	Slide valve Vi=2.2			1
5	534111	Slide valve Vi=3.2			1
5	534113	Slide valve Vi=3.2			1
5	534114	Slide valve Vi=2.6			1
5	534115	Slide valve Vi=3.2			1
5	534281	Slide valve Vi=2.6			1
5	534282	Slide valve Vi=2.6			1
5	534314	Slide valve Vi=2.6			1
5	534363	Slide valve Vi=2.2			1
5	534372	Slide valve Vi=2.2			1
5	534406	Slide valve Vi=4.4			1
5	534407	Slide valve Vi=4.4			1
6	612470	Screw M14x55			1
7	612980	Screw M4x10			4
8	690160	O-ring OR2081			1
9	691131	Gasket			1
10	691132	Band gasket control piston			1
Kit	304195				1
Kit	304196				1
Kit	304197				1
5	534709				1
5	534710				1
5	534713				1
5	534714				1
5	534715				1
5	534716				1
5	534717				1
5	534718				1
5	534719				1
5	534720				1
5	534721				1
5	534722				1
5	534723				1

Slide valve

Model: 134-S-160\_180\_210\_220



**Kit**

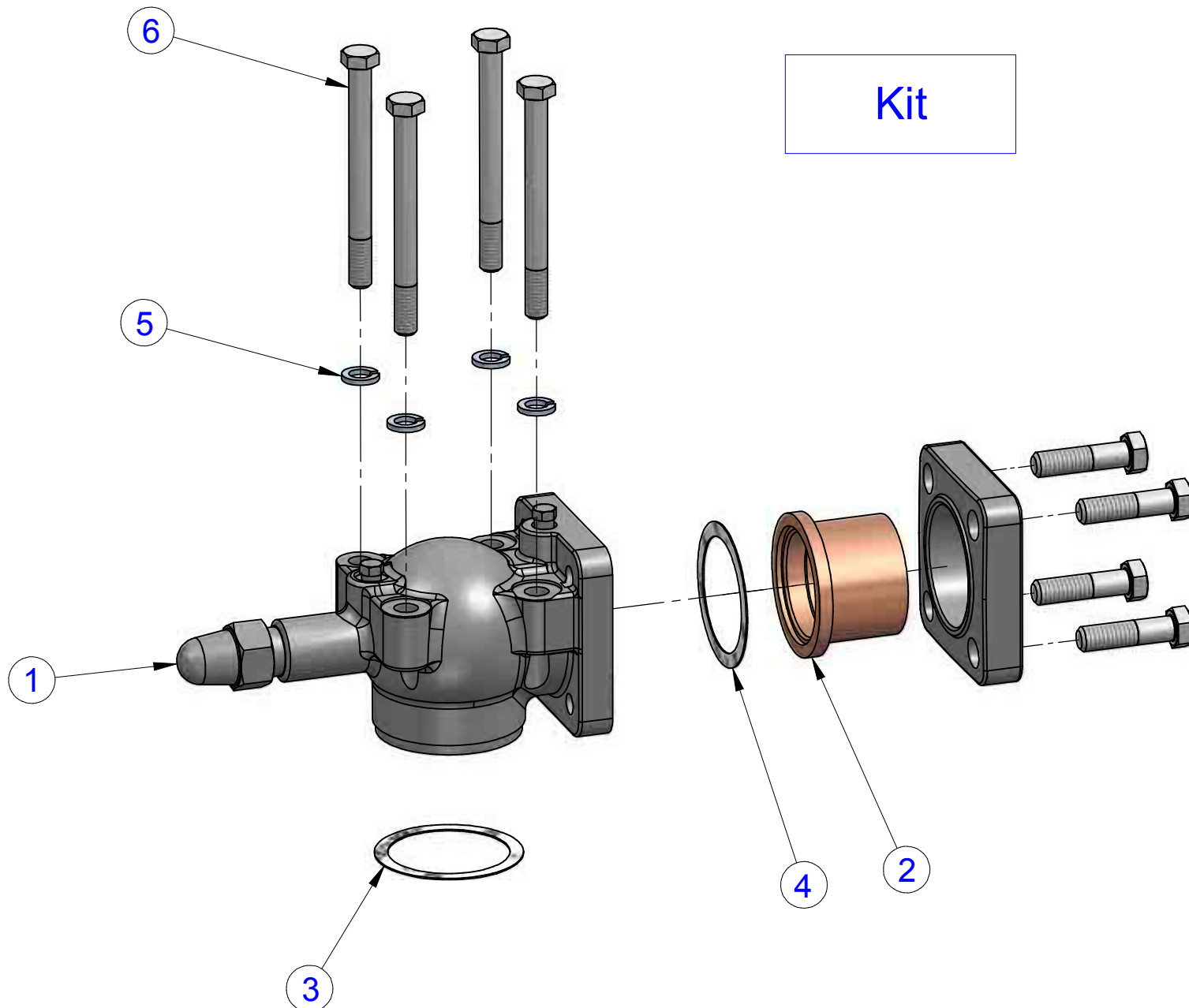
## Electrical motor

ATTENZIONE: il presente disegno è di esclusiva proprietà REFCOMP.  
E' fatto divieto di riproduzione e di divulgazione anche parziale secondo  
quanto regolato dalle norme vigenti.

ATTENTION: the present drawing is exclusively ownership of REFCOMP.  
Is forbidden to reproduce and to disclose, even if partially, the present  
document in conformity to law regulation in force.

Pos	Code	Description	Serial number	Note	Q.ty
1	516770	Key 12.7x10x254			1
2	517240	Shaft washer			1
3	583750	Electric motor 400V/3/50Hz Y/D			1
3	583751	Electric motor 400V/3/50Hz Y/D			1
3	583752	Electric motor 400V/3/50Hz Y/D			1
3	583753	Electric motor 400V/3/50Hz Y/D			1
3	583754	Electric motor 400V/3/50Hz Y/D			1
4	614487	Screw M16x100			1
Kit	304153	Electric motor kit 400V/3/50Hz Y/D			1
Kit	304154	Electric motor kit 400V/3/50Hz Y/D			1
Kit	303658	Electric motor kit 400V/3/50Hz Y/D			1
Kit	303659	Electric motor kit 400V/3/50Hz Y/D			1
Kit	303660	Electric motor kit 400V/3/50Hz Y/D			1

Model: 134-S-160\_180\_210\_220



### Discharge shut-off valve

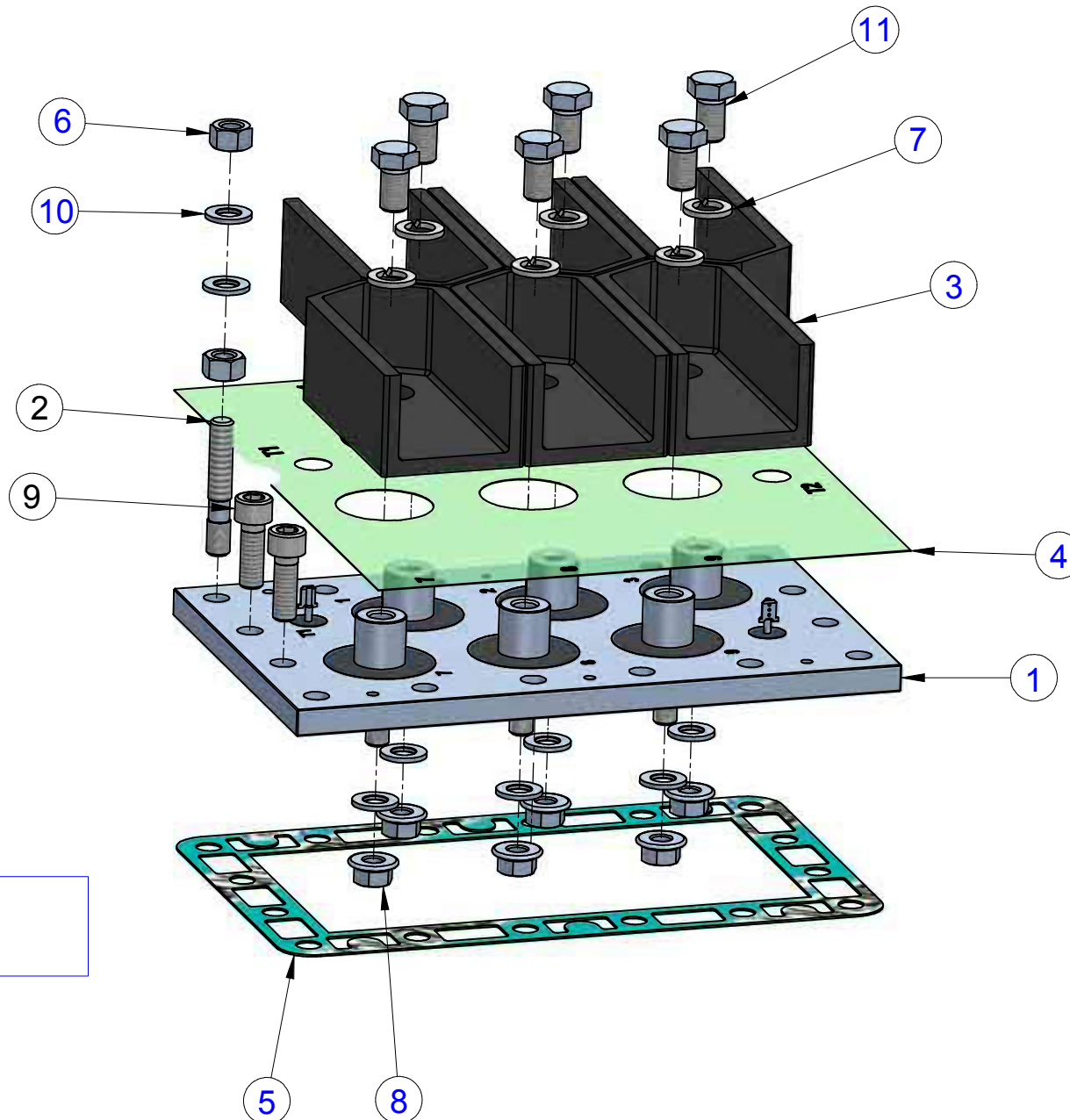
ATTENZIONE: il presente disegno è di esclusiva proprietà REFCOMP. E' fatto divieto di riproduzione e di divulgazione anche parziale secondo quanto regolato dalle norme vigenti.

ATTENTION: the present drawing is exclusively ownership of REFCOMP. Is forbidden to reproduce and to disclose, even if partially, the present document in conformity to law regulation in force.



Pos	Code	Description	Serial number	Note	Q.ty
Kit	300180	Shut-off valve kit l=99 Ø67			1
Kit	303830	Shut-off valve kit l=99 Ø76			1
Kit	303984	Shut-off valve kit l=99 Ø54			1
Kit	304070	Shut-off valve kit l=99 Ø80		Standard Kit	1
1	500250	Shut-off valve l=99			1
2	510500	Bush Ø80		Standard	1
2	510550	Bush Ø67			1
2	510560	Bush Ø76			1
2	513420	Bush Ø54			1
3	590250	Shut-off valve gasket Ø87.5xØ106.8x1			1
4	591130	Shut-off valve gasket Ø84.8xØ105.8x1			1
5	610940	Galvanized grower washer M16			4
6	614080	Galvanized screw M16x170			4

**Discharge shut-off valve**



Kit

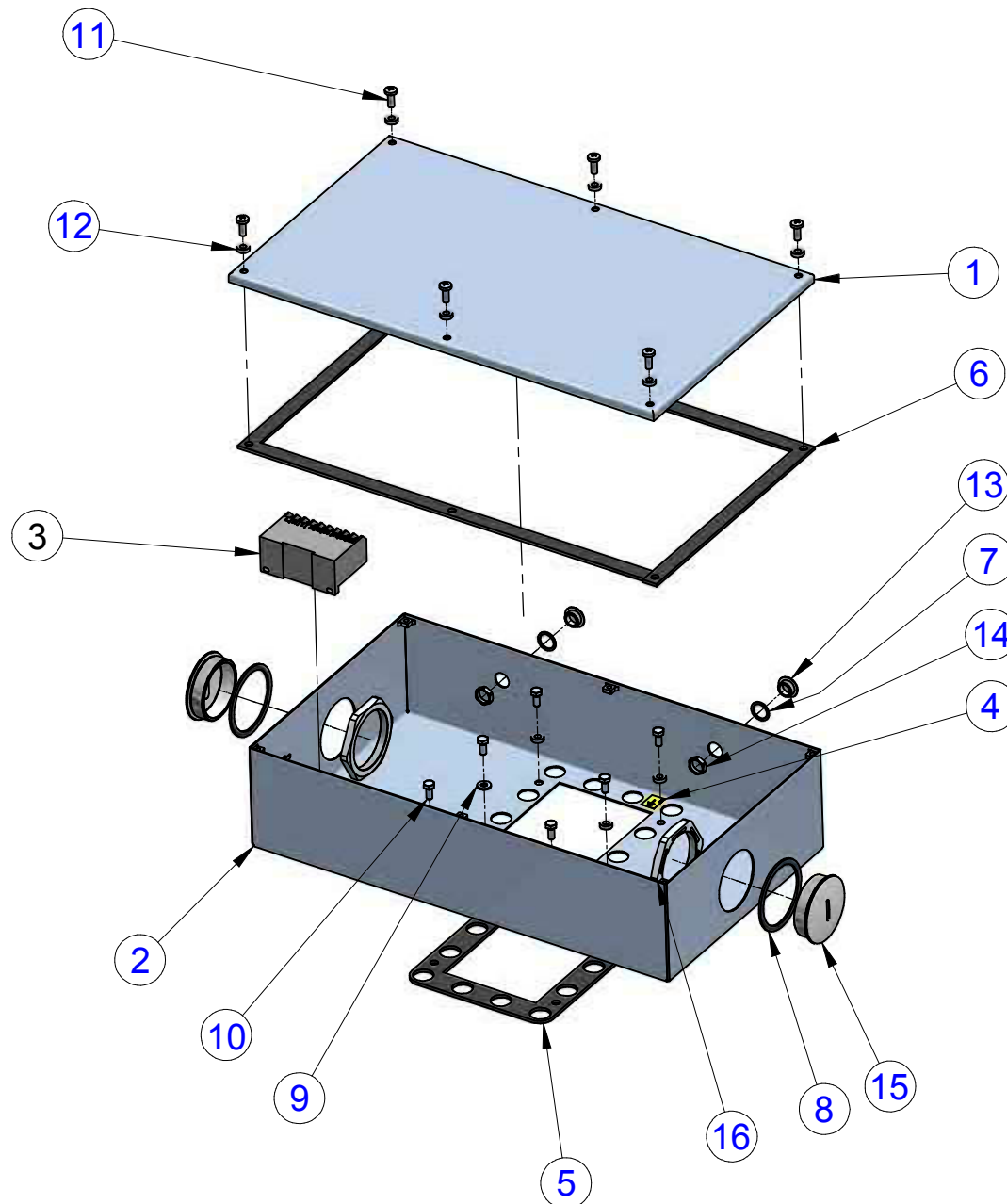
## Terminal plate

ATTENZIONE: il presente disegno è di esclusiva proprietà REFCOMP. E' fatto divieto di riproduzione e di divulgazione anche parziale secondo quanto regolato dalle norme vigenti.

ATTENTION: the present drawing is exclusively ownership of REFCOMP. Is forbidden to reproduce and to disclose, even if partially, the present document in conformity to law regulation in force.

Pos	Code	Description	Serial number	Note	Q.ty
Kit	303774	Terminal plate kit '134-S-160/180/210/220' series			1
1	502510	Terminal plate M12			1
2	512080	Tie rod M10x60			1
3	592420	Cable insulator			6
4	592480	Terminal electric scheme			1
5	592729	Terminal plate gasket			1
6	610820	Galvanized nut M10			2
7	610960	Galvanized grower washer M12			6
8	613250	Klock nut M10 galvanized			6
9	613900	Galvanized screw M10x30			15
10	613910	Plane washer Ø10.5xØ20x2			8
11	614190	Galvanized screw M12x20			6

**Terminal plate**



Kit

## Terminal box

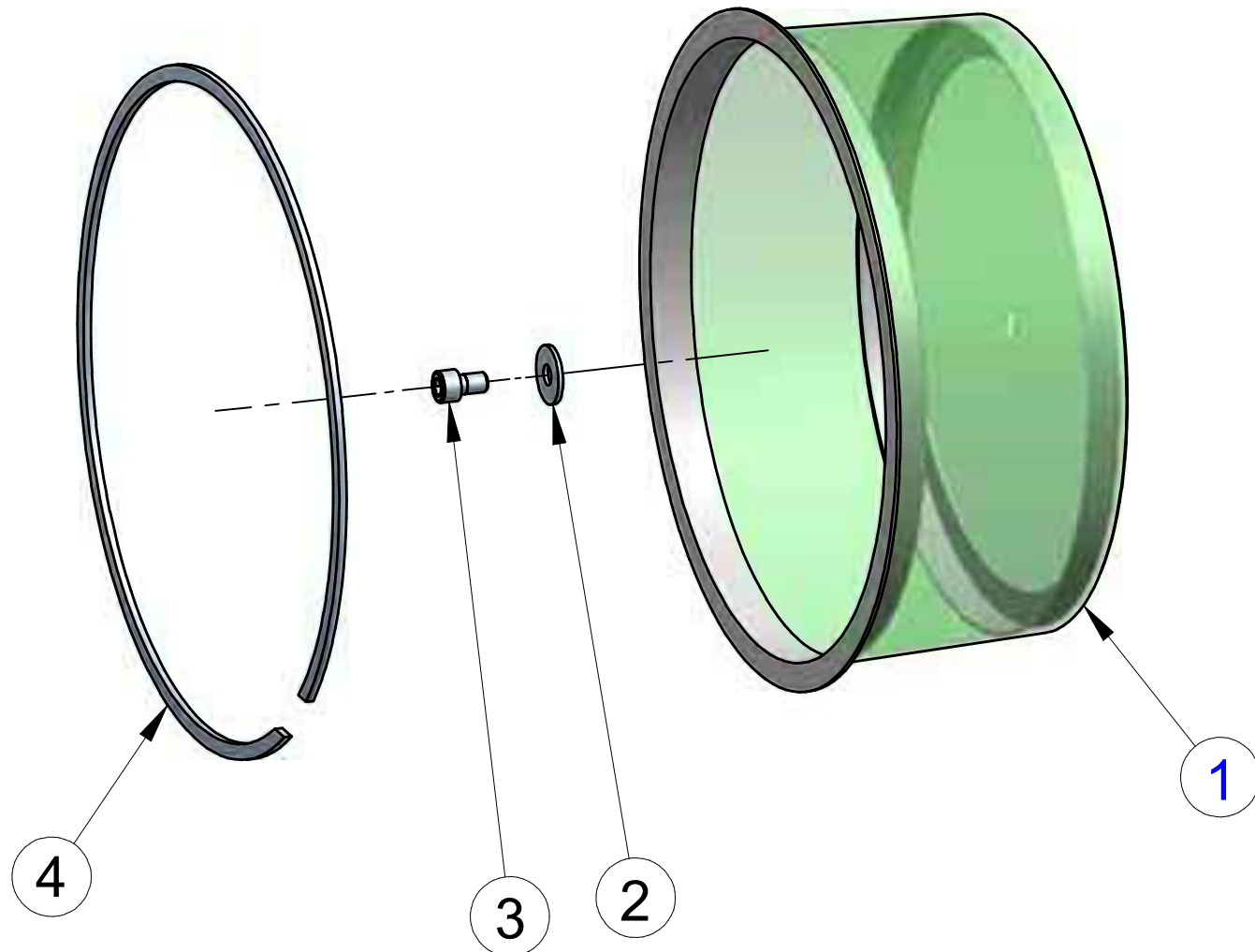
ATTENZIONE: il presente disegno è di esclusiva proprietà REFCOMP. E' fatto divieto di riproduzione e di divulgazione anche parziale secondo quanto regolato dalle norme vigenti.

ATTENTION: the present drawing is exclusively ownership of REFCOMP. Is forbidden to reproduce and to disclose, even if partially, the present document in conformity to law regulation in force.

Pos	Code	Description	Serial number	Note	Q.ty
3	303170	Motor protector kit			1
Kit	303376	Electric box kit '134-S-160/180/210/220' series			1
2	502600	Electric box			1
1	518260	Electrical box cover			1
4	585220	Ground label			1
5	592460	Electrical box gasket			1
6	592470	Electric box cover gasket			2
7	592826	Rubber washer gasket ISO 16			2
8	592830	Rubber washer ISO 63			2
9	611010	Plane washer Ø6x14x1.5			1
10	611150	Galvanized screw M6x14			6
11	613960	Galvanized screw M6x16			6
12	691107	Rubber washer miniplast MP16-6			11
13	691153	Plastic plug ISO 16			2
14	691154	Plastic nut ISO 16			2
15	691161	Plastic plug ISO 63			2
16	691162	Plastic nut ISO 63			2

**Terminal box**

Kit



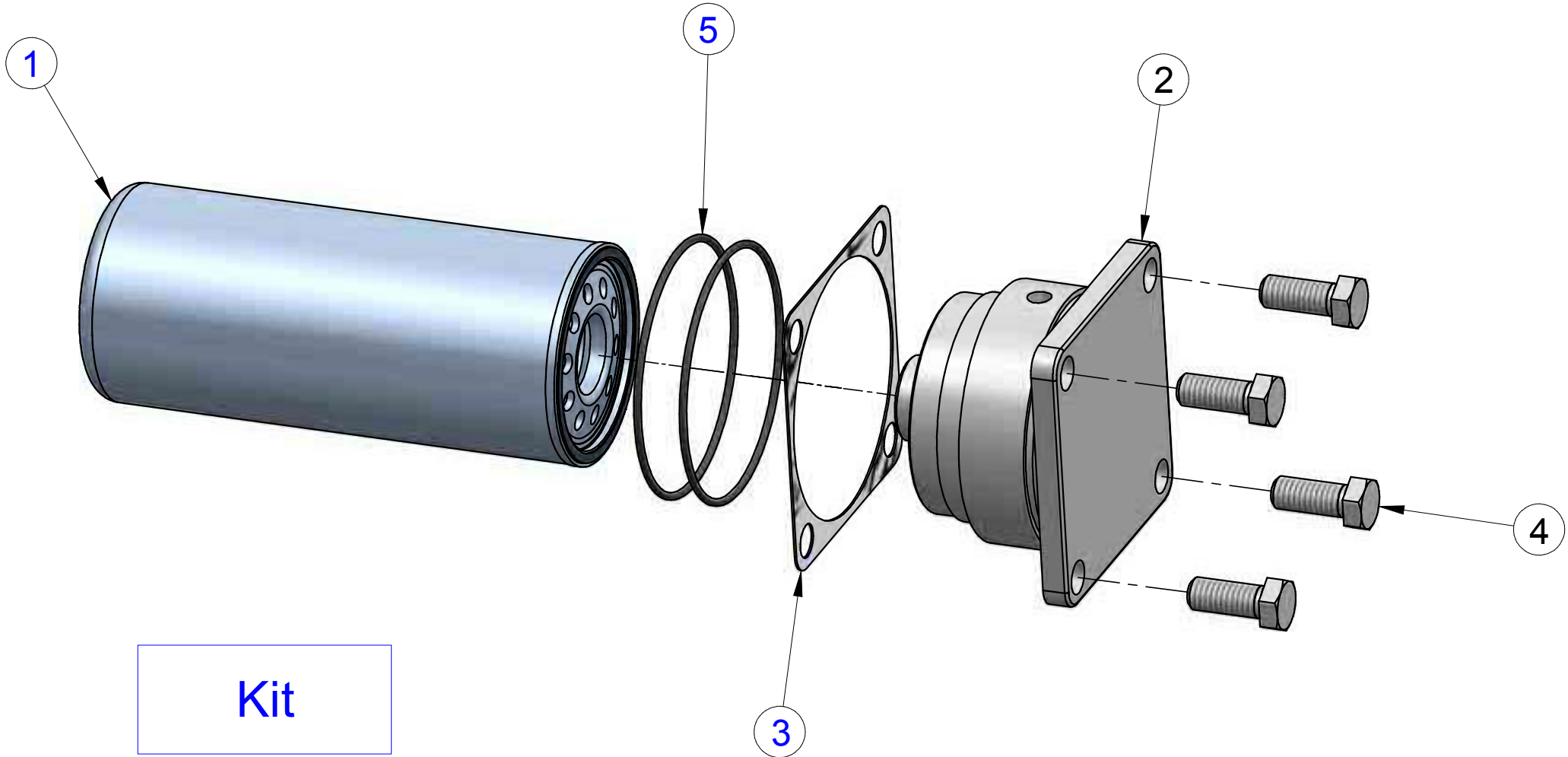
### Suction strainer

ATTENZIONE: il presente disegno è di esclusiva proprietà REFCOMP. E' fatto divieto di riproduzione e di divulgazione anche parziale secondo quanto regolato dalle norme vigenti.

ATTENTION: the present drawing is exclusively ownership of REFCOMP. Is forbidden to reproduce and to disclose, even if partially, the present document in conformity to law regulation in force.



Pos	Code	Description	Serial number	Note	Q.ty
Kit	303324	Suction filter kit			1
1	502971	Suction filter			1
2	611100	Plane washer Ø10xØ30x2			1
3	613940	Screw M10x16			1
4	614523	Seeger ring			1



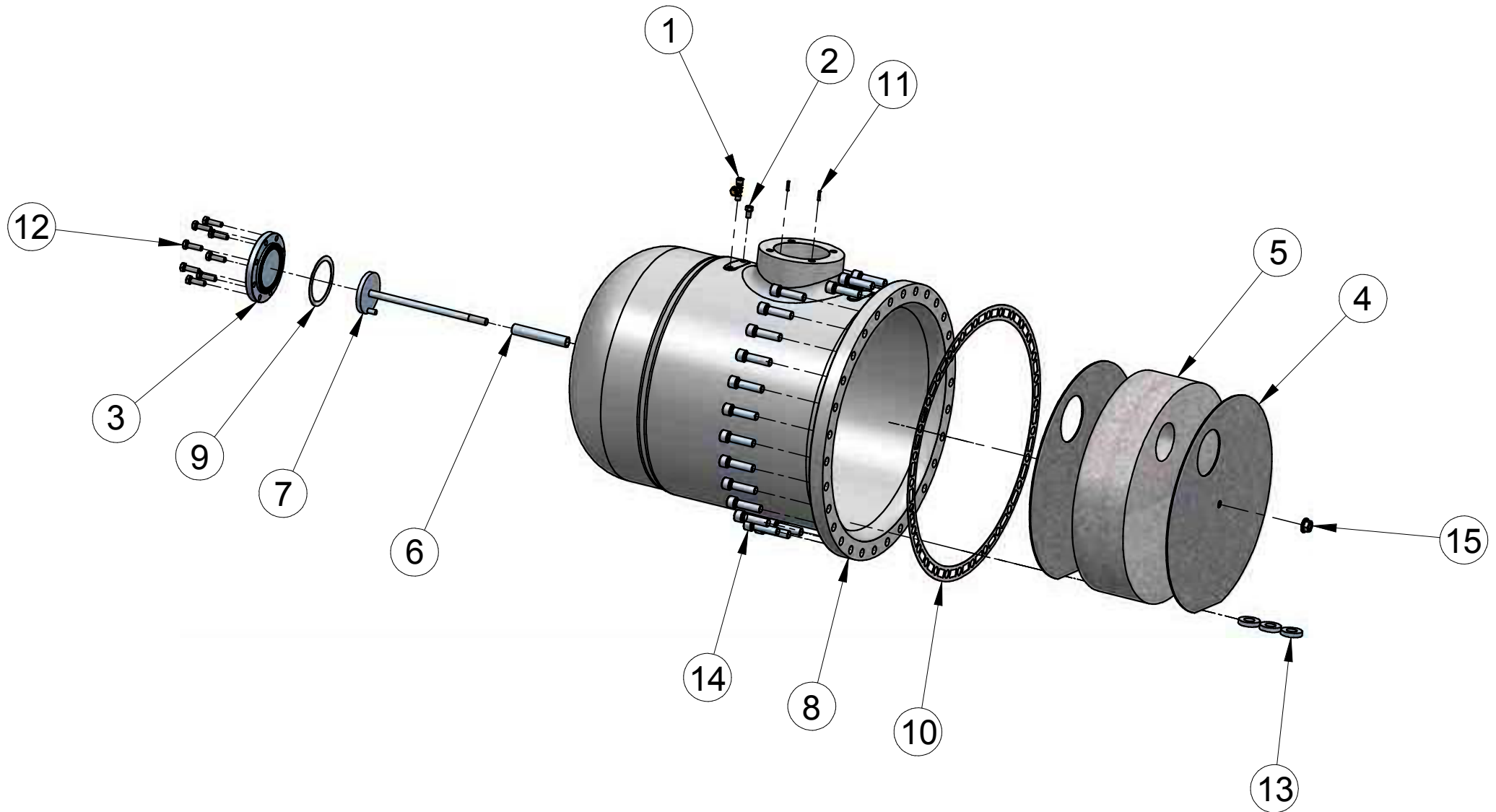
Kit

### Oil strainer

ATTENZIONE: il presente disegno è di esclusiva proprietà REFCOMP. E' fatto divieto di riproduzione e di divulgazione anche parziale secondo quanto regolato dalle norme vigenti.

ATTENTION: the present drawing is exclusively ownership of REFCOMP. Is forbidden to reproduce and to disclose, even if partially, the present document in conformity to law regulation in force.

Pos	Code	Description	Serial number	Note	Q.ty
Kit	303672	Oil filter kit			1
1	502973	Oil filter cartridge M42			1
2	533956	Oil filter plug			1
3	592785	Oil filter plug gasket			1
4	614500	Screw M16x40			4
5	691105	O-ring OR4487			2



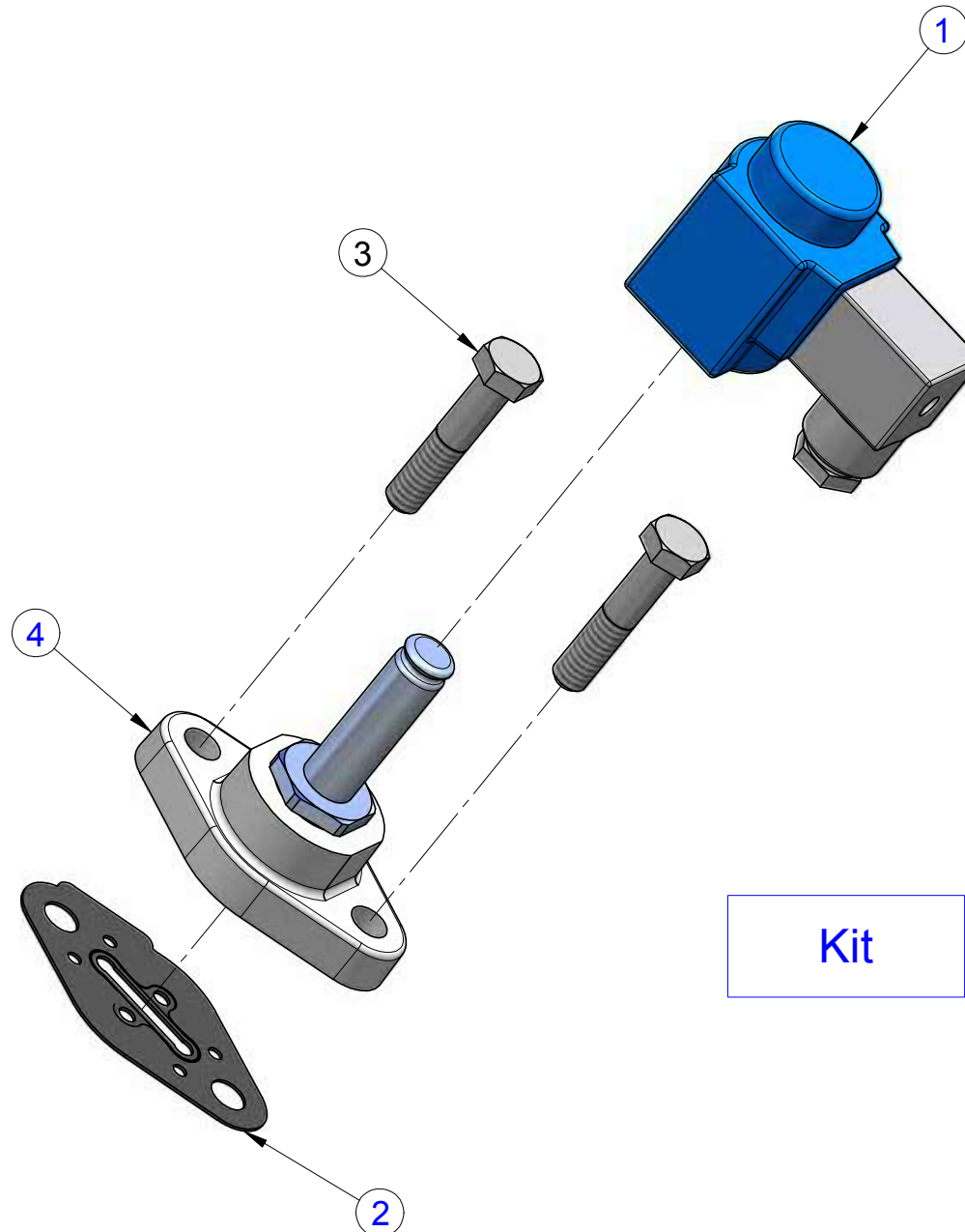
## Oil separator

ATTENZIONE: il presente disegno è di esclusiva proprietà REFCOMP. E' fatto divieto di riproduzione e di divulgazione anche parziale secondo quanto regolato dalle norme vigenti.

ATTENTION: the present drawing is exclusively ownership of REFCOMP. Is forbidden to reproduce and to disclose, even if partially, the present document in conformity to law regulation in force.

Pos	Code	Description	Serial number	Note	Q.ty
1	503076	Connection 1/8"NPT-1/4"-1/4"-1/4"SAE			1
2	519143	Plug 1/8" NPT			1
3	519203	High pressure cover plate			1
4	519309	Punched metal sheet oil separator			2
5	519310	Demister			1
6	519318	Spacer pipe			1
7	519319	Oil separator tie rod			1
8	533888	Oil separator			1
9	590250	Shut-off valve gasket Ø87.5xØ106.8x1			1
10	592010	Oil separator/rotor housing gasket			1
11	611810	Elastic pin Ø4x20			2
12	612150	Galvanized screw M10x35			8
13	612490	Magnet			3
14	614020	Screw M16x60			30
15	614517	Klock nut M14 galvanized			1

Model: 134-S-160\_180\_210\_220



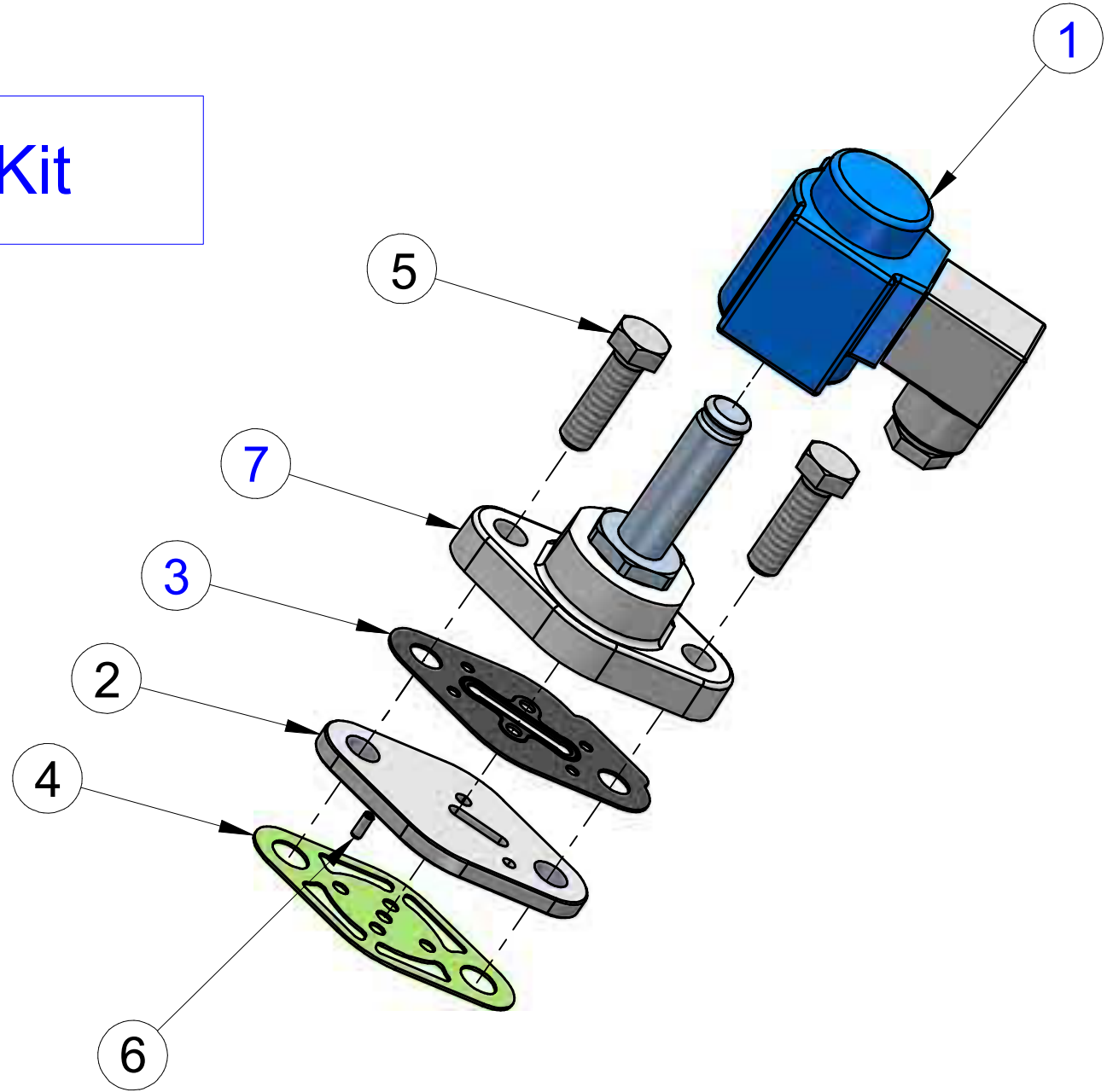
## Capacity control solenoid valve

ATTENZIONE: il presente disegno è di esclusiva proprietà REFCOMP.  
E' fatto divieto di riproduzione e di divulgazione anche parziale secondo  
quanto regolato dalle norme vigenti.

ATTENTION: the present drawing is exclusively ownership of REFCOMP.  
Is forbidden to reproduce and to disclose, even if partialy, the present  
document in conformity to law regulation in force.

Pos	Code	Description	Serial number	Note	Q.ty
Kit	304123	Solenoid valve kit 230V 50-60Hz R134A			1
1	503330	Coil 230V-50/60Hz			1
2	592731	Solenoid valve gasket l=65			1
3	611370	Screw M10x30			2
4	760450	Solenoid valve			1

Kit



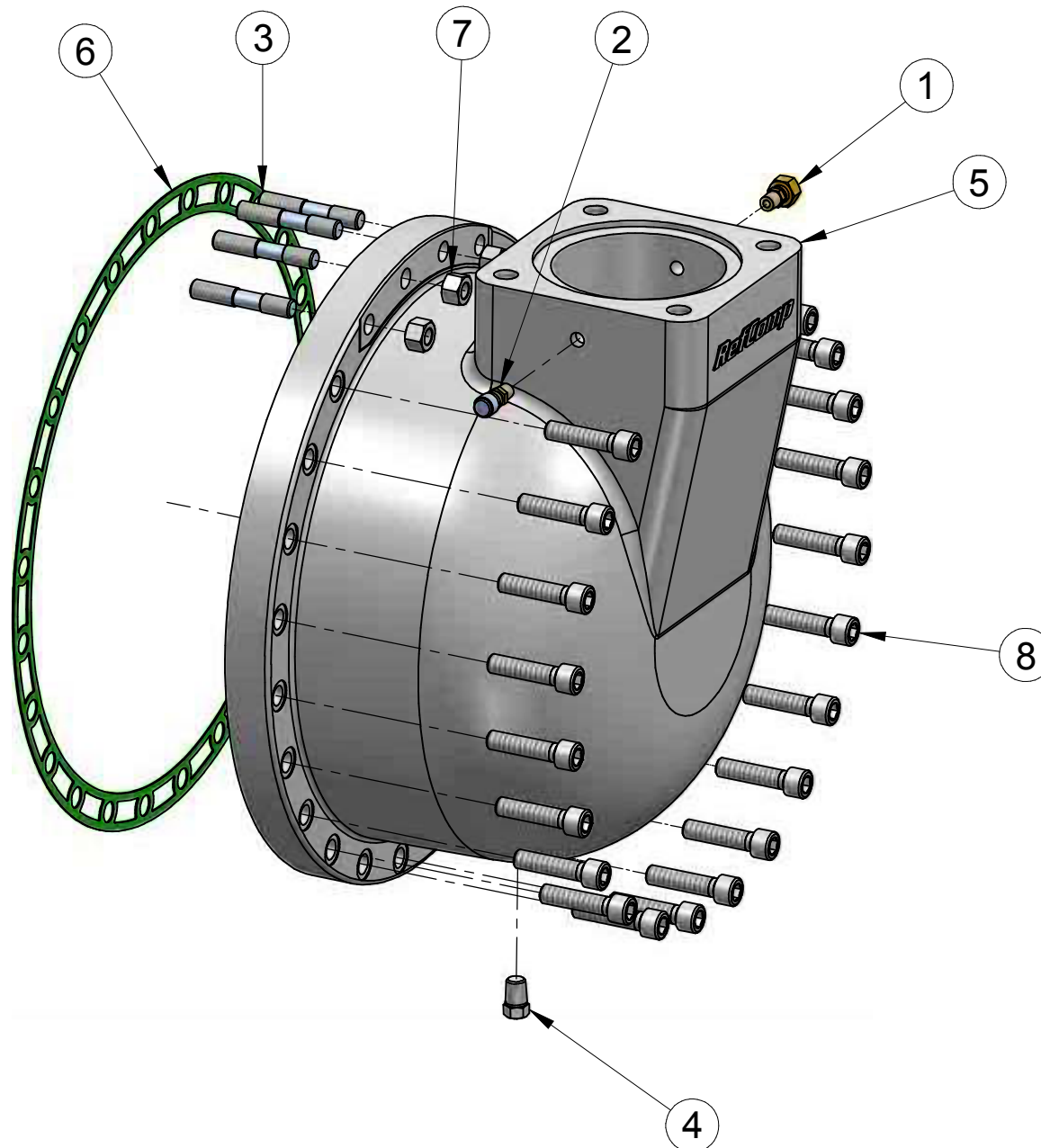
**'L4' Capacity control solenoid valve**

ATTENZIONE: il presente disegno è di esclusiva proprietà REFCOMP. E' fatto divieto di riproduzione e di divulgazione anche parziale secondo quanto regolato dalle norme vigenti.

ATTENTION: the present drawing is exclusively ownership of REFCOMP. Is forbidden to reproduce and to disclose, even if partialy, the present document in conformity to law regulation in force.



Pos	Code	Description	Serial number	Note	Q.ty
Kit	304123	Solenoid valve kit 230V 50-60Hz R134A			1
1	503330	Coil 230V-50/60Hz			1
2	519422	Capacity control plate 'L4'			1
3	592731	Solenoid valve gasket l=65			1
4	592762	Solenoid valve/plate gasket			1
5	612150	Galvanized screw M10x35			2
6	614566	Elastic pin Ø8x3			1
7	760450	Solenoid valve			1



## Suction cover

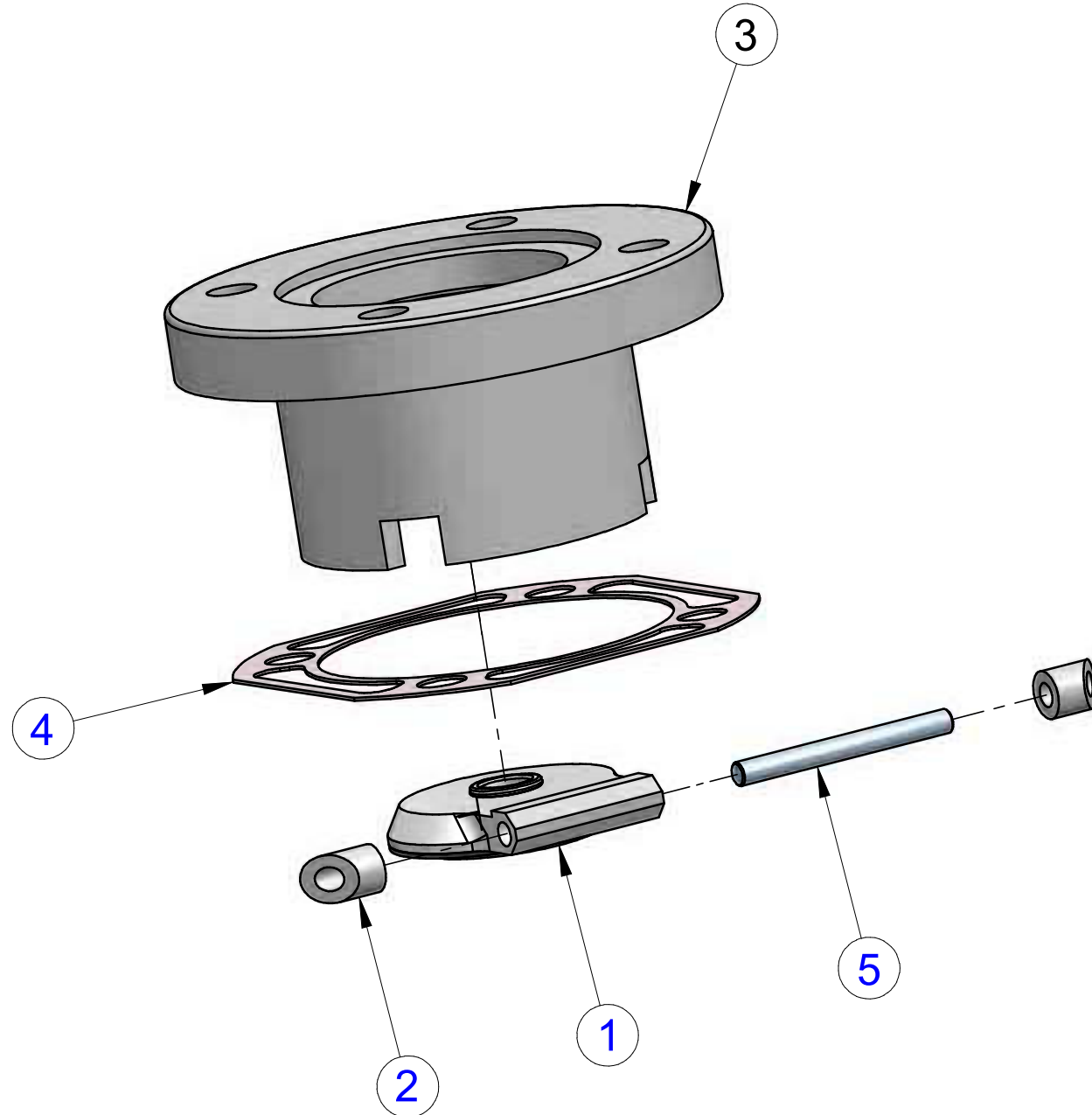
ATTENZIONE: il presente disegno è di esclusiva proprietà REFCOMP. E' fatto divieto di riproduzione e di divulgazione anche parziale secondo quanto regolato dalle norme vigenti.

ATTENTION: the present drawing is exclusively ownership of REFCOMP. Is forbidden to reproduce and to disclose, even if partially, the present document in conformity to law regulation in force.

Pos	Code	Description	Serial number	Note	Q.ty
1	500263	Straight connection 1/8"NPT-1/4"SAE			1
2	503076	Connection 1/8"NPT-1/4"-1/4"-1/4"SAE			1
3	510970	Stud M12x70			4
4	519147	Plug 1/4" NPT			1
5	533795	Suction cover			1
6	592746	Suction cover gasket			1
7	610830	Nut M12			4
8	613820	Galvanized screw M12x50			20

Model: 134-S-160\_180\_210\_220

Kit

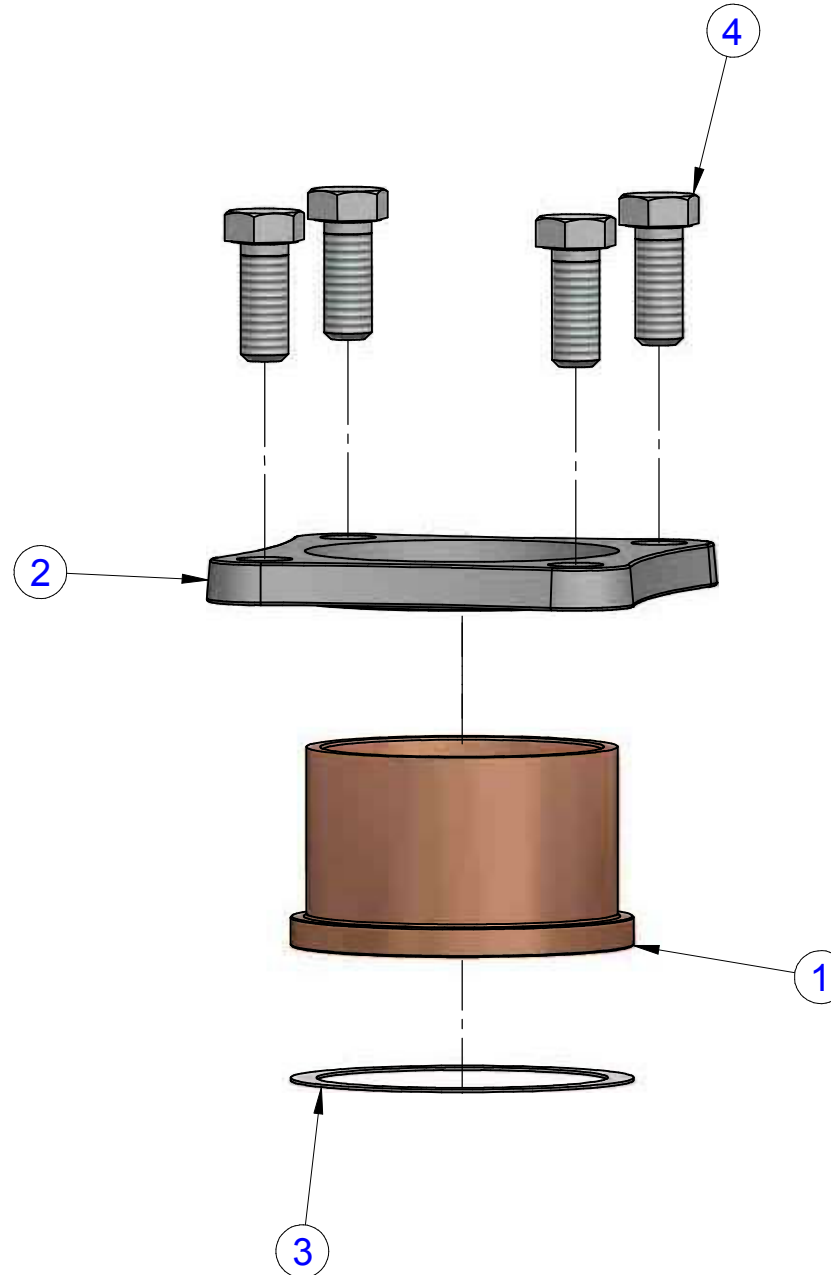


## Check valve

ATTENZIONE: il presente disegno è di esclusiva proprietà REFCOMP.  
E' fatto divieto di riproduzione e di divulgazione anche parziale secondo  
quanto regolato dalle norme vigenti.

ATTENTION: the present drawing is exclusively ownership of REFCOMP.  
Is forbidden to reproduce and to disclose, even if partially, the present  
document in conformity to law regulation in force.

Pos	Code	Description	Serial number	Note	Q.ty
Kit	303564	Check valve bush kit			1
1	502590	Check valve			1
2	517420	Insert			2
3	534045	Check valve bush			1
4	592782	Check valve bush gasket			1
5	610980	Cilyndrical pin Ø8x80			1



Kit

### Suction bush

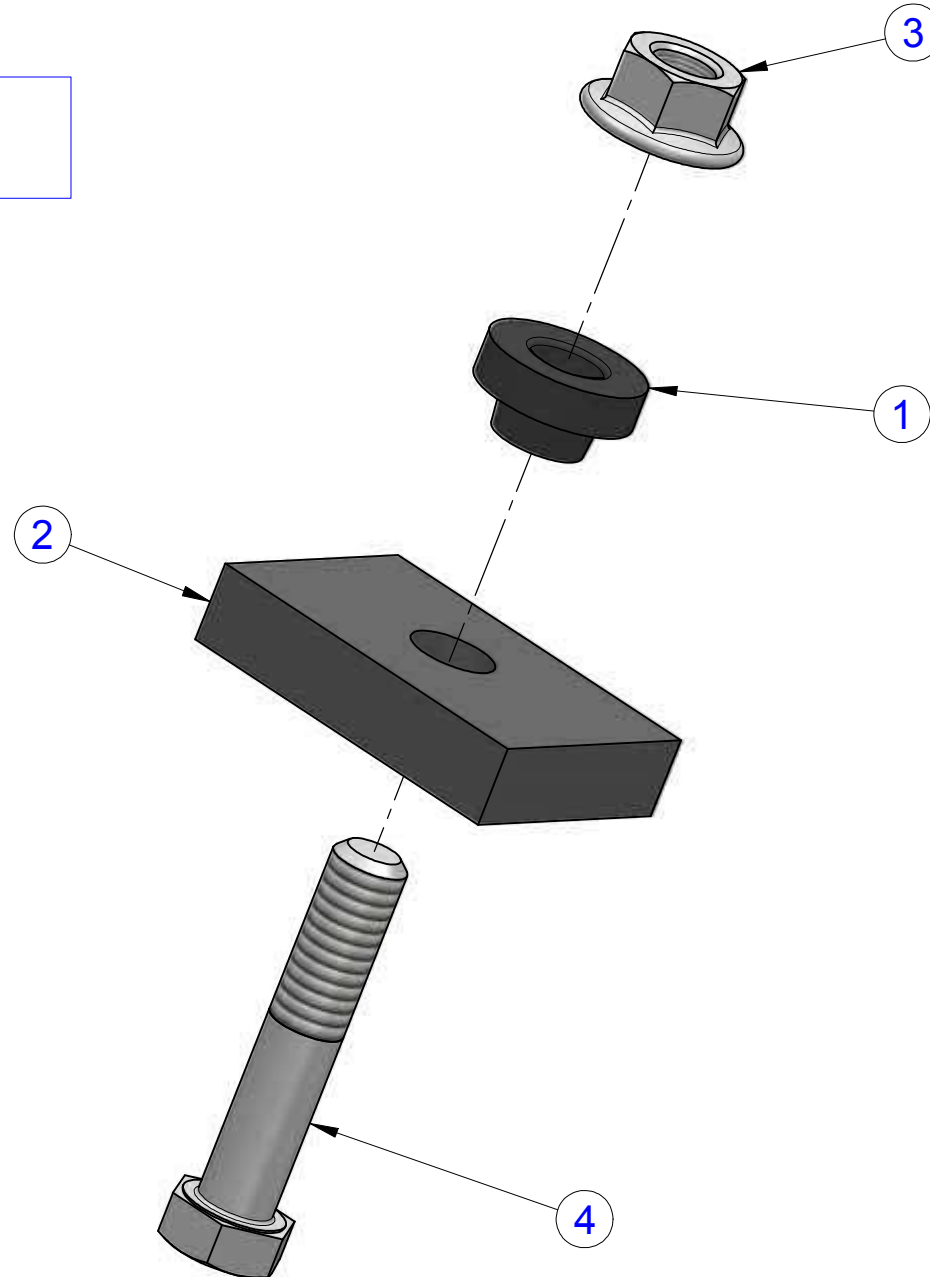
ATTENZIONE: il presente disegno è di esclusiva proprietà REFCOMP. E' fatto divieto di riproduzione e di divulgazione anche parziale secondo quanto regolato dalle norme vigenti.

ATTENTION: the present drawing is exclusively ownership of REFCOMP. Is forbidden to reproduce and to disclose, even if partially, the present document in conformity to law regulation in force.

Pos	Code	Description	Serial number	Note	Q.ty
Kit	303508	Flange + bush kit Ø105		Standard Kit	1
Kit	303538	Flange + bush kit Ø80			1
1	519239	Bush Ø105		Standard	1
2	519240	Flange l=122			1
1	519278	Bush Ø108			1
1	519289	Bush Ø80			1
1	519361	Bush Ø89			1
1	519376	Bush Ø77			1
3	592745	Shut-off valve gasket Ø110.5xØ130x1			1
4	610011	Galvanized screw M18x45			4

Model: 134-S-160\_180\_210\_220

Kit



## Dumpers

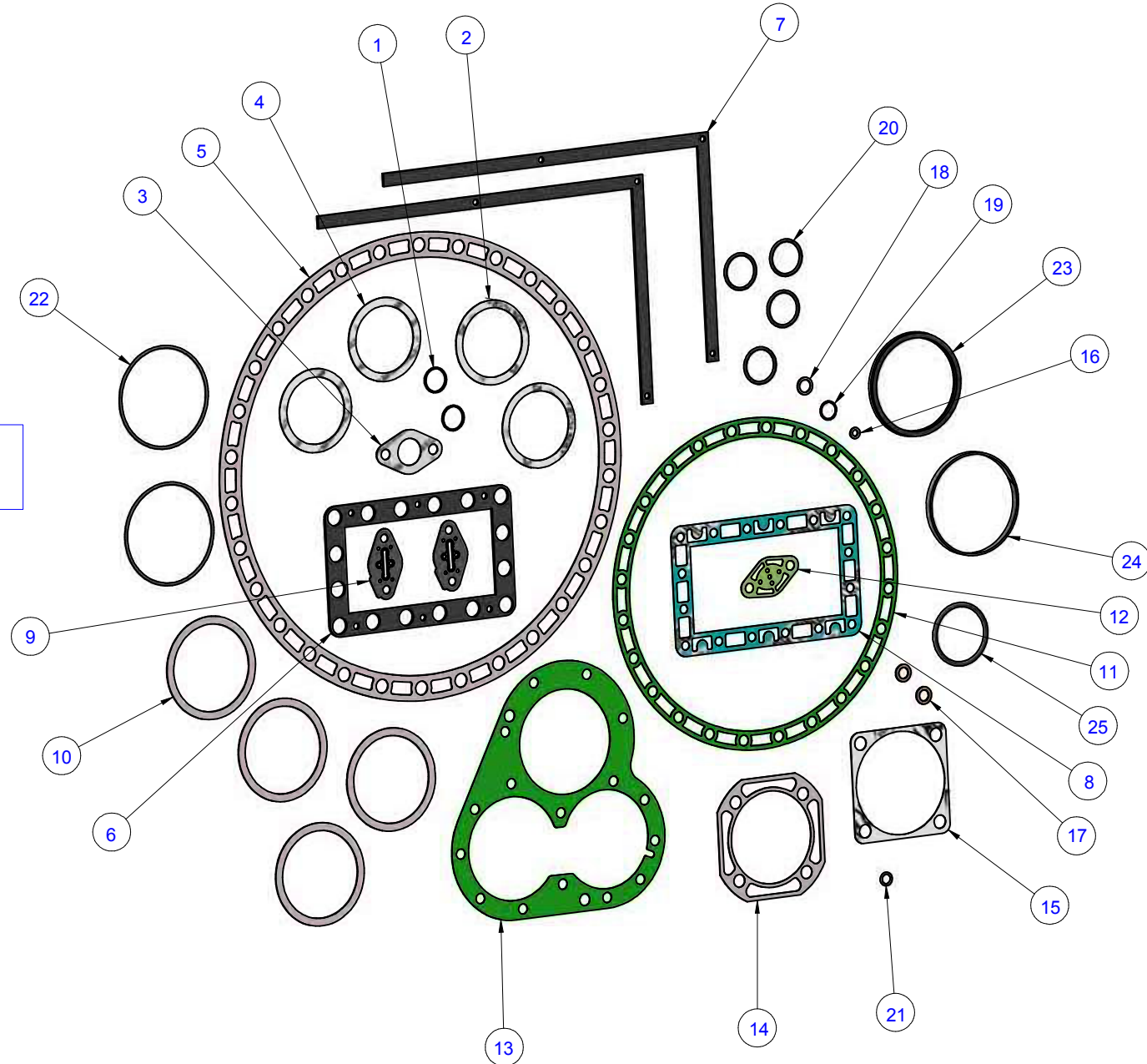
ATTENZIONE: il presente disegno è di esclusiva proprietà REFCOMP. E' fatto divieto di riproduzione e di divulgazione anche parziale secondo quanto regolato dalle norme vigenti.

ATTENTION: the present drawing is exclusively ownership of REFCOMP. Is forbidden to reproduce and to disclose, even if partialy, the present document in conformity to law regulation in force.



Pos	Code	Description	Serial number	Note	Q.ty
Kit	303321	Rubber dumpers kit			1
1	592742	Dumper bush			4
2	592840	Dumper (80°sh)			4
3	614517	Klock nut M14 galvanized			4
4	614525	Galvanized screw M14x70			4

Kit

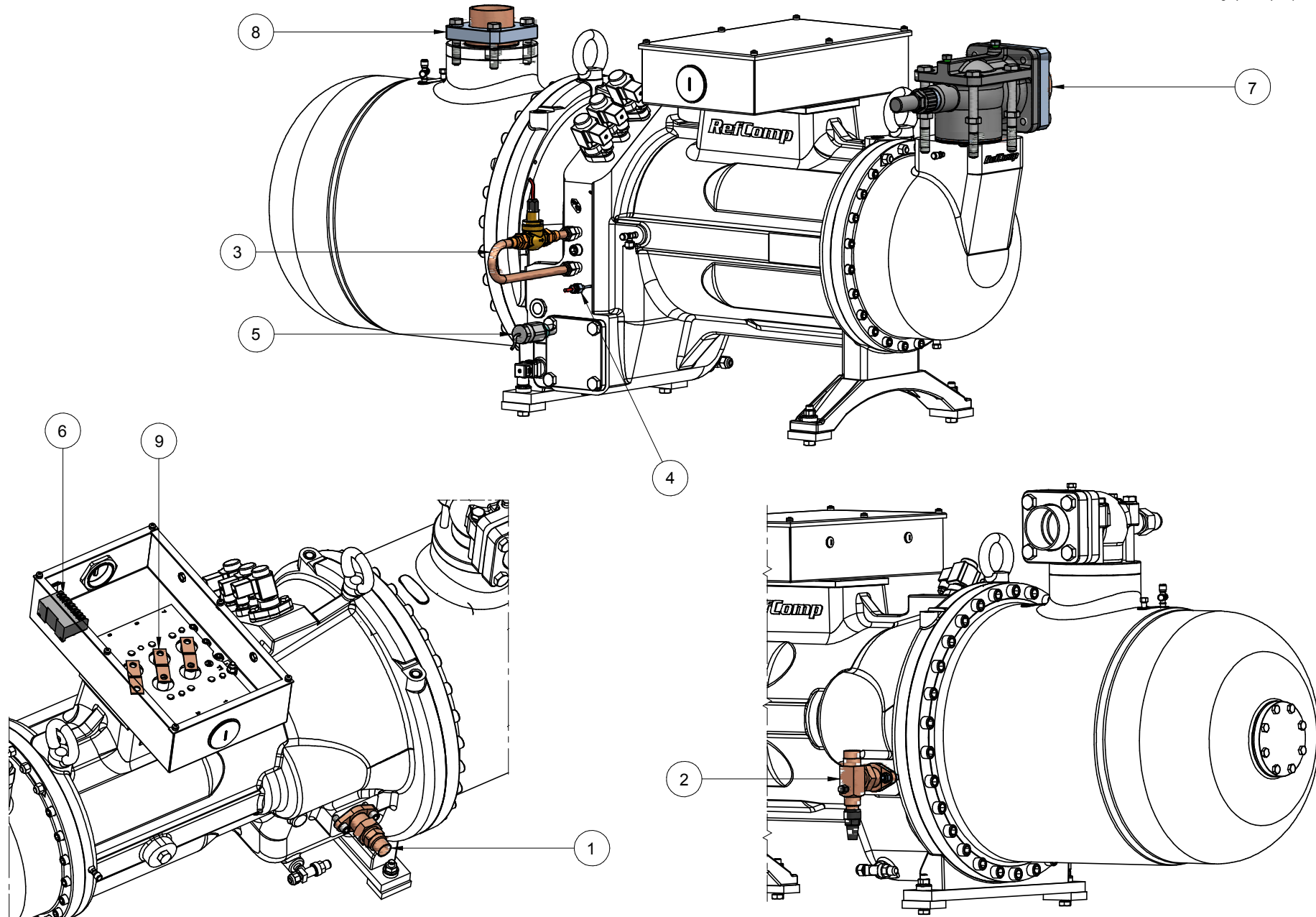


## Gaskets

ATTENZIONE: il presente disegno è di esclusiva proprietà REFCOMP. E' fatto divieto di riproduzione e di divulgazione anche parziale secondo quanto regolato dalle norme vigenti.

ATTENTION: the present drawing is exclusively ownership of REFCOMP. Is forbidden to reproduce and to disclose, even if partially, the present document in conformity to law regulation in force.

Pos	Code	Description	Serial number	Note	Q.ty
Kit	303583	Gasket kit			1
1	520664	Aluminium ring Ø28.6xØ31.8x2			2
2	590250	Shut-off valve gasket Ø87.5xØ106.8x1			2
3	591030	Oval flange gasket l=70			1
4	591130	Shut-off valve gasket Ø84.8xØ105.8x1			2
5	592010	Oil separator/rotor housing gasket			1
6	592460	Electrical box gasket			1
7	592470	Electric box cover gasket			2
8	592729	Terminal plate gasket			1
9	592731	Solenoid valve gasket l=65			2
10	592745	Shut-off valve gasket Ø110.5xØ130x1			4
11	592746	Suction cover gasket			1
12	592762	Solenoid valve/plate gasket			1
13	592780	Bearing housing cover gasket			1
14	592782	Check valve bush gasket			1
15	592785	Oil filter plug gasket			1
16	620100	Alluminium plane washer Ø8xØ14x1.5			1
17	640650	Copper washer Ø14xØ22x1.5			2
18	680030	Copper washer Ø16x22x1.5			1
19	690160	O-ring OR2081			1
20	691030	O-ring OR144			4
21	691081	O-ring OR115			1
22	691105	O-ring OR4487			2
23	691131	Gasket			1
24	691132	Band gasket control piston			1
25	691145	O-ring OR6275			1



**Optional**

ATTENZIONE: il presente disegno è di esclusiva proprietà REFCOMP.  
E' fatto divieto di riproduzione e di divulgazione anche parziale secondo  
quanto regolato dalle norme vigenti.

ATTENTION: the present drawing is exclusively ownership of REFCOMP.  
Is forbidden to reproduce and to disclose, even if partially, the present  
document in conformity to law regulation in force.

Pos	Code	Description	Serial number	Note	Q.ty
1	303157	Liquid injection kit			1
2	303572	ECO shut-off valve kit			1
3	303799	Oil flow switch kit without motor protector INT69VS			1
3	303819	Oil flow switch kit with motor protector INT69VS 230V			1
3	304094	Oil flow switch kit with motor protector INT69VS 110V			1
3	304095	Oil flow switch kit with motor protector INT69VS 24V			1
4	303532	Temperature probe kit 120°C			1
5	303549	Optical level oil kit sensor			1
6	303170	Motor protector kit			1
7	303121	Shut-off valve kit Ø77			1
7	303122	Shut-off valve kit Ø80			1
7	303123	Shut-off valve kit Ø89			1
7	303124	Shut-off valve kit Ø92			1
7	303125	Shut-off valve kit Ø105		Standard Kit	1
7	303126	Shut-off valve kit Ø108			1
8	304170	Flange + bush kit Ø80		Standard Kit	1
9	303193	Direct starting kit I=68.2			1

**Optional**