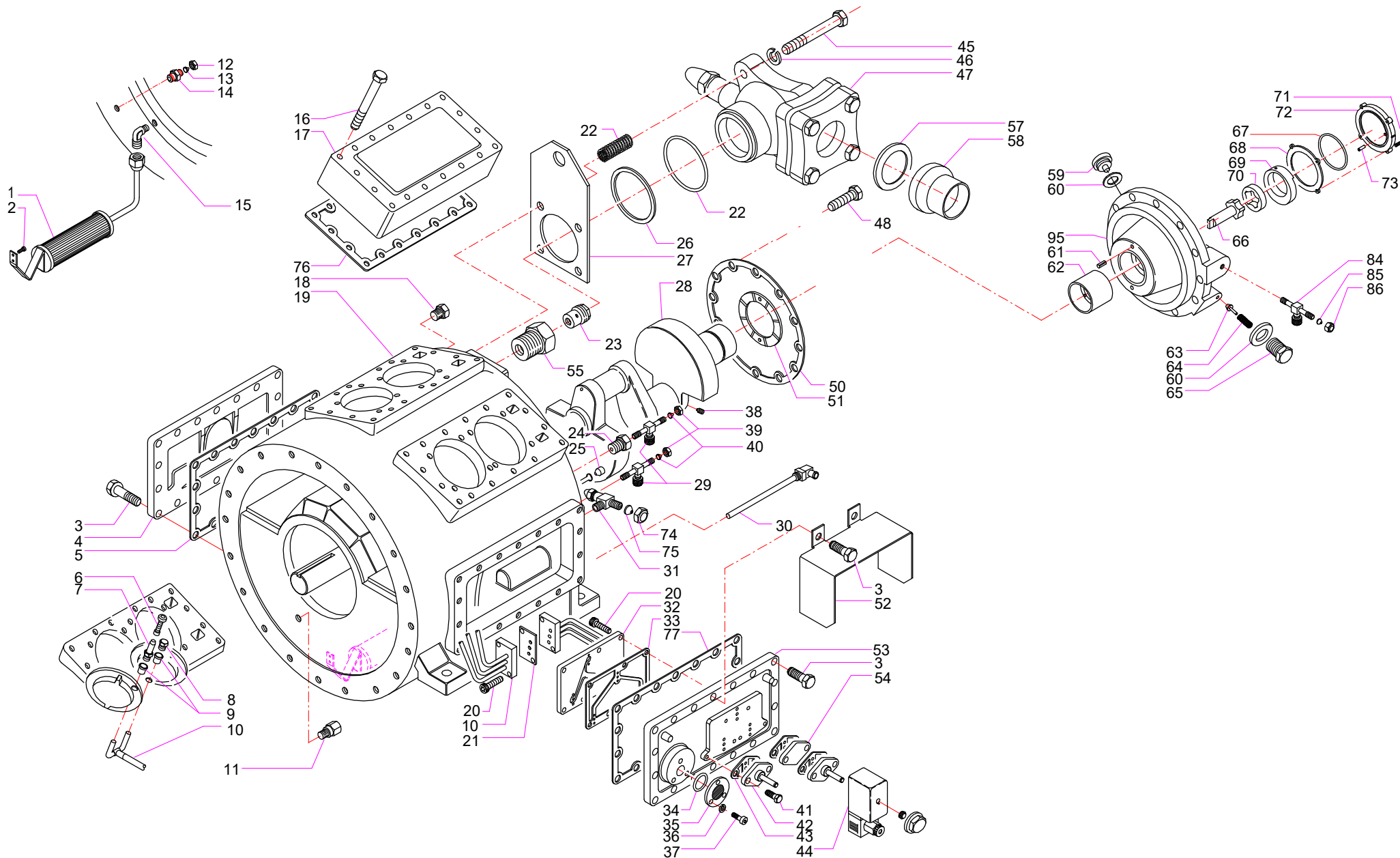


Model: "SRC-F / ORC-F" Series



SRC-F185 > 295 - ORC-F188 > 300

ATTENZIONE: il presente disegno è di esclusiva proprietà REFCOMP.
E' fatto divieto di riproduzione e di divulgazione anche parziale secondo
quanto regolato dalle norme vigenti.

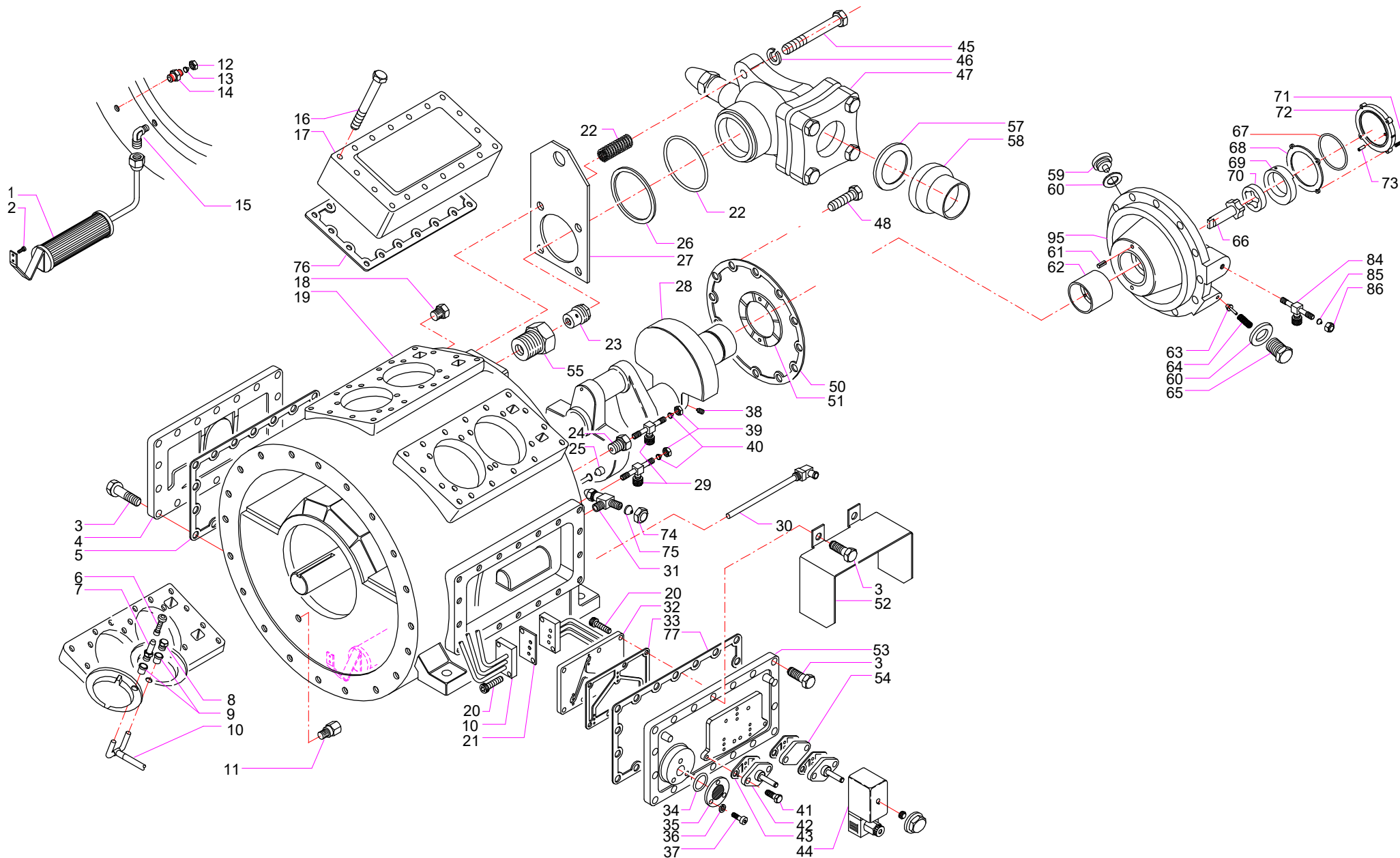
ATTENTION: the present drawing is exclusively ownership of REFCOMP.
Is forbidden to reproduce and to disclose, even if partially, the present
document in conformity to law regulation in force.

Pos	Code	Description	Serial number	Note	Q.ty
32	500090	3 steps collector			1
11	500140	Equalizing valve			1
23	500180	Safety valve 1"1/4NPT			1
29	500260	Tee-piece union 1/8"NPT-1/4"-1/4"SAE			2
35	500270	Sight glass cover 3 holes			1
23	500580	Max valve 30bar 1"NPT			1
7	510140	Connector storage			4
7	510140	Connector storage			2
7	510140	Connector storage			2
7	510140	Connector storage			4
7	510140	Connector storage			3
7	510140	Connector storage			6
7	510140	Connector storage			4
7	510140	Connector storage			3
7	510140	Connector storage			3
54	510170	Closing oval plate l=65			2
54	510170	Closing oval plate l=65			3
54	510170	Closing oval plate l=65			1
24	510680	Reduction 3/4"-1/8"NPT			1
22	510730	Spring eyebolt 'OF/F/M' series			4
52	510740	Solenoid valve plate protection			1
27	510760	Front eyebolt 'OF/F/M' series			1
55	513560	Reduction 1"1/4NPT - 1"NPT			1
18	519149	Plug 3/4" NPT			1
19	530010	6 cylinder crankcase 'F' series			1
19	530020	8 cylinder crankcase 'F' series			1
17	530050	Cylinderhead cover 'OF/F' series			4
17	530050	Cylinderhead cover 'OF/F' series			3
4	530110	Lateral closing plate			1
53	530220	Sight glass cover plate 3 steps 'OF/F' series			1
51	550040	Thrust washer			1
30	580010	Crankcase heater 275w 115v			1
30	580020	Crankcase heater 275w 230V			1
30	581090	Crankcase heater 275w 24V			1
6	590060	Teflon connector unloader			4
6	590060	Teflon connector unloader			4
6	590060	Teflon connector unloader			3
6	590060	Teflon connector unloader			3
6	590060	Teflon connector unloader			2
6	590060	Teflon connector unloader			3
6	590060	Teflon connector unloader			6
6	590060	Teflon connector unloader			4
6	590060	Teflon connector unloader			2
21	590080	Internal pipe gasket 38x57x1 'OF/F/M' series			1
21	590080	Internal pipe gasket 38x57x1 'OF/F/M' series			1
21	590080	Internal pipe gasket 38x57x1 'OF/F/M' series			1

SRC-F185 > 295 - ORC-F188 > 300

www.refcomp.it
spareparts@refcomp.it

Model: "SRC-F / ORC-F" Series



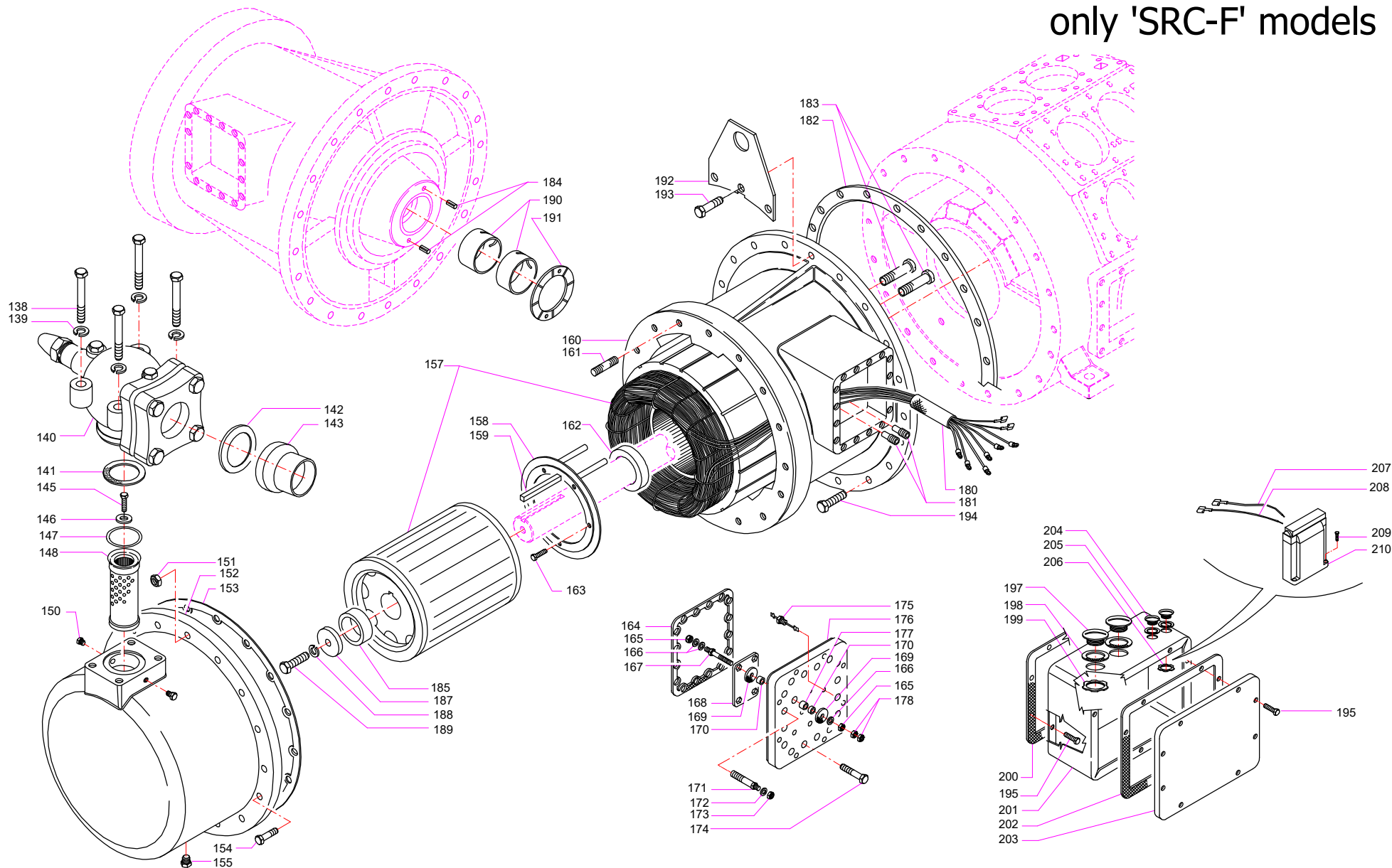
SRC-F185 > 295 - ORC-F188 > 300

ATTENZIONE: il presente disegno è di esclusiva proprietà REFCOMP.
E' fatto divieto di riproduzione e di divulgazione anche parziale secondo
quanto regolato dalle norme vigenti.

ATTENTION: the present drawing is exclusively ownership of REFCOMP.
Is forbidden to reproduce and to disclose, even if partially, the present
document in conformity to law regulation in force.

Pos	Code	Description	Serial number	Note	Q.ty
33	590130	Collector plate gasket 'OF/F/M' series			1
77	590140	Head and plate gasket 197x362x0.8 'OF/F' series			1
76	590140	Head and plate gasket 197x362x0.8 'OF/F' series			4
76	590140	Head and plate gasket 197x362x0.8 'OF/F' series			3
22	590380	O-ring OR3325			1
21	591870	Gasket of 1°step internal pipe			1
21	592170	Internal pipe gasket			1
37	610010	Screw 1/4"-20UNCx3/4"			3
20	610020	Screw 1/4"-20UNCx1"			8
41	610210	Screw 3/8"-16UNCx1"			6
3	610340	Screw 1/2"-13UNCx1"1/2			36
48	610350	Screw 1/2"-13UNCx1"3/4			12
16	610370	Screw 1/2"-13UNCx3"3/4			72
16	610370	Screw 1/2"-13UNCx3"3/4			54
45	610460	Screw 5/8"-11UNCx4"1/2			4
36	610930	Galvanized grower washer M6			3
46	610940	Galvanized grower washer M16			4
39	640020	Nut 1/4"SAE-6			2
74	640030	Nut 3/8"SAE-8			1
12	640030	Nut 3/8"SAE-8			1
40	640050	Cooper cap 1/4"SAE			2
75	640060	Cooper cap 3/8"SAE			1
13	640060	Cooper cap 3/8"SAE			1
31	640070	Shut-off valve 3/8"NPT-3/8"SAE			1
15	640090	90° connection 3/8"NPT - 5/8"SAE			1
14	640100	Straight connection 3/8"NPT - 3/8"SAE			1
34	690080	O-ring OR3131			1
55	N	NOT USED			0

only 'SRC-F' models



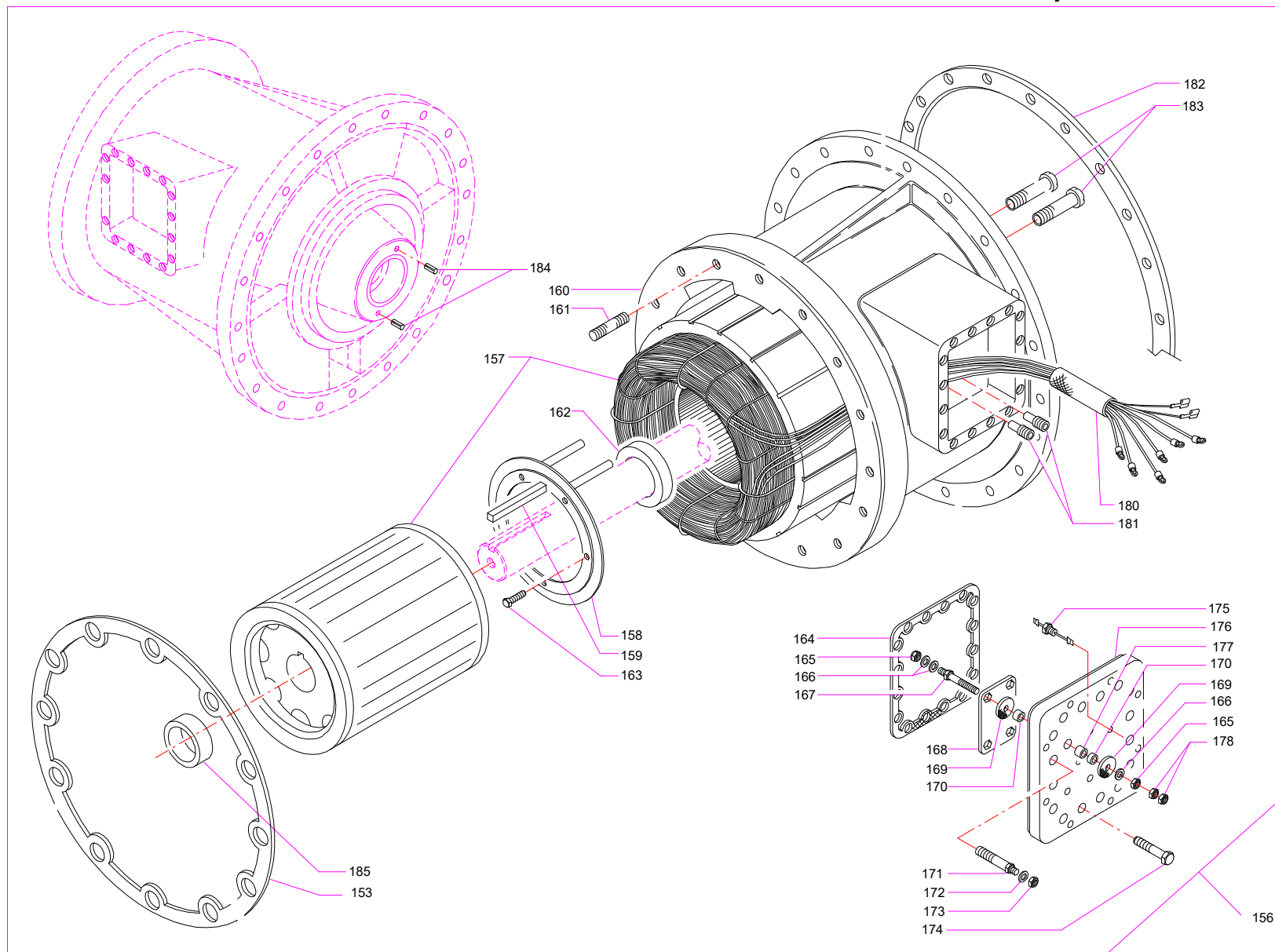
Electrical motor

ATTENZIONE: il presente disegno è di esclusiva proprietà REFCOMP. E' fatto divieto di riproduzione e di divulgazione anche parziale secondo quanto regolato dalle norme vigenti.

ATTENTION: the present drawing is exclusively ownership of REFCOMP. Is forbidden to reproduce and to disclose, even if partially, the present document in conformity to law regulation in force.

Pos	Code	Description	Serial number	Note	Q.ty
187	510100	Shaft washer			1
192	510770	Back eyebolt 'OF/F' series			1
150	519143	Plug 1/8" NPT			2
155	519147	Plug 1/4" NPT			1
152	530030	Semihermetic cover			1
190	550019	Bushing Ø65.08xØ69.85x39.67			2
190	550029	Increased bushing Ø65.08xØ71.45x39.67			2
191	550040	Thrust washer			1
210	580040	Motor protection device INT69TM 230V			1
210	580130	Motor protection device INT69TM 110V			1
210	580370	Motor protection device INT69TM 24V			1
207	580420	Electrical wire L=190			1
208	580430	Electrical wire L=290			1
210	581250	Motor protection device INT69VS 230V			1
210	581900	Motor protection device INT69VS 110V			1
210	581910	Motor protection device INT69VS 24V AC			1
145	610200	Screw 3/8"-16UNCx3/4"			1
154	610360	Screw 1/2"-13UNCx2"1/4			22
193	610400	Screw 9/16"-12UNCx2"1/4			3
194	610410	Screw 9/16"-12UNCx2"			23
138	610470	Galvanized screw 5/8"-11UNCx5"1/2			4
189	610500	Screw 3/4"-16UNFx2"1/2			1
209	610610	Galvanized screw M4x14			2
151	610770	Nut 1/2"-13UNC			2
139	610940	Galvanized grower washer M16			4
188	610950	Galvanized grower washer M20			1
146	611100	Plane washer Ø10xØ30x2			1
208	N	NOT USED			0

only 'SRC-F' models



Stator housing

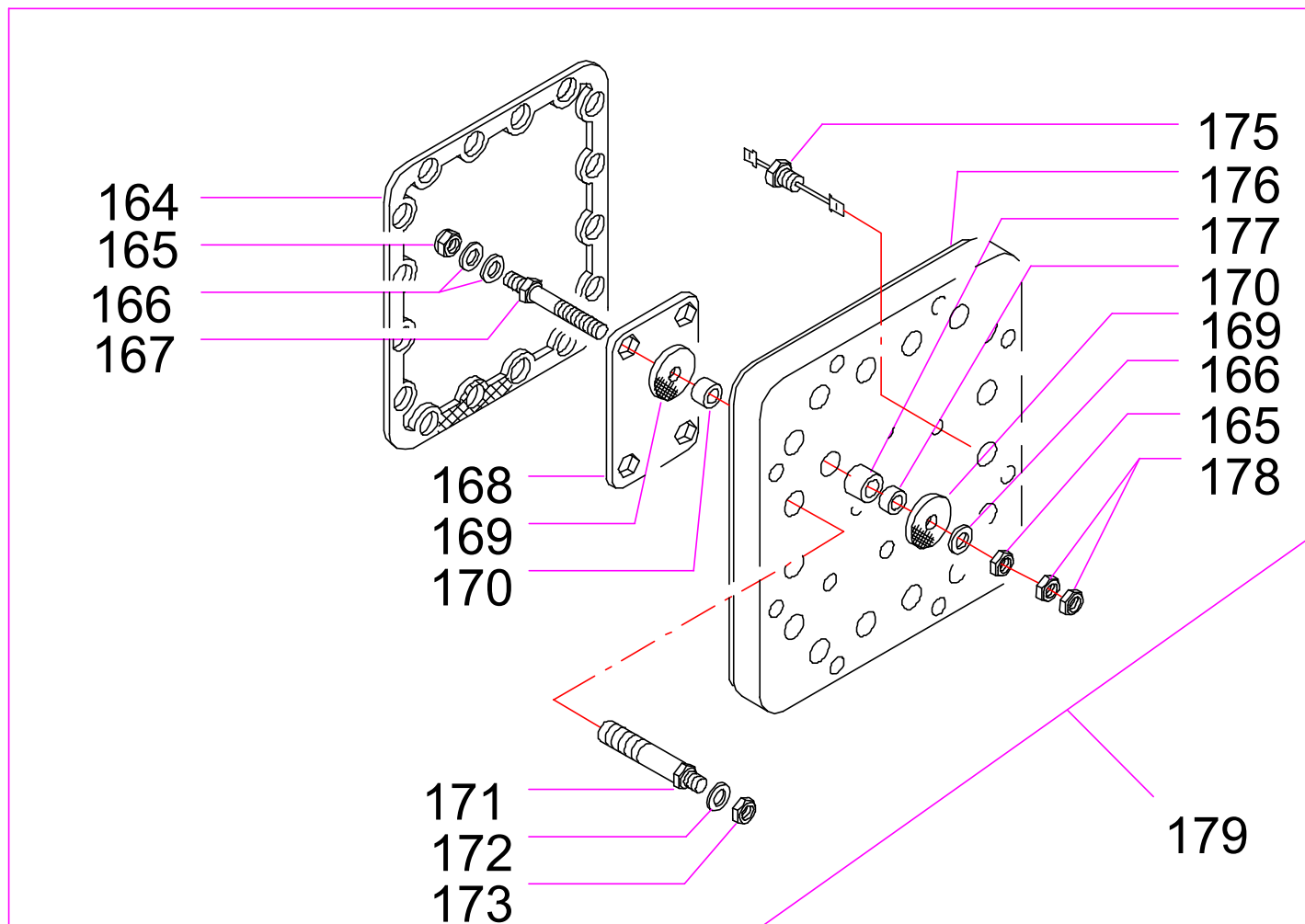
ATTENZIONE: il presente disegno è di esclusiva proprietà REFCOMP. E' fatto divieto di riproduzione e di divulgazione anche parziale secondo quanto regolato dalle norme vigenti.

ATTENTION: the present drawing is exclusively ownership of REFCOMP. Is forbidden to reproduce and to disclose, even if partially, the present document in conformity to law regulation in force.

Pos	Code	Description	Serial number	Note	Q.ty
156	300050	Motor housing kit 400V/3/50Hz PW 'F' series			1
156	300080	Motor housing kit 400V/3/50Hz PW 'F' series			1
156	300190	Motor housing kit 400V/3/50Hz PW 'F' series			1
160	500050	Motor housing 'F' series			1
158	500150	Deflector 'F' series			1
185	510050	Spacer Ø54xØ76.1x57			1
162	510060	Spacer Ø54xØ76.1x16			1
181	510780	Stator locking pin			2
161	515340	Tie rod cover 1/2"-13UNC 'F' series			2
183	540030	Foaming filter L51			2
157	580090	Electric motor 400V/3/50Hz PW			1
157	580100	Electric motor 400V/3/50Hz PW			1
157	580110	Electric motor 400V/3/50Hz PW			1
182	590150	Motor housing/crankcase gasket Ø500x0.8 'OF/F' series			1
153	590280	Suction cover gasket Ø418x0.8			1
174	610300	Galvanized screw 7/16"-14UNCx1"1/2			15
163	610550	Galvanized screw M5x12			6
184	611040	Elastic pin Ø5x12			2
180	690240	Shrink sleeve Ø18			1

Stator housing

only 'SRC-F' models

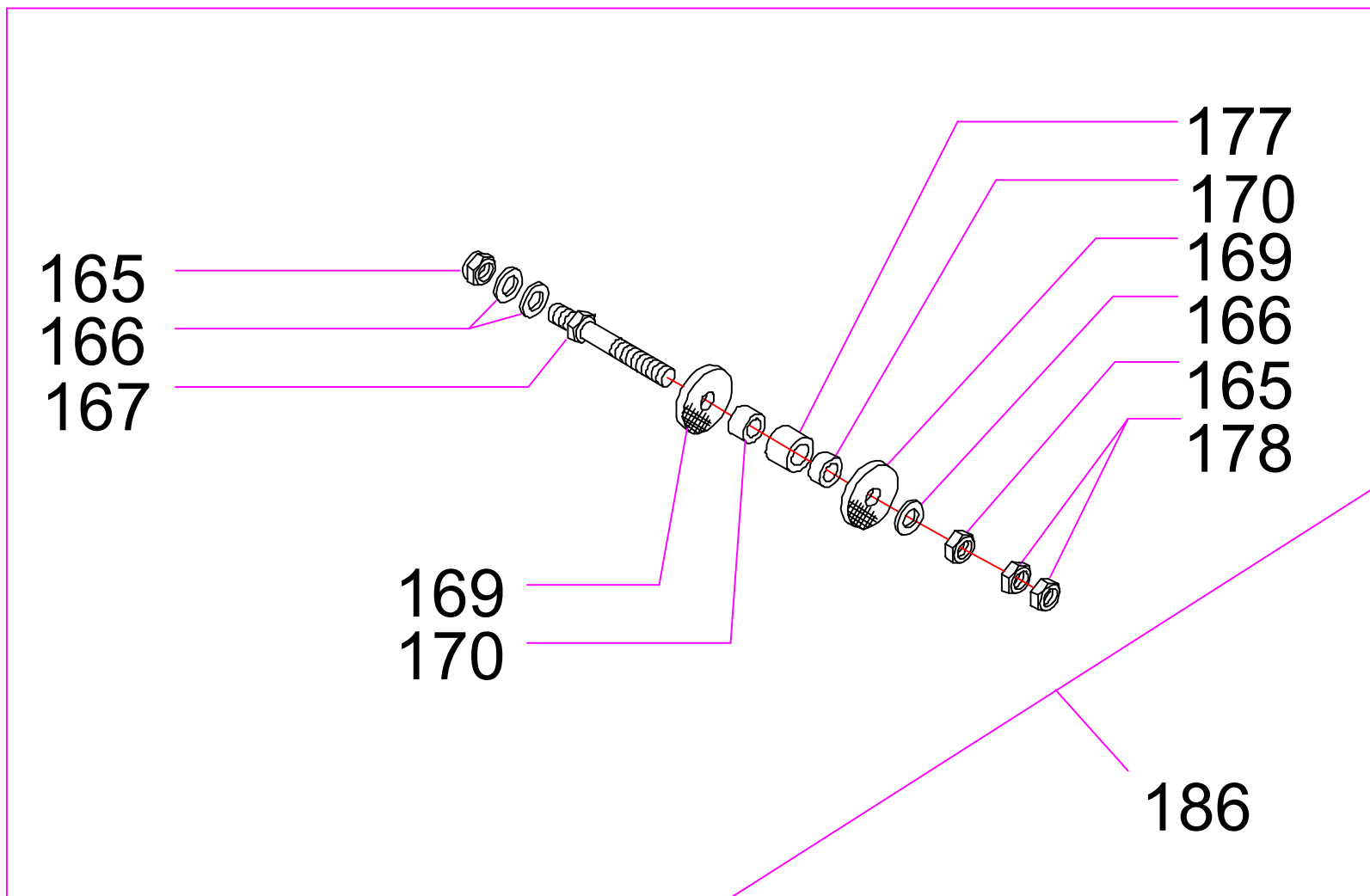


Terminal plate

Pos	Code	Description	Serial number	Note	Q.ty
179	300330	Terminal plate kit 'F/M' series			1
171	510270	Ground screw 'F' series			1
176	530120	Terminal plate 'F/M' series			1
175	580080	Protector device clamp 1/8"NPT			3
168	590110	Terminal plate insulation 108x130 'F/M300' series			1
164	590120	Terminal plate gasket 215.9x215.9 'F/M300' series			1
173	610750	Galvanized nut 5/16"-18UNC			1
172	611000	Plane washer Ø8x17x1.6			1

Terminal plate

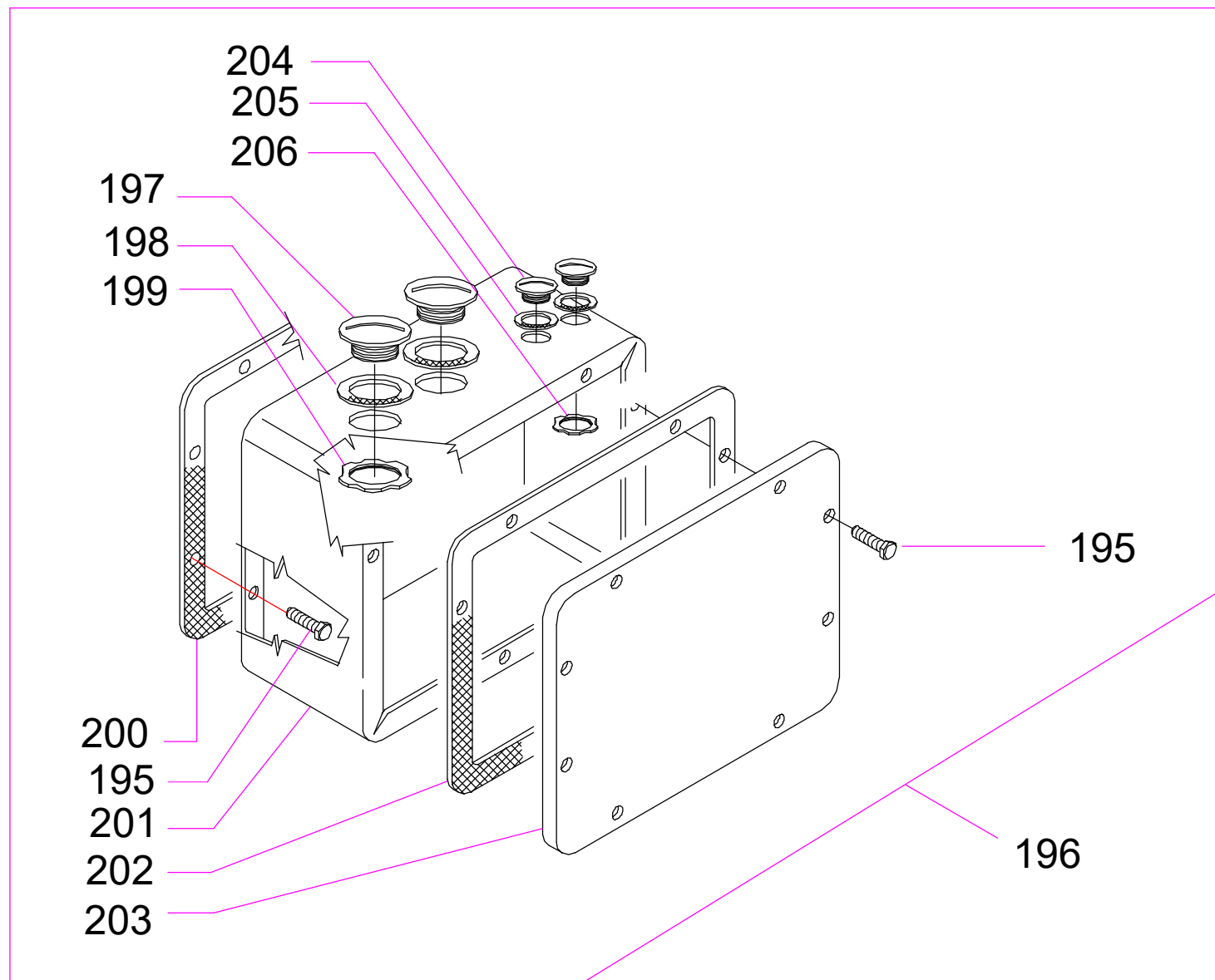
only 'SRC-F' models



Terminal

Pos	Code	Description	Serial number	Note	Q.ty
186	300350	Terminal kit with rubber 'F' series			6
167	510390	Starting terminal 5/16"-18UNC (50/60 Hz)			6
177	590010	Terminal stopper bush			6
170	590180	Insulation ring			12
169	590200	High voltage insulation			12
165	610480				12
178	610750	Galvanized nut 5/16"-18UNC			12
166	611000	Plane washer Ø8x17x1.6			18

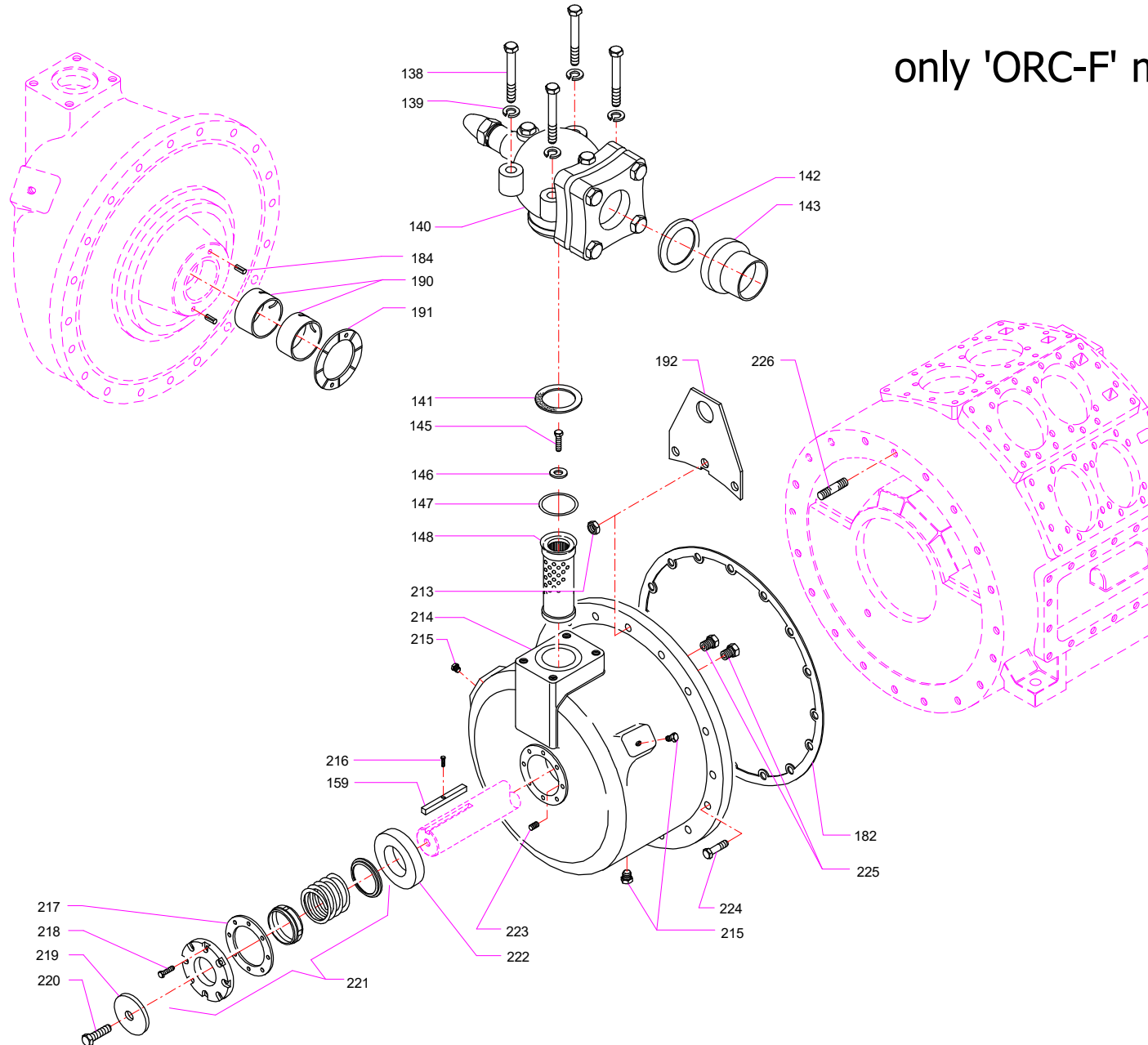
only 'SRC-F' models



Terminal box

Pos	Code	Description	Serial number	Note	Q.ty
196	300370	Electric box kit 'F/M300' series			1
203	515010	Terminal box cover			1
201	515020	Terminal box 'F/M' series			1
202	590040	Cover/electric box gasket 245x305x2.4 'F/M' series			1
200	590050	Electric box / terminal plate gasket 241.5x241.5 'F/M' series			1
205	590210	Rubber washer gasket PG 13.5			4
198	592829	Rubber washer gasket ISO 40			4
195	610550	Galvanized screw M5x12			16
204	690270	Plastic plug PG 13.5			4
206	690310	Plastic nut PG 13.5			4
197	691159	Plastic plug ISO 40			4
199	691160	Plastic nut ISO 40			4

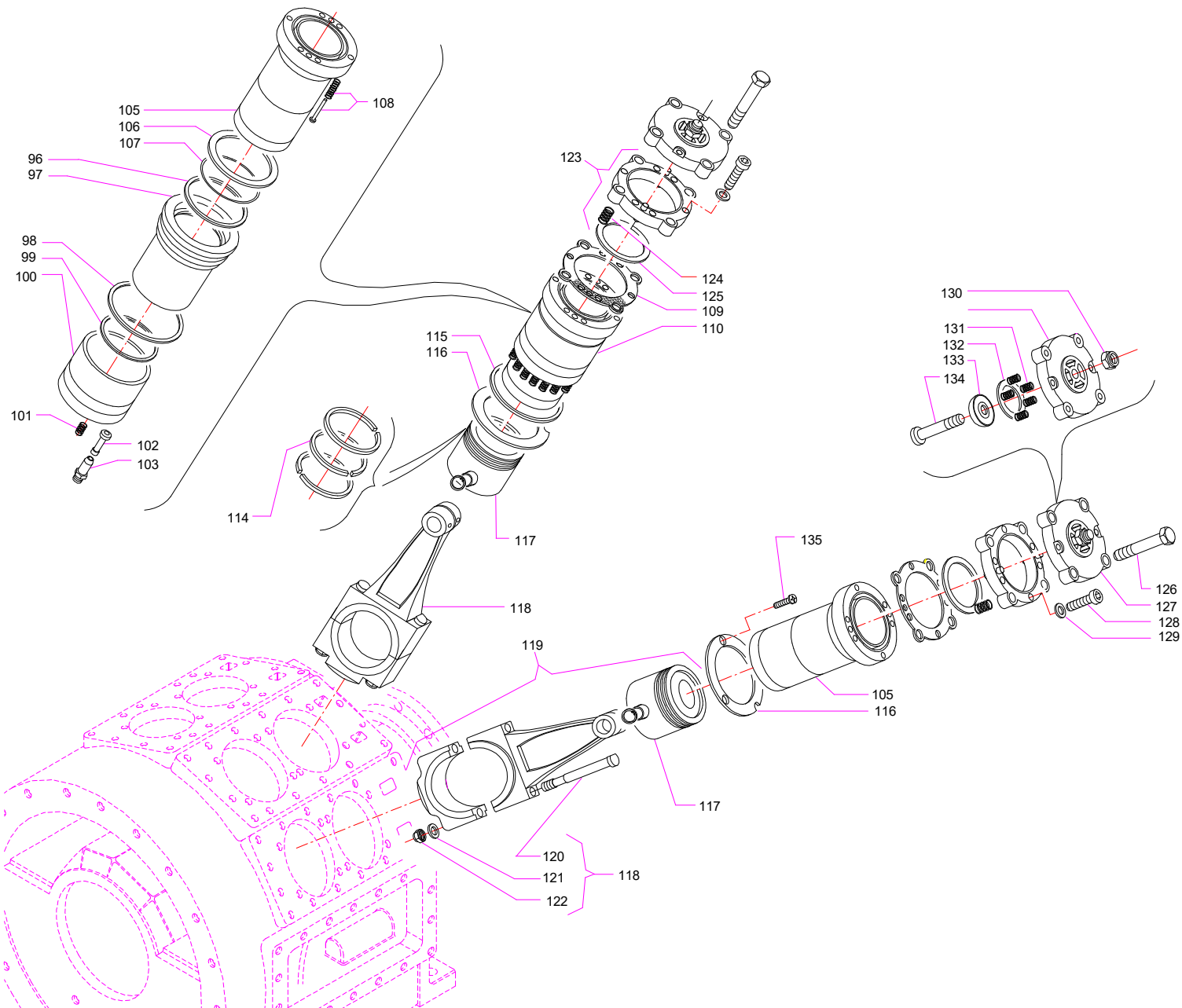
only 'ORC-F' models



Shaft seal

Pos	Code	Description	Serial number	Note	Q.ty
214	500210	Suction cover 'OF' series			1
221	500220	Shaft seal			1
221	501330	Shaft seal			1
222	510061	Spacer Ø54xØ76.1x15			1
219	510100	Shaft washer			1
159	510690	Key 12.7x12.7x51			1
159	510720	Key 12.7x12.7x89			1
192	510770	Back eyebolt 'OF/F' series			1
226	514890	Tie rod 9/16"-12UNC			3
223	514940	Calibrated grub screw Ø2 M5x6			1
215	519147	Plug 1/4" NPT			3
225	540250	Foaming filter L20			2
190	550019	Bushing Ø65.08xØ69.85x39.67			2
190	550029	Increased bushing Ø65.08xØ71.45x39.67			2
191	550040	Thrust washer			1
182	590150	Motor housing/crankcase gasket Ø500x0.8 'OF/F' series			1
217	590390	Suction cover gasket			1
145	610200	Screw 3/8"-16UNCx3/4"			1
218	610220	Screw 3/8"-16UNCx1"1/4			8
224	610400	Screw 9/16"-12UNCx2"1/4			20
138	610470	Galvanized screw 5/8"-11UNCx5"1/2			4
220	610490	Screw 3/4"-16UNFx1"1/2			1
216	610620	Screw M5x12			1
213	610780	Nut 9/16"-12UNC			3
139	610940	Galvanized grower washer M16			4
184	611040	Elastic pin Ø5x12			2
146	611100	Plane washer Ø10xØ30x2			1

Shaft seal



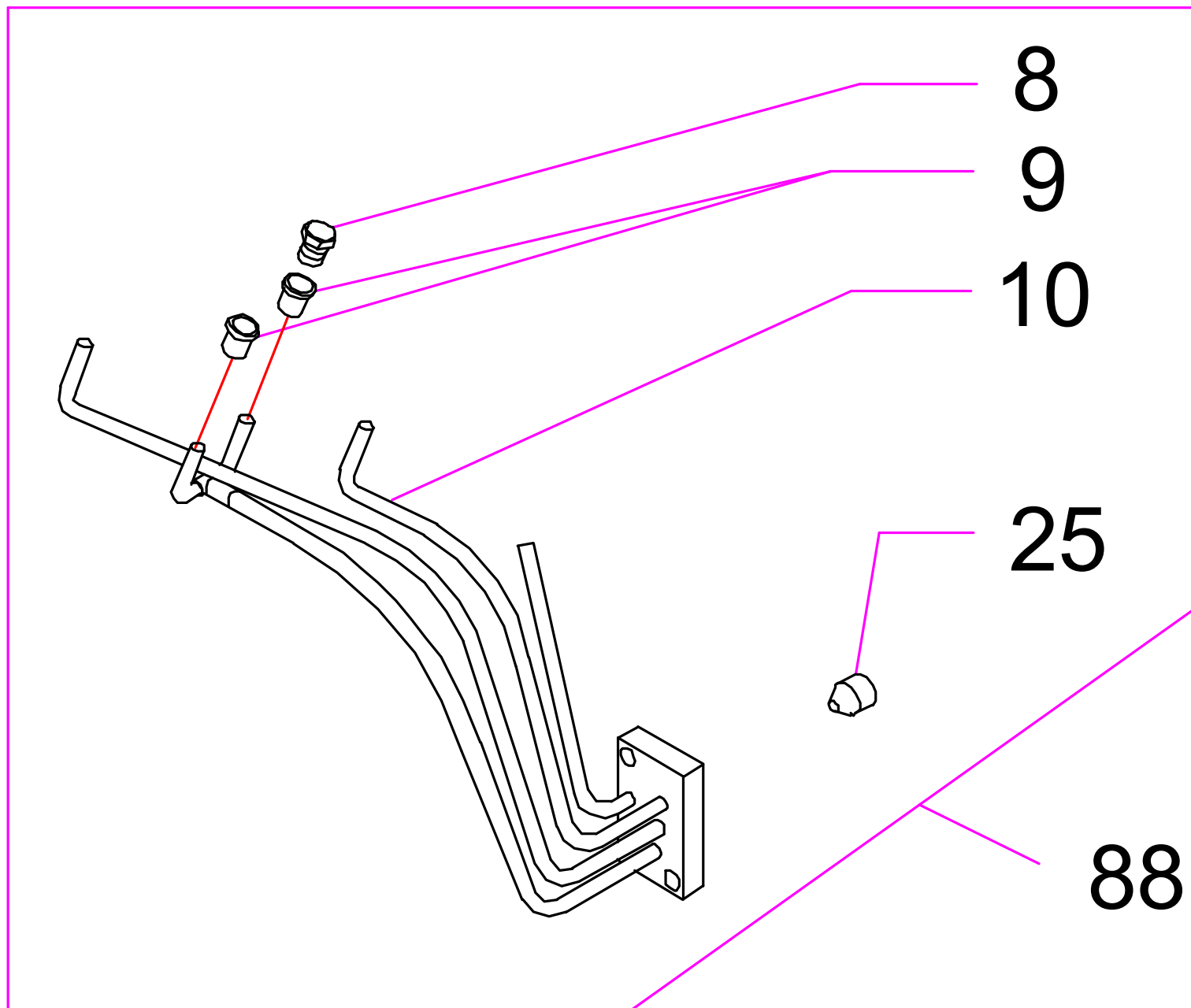
Connecting rods-Pistons

ATTENZIONE: il presente disegno è di esclusiva proprietà REFCOMP. E' fatto divieto di riproduzione e di divulgazione anche parziale secondo quanto regolato dalle norme vigenti.

ATTENTION: the present drawing is exclusively ownership of REFCOMP. Is forbidden to reproduce and to disclose, even if partially, the present document in conformity to law regulation in force.

Pos	Code	Description	Serial number	Note	Q.ty
116	510150	Lower plate of unloader support			8
116	510150	Lower plate of unloader support			6
128	610100	Screw 1/4"-28UNFx3/4"			48
128	610100	Screw 1/4"-28UNFx3/4"			36
126	610230	Screw 3/8"-16UNCx2"			32
126	610230	Screw 3/8"-16UNCx2"			24
135	610600	Screw M4x6			9
135	610600	Screw M4x6			6
135	610600	Screw M4x6			12
135	610600	Screw M4x6			9
135	610600	Screw M4x6			15
135	610600	Screw M4x6			12
135	610600	Screw M4x6			24
135	610600	Screw M4x6			18
135	610600	Screw M4x6			15
135	610600	Screw M4x6			9
129	610880	Schnorr washer			36
129	610880	Schnorr washer			48

Model: SRC-F185 > 295 - ORC-F188 > 300

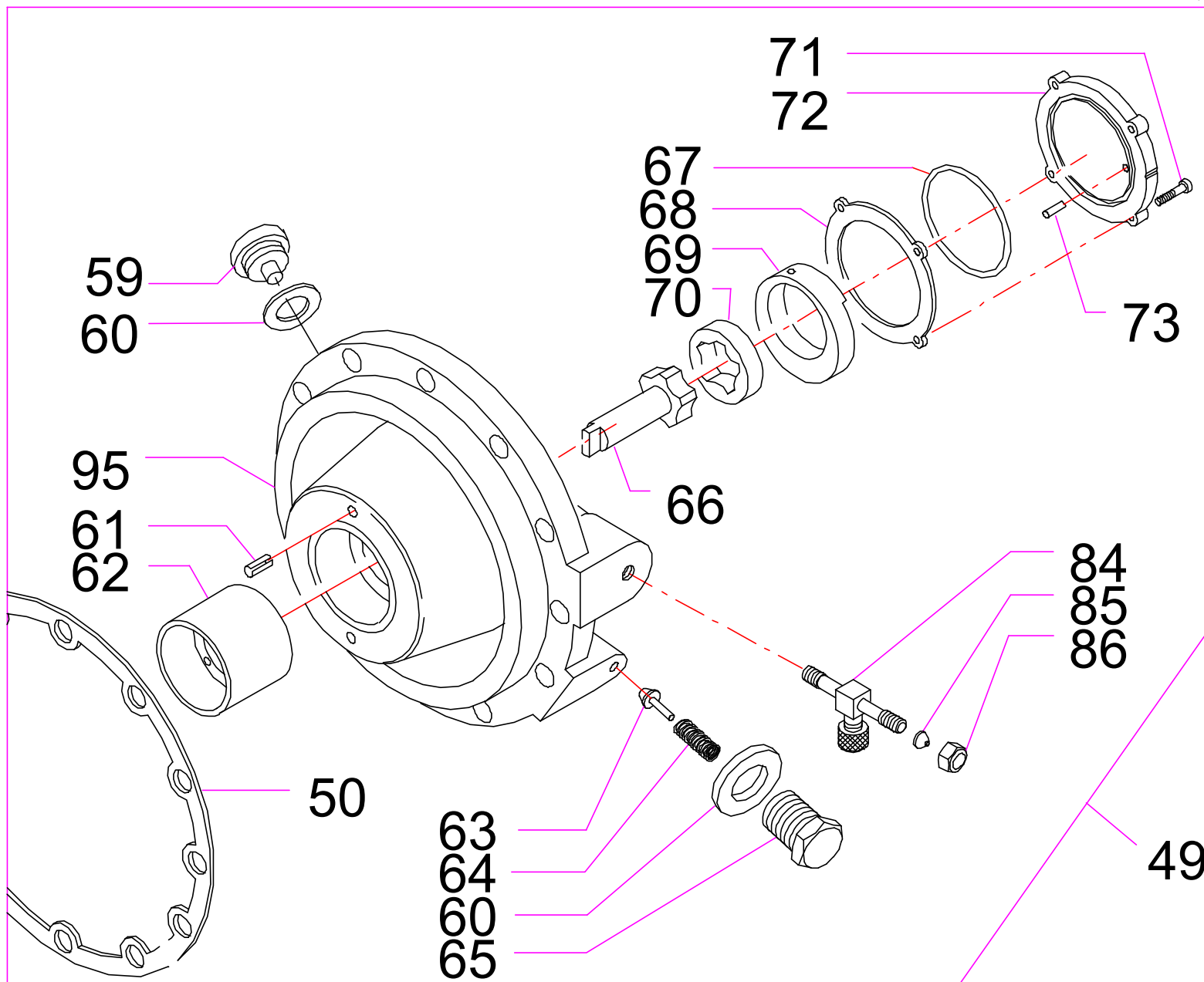


Tubes assembly

ATTENZIONE: il presente disegno è di esclusiva proprietà REFCOMP.
E' fatto divieto di riproduzione e di divulgazione anche parziale secondo
quanto regolato dalle norme vigenti.

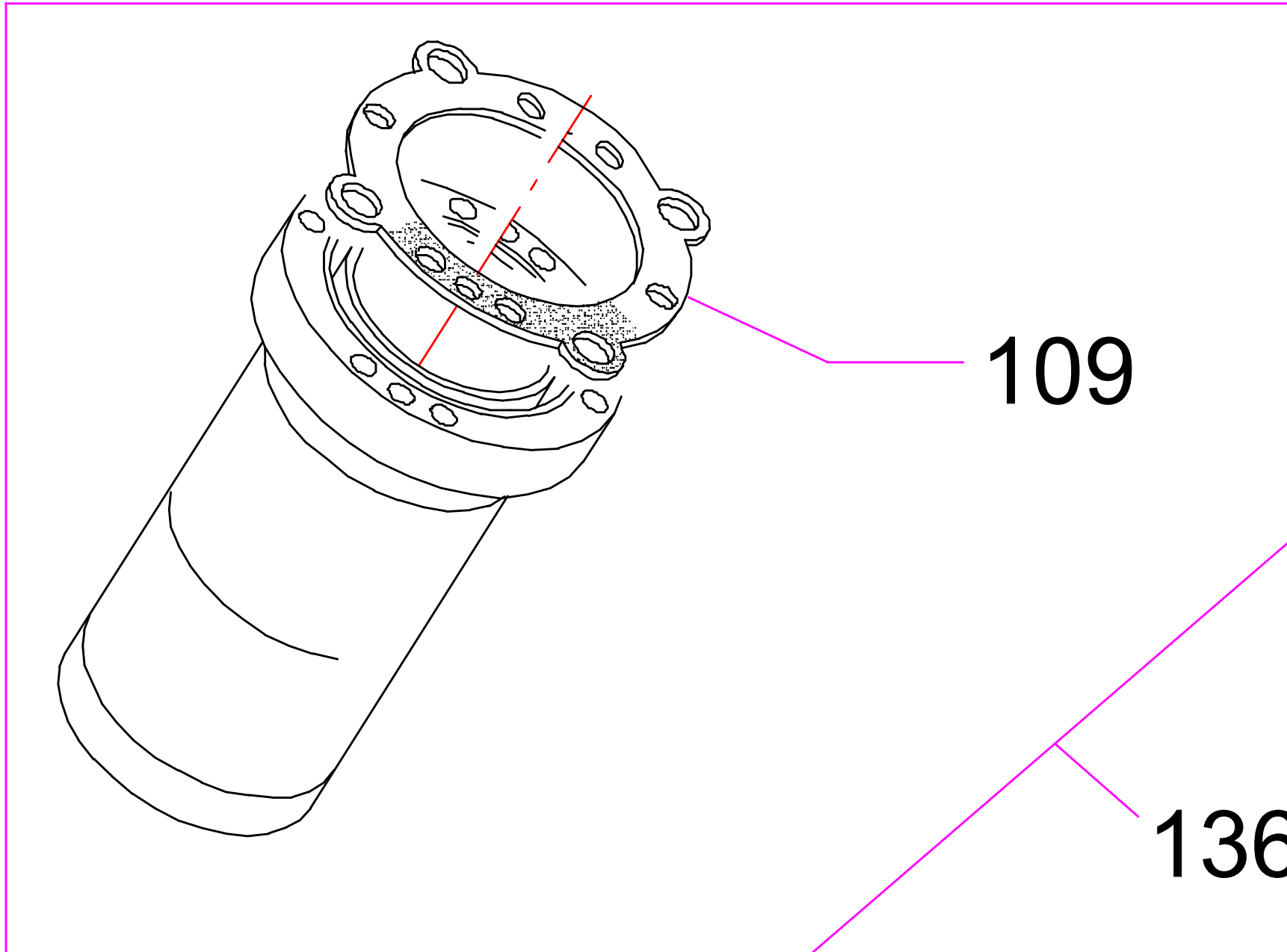
ATTENTION: the present drawing is exclusively ownership of REFCOMP.
Is forbidden to reproduce and to disclose, even if partially, the present
document in conformity to law regulation in force.

Pos	Code	Description	Serial number	Note	Q.ty
88	300120	Tubes assembly kit 6 cylinder 'F/OF' series			1
88	300230	Tubes assembly kit 8 cylinder 'F/OF' series			1
10	500120	Tubes assembly unloading 6 cylinder 'F/OF' series			1
10	500230	Tubes assembly unloading 8 cylinder 'F/OF' series			1
9	510180	Bush tight pipe Ø4.8xØ8x7 'OF/F/M' series			6
9	510180	Bush tight pipe Ø4.8xØ8x7 'OF/F/M' series			4
8	510190	Oil pipe plug			4
8	510190	Oil pipe plug			6
25	540020	Pump connector			1



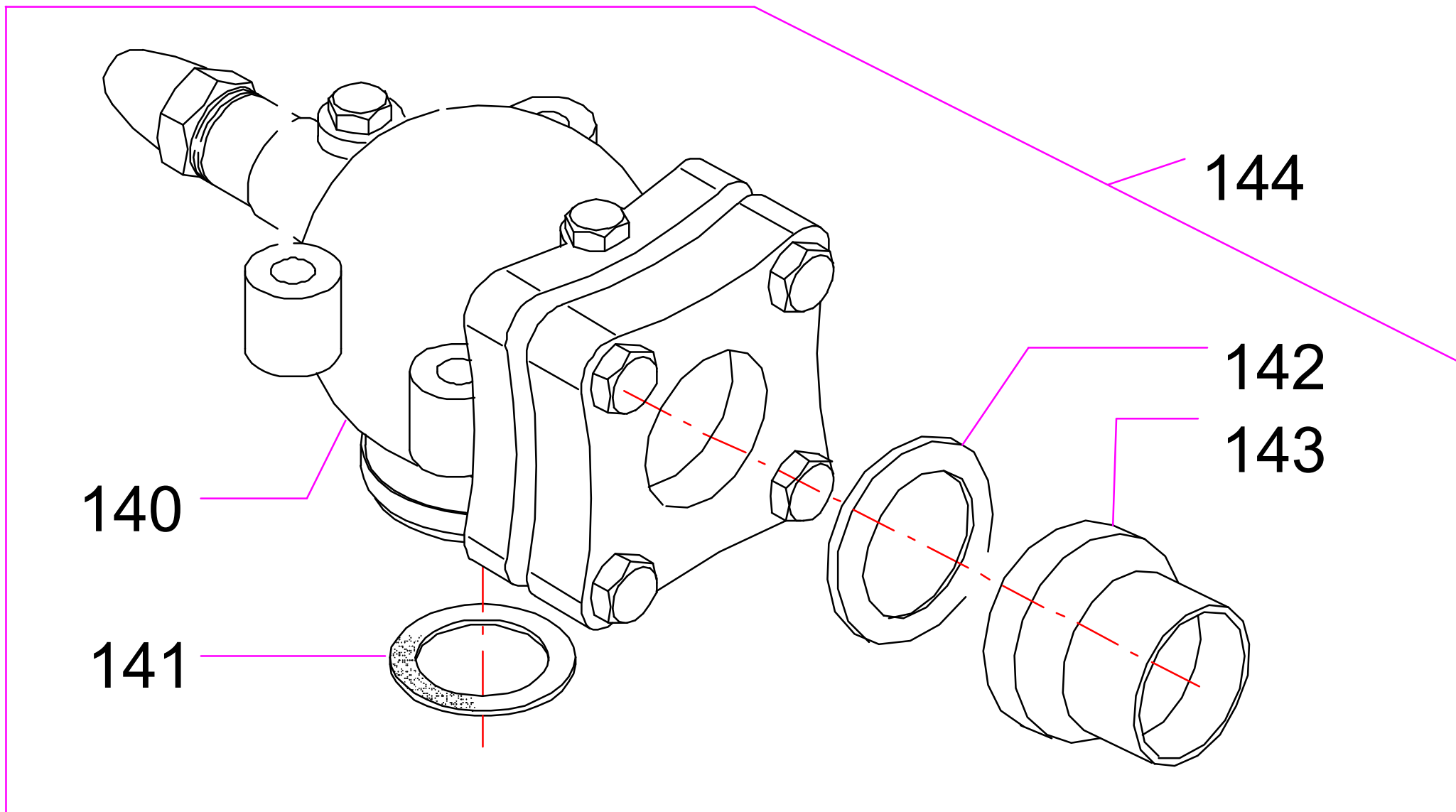
Oil pump

Pos	Code	Description	Serial number	Note	Q.ty
49	300020	Oil pump kit 'F' series			1
84	500260	Tee-piece union 1/8"NPT-1/4"-1/4"SAE			1
72	502330	Cover with pump pin 'F' series			1
66	502948	Drive pin for pump			1
64	510310	Valve spring			1
63	510330	Valve needle			1
65	510340	Drive spring plug for valve			1
70	510510	External rotor pump			1
59	520250	Oil pump magnetic plug 3/8"gas			1
69	540350	Rotor ring oil pump			1
62	550039	Bushing Ø65.08Ø69.85x62			1
68	590030	Cover/pump gasket Ø92 'OF/F' series			1
67	590030	Cover/pump gasket Ø92 'OF/F' series			1
50	592190	Oil pump gasket Ø247x0.8			1
61	611040	Elastic pin Ø5x12			2
73	611950	Cylindrical pin Ø5x10			1
71	612630	Screw M6x20			4
60	620110	Alluminium plane washer Ø22xØ26x1.5			1
86	640020	Nut 1/4"SAE-6			1
85	640050	Cooper cap 1/4"SAE			1
68	690590	O-ring OR3300			1
67	690590	O-ring OR3300			1
#	502949	Oil pump assembly			1



Cylinder

Pos	Code	Description	Serial number	Note	Q.ty
136	300210	Cylinder kit 'F' series			8
136	300210	Cylinder kit 'F' series			6
109	590070	Suction valve/cylinder gasket I=108 'OF/F' series			6
109	590070	Suction valve/cylinder gasket I=108 'OF/F' series			8

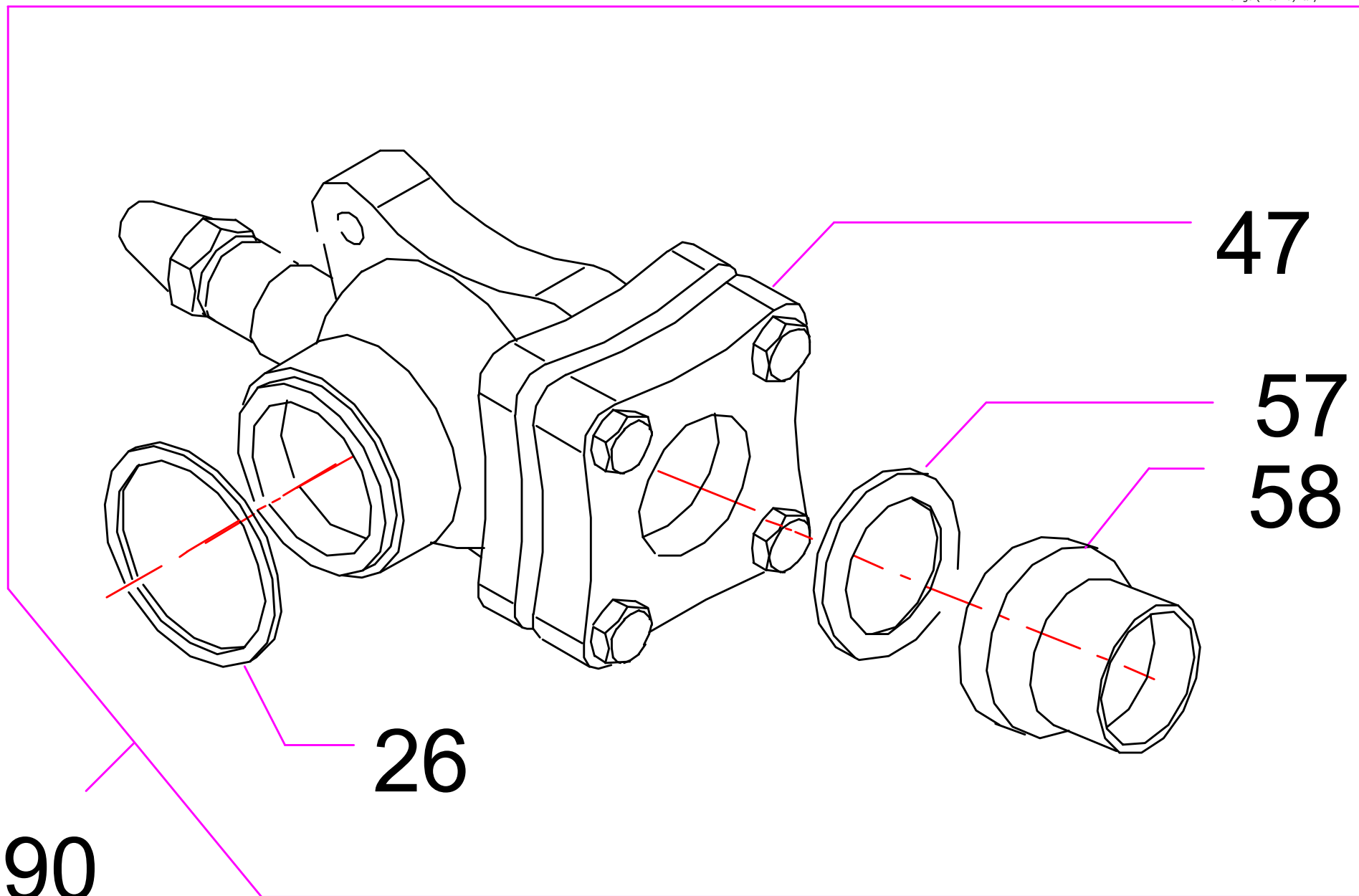


Suction shut-off valve

ATTENZIONE: il presente disegno è di esclusiva proprietà REFCOMP.
E' fatto divieto di riproduzione e di divulgazione anche parziale secondo
quanto regolato dalle norme vigenti.

ATTENTION: the present drawing is exclusively ownership of REFCOMP.
Is forbidden to reproduce and to disclose, even if partially, the present
document in conformity to law regulation in force.

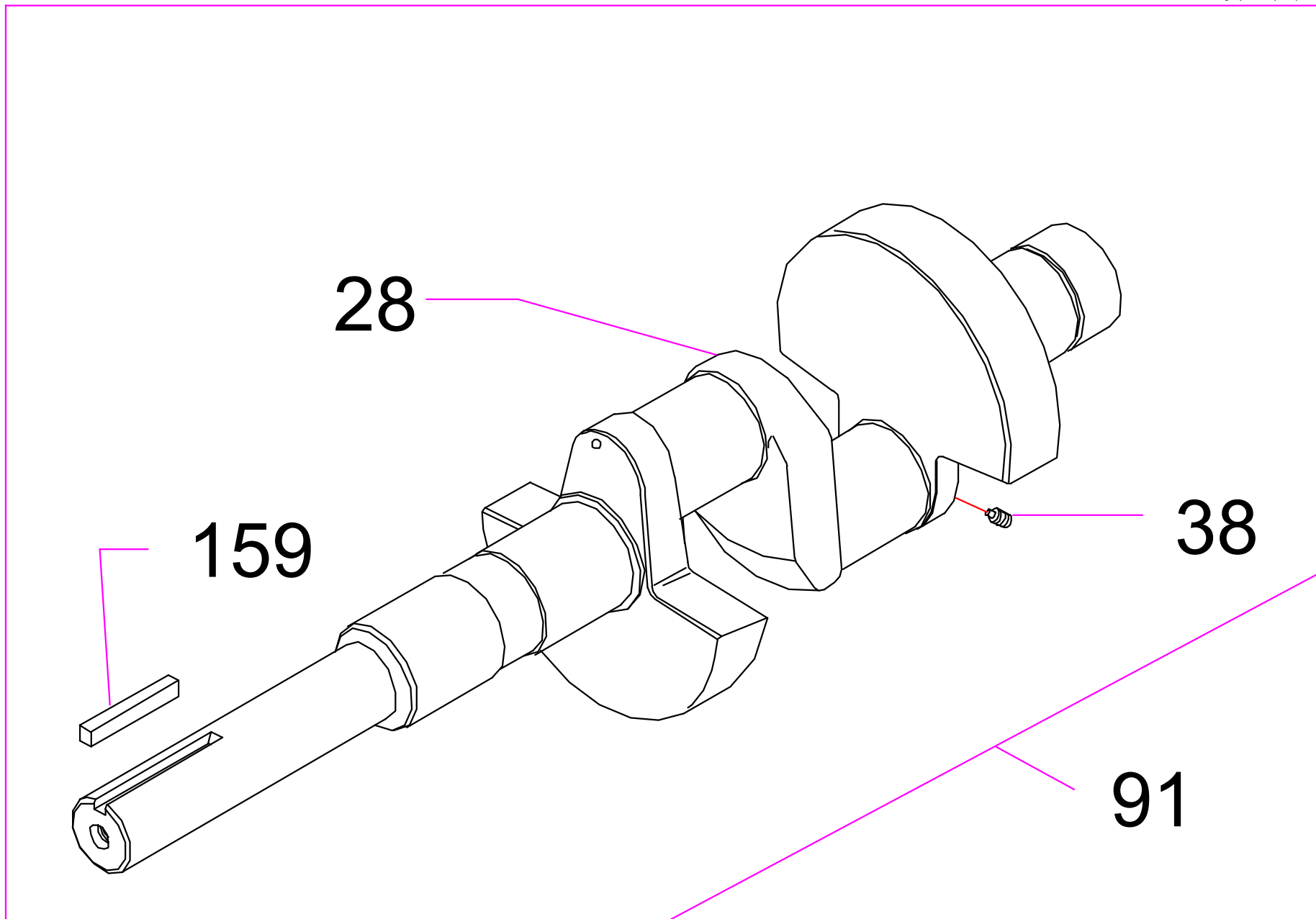
Pos	Code	Description	Serial number	Note	Q.ty
144	300150	Shut-off valve kit I=99 Ø80			1
144	300180	Shut-off valve kit I=99 Ø67			1
140	500250	Shut-off valve I=99			1
143	510500	Bush Ø80			1
143	510550	Bush Ø67			1



Discharge shut-off valve

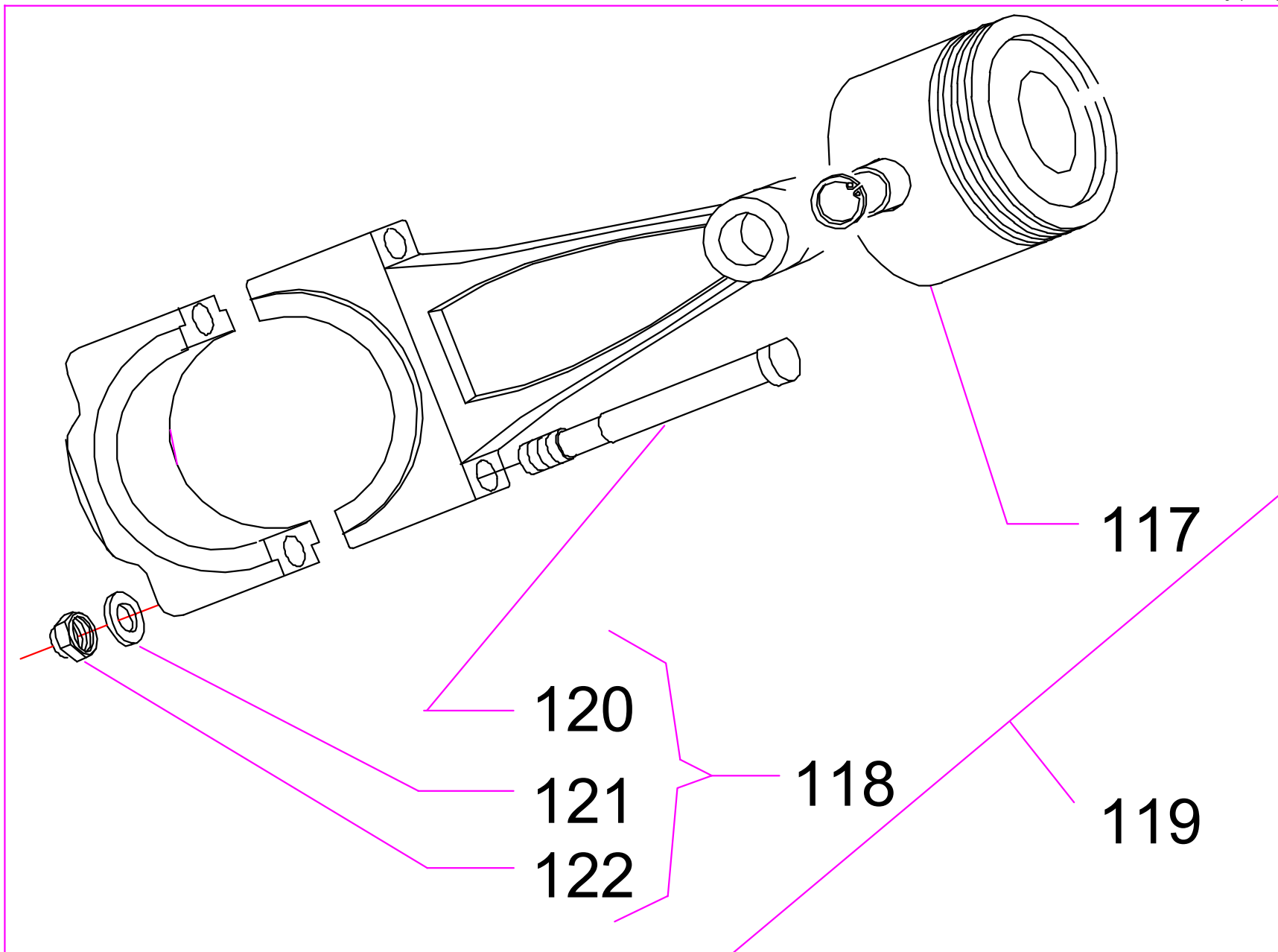
Pos	Code	Description	Serial number	Note	Q.ty
90	301630	Shut-off valve kit l=77.8 Ø54			1
47	500190	Shut-off valve l=78			1
58	513470	Bush Ø54			1
26	590260	Shut-off valve gasket Ø65xØ82x1			1
57	591120	Shut-off valve gasket Ø59xØ72.5x1			1

Discharge shut-off valve



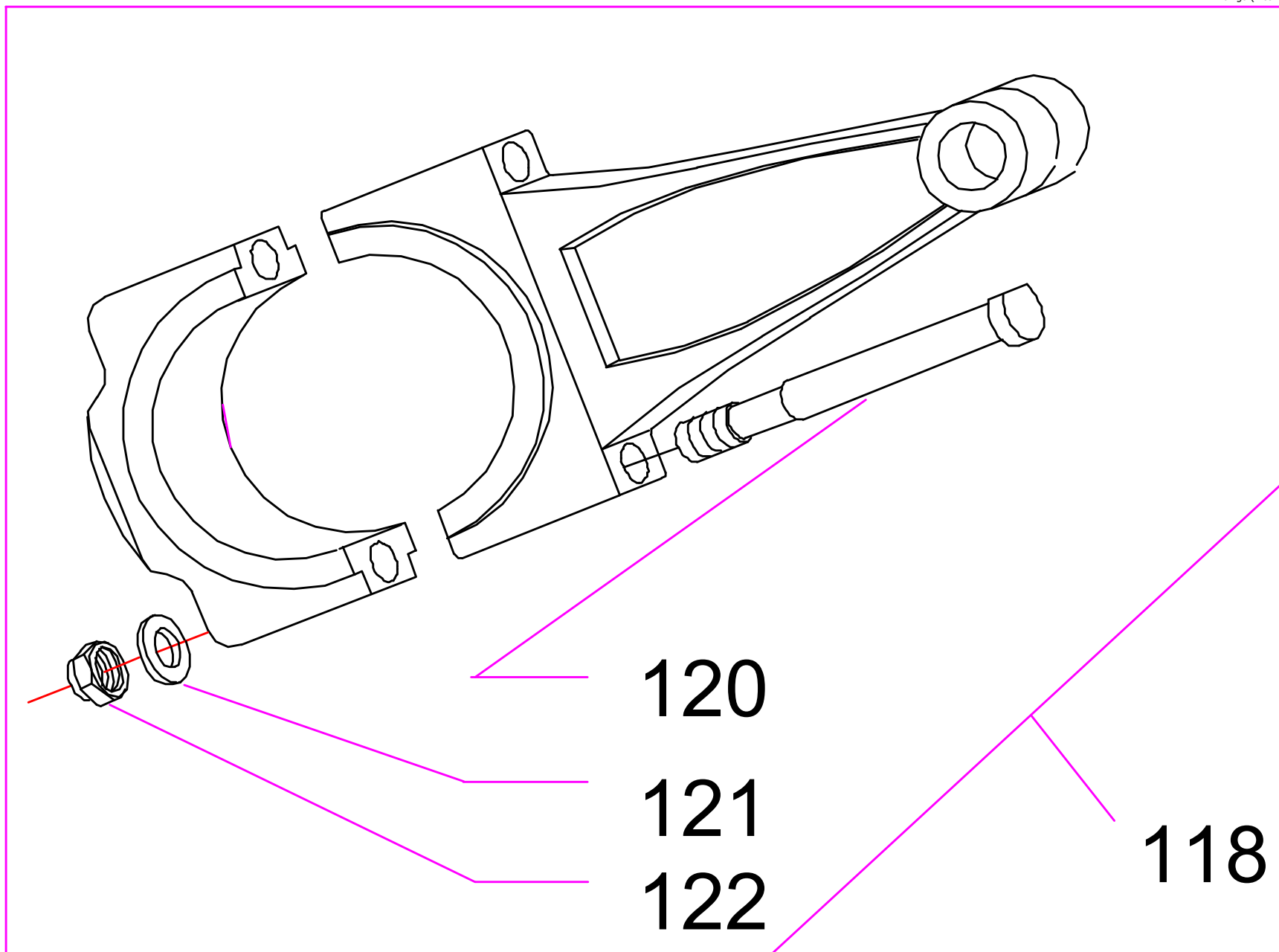
Crankshaft

Pos	Code	Description	Serial number	Note	Q.ty
91	310010	Crankshaft kit Ø65.087x87.28			1
91	310011	Crankshaft kit Ø65.087x87.28			1
91	310020	Crankshaft kit Ø65.087x87.28			1
28	510010	Crankshaft Ø65.087x87.28			1
28	510020	Crankshaft Ø65.087x87.28			1
38	510090	Magnetic plug 1/8"NPT			3
38	510090	Magnetic plug 1/8"NPT			2
159	510690	Key 12.7x12.7x51			1
159	510720	Key 12.7x12.7x89			1



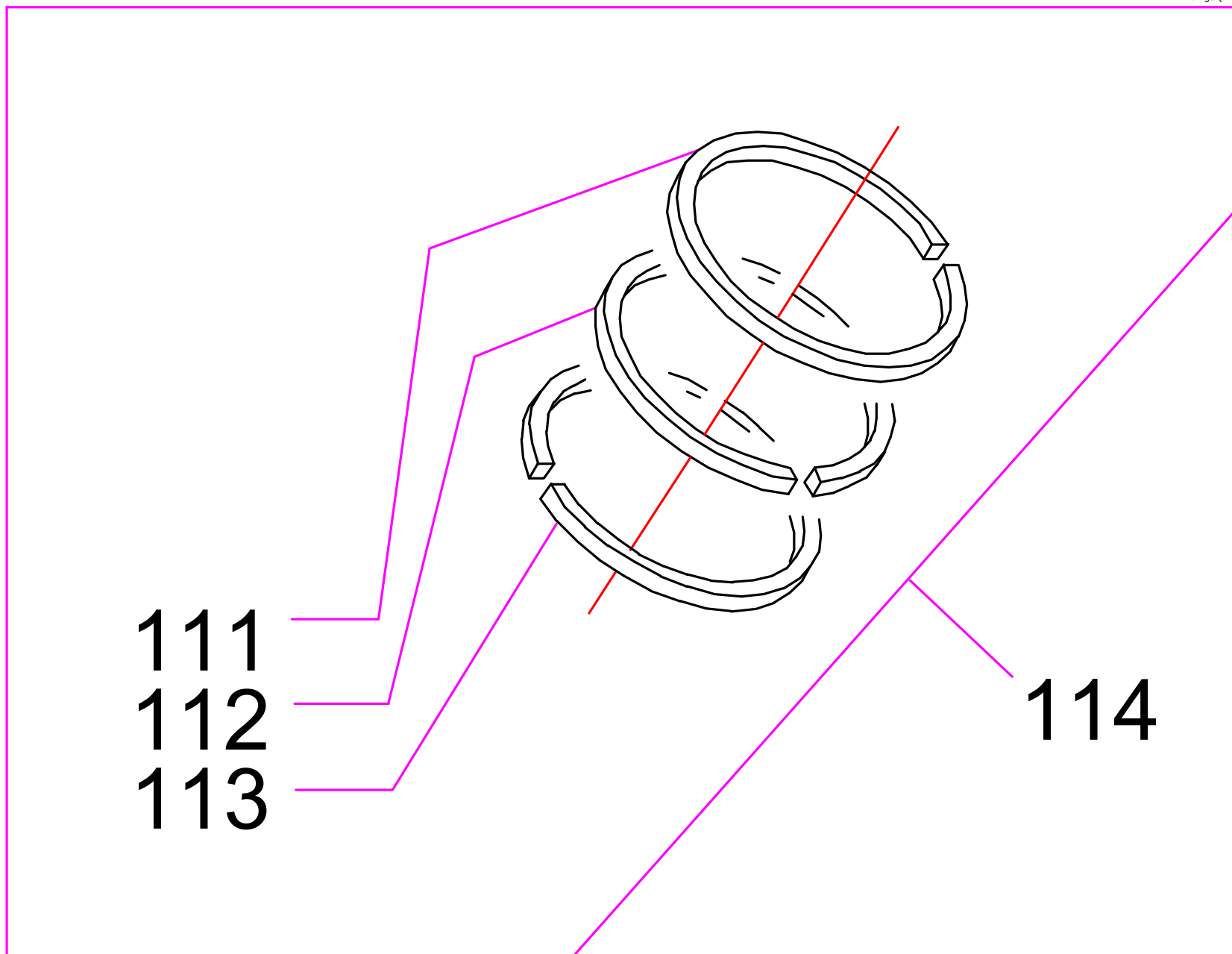
Connecting rod-Piston

Pos	Code	Description	Serial number	Note	Q.ty
117	300240	Piston complete 'F/OF' series			8
117	300240	Piston complete 'F/OF' series			6
119	300310	Connecting rod/piston kit Ø69.9x177.85 'F/OF' series			6
119	300310	Connecting rod/piston kit Ø69.9x177.85 'F/OF' series			8



Connecting rod

Pos	Code	Description	Serial number	Note	Q.ty
118	300430	Connecting rod kit Ø69.9x177.85 'F/OF' series			8
118	300430	Connecting rod kit Ø69.9x177.85 'F/OF' series			6
120	510360	Screw M9x1.25 'F/OF' series			16
120	510360	Screw M9x1.25 'F/OF' series			12
121	510380	Plane washer Ø9.5xØ17x2			12
121	510380	Plane washer Ø9.5xØ17x2			16
122	516110	Self-locking nut M9x1.25			12
122	516110	Self-locking nut M9x1.25			16

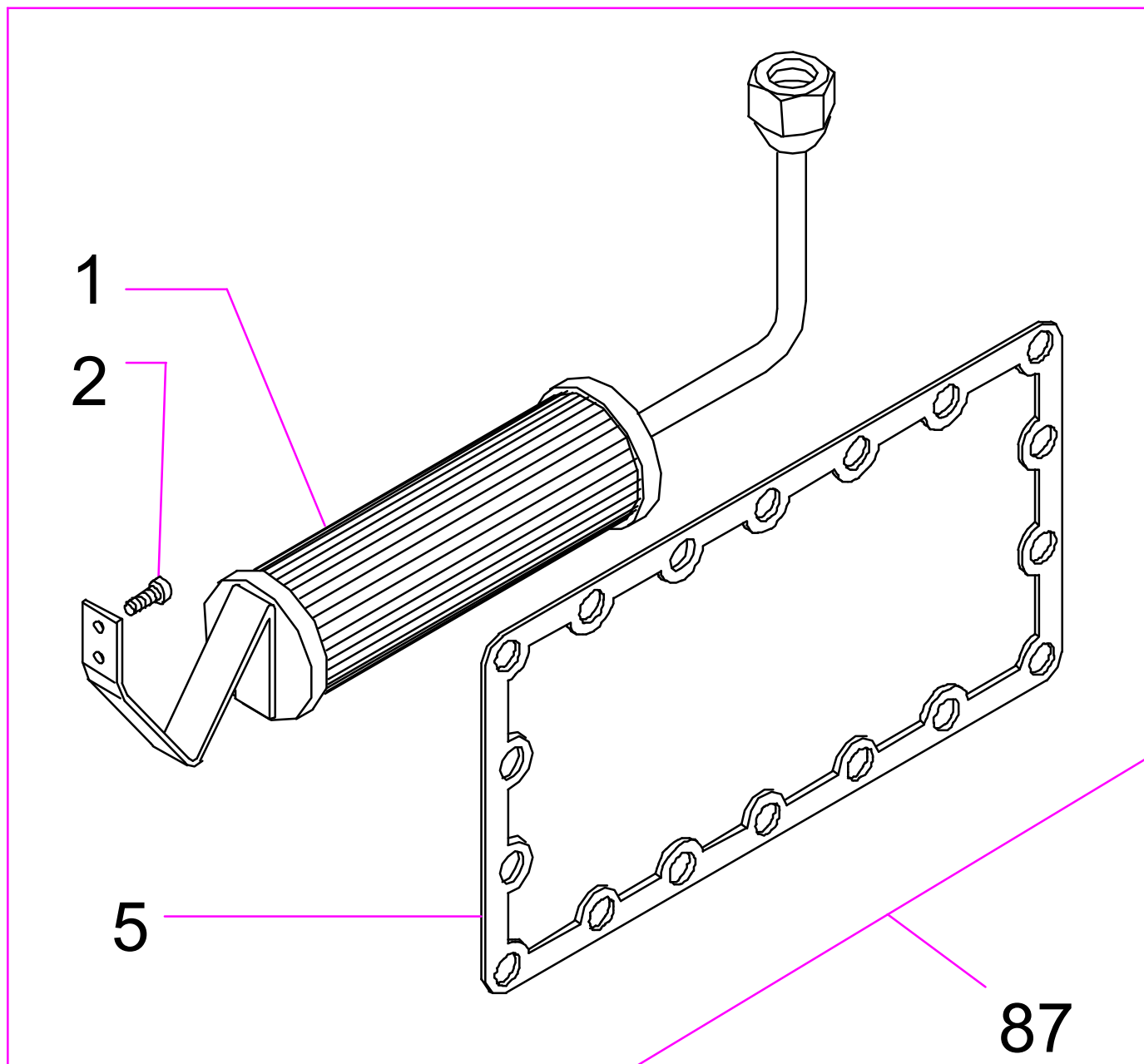


111
112
113

114

Compression ring

Pos	Code	Description	Serial number	Note	Q.ty
114	303185	Connecting rod kit 'F/OF' series			8
114	303185	Connecting rod kit 'F/OF' series			6
111	530970	Top compression ring			0
112	530980	Central compression ring			0
113	530990	Scraper ring			0



Oil strainer

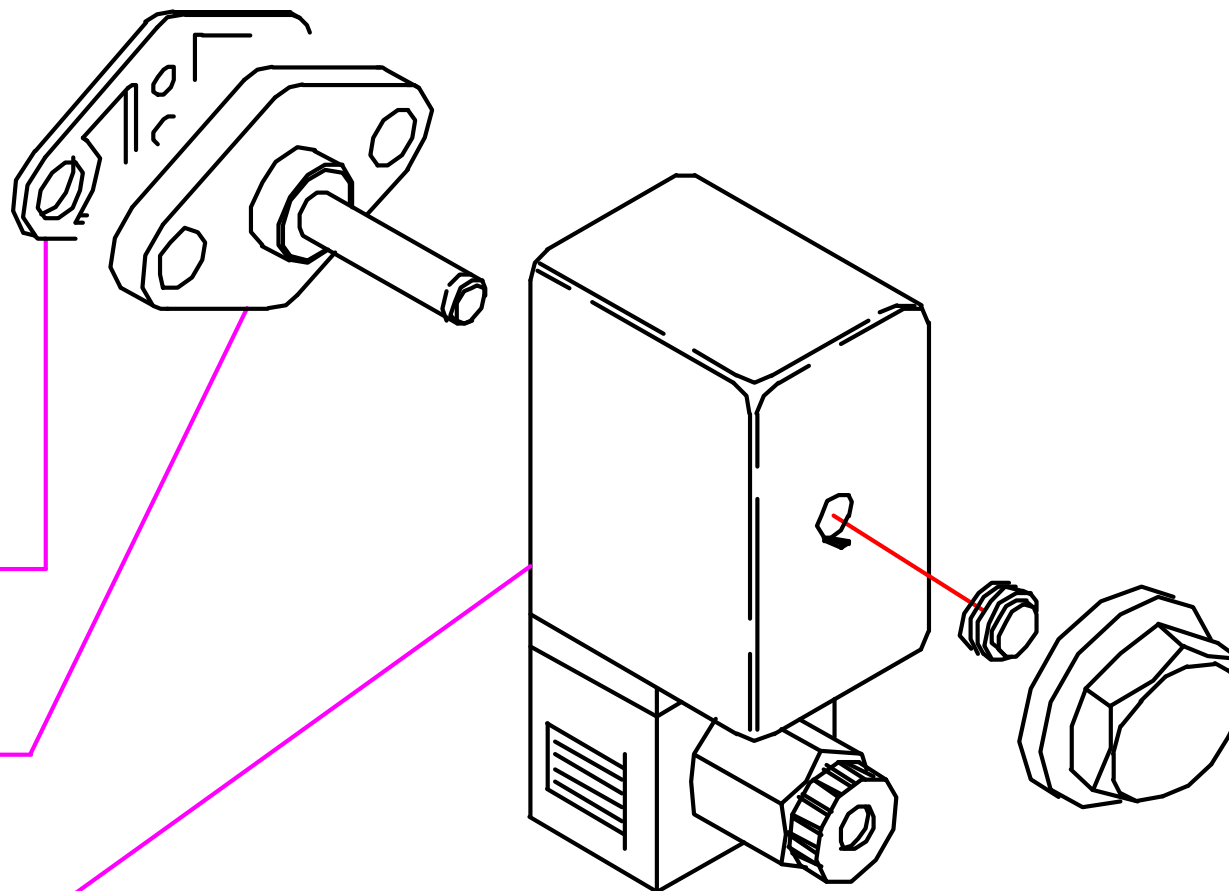
Pos	Code	Description	Serial number	Note	Q.ty
87	300110	Oil filter kit 'F' series			1
1	500110	Oil filter with bracket 'F' series			1
5	590140	Head and plate gasket 197x362x0.8 'OF/F' series			1
2	610550	Galvanized screw M5x12			2

93

43

42

44



Capacity control solenoid valve

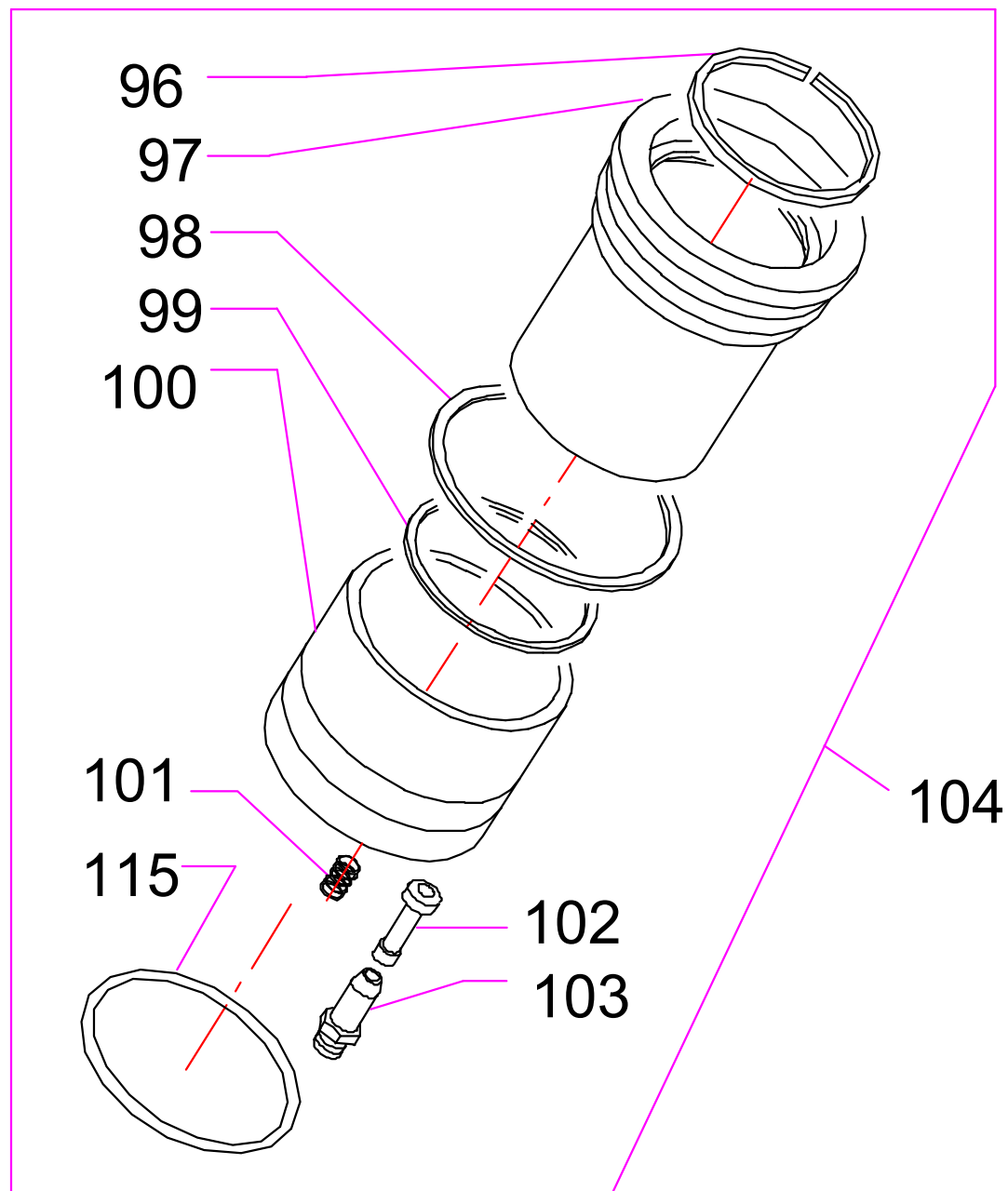
ATTENZIONE: il presente disegno è di esclusiva proprietà REFCOMP.
E' fatto divieto di riproduzione e di divulgazione anche parziale secondo
quanto regolato dalle norme vigenti.

ATTENTION: the present drawing is exclusively ownership of REFCOMP.
Is forbidden to reproduce and to disclose, even if partialy, the present
document in conformity to law regulation in force.

Pos	Code	Description	Serial number	Note	Q.ty
93	300910	Solenoid valve kit 230V 'F/OF/M' series			3
93	300910	Solenoid valve kit 230V 'F/OF/M' series			2
93	300910	Solenoid valve kit 230V 'F/OF/M' series			1
93	303188	Solenoid valve kit 110V 'F/OF/M' series			2
93	303188	Solenoid valve kit 110V 'F/OF/M' series			3
93	303188	Solenoid valve kit 110V 'F/OF/M' series			1
93	303189	Solenoid valve kit 24V 'F/OF/M' series			2
93	303189	Solenoid valve kit 24V 'F/OF/M' series			3
93	303189	Solenoid valve kit 24V 'F/OF/M' series			1
42	580050	Solenoid valve			1
42	580050	Solenoid valve			3
42	580050	Solenoid valve			2
44	580060	Coil 230V 50/60Hz			3
44	580060	Coil 230V 50/60Hz			2
44	580060	Coil 230V 50/60Hz			1
44	580070	Coil 110V 50/60Hz			1
44	580070	Coil 110V 50/60Hz			2
44	580070	Coil 110V 50/60Hz			3
43	590090	Solenoid valve gasket l=65 'OF/F/M' series			2
43	590090	Solenoid valve gasket l=65 'OF/F/M' series			1
43	590090	Solenoid valve gasket l=65 'OF/F/M' series			3
42	760200	Solenoid valve			3
42	760200	Solenoid valve			2
42	760200	Solenoid valve			1
44	760210	Coil 230V AC 50/60Hz			2
44	760210	Coil 230V AC 50/60Hz			1
44	760210	Coil 230V AC 50/60Hz			3
44	760220	Coil 110V 50/60Hz			3
44	760220	Coil 110V 50/60Hz			1
44	760220	Coil 110V 50/60Hz			2
44	760240	Coil 24V AC 50/60Hz			2
44	760240	Coil 24V AC 50/60Hz			3
44	760240	Coil 24V AC 50/60Hz			1
44	760360	Coil 24V DC			1
44	760360	Coil 24V DC			3
44	760360	Coil 24V DC			2

Capacity control solenoid valve

www.refcomp.it
spareparts@refcomp.it

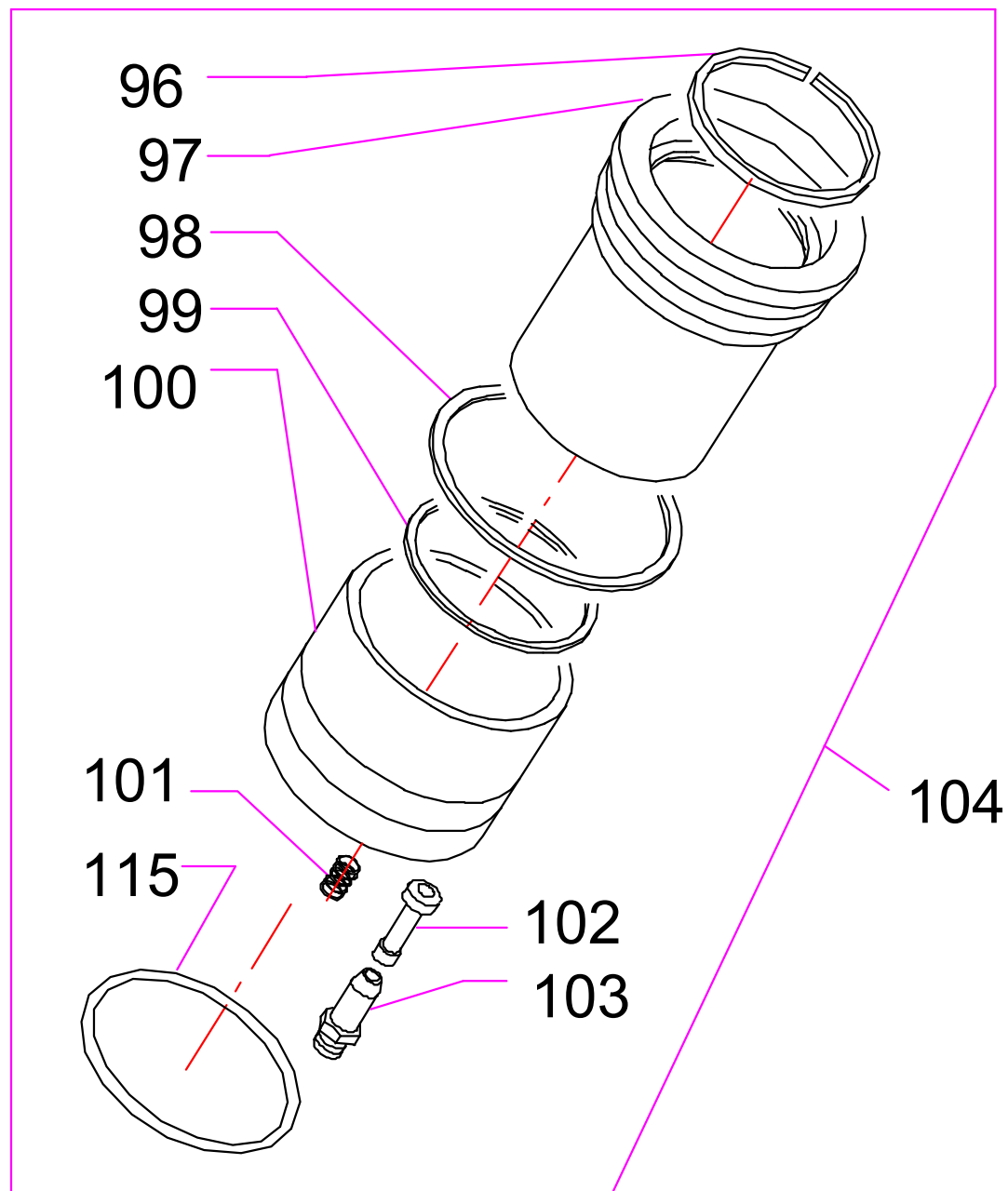


Unloader

Pos	Code	Description	Serial number	Note	Q.ty
104	300040	Unloader kit 'F/OF' series			3
104	300040	Unloader kit 'F/OF' series			2
104	300040	Unloader kit 'F/OF' series			6
104	300040	Unloader kit 'F/OF' series			4
104	300040	Unloader kit 'F/OF' series			3
104	300040	Unloader kit 'F/OF' series			2
104	300040	Unloader kit 'F/OF' series			3
104	300040	Unloader kit 'F/OF' series			5
104	300040	Unloader kit 'F/OF' series			4
104	300040	Unloader kit 'F/OF' series			4
103	510140	Connector storage			2
103	510140	Connector storage			3
103	510140	Connector storage			4
103	510140	Connector storage			3
103	510140	Connector storage			3
103	510140	Connector storage			6
103	510140	Connector storage			4
103	510140	Connector storage			5
103	510140	Connector storage			4
103	510140	Connector storage			2
101	510240	Return spring for unloader			42
101	510240	Return spring for unloader			70
101	510240	Return spring for unloader			28
101	510240	Return spring for unloader			84
101	510240	Return spring for unloader			42
101	510240	Return spring for unloader			28
101	510240	Return spring for unloader			56
101	510240	Return spring for unloader			42
101	510240	Return spring for unloader			56
101	510240	Return spring for unloader			56
97	520020	Unloader internal bush Ø92			5
97	520020	Unloader internal bush Ø92			2
97	520020	Unloader internal bush Ø92			2
97	520020	Unloader internal bush Ø92			4
97	520020	Unloader internal bush Ø92			3
97	520020	Unloader internal bush Ø92			4
97	520020	Unloader internal bush Ø92			3
97	520020	Unloader internal bush Ø92			6
97	520020	Unloader internal bush Ø92			4
97	520020	Unloader internal bush Ø92			3
100	520030	Unloader external bush Ø98			4
100	520030	Unloader external bush Ø98			4
100	520030	Unloader external bush Ø98			6
100	520030	Unloader external bush Ø98			3
100	520030	Unloader external bush Ø98			2
100	520030	Unloader external bush Ø98			5

Unloader

www.refcomp.it
spareparts@refcomp.it

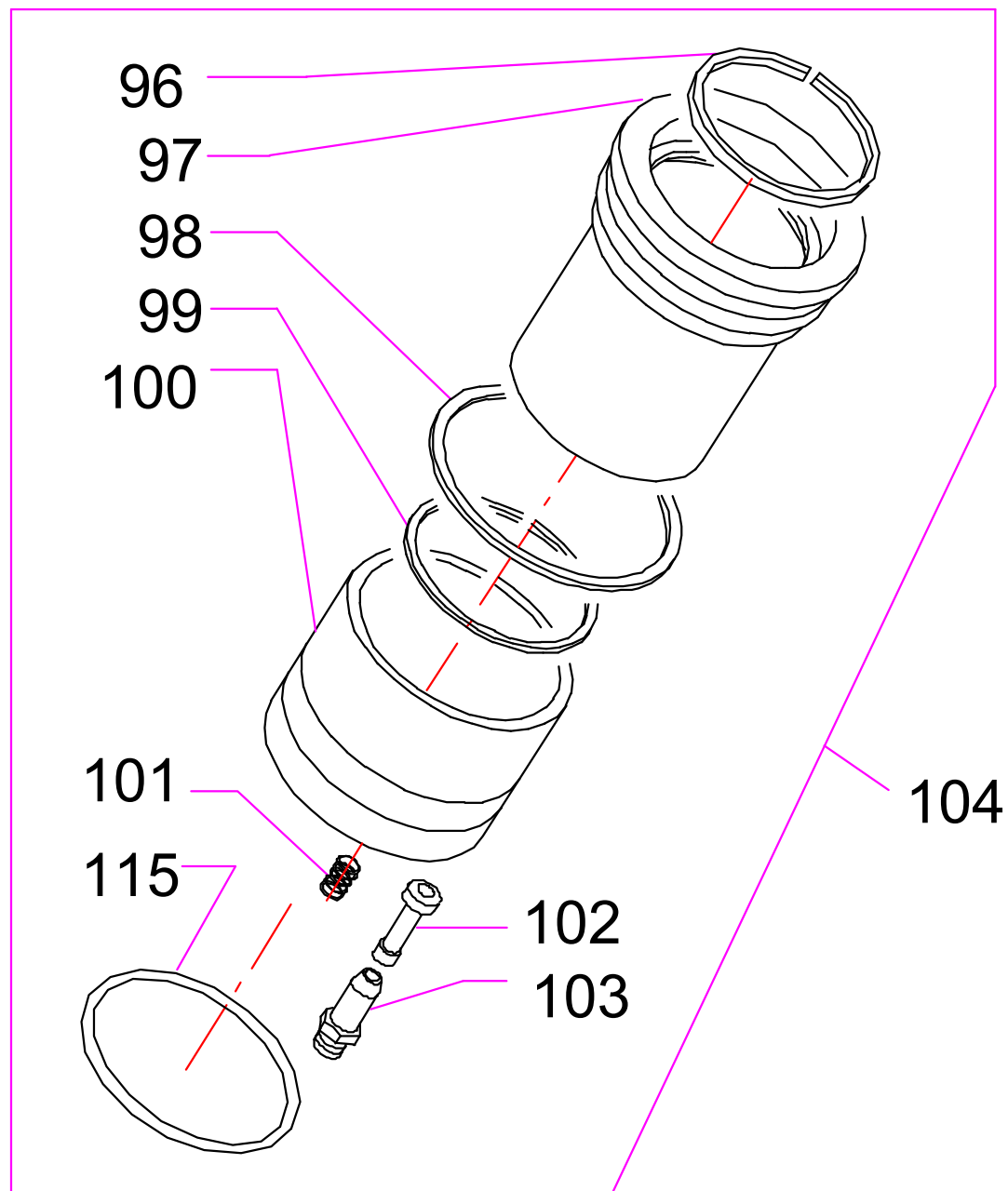


Unloader

Pos	Code	Description	Serial number	Note	Q.ty
100	520030	Unloader external bush Ø98			3
100	520030	Unloader external bush Ø98			4
100	520030	Unloader external bush Ø98			2
100	520030	Unloader external bush Ø98			3
102	590060	Teflon connector unloader			3
102	590060	Teflon connector unloader			4
102	590060	Teflon connector unloader			4
102	590060	Teflon connector unloader			4
102	590060	Teflon connector unloader			5
102	590060	Teflon connector unloader			2
102	590060	Teflon connector unloader			2
102	590060	Teflon connector unloader			3
102	590060	Teflon connector unloader			3
102	590060	Teflon connector unloader			6
96	590340	O-ring OR6362			4
96	590340	O-ring OR6362			4
96	590340	O-ring OR6362			3
96	590340	O-ring OR6362			3
96	590340	O-ring OR6362			3
96	590340	O-ring OR6362			6
96	590340	O-ring OR6362			2
96	590340	O-ring OR6362			5
96	590340	O-ring OR6362			2
96	590340	O-ring OR6362			4
99	590350	O-ring OR6387			4
99	590350	O-ring OR6387			4
99	590350	O-ring OR6387			2
99	590350	O-ring OR6387			3
99	590350	O-ring OR6387			2
99	590350	O-ring OR6387			5
99	590350	O-ring OR6387			4
99	590350	O-ring OR6387			6
99	590350	O-ring OR6387			3
99	590350	O-ring OR6387			3
115	690070	O-ring OR2350			3
115	690070	O-ring OR2350			4
115	690070	O-ring OR2350			3
115	690070	O-ring OR2350			3
115	690070	O-ring OR2350			2
115	690070	O-ring OR2350			4
115	690070	O-ring OR2350			2
115	690070	O-ring OR2350			6
115	690070	O-ring OR2350			5
115	690070	O-ring OR2350			4
98	690130	O-ring OR6400			4
98	690130	O-ring OR6400			2

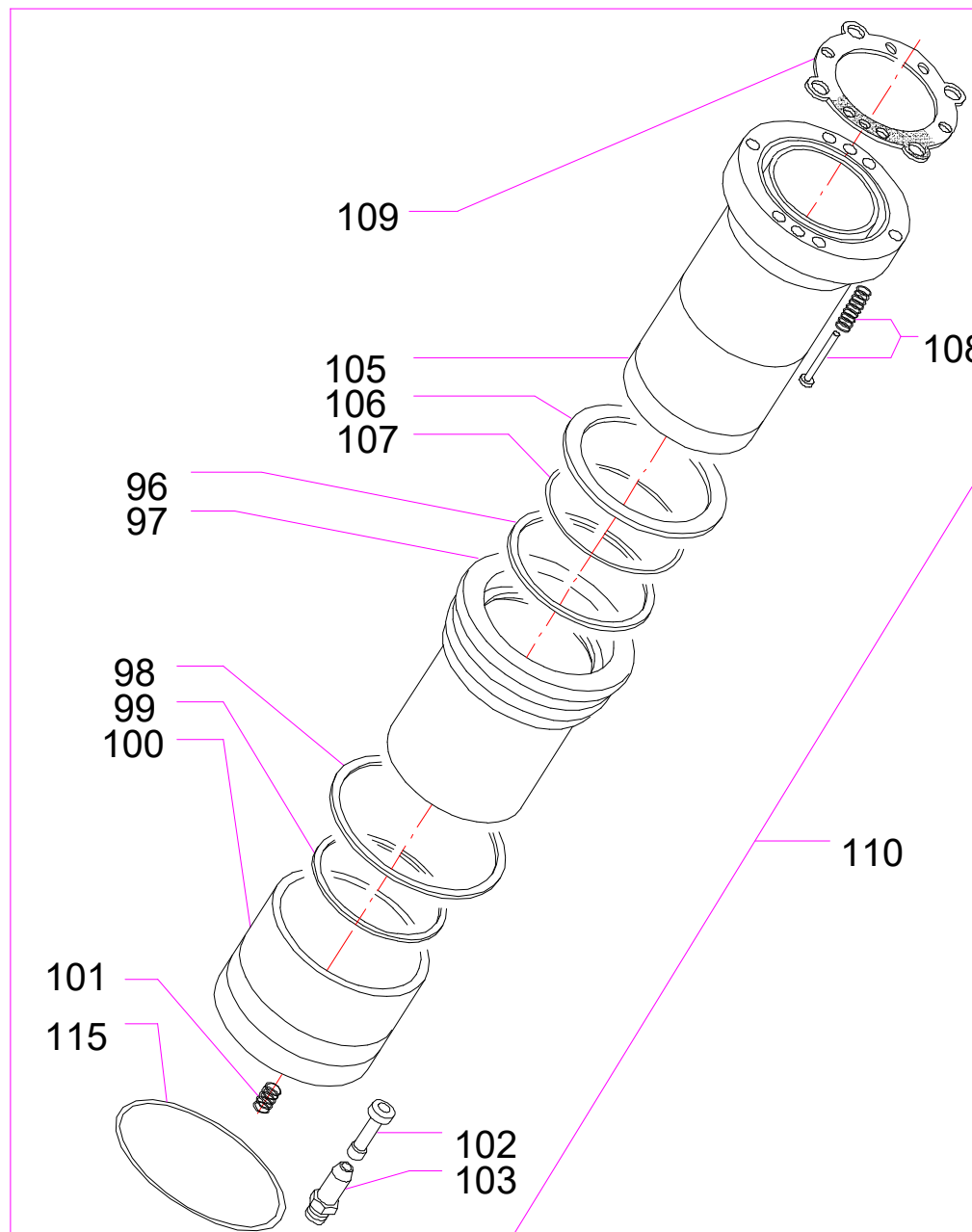
Unloader

www.refcomp.it
spareparts@refcomp.it



Unloader

Pos	Code	Description	Serial number	Note	Q.ty
98	690130	O-ring OR6400			4
98	690130	O-ring OR6400			2
98	690130	O-ring OR6400			3
98	690130	O-ring OR6400			3
98	690130	O-ring OR6400			3
98	690130	O-ring OR6400			6
98	690130	O-ring OR6400			4
98	690130	O-ring OR6400			5



Unloader cylinder

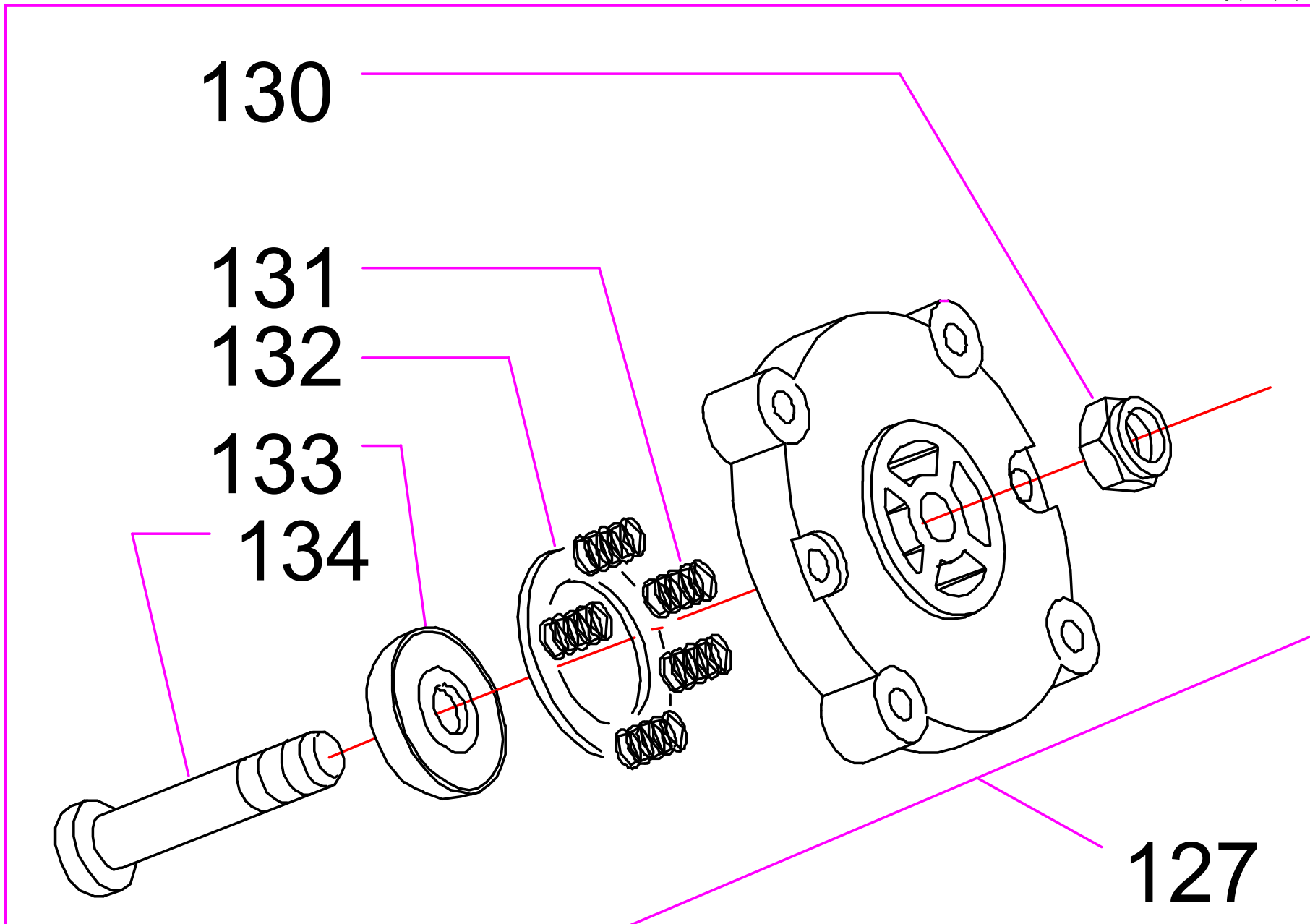
ATTENZIONE: il presente disegno è di esclusiva proprietà REFCOMP. E' fatto divieto di riproduzione e di divulgazione anche parziale secondo quanto regolato dalle norme vigenti.

ATTENTION: the present drawing is exclusively ownership of REFCOMP. Is forbidden to reproduce and to disclose, even if partially, the present document in conformity to law regulation in force.

Pos	Code	Description	Serial number	Note	Q.ty
110	300030	Cylinder unloader kit 'F/OF' series			2
110	300030	Cylinder unloader kit 'F/OF' series			3
110	300030	Cylinder unloader kit 'F/OF' series			3
110	300030	Cylinder unloader kit 'F/OF' series			4
110	300030	Cylinder unloader kit 'F/OF' series			2
110	300030	Cylinder unloader kit 'F/OF' series			4
110	300030	Cylinder unloader kit 'F/OF' series			4
110	300030	Cylinder unloader kit 'F/OF' series			6
110	300030	Cylinder unloader kit 'F/OF' series			5
110	300030	Cylinder unloader kit 'F/OF' series			3
108	300340	Pin / unloader spring kit 'F/OF' series			4
108	300340	Pin / unloader spring kit 'F/OF' series			6
108	300340	Pin / unloader spring kit 'F/OF' series			5
108	300340	Pin / unloader spring kit 'F/OF' series			4
108	300340	Pin / unloader spring kit 'F/OF' series			3
108	300340	Pin / unloader spring kit 'F/OF' series			3
108	300340	Pin / unloader spring kit 'F/OF' series			4
108	300340	Pin / unloader spring kit 'F/OF' series			2
108	300340	Pin / unloader spring kit 'F/OF' series			2
108	300340	Pin / unloader spring kit 'F/OF' series			3
107	510220	Elastic ring			2
107	510220	Elastic ring			4
107	510220	Elastic ring			6
107	510220	Elastic ring			3
107	510220	Elastic ring			4
107	510220	Elastic ring			3
107	510220	Elastic ring			4
107	510220	Elastic ring			3
107	510220	Elastic ring			2
107	510220	Elastic ring			5
106	510230	Lift ring unloader valve			4
106	510230	Lift ring unloader valve			2
106	510230	Lift ring unloader valve			5
106	510230	Lift ring unloader valve			3
106	510230	Lift ring unloader valve			3
106	510230	Lift ring unloader valve			4
106	510230	Lift ring unloader valve			2
106	510230	Lift ring unloader valve			3
106	510230	Lift ring unloader valve			4
106	510230	Lift ring unloader valve			6

Unloader cylinder

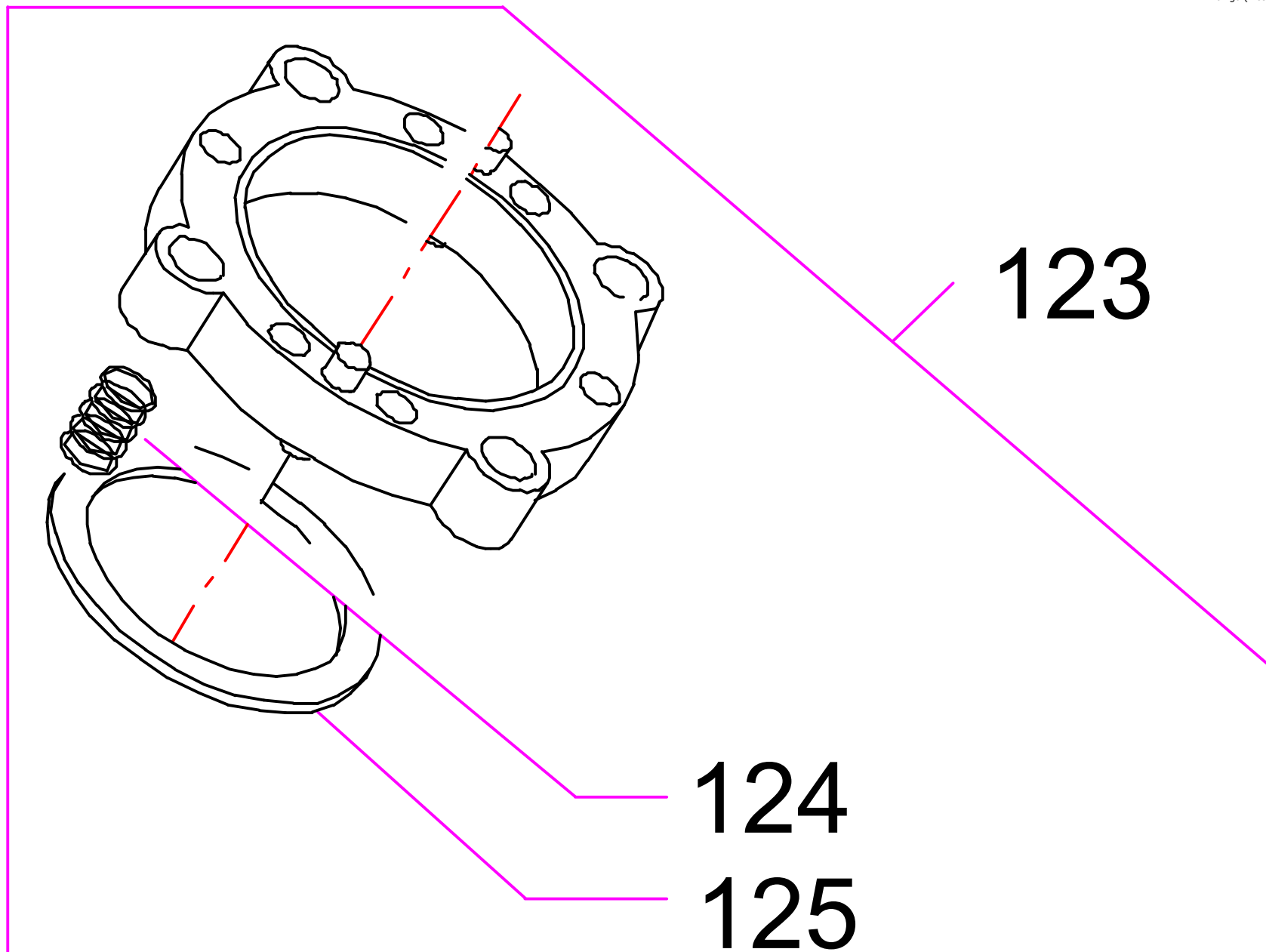
www.refcomp.it
spareparts@refcomp.it



Discharge valve

Pos	Code	Description	Serial number	Note	Q.ty
127	300161	Discharge valve kit 'F/OF' series			8
127	300161	Discharge valve kit 'F/OF' series			6
132	510130	Discharge ring valve 0.9mm 'F/OF' series			6
132	510130	Discharge ring valve 0.9mm 'F/OF' series			8
131	510280	Discharge valve spring			30
131	510280	Discharge valve spring			40
132	513740	Discharge ring valve 1.2mm 'F/OF' series			6
132	513740	Discharge ring valve 1.2mm 'F/OF' series			8
134	516500	Suction valve seat screw 'F/OF' series			8
134	516500	Suction valve seat screw 'F/OF' series			6
133	516510	Discharge valve seat			8
133	516510	Discharge valve seat			6
130	613780	Self-locking nut M12			6
130	613780	Self-locking nut M12			8

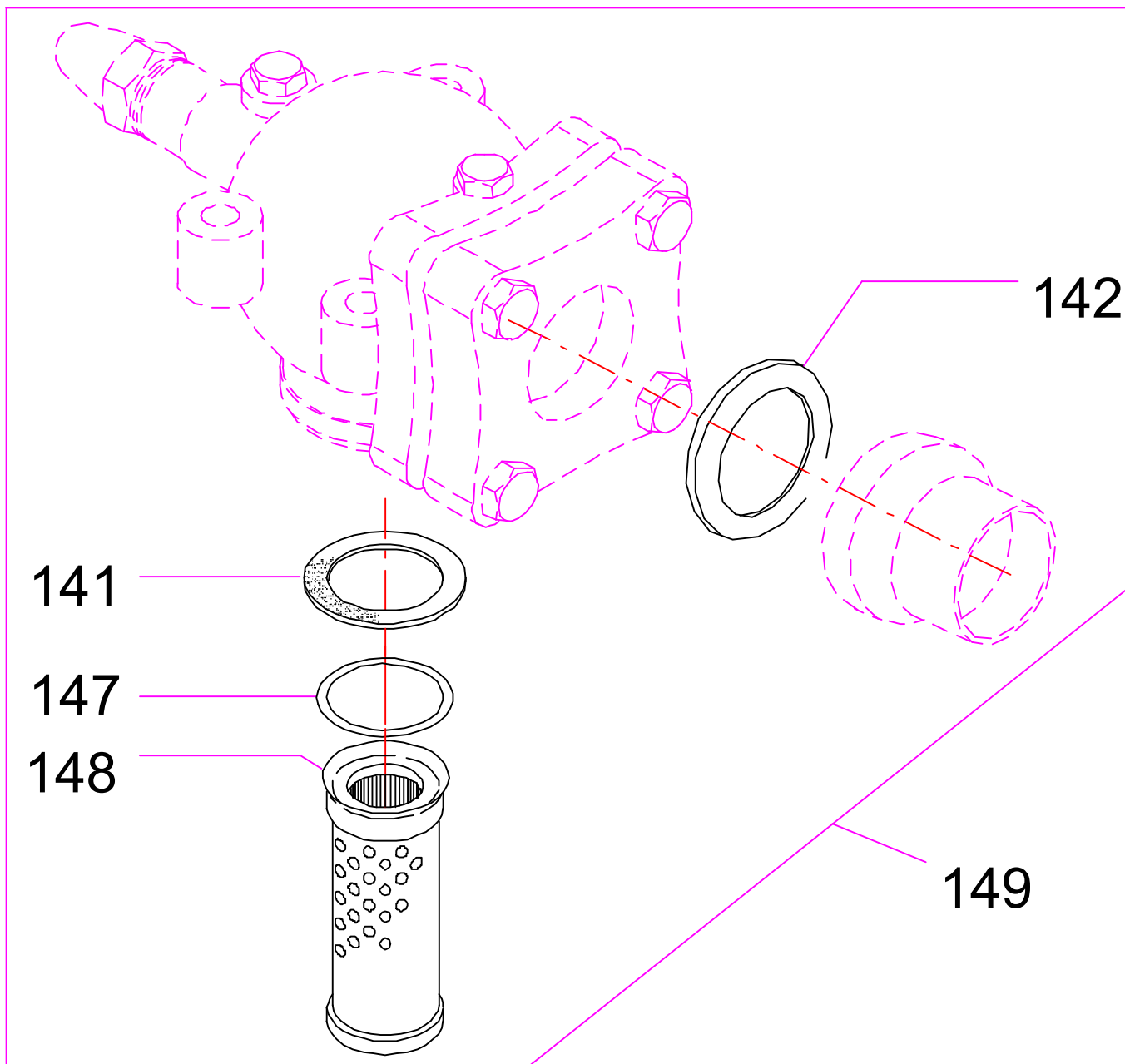
Discharge valve



Suction valve

Pos	Code	Description	Serial number	Note	Q.ty
123	300171	Suction valve kit 'F/OF' series			6
123	300171	Suction valve kit 'F/OF' series			8
125	510120	Suction ring valve 0.9mm 'F/OF' series			7
125	510120	Suction ring valve 0.9mm 'F/OF' series			5
125	510120	Suction ring valve 0.9mm 'F/OF' series			6
125	510120	Suction ring valve 0.9mm 'F/OF' series			8
124	510250	Suction valve spring			30
124	510250	Suction valve spring			48
124	510250	Suction valve spring			36
124	510250	Suction valve spring			42
125	513790	Suction valve ring 1.2mm 'F/OF' series			6
125	513790	Suction valve ring 1.2mm 'F/OF' series			7
125	513790	Suction valve ring 1.2mm 'F/OF' series			5
125	513790	Suction valve ring 1.2mm 'F/OF' series			8

Suction valve



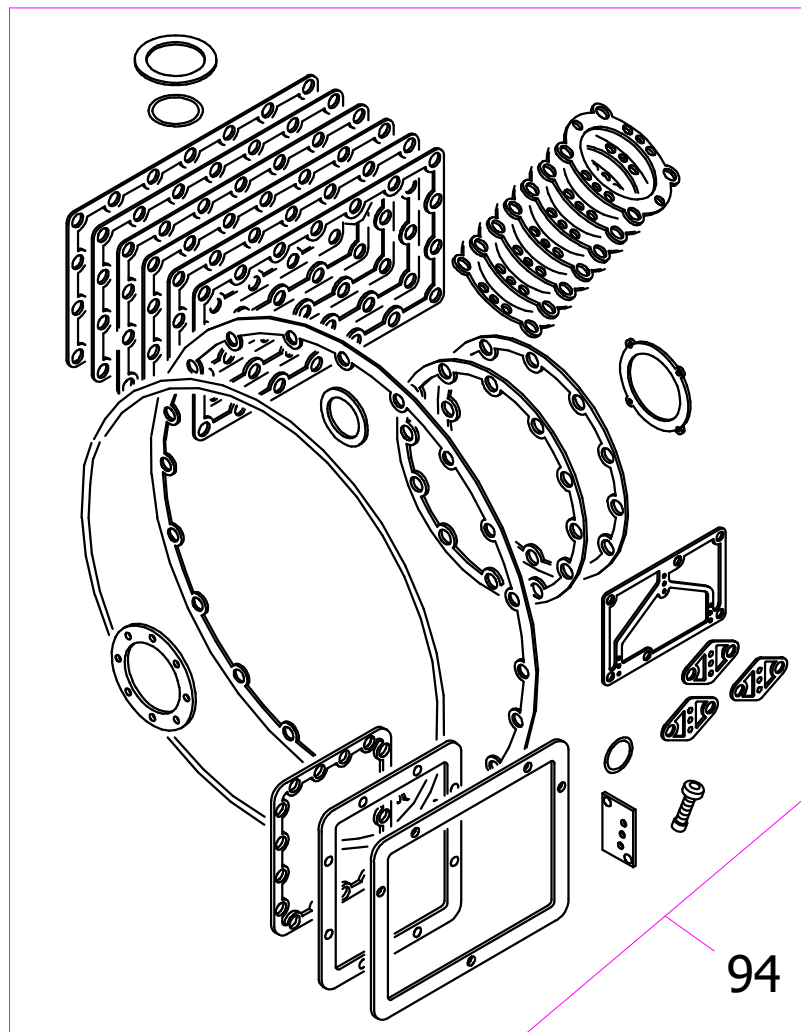
Suction strainer

ATTENZIONE: il presente disegno è di esclusiva proprietà REFCOMP. E' fatto divieto di riproduzione e di divulgazione anche parziale secondo quanto regolato dalle norme vigenti.

ATTENTION: the present drawing is exclusively ownership of REFCOMP. Is forbidden to reproduce and to disclose, even if partially, the present document in conformity to law regulation in force.

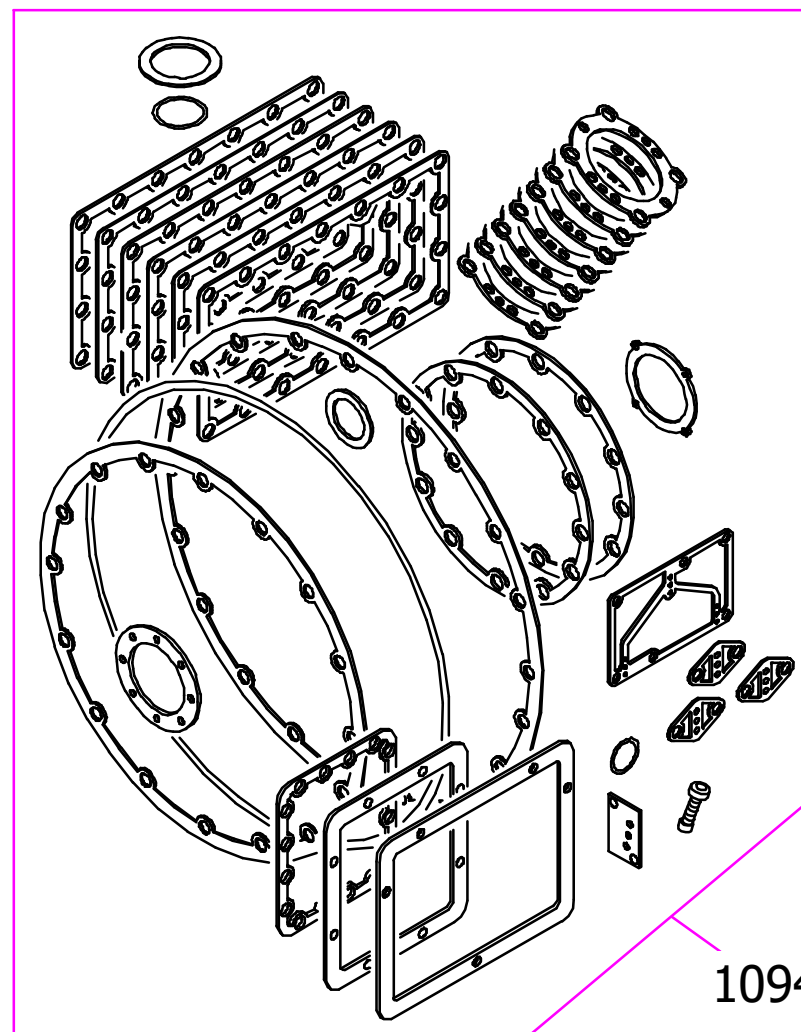
Pos	Code	Description	Serial number	Note	Q.ty
149	300100	Suction filter kit 'F/OF/L/M' series			1
148	500100	Suction filter Ø86.5x158.7			1
141	590250	Shut-off valve gasket Ø87.5xØ106.8x1			1
147	590380	O-ring OR3325			1
142	591130	Shut-off valve gasket Ø84.8xØ105.8x1			1

only 'ORC-F' models



94

only 'SRC-F' models



1094

Gaskets

ATTENZIONE: il presente disegno è di esclusiva proprietà REFCOMP.
E' fatto divieto di riproduzione e di divulgazione anche parziale secondo
quanto regolato dalle norme vigenti.

ATTENTION: the present drawing is exclusively ownership of REFCOMP.
Is forbidden to reproduce and to disclose, even if partially, the present
document in conformity to law regulation in force.

Pos	Code	Description	Serial number	Note	Q.ty
1094	300400	Gasket kit 'F' series			1
94	300450	Gasket kit 'OF' series			1

Gaskets