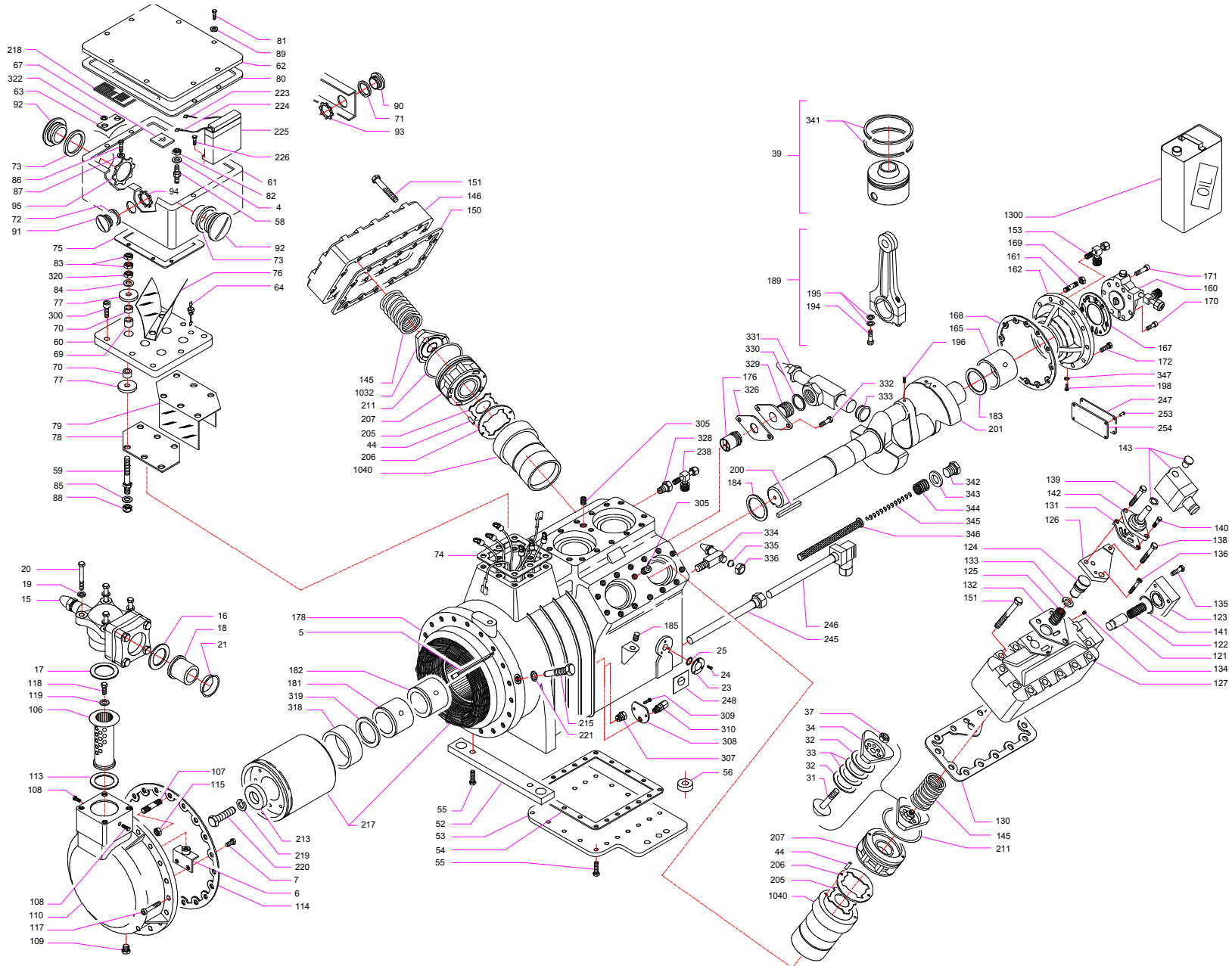


Model: "SRC-L" Series



SRC-L-105_120_130

ATTENZIONE: il presente disegno è di esclusiva proprietà REFCOMP. E' fatto divieto di riproduzione e di divulgazione anche parziale secondo quanto regolato dalle norme vigenti.

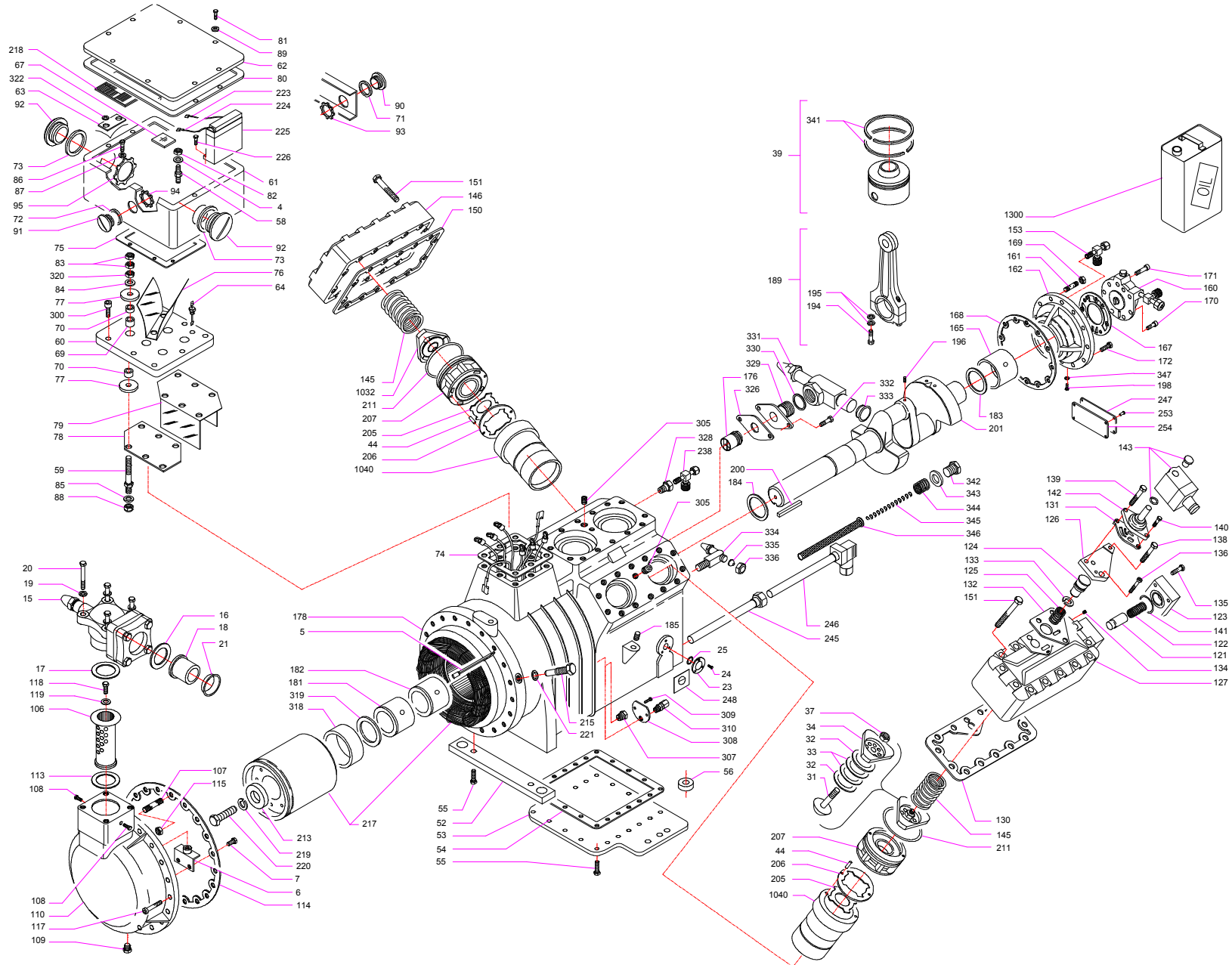
ATTENTION: the present drawing is exclusively ownership of REFCOMP. Is forbidden to reproduce and to disclose, even if partialy, the present document in conformity to law regulation in force.

Pos	Code	Description	Serial number	Note	Q.ty
1300	303313	Tank oil kit 10Lt 'SD22-13'		NOT AVAILABLE	1
1300	303314	Tank oil kit 6Lt 'RL68H'		NOT AVAILABLE	1
238	500260	Tee-piece union 1/8"NPT-1/4"-1/4"SAE		NOT AVAILABLE	1
176	500580	Max valve 30bar 1"NPT		NOT AVAILABLE	1
245	501030	Carter heater protector Ø10 'L' series		NOT AVAILABLE	1
245	501530	Carter heater protector Ø16		NOT AVAILABLE	1
52	511190	Compressor supporting plate		NOT AVAILABLE	1
200	511370	Key M6		NOT AVAILABLE	1
342	511450	Discharge plug M20x1.5		NOT AVAILABLE	1
213	511490	Shaft washer		NOT AVAILABLE	1
58	511510	Ground screw		NOT AVAILABLE	1
145	511520	Safety cylinderhead spring		NOT AVAILABLE	6
329	511620	Flange connection Ø70 1"3/4-12UNC		NOT AVAILABLE	1
318	511650	Spacer Ø41.3xØ60x23.5		NOT AVAILABLE	1
5	511670	Stator key electric motor		NOT AVAILABLE	1
374	511990	Thickness of suction valve plate		NOT AVAILABLE	4
161	512080	Tie rod M10x60		NOT AVAILABLE	2
6	512180	Suction filter support		NOT AVAILABLE	1
53	513920	Lower closing plate		NOT AVAILABLE	1
107	516170	Tie rod M10x50		NOT AVAILABLE	2
108	519143	Plug 1/8" NPT		NOT AVAILABLE	2
109	519147	Plug 1/4" NPT		NOT AVAILABLE	1
146	530660	Standard cylinderhead 'L' series		NOT AVAILABLE	2
146	530660	Standard cylinderhead 'L' series		NOT AVAILABLE	1
146	530660	Standard cylinderhead 'L' series		NOT AVAILABLE	3
110	531020	Semihermetic cover		NOT AVAILABLE	1
178	531490	6 cylinder crankcase 'L' series		NOT AVAILABLE	1
178	531500	6 cylinder crankcase 'L' series		NOT AVAILABLE	1
63	540200	Direct starting rail		NOT AVAILABLE	3
246	580330	Crankcase heater 230V 200W Ø10		NOT AVAILABLE	1
246	580340	Crankcase heater 110V 200W Ø10		NOT AVAILABLE	1
246	580350	Crankcase heater 24V 200W Ø10		NOT AVAILABLE	1
223	580420	Electrical wire L=190		NOT AVAILABLE	1
224	580430	Electrical wire L=290		NOT AVAILABLE	1
246	581190	Crankcase heater 230V 200W Ø14		NOT AVAILABLE	1
246	581200	Crankcase heater 110V 200W Ø14		NOT AVAILABLE	1
246	581230	Crankcase heater 24V 200W Ø14		NOT AVAILABLE	1
225	581250	Motor protection device INT69VS 230V		NOT AVAILABLE	1
225	581900	Motor protection device INT69VS 110V		NOT AVAILABLE	1
225	581910	Motor protection device INT69VS 24V AC		NOT AVAILABLE	1
247	585010	Data compressor nameplate P.W.		NOT AVAILABLE	1
254	585430	Data compressor nameplate Y/D		NOT AVAILABLE	1
248	585580	Oil level label		NOT AVAILABLE	2
319	590700	Oil seal ring Ø45		NOT AVAILABLE	1
150	590820	Standard cylinderhead gasket 'L' series		NOT AVAILABLE	1
150	590820	Standard cylinderhead gasket 'L' series		NOT AVAILABLE	3

SRC-L-105_120_130

www.refcomp.it
spareparts@refcomp.it

Model: "SRC-L" Series

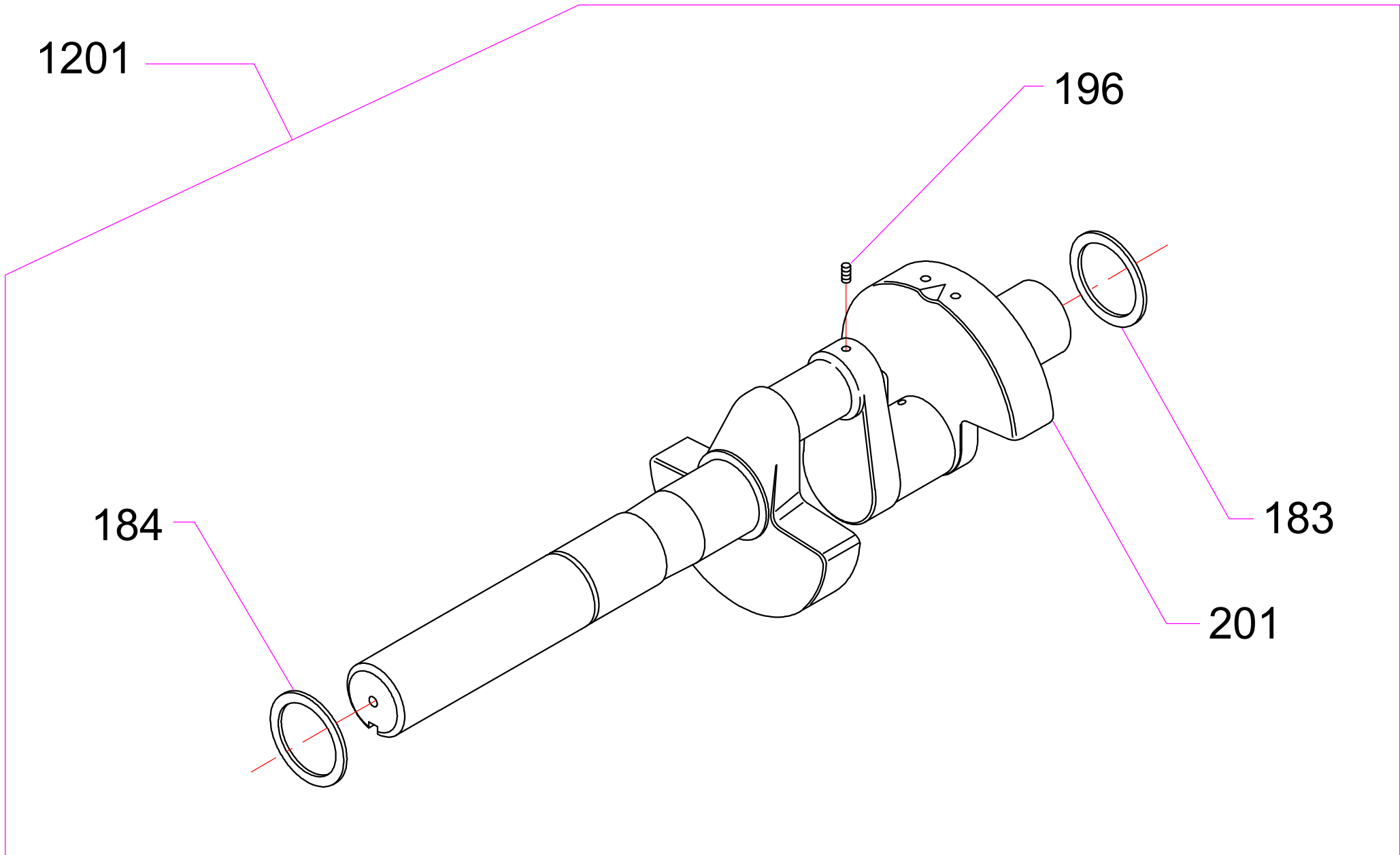


SRC-L-105_120_130

ATTENZIONE: il presente disegno è di esclusiva proprietà REFCOMP. E' fatto divieto di riproduzione e di divulgazione anche parziale secondo quanto regolato dalle norme vigenti.

ATTENTION: the present drawing is exclusively ownership of REFCOMP. Is forbidden to reproduce and to disclose, even if partially, the present document in conformity to law regulation in force.

Pos	Code	Description	Serial number	Note	Q.ty
150	590820	Standard cylinderhead gasket 'L' series		NOT AVAILABLE	2
114	591090	Cover/crankcase gasket 'L' series		NOT AVAILABLE	1
54	591640	Lower plate gasket 250x265x1 'L' series		NOT AVAILABLE	1
328	610030	Rastelli reduction 1/4"x1/8"NPT		NOT AVAILABLE	1
305	610250	Plug 3/8"NPT		NOT AVAILABLE	2
305	610250	Plug 3/8"NPT		NOT AVAILABLE	1
185	610250	Plug 3/8"NPT		NOT AVAILABLE	2
226	610610	Galvanized screw M4x14		NOT AVAILABLE	2
332	610640	Screw M12x30		NOT AVAILABLE	2
82	610790	Galvanized nut M6		NOT AVAILABLE	1
115	610820	Galvanized nut M10		NOT AVAILABLE	2
169	610820	Galvanized nut M10		NOT AVAILABLE	2
19	610940	Galvanized grower washer M16		NOT AVAILABLE	4
219	610990	Galvanized grower washer M14		NOT AVAILABLE	1
322	611000	Plane washer Ø8x17x1.6		NOT AVAILABLE	12
4	611010	Plane washer Ø6x14x1.5		NOT AVAILABLE	1
119	611100	Plane washer Ø10xØ30x2		NOT AVAILABLE	1
86	611150	Galvanized screw M6x14		NOT AVAILABLE	5
24	611150	Galvanized screw M6x14		NOT AVAILABLE	6
170	611190	Screw M8x20		NOT AVAILABLE	5
7	611190	Screw M8x20		NOT AVAILABLE	2
171	611310	Screw M8x40		NOT AVAILABLE	1
117	611340	Galvanized screw M10x35		NOT AVAILABLE	16
118	611360	Screw M10x16		NOT AVAILABLE	1
172	611370	Screw M10x30		NOT AVAILABLE	6
151	611380	Screw M10x70		NOT AVAILABLE	56
151	611380	Screw M10x70		NOT AVAILABLE	54
151	611380	Screw M10x70		NOT AVAILABLE	52
220	611530	Screw M14x55		NOT AVAILABLE	1
20	611650	Galvanized screw M16x110		NOT AVAILABLE	4
55	612160	Screw M10x25		NOT AVAILABLE	24
300	612200	Galvanized screw M10x25		NOT AVAILABLE	8
56	612490	Magnet		NOT AVAILABLE	2
253	620010	Steel rivet Ø2.9x6.5		NOT AVAILABLE	4
336	640020	Nut 1/4"SAE-6		NOT AVAILABLE	1
335	640050	Cooper cap 1/4"SAE		NOT AVAILABLE	1
334	640290	Charge/discharge shut-off valve 1/4"NPT		NOT AVAILABLE	1
87	691107	Rubber washer miniplast MP16-6		NOT AVAILABLE	5

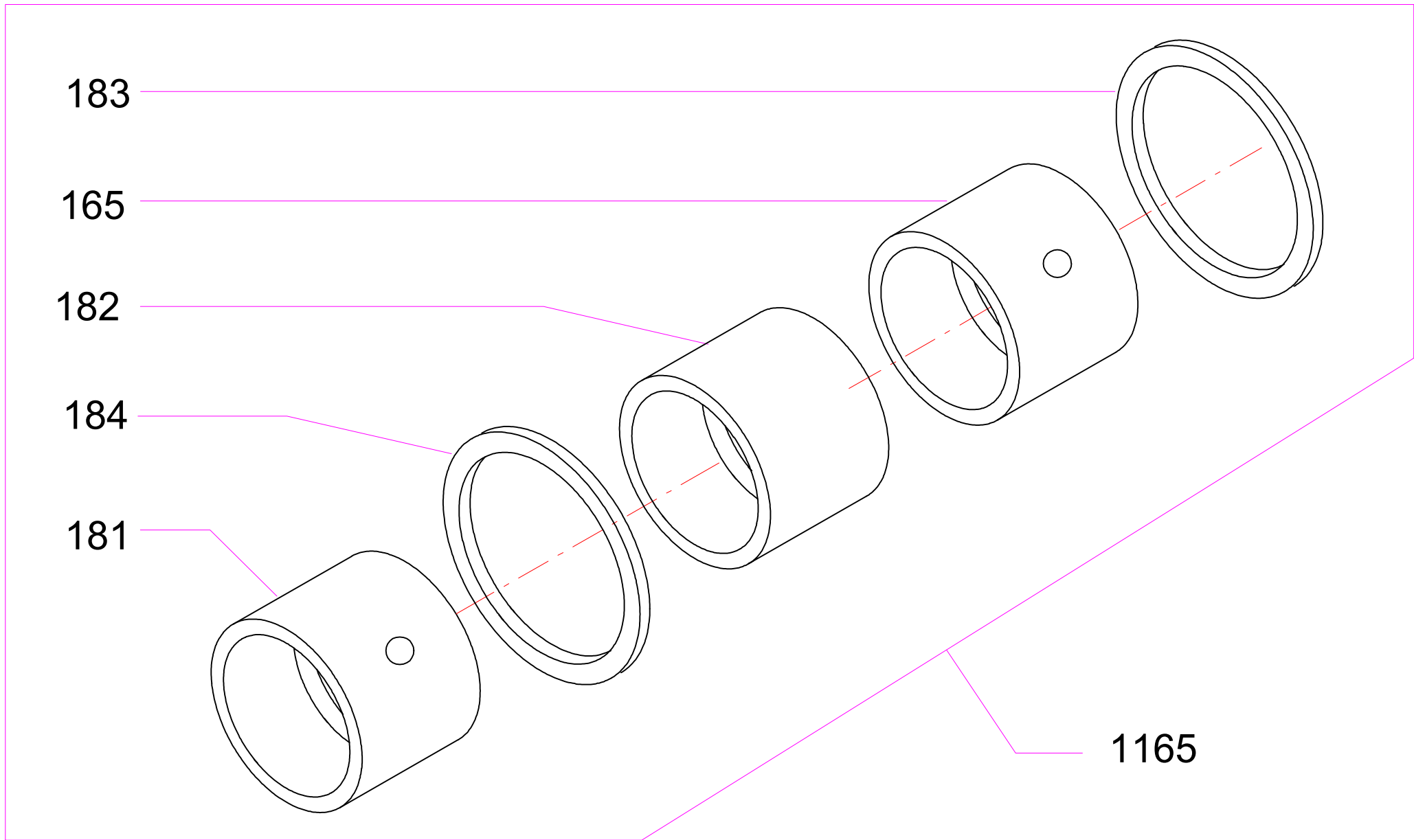


Crankshaft

ATTENZIONE: il presente disegno è di esclusiva proprietà REFCOMP.
E' fatto divieto di riproduzione e di divulgazione anche parziale secondo
quanto regolato dalle norme vigenti.

ATTENTION: the present drawing is exclusively ownership of REFCOMP.
Is forbidden to reproduce and to disclose, even if partialy, the present
document in conformity to law regulation in force.

Pos	Code	Description	Serial number	Note	Q.ty
1201	301000	Crankshaft kit Ø45x60 'L' series		NOT AVAILABLE	1
1201	301020	Crankshaft kit Ø45x65 'L' series		NOT AVAILABLE	1
196	510090	Magnetic plug 1/8"NPT		NOT AVAILABLE	2
201	530640	Crankshaft Ø45x60		NOT AVAILABLE	1
201	530740	Crankshaft Ø45x65		NOT AVAILABLE	1



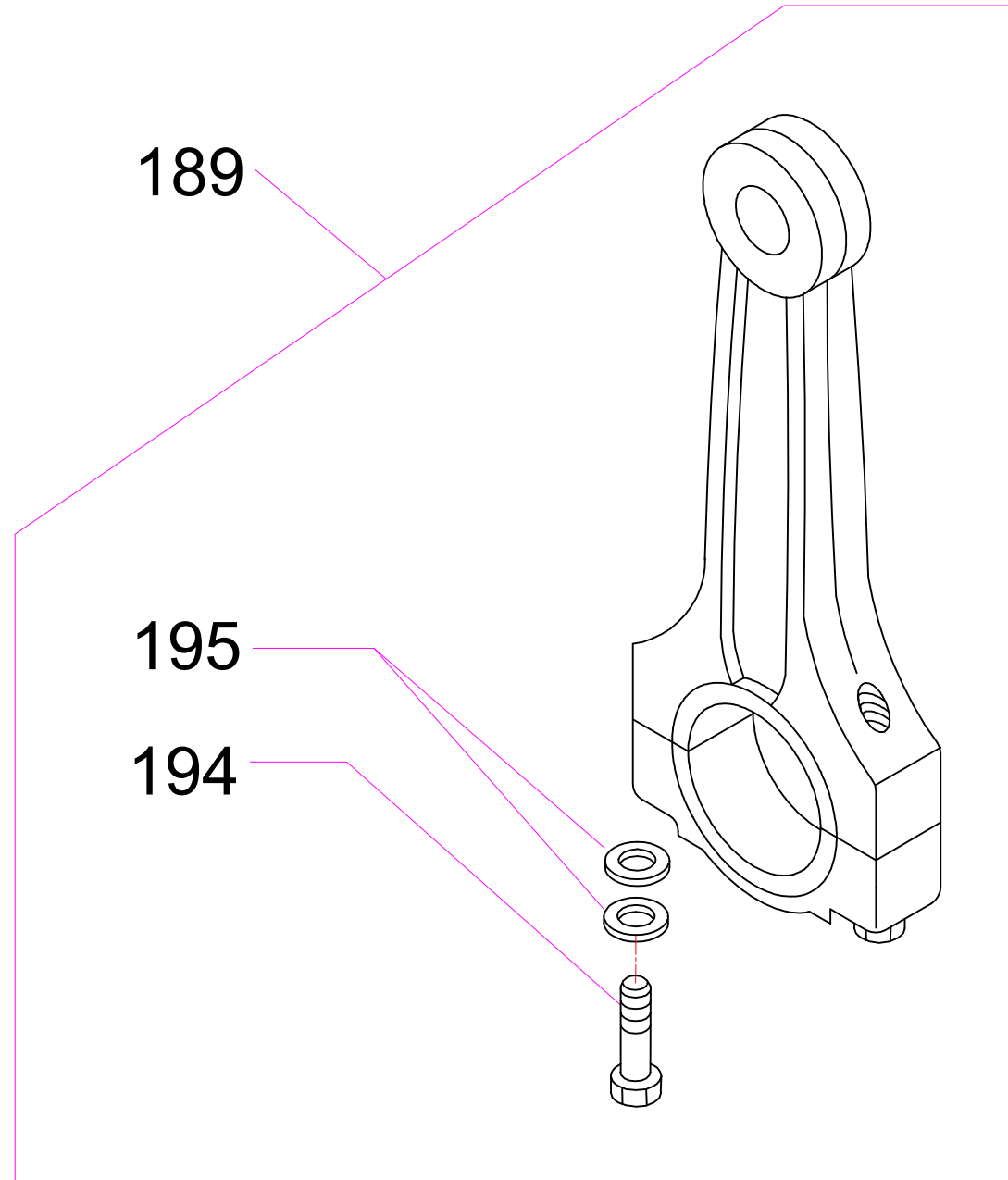
Brush - Thrust washer

ATTENZIONE: il presente disegno è di esclusiva proprietà REFCOMP. E' fatto divieto di riproduzione e di divulgazione anche parziale secondo quanto regolato dalle norme vigenti.

ATTENTION: the present drawing is exclusively ownership of REFCOMP. Is forbidden to reproduce and to disclose, even if partially, the present document in conformity to law regulation in force.

Pos	Code	Description	Serial number	Note	Q.ty
1165	301890	Bushing kit 4 cylinder crankshaft 'L' series		NOT AVAILABLE	1
1165	301891	Bushing kit 6 cylinder crankshaft 'L' series		NOT AVAILABLE	1
182	550220	Bushing Ø45xØ50x48		NOT AVAILABLE	1
181	550220	Bushing Ø45xØ50x48		NOT AVAILABLE	1
165	550220	Bushing Ø45xØ50x48		NOT AVAILABLE	1
182	550230	Increased bushing Ø45xØ51x48		NOT AVAILABLE	1
181	550230	Increased bushing Ø45xØ51x48		NOT AVAILABLE	1
165	550230	Increased bushing Ø45xØ51x48		NOT AVAILABLE	1
184	590710	Thrust washer for shaft Ø45		NOT AVAILABLE	1
183	590710	Thrust washer for shaft Ø45		NOT AVAILABLE	1

Brush - Thrust washer



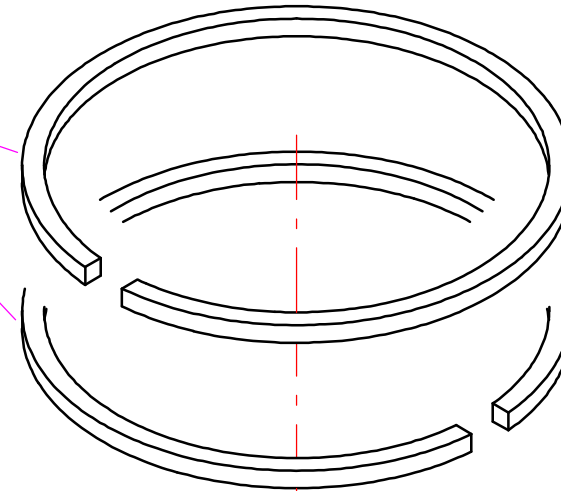
Connecting rod

ATTENZIONE: il presente disegno è di esclusiva proprietà REFCOMP.
E' fatto divieto di riproduzione e di divulgazione anche parziale secondo
quanto regolato dalle norme vigenti.

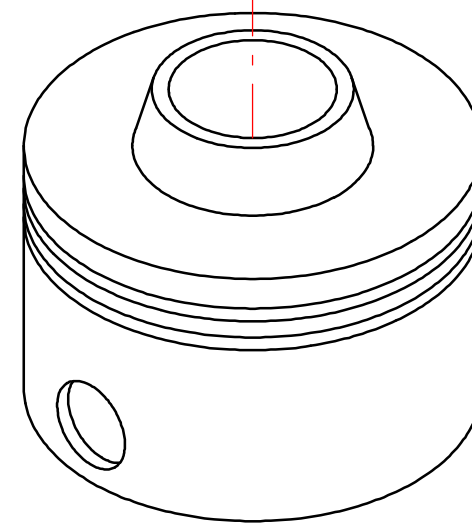
ATTENTION: the present drawing is exclusively ownership of REFCOMP.
Is forbidden to reproduce and to disclose, even if partially, the present
document in conformity to law regulation in force.

Pos	Code	Description	Serial number	Note	Q.ty
189	302820	Connecting rod kit Ø45x119 'L' series		NOT AVAILABLE	6
194	613430	Screw M8x45		NOT AVAILABLE	12
195	613440	Conical spring washer Ø8.2xØ16x0.9		NOT AVAILABLE	24

341



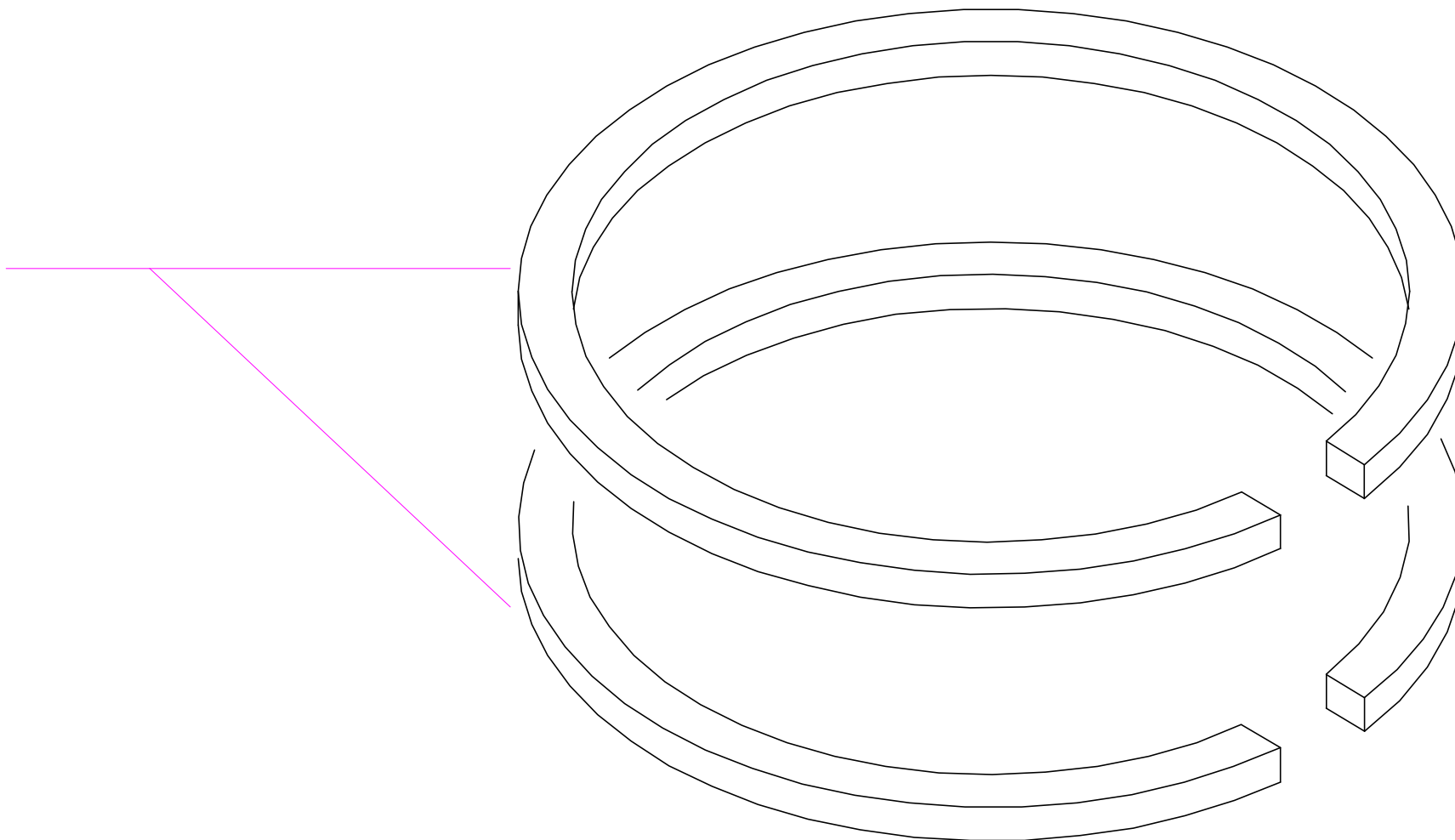
39



Piston

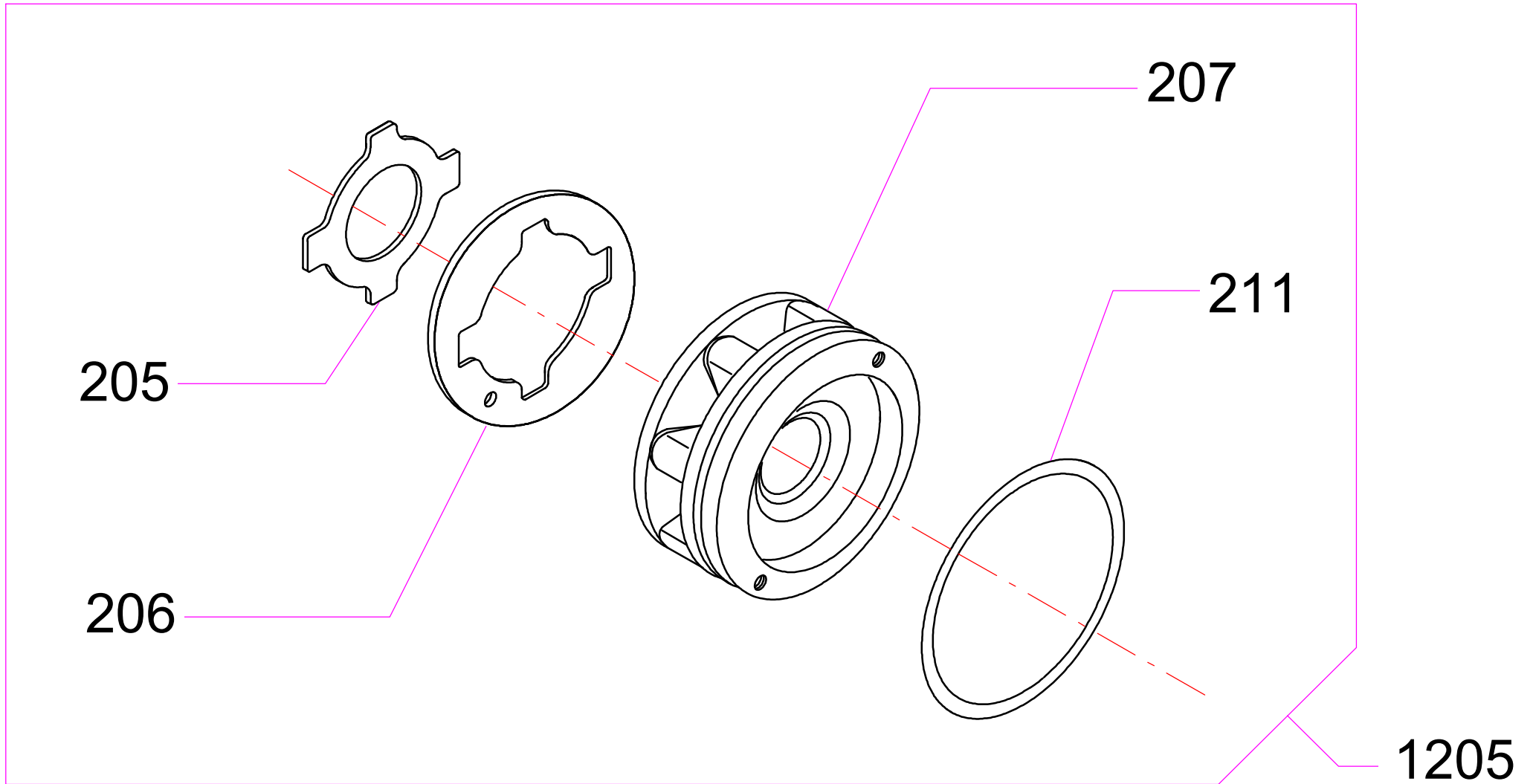
Pos	Code	Description	Serial number	Note	Q.ty
39	301920	Piston kit Ø70 'L' series		NOT AVAILABLE	6
39	302830	Piston kit Ø75		NOT AVAILABLE	6

341



Compression ring

Pos	Code	Description	Serial number	Note	Q.ty
341	301930	Connecting rod kit Ø70 'L' series		NOT AVAILABLE	6
341	302860	Connecting rod kit Ø75 'L' series		NOT AVAILABLE	6

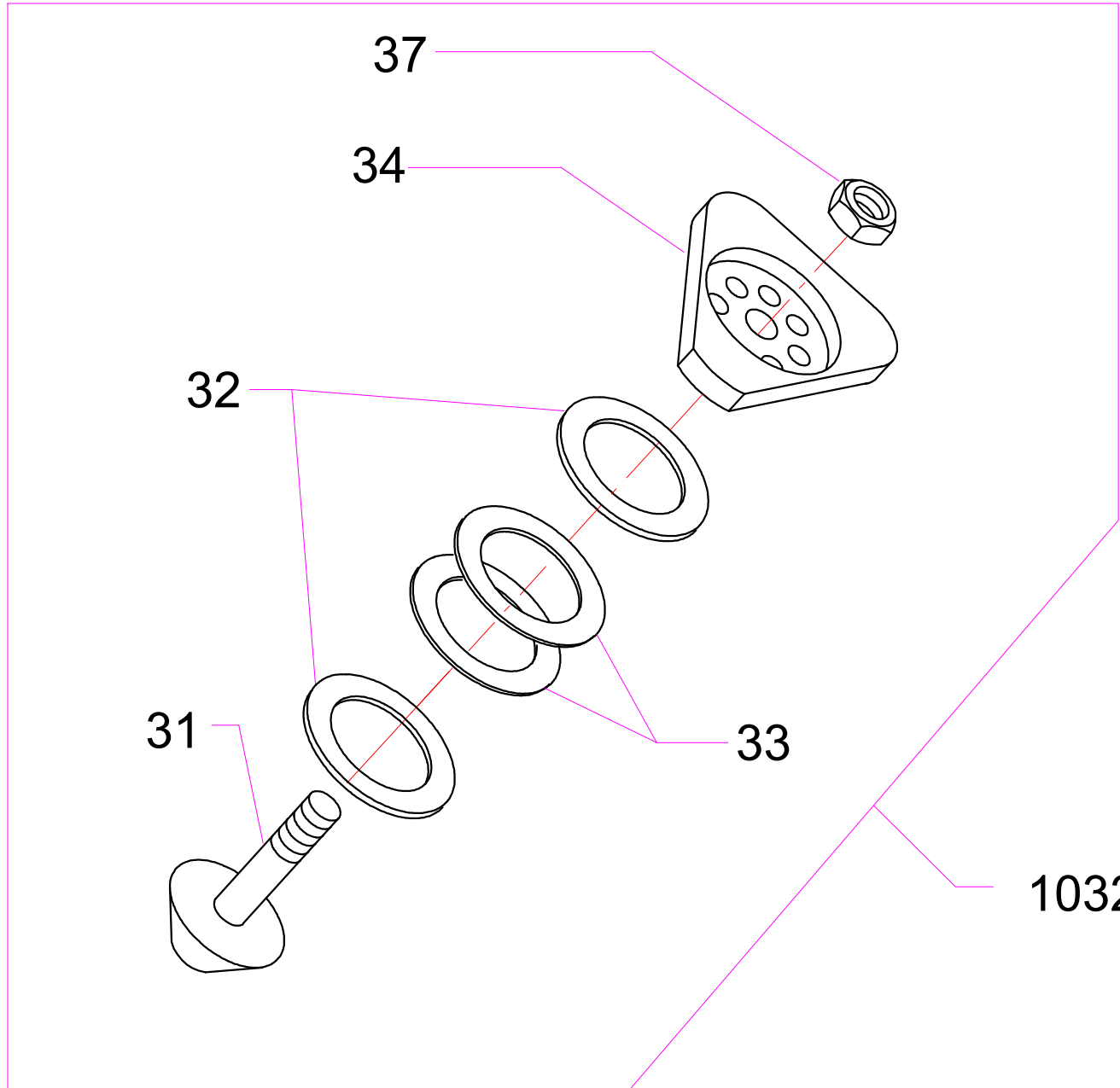


Suction valve plate

ATTENZIONE: il presente disegno è di esclusiva proprietà REFCOMP.
E' fatto divieto di riproduzione e di divulgazione anche parziale secondo
quanto regolato dalle norme vigenti.

ATTENTION: the present drawing is exclusively ownership of REFCOMP.
Is forbidden to reproduce and to disclose, even if partially, the present
document in conformity to law regulation in force.

Pos	Code	Description	Serial number	Note	Q.ty
1205	303102	Suction valve plate kit 'L' series		NOT AVAILABLE	6
205	511691	Suction valve ring 0.6mm 'L' series		NOT AVAILABLE	6
206	511692	Suction valve drive		NOT AVAILABLE	6
207	533490	Suction valve plate 'L' series		NOT AVAILABLE	6
211	590960	O-ring OR52095		NOT AVAILABLE	6



Discharge valve plate

ATTENZIONE: il presente disegno è di esclusiva proprietà REFCOMP. E' fatto divieto di riproduzione e di divulgazione anche parziale secondo quanto regolato dalle norme vigenti.

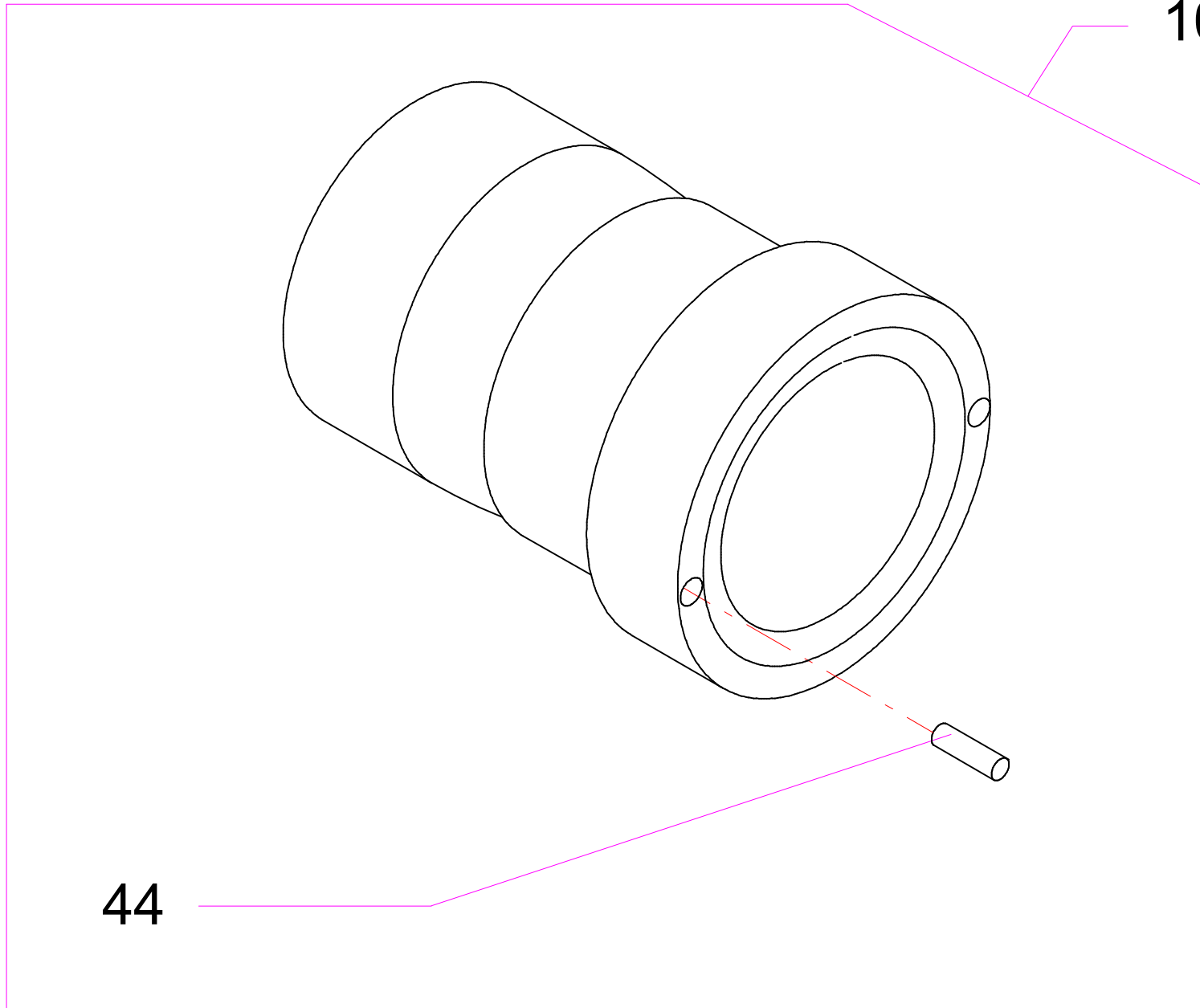
ATTENTION: the present drawing is exclusively ownership of REFCOMP. Is forbidden to reproduce and to disclose, even if partially, the present document in conformity to law regulation in force.

Pos	Code	Description	Serial number	Note	Q.ty
1032	300860	Discharge valve kit 'L' series		NOT AVAILABLE	6
31	511960	Plunger discharge valve		NOT AVAILABLE	6
32	512160	Discharge valve ring 0.8mm 'L' series		NOT AVAILABLE	12
33	513750	Discharge ellipsoidal spring 0.35mm		NOT AVAILABLE	12
34	531630	Discharge valve plate 'L' series		NOT AVAILABLE	6
37	612020	Self-locking nut M6		NOT AVAILABLE	6

Discharge valve plate

Model: SRC-L-105_120_130

1040



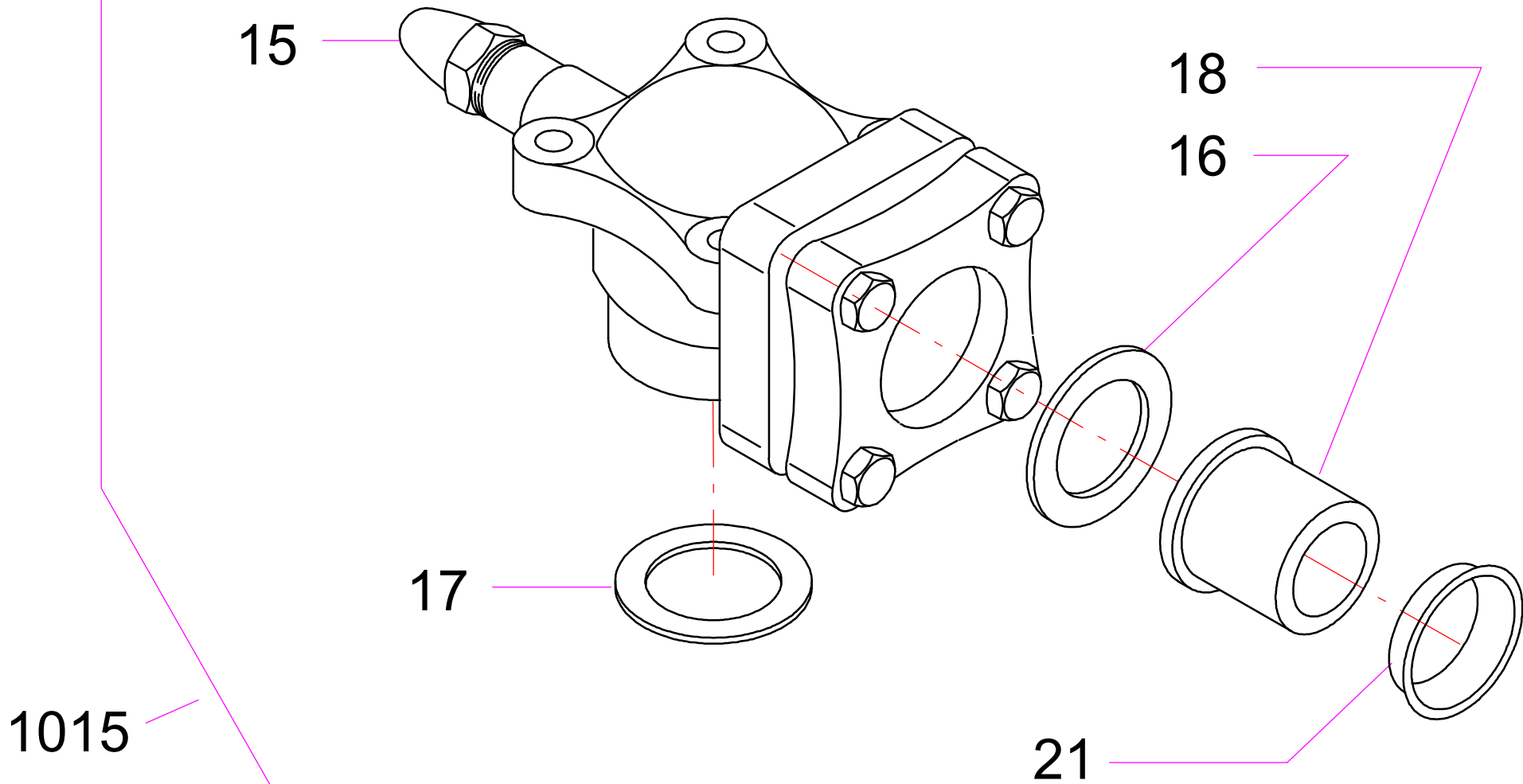
44

Cylinder

ATTENZIONE: il presente disegno è di esclusiva proprietà REFCOMP.
E' fatto divieto di riproduzione e di divulgazione anche parziale secondo
quanto regolato dalle norme vigenti.

ATTENTION: the present drawing is exclusively ownership of REFCOMP.
Is forbidden to reproduce and to disclose, even if partialy, the present
document in conformity to law regulation in force.

Pos	Code	Description	Serial number	Note	Q.ty
1040	303099	Cylinder kit Ø70.1 'L' series		NOT AVAILABLE	6
1040	303100	Cylinder kit Ø75.2 'L' series		NOT AVAILABLE	6
44	611921	Cylindrical pin Ø3x12		NOT AVAILABLE	12



Suction shut-off valve

ATTENZIONE: il presente disegno è di esclusiva proprietà REFCOMP. E' fatto divieto di riproduzione e di divulgazione anche parziale secondo quanto regolato dalle norme vigenti.

ATTENTION: the present drawing is exclusively ownership of REFCOMP. Is forbidden to reproduce and to disclose, even if partialy, the present document in conformity to law regulation in force.

Pos	Code	Description	Serial number	Note	Q.ty
1015	301630	Shut-off valve kit l=77.8 Ø54		NOT AVAILABLE	1
15	500190	Shut-off valve l=78		NOT AVAILABLE	1
18	513470	Bush Ø54		NOT AVAILABLE	1
21	690370	Plastic plug Ø55		NOT AVAILABLE	1

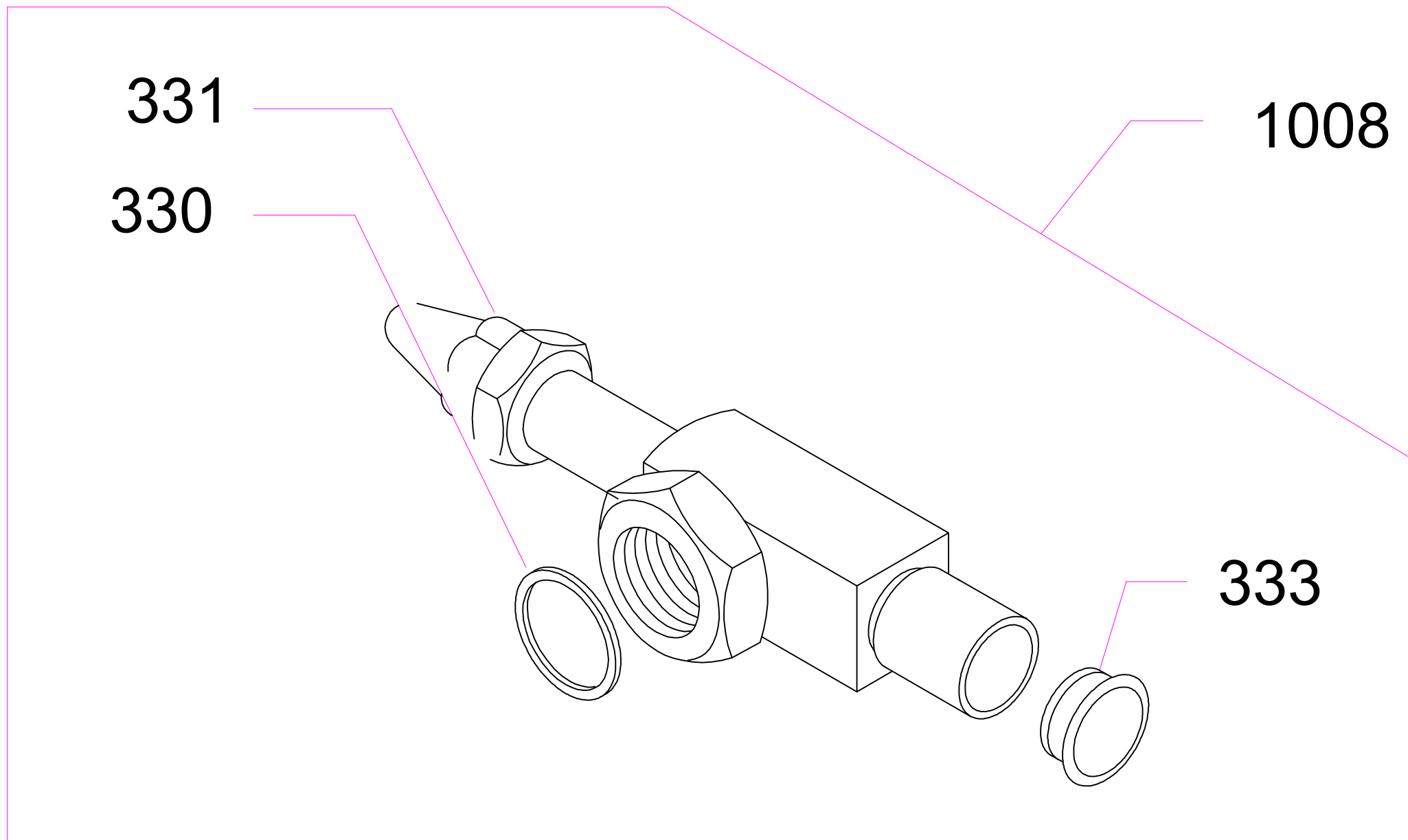
Suction shut-off valve

331

330

1008

333



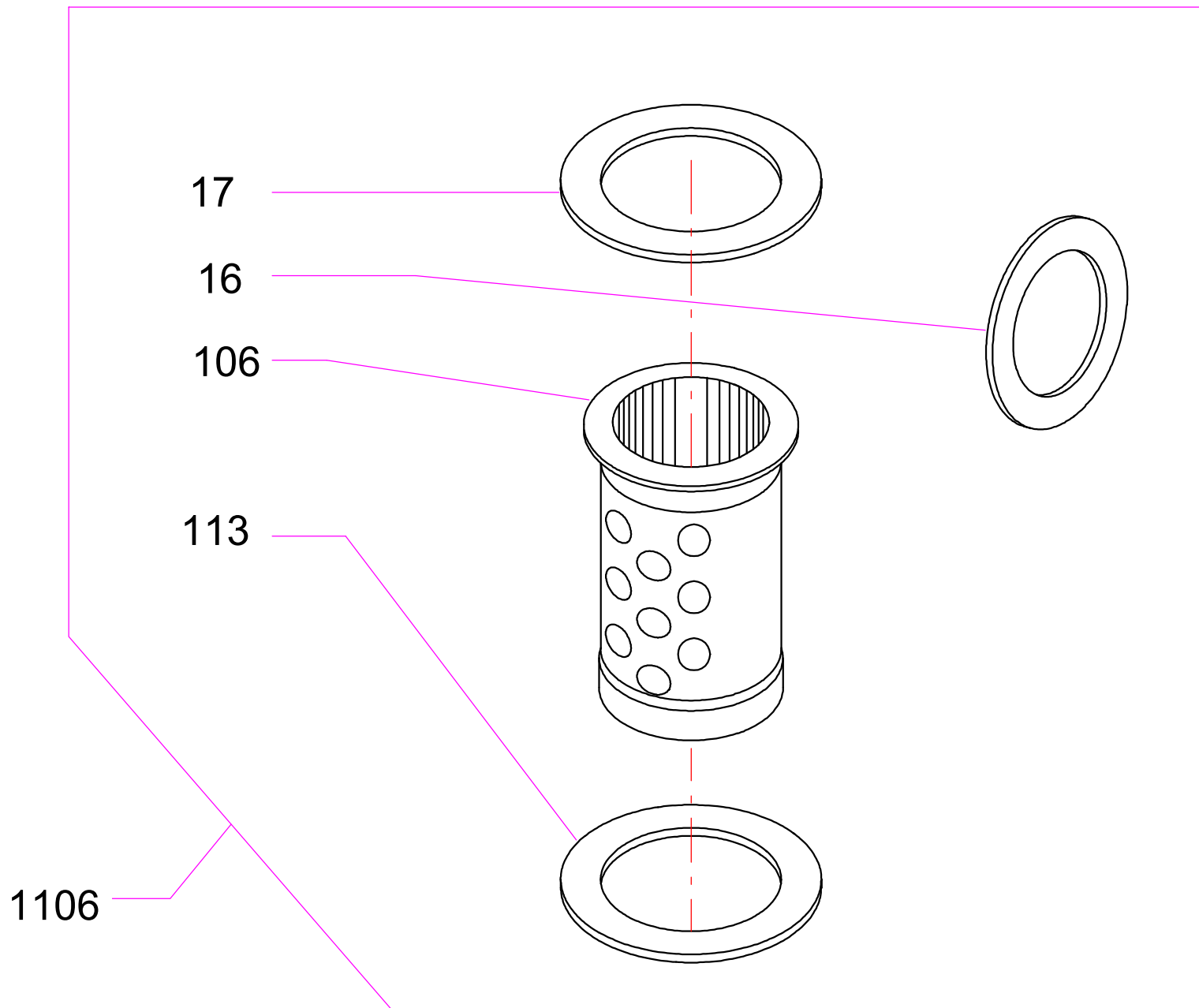
Discharge shut-off valve

ATTENZIONE: il presente disegno è di esclusiva proprietà REFCOMP. E' fatto divieto di riproduzione e di divulgazione anche parziale secondo quanto regolato dalle norme vigenti.

ATTENTION: the present drawing is exclusively ownership of REFCOMP. Is forbidden to reproduce and to disclose, even if partially, the present document in conformity to law regulation in force.

Pos	Code	Description	Serial number	Note	Q.ty
1008	301660	Rotaloc shut-off valve kit 1"3/4 Ø35		NOT AVAILABLE	1
1008	301670	Rotaloc shut-off valve kit 1"3/4 Ø42		NOT AVAILABLE	1
331	501010	Shut-off valve 1"3/4 Ø35		NOT AVAILABLE	1
331	501020	Shut-off valve 1"3/4 Ø42		NOT AVAILABLE	1
330	591020	Shut-off valve gasket Ø35xØ38.1x1.5		NOT AVAILABLE	1
333	690350	Plastic plug Ø36		NOT AVAILABLE	1
333	690360	Plastic plug Ø43		NOT AVAILABLE	1

Discharge shut-off valve



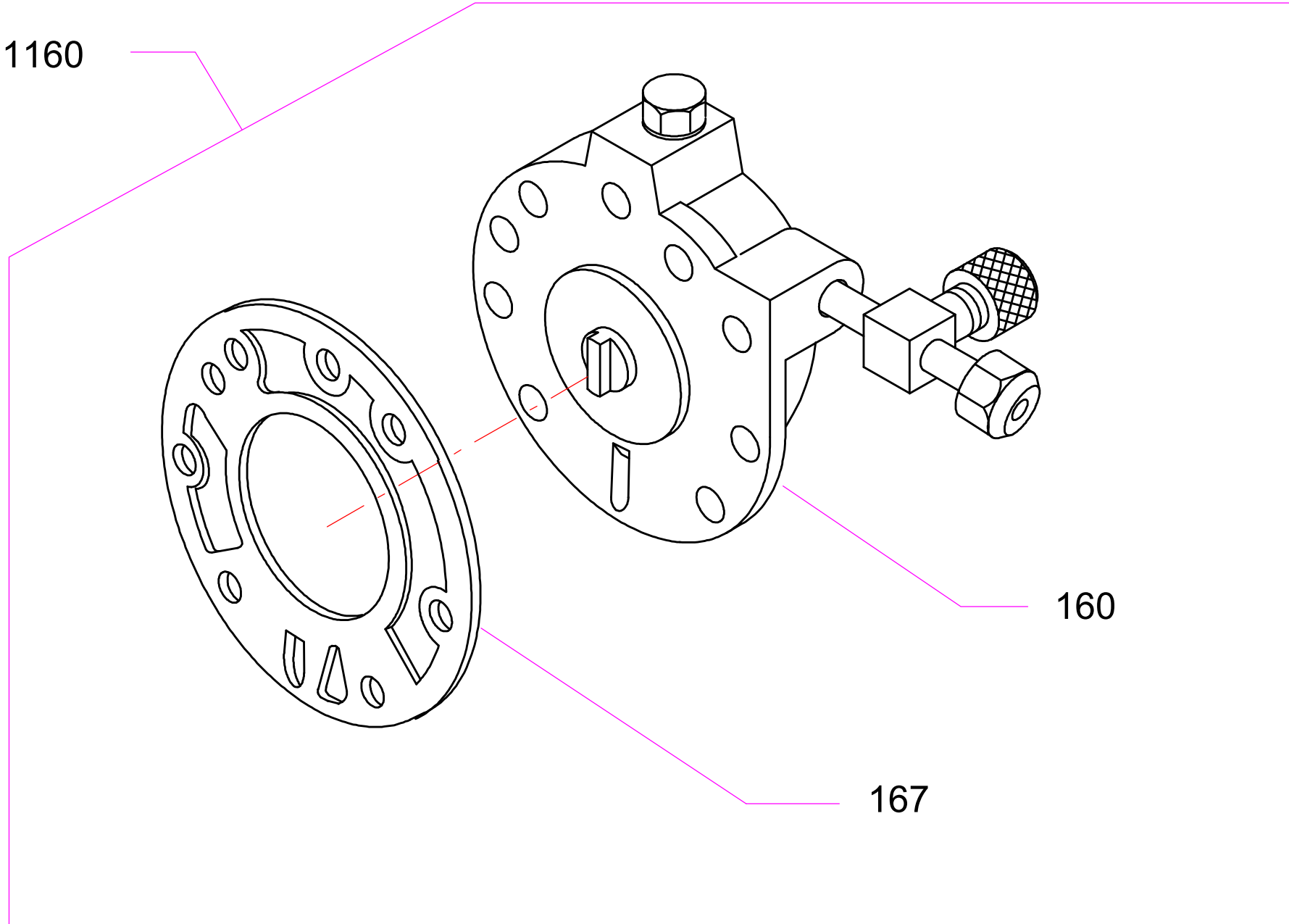
Suction strainer

ATTENZIONE: il presente disegno è di esclusiva proprietà REFCOMP. E' fatto divieto di riproduzione e di divulgazione anche parziale secondo quanto regolato dalle norme vigenti.

ATTENTION: the present drawing is exclusively ownership of REFCOMP. Is forbidden to reproduce and to disclose, even if partialy, the present document in conformity to law regulation in force.

Pos	Code	Description	Serial number	Note	Q.ty
1106	301950	Suction filter kit 'L' series		NOT AVAILABLE	1
106	501090	Suction filter		NOT AVAILABLE	1
17	590260	Shut-off valve gasket Ø65xØ82x1		NOT AVAILABLE	1
113	591080	Lower gasket suction filter		NOT AVAILABLE	1
16	591120	Shut-off valve gasket Ø59xØ72.5x1		NOT AVAILABLE	1

1160

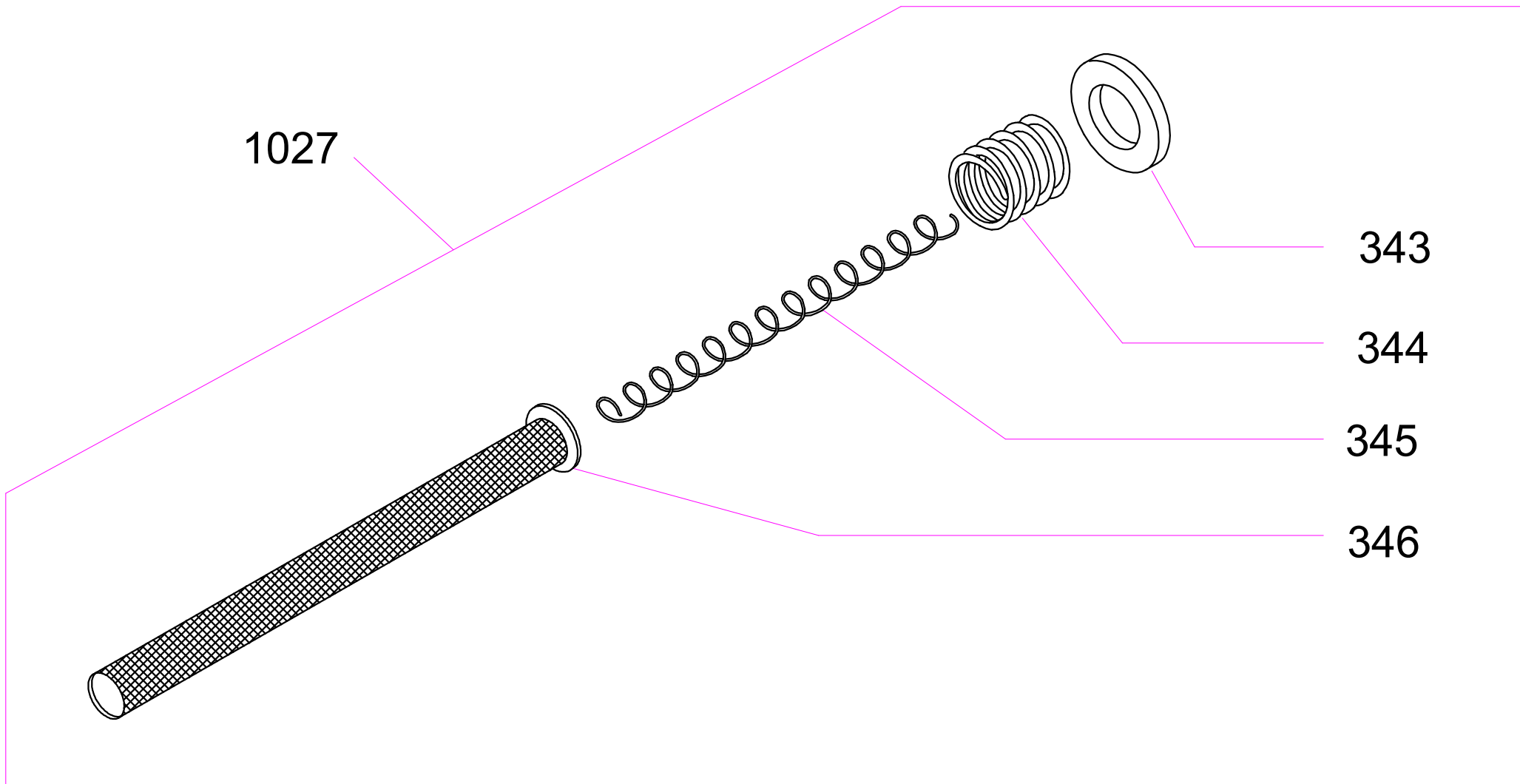


Oil pump

ATTENZIONE: il presente disegno è di esclusiva proprietà REFCOMP. E' fatto divieto di riproduzione e di divulgazione anche parziale secondo quanto regolato dalle norme vigenti.

ATTENTION: the present drawing is exclusively ownership of REFCOMP. Is forbidden to reproduce and to disclose, even if partially, the present document in conformity to law regulation in force.

Pos	Code	Description	Serial number	Note	Q.ty
1160	300840	Pump complete kit 'L' series		NOT AVAILABLE	1
160	500950	Oil pump 'L/P/SB' series		NOT AVAILABLE	1
167	590740	Oil pump gasket		NOT AVAILABLE	1



Oil strainer

ATTENZIONE: il presente disegno è di esclusiva proprietà REFCOMP.
E' fatto divieto di riproduzione e di divulgazione anche parziale secondo
quanto regolato dalle norme vigenti.

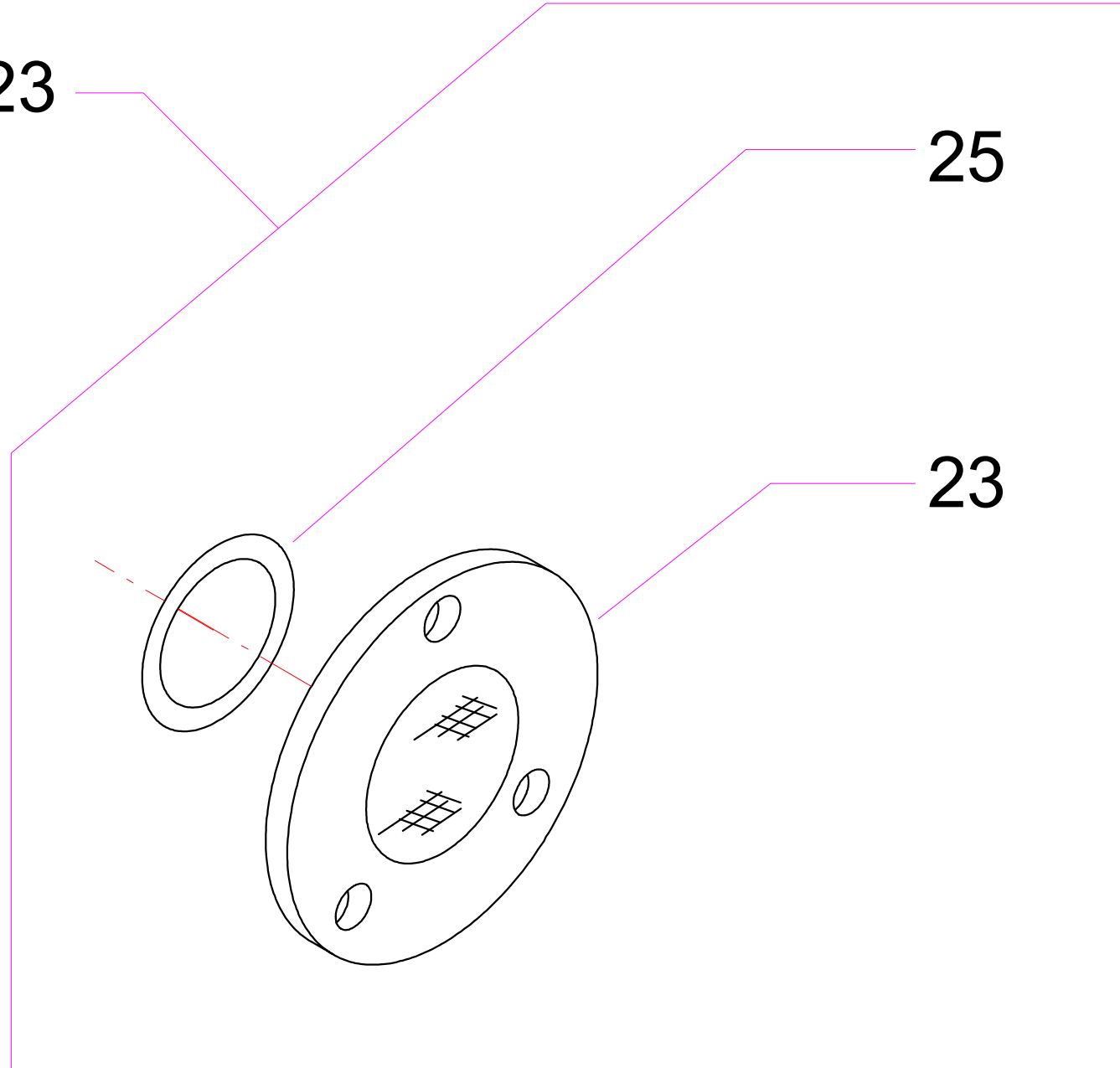
ATTENTION: the present drawing is exclusively ownership of REFCOMP.
Is forbidden to reproduce and to disclose, even if partialy, the present
document in conformity to law regulation in force.

Pos	Code	Description	Serial number	Note	Q.ty
1027	302210	6 cylinder oil filter kit 'L' series		NOT AVAILABLE	1
346	511140	Oil filter		NOT AVAILABLE	1
344	511460	Push spring filter oil		NOT AVAILABLE	1
345	511610	Internal spring suction oil filter		NOT AVAILABLE	1
343	620050	Alluminium plane washer Ø20xØ30x1.5		NOT AVAILABLE	1

1023

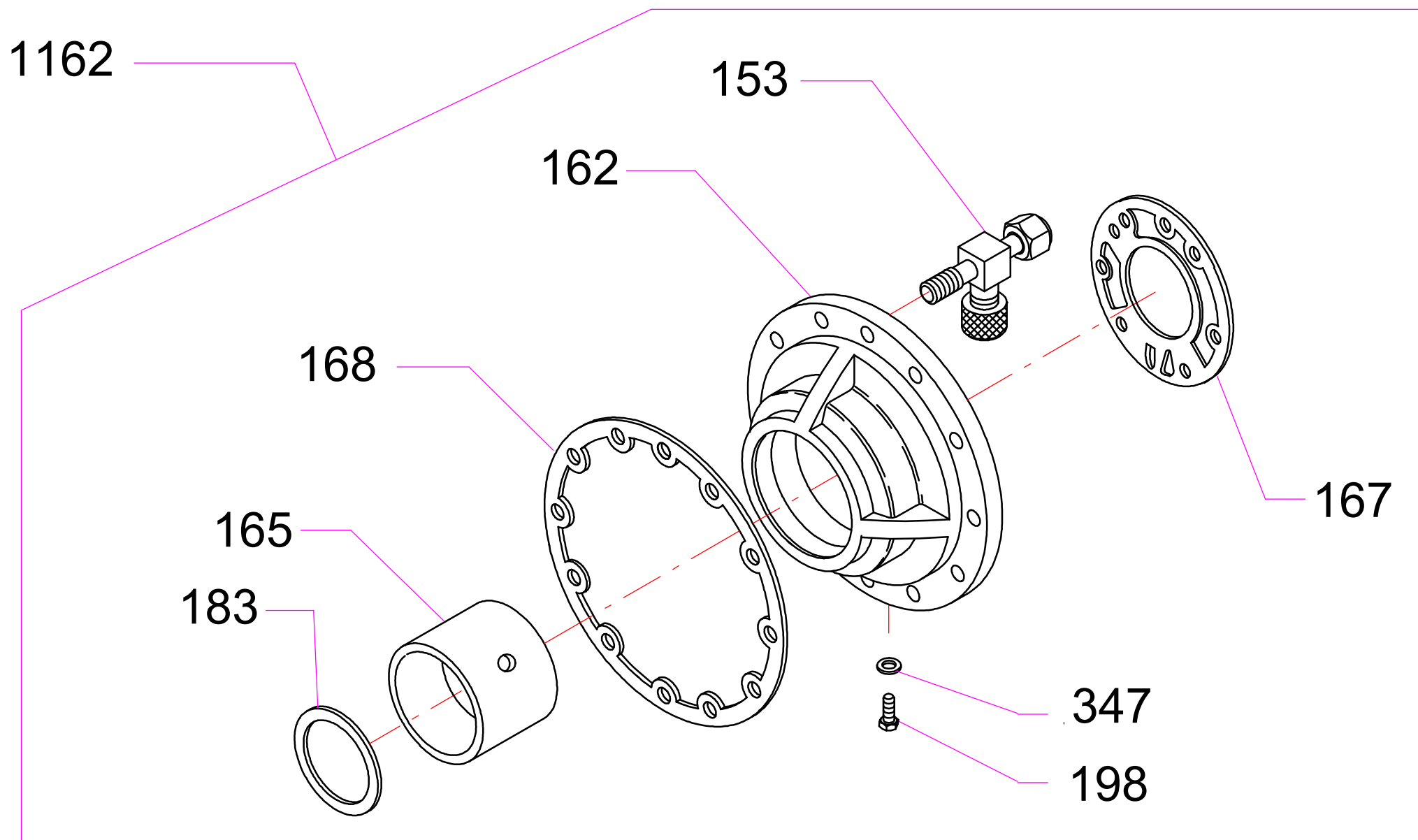
25

23



Sight glass cover

Pos	Code	Description	Serial number	Note	Q.ty
1023	300270	Sight glass cover kit 3 holes		NOT AVAILABLE	2
23	500270	Sight glass cover 3 holes		NOT AVAILABLE	2
25	690080	O-ring OR3131		NOT AVAILABLE	2

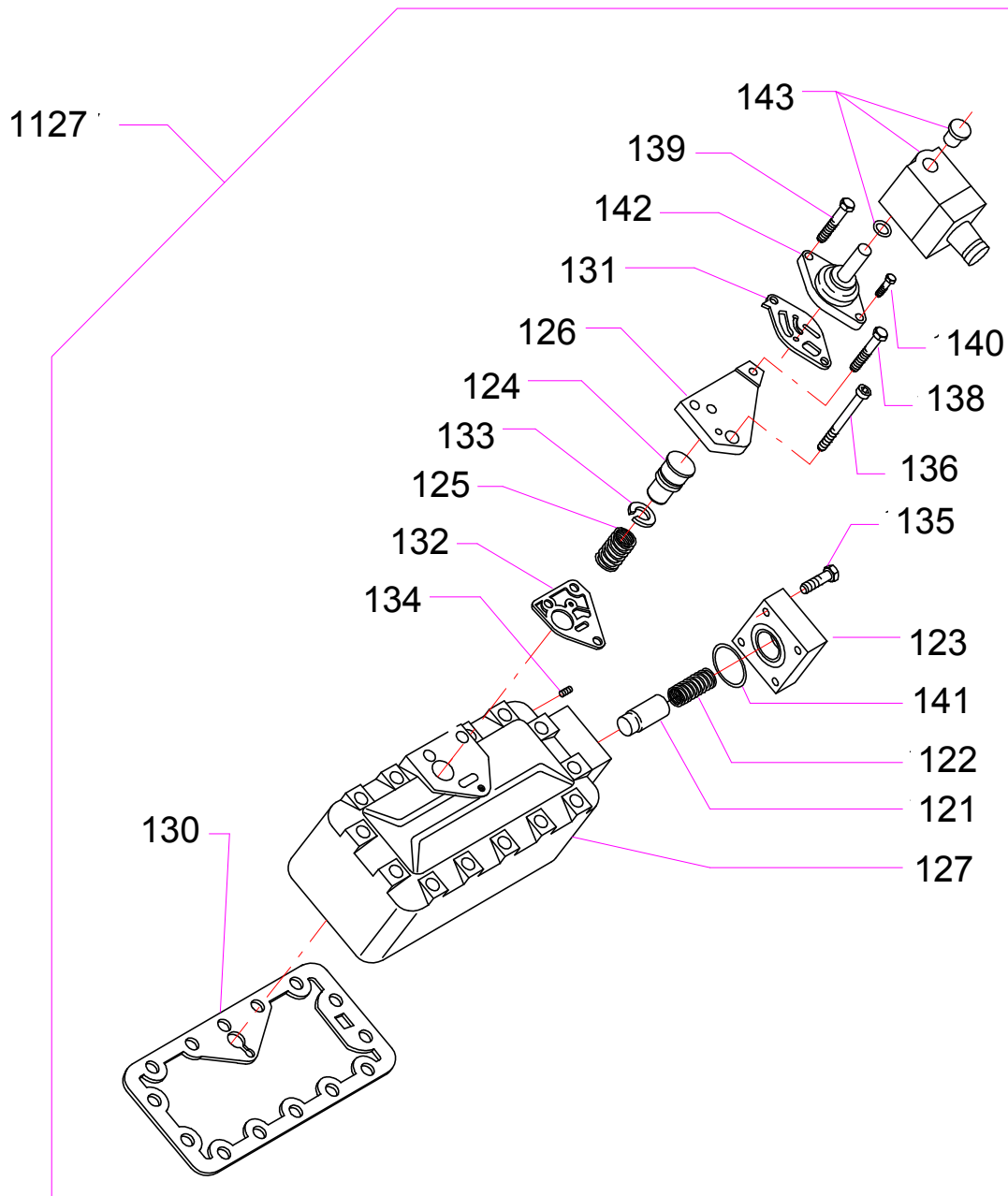


Oil pump support

ATTENZIONE: il presente disegno è di esclusiva proprietà REFCOMP. E' fatto divieto di riproduzione e di divulgazione anche parziale secondo quanto regolato dalle norme vigenti.

ATTENTION: the present drawing is exclusively ownership of REFCOMP. Is forbidden to reproduce and to disclose, even if partially, the present document in conformity to law regulation in force.

Pos	Code	Description	Serial number	Note	Q.ty
1162	300870	4/6 cylinder pump support kit 'L' series		NOT AVAILABLE	1
153	500260	Tee-piece union 1/8"NPT-1/4"-1/4"SAE		NOT AVAILABLE	1
162	530680	Oil pump support 'L' series		NOT AVAILABLE	1
168	590730	Oil pump support gasket		NOT AVAILABLE	1
198	614150	Screw M8x10		NOT AVAILABLE	1
347	620100	Alluminium plane washer Ø8xØ14x1.5		NOT AVAILABLE	1



Capacity control cylinderhead

ATTENZIONE: il presente disegno è di esclusiva proprietà REFCOMP. E' fatto divieto di riproduzione e di divulgazione anche parziale secondo quanto regolato dalle norme vigenti.

ATTENTION: the present drawing is exclusively ownership of REFCOMP. Is forbidden to reproduce and to disclose, even if partially, the present document in conformity to law regulation in force.

Pos	Code	Description	Serial number	Note	Q.ty
1127	300530	Capacity control cylinderhead kit 230V 'L' series		NOT AVAILABLE	2
1127	300530	Capacity control cylinderhead kit 230V 'L' series		NOT AVAILABLE	1
1127	300570	Capacity control cylinderhead kit 110V 'L' series		NOT AVAILABLE	1
1127	300570	Capacity control cylinderhead kit 110V 'L' series		NOT AVAILABLE	2
1127	301580	Capacity control cylinderhead kit 24V 'L' series		NOT AVAILABLE	1
1127	301580	Capacity control cylinderhead kit 24V 'L' series		NOT AVAILABLE	2
121	511540	High pression spring		NOT AVAILABLE	2
121	511540	High pression spring		NOT AVAILABLE	1
122	511550	High pressure piston spring		NOT AVAILABLE	1
122	511550	High pressure piston spring		NOT AVAILABLE	2
123	511560	High pression piston support		NOT AVAILABLE	2
123	511560	High pression piston support		NOT AVAILABLE	1
124	511570	2 steps piston		NOT AVAILABLE	1
124	511570	2 steps piston		NOT AVAILABLE	2
125	511580	Unloader piston spring		NOT AVAILABLE	1
125	511580	Unloader piston spring		NOT AVAILABLE	2
126	515970	Solenoid valve plate		NOT AVAILABLE	1
126	515970	Solenoid valve plate		NOT AVAILABLE	2
127	530650	Capacity control cylinderhead 'L' series		NOT AVAILABLE	1
127	530650	Capacity control cylinderhead 'L' series		NOT AVAILABLE	2
130	590830	2 steps cylinderhead gasket 'L' series		NOT AVAILABLE	1
130	590830	2 steps cylinderhead gasket 'L' series		NOT AVAILABLE	2
132	590860	Capacity control plate gasket 'L' series		NOT AVAILABLE	1
132	590860	Capacity control plate gasket 'L' series		NOT AVAILABLE	2
133	590870	Seal ring unloader piston		NOT AVAILABLE	1
133	590870	Seal ring unloader piston		NOT AVAILABLE	2
134	610680	Plug 1/8"NPT		NOT AVAILABLE	1
134	610680	Plug 1/8"NPT		NOT AVAILABLE	2
135	611200	Screw M8x30		NOT AVAILABLE	8
135	611200	Screw M8x30		NOT AVAILABLE	4
136	611290	Screw M8x80		NOT AVAILABLE	1
136	611290	Screw M8x80		NOT AVAILABLE	2
138	611390	Screw M10x100		NOT AVAILABLE	1
138	611390	Screw M10x100		NOT AVAILABLE	2
139	611400	Screw M10x110		NOT AVAILABLE	2
139	611400	Screw M10x110		NOT AVAILABLE	1
140	612210	Screw M10x45		NOT AVAILABLE	1
140	612210	Screw M10x45		NOT AVAILABLE	2
141	690040	O-ring OR4093		NOT AVAILABLE	1
141	690040	O-ring OR4093		NOT AVAILABLE	2

Capacity control cylinderhead

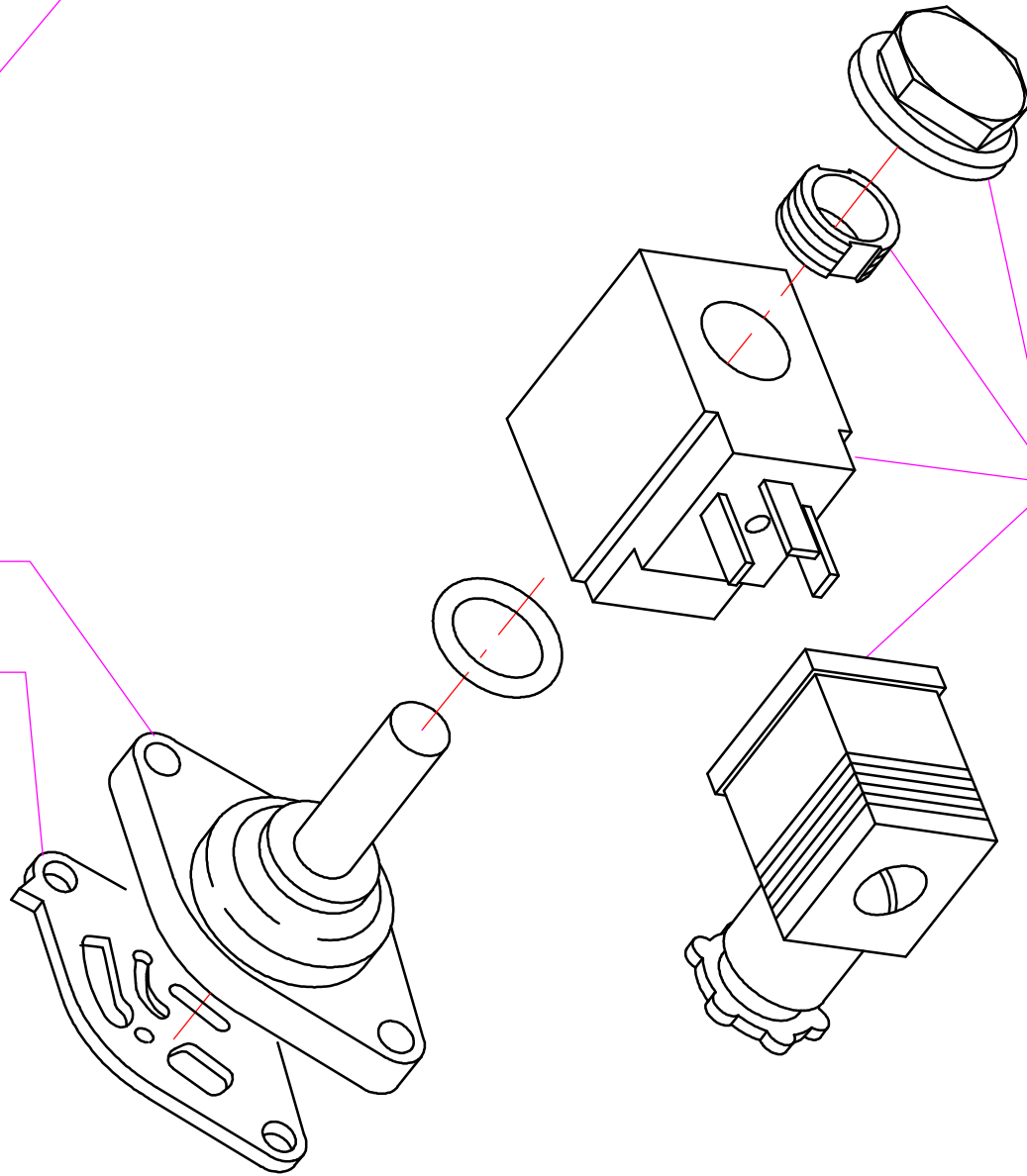
www.refcomp.it
spareparts@refcomp.it

1142

142

131

143

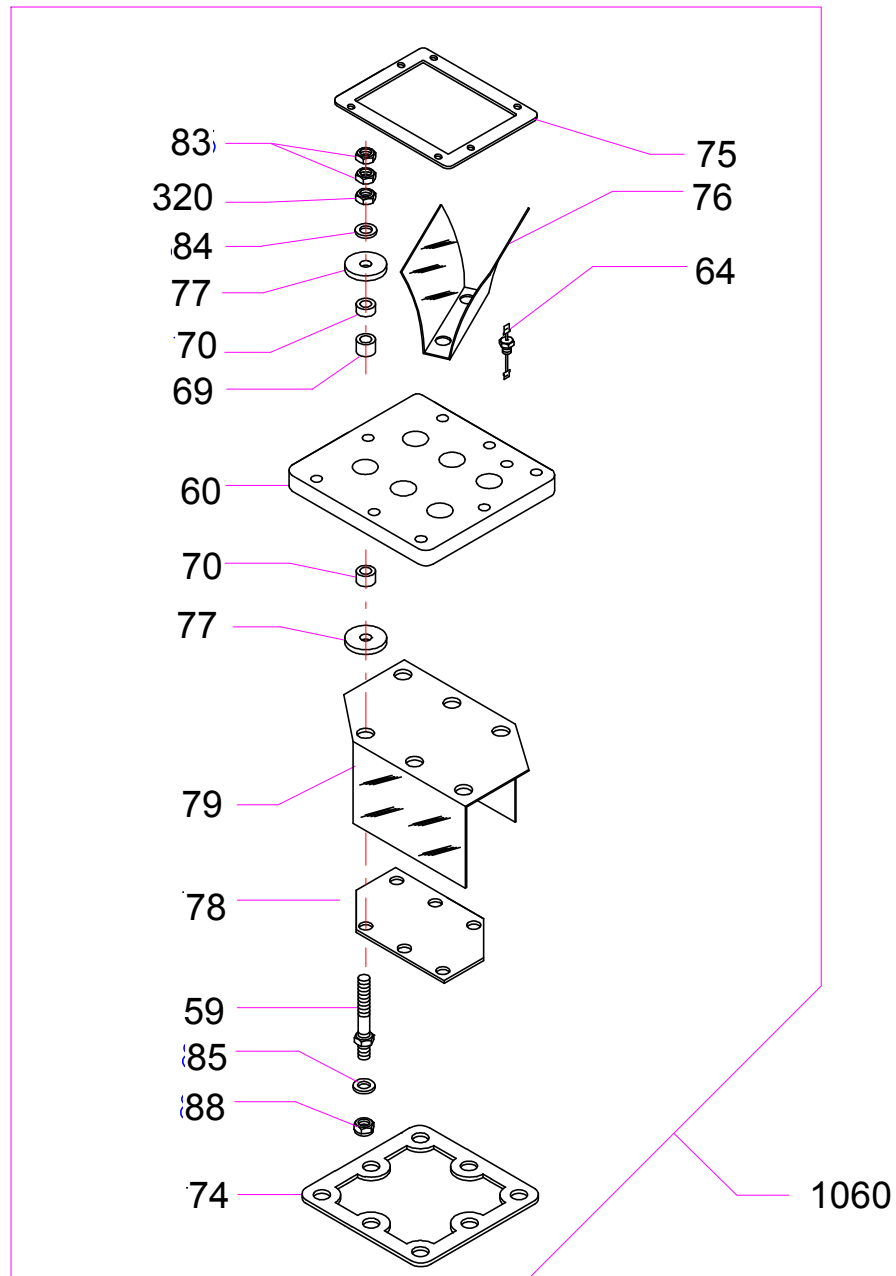


Capacity control solenoid valve

ATTENZIONE: il presente disegno è di esclusiva proprietà REFCOMP.
E' fatto divieto di riproduzione e di divulgazione anche parziale secondo
quanto regolato dalle norme vigenti.

ATTENTION: the present drawing is exclusively ownership of REFCOMP.
Is forbidden to reproduce and to disclose, even if partially, the present
document in conformity to law regulation in force.

Pos	Code	Description	Serial number	Note	Q.ty
1142	301380	Solenoid valve kit 230V 'L' series		NOT AVAILABLE	2
1142	301380	Solenoid valve kit 230V 'L' series		NOT AVAILABLE	1
1142	303279	Solenoid valve kit 24V 'L' series		NOT AVAILABLE	1
1142	303279	Solenoid valve kit 24V 'L' series		NOT AVAILABLE	2
1142	303280	Solenoid valve kit 110V 'L' series		NOT AVAILABLE	1
1142	303280	Solenoid valve kit 110V 'L' series		NOT AVAILABLE	2
131	590840	Solenoid valve gasket l=65		NOT AVAILABLE	1
131	590840	Solenoid valve gasket l=65		NOT AVAILABLE	2
142	760200	Solenoid valve		NOT AVAILABLE	1
142	760200	Solenoid valve		NOT AVAILABLE	2
143	760210	Coil 230V AC 50/60Hz		NOT AVAILABLE	1
143	760210	Coil 230V AC 50/60Hz		NOT AVAILABLE	2
143	760220	Coil 110V 50/60Hz		NOT AVAILABLE	2
143	760220	Coil 110V 50/60Hz		NOT AVAILABLE	1
143	760240	Coil 24V AC 50/60Hz		NOT AVAILABLE	1
143	760240	Coil 24V AC 50/60Hz		NOT AVAILABLE	2

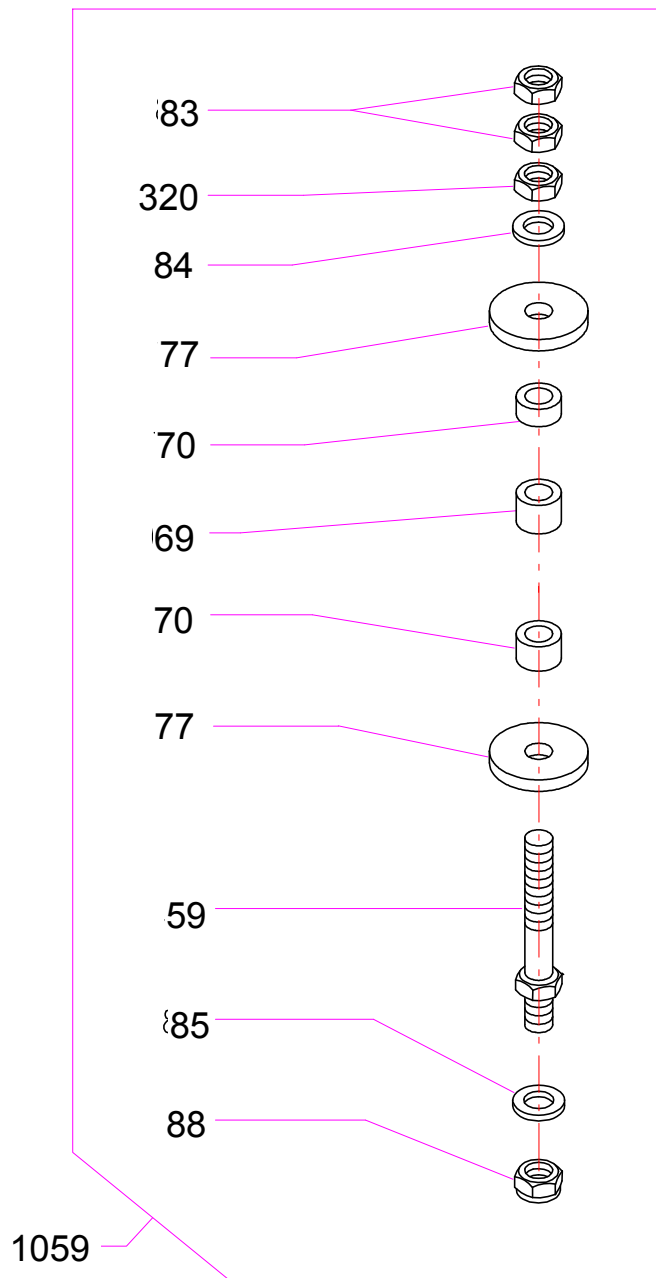


Terminal plate

ATTENZIONE: il presente disegno è di esclusiva proprietà REFCOMP.
E' fatto divieto di riproduzione e di divulgazione anche parziale secondo
quanto regolato dalle norme vigenti.

ATTENTION: the present drawing is exclusively ownership of REFCOMP.
Is forbidden to reproduce and to disclose, even if partially, the present
document in conformity to law regulation in force.

Pos	Code	Description	Serial number	Note	Q.ty
1060	300830	Terminal plate kit 'L' series		NOT AVAILABLE	1
60	512060	Terminal plate 'L' series		NOT AVAILABLE	1
64	580080	Protector device clamp 1/8"NPT		NOT AVAILABLE	2
74	590890	Terminal plate gasket		NOT AVAILABLE	1
76	590950	Sparks insulation		NOT AVAILABLE	1
78	591070	Insulation washer plug 'L' series		NOT AVAILABLE	1
79	591630	Motor wire insulation		NOT AVAILABLE	1

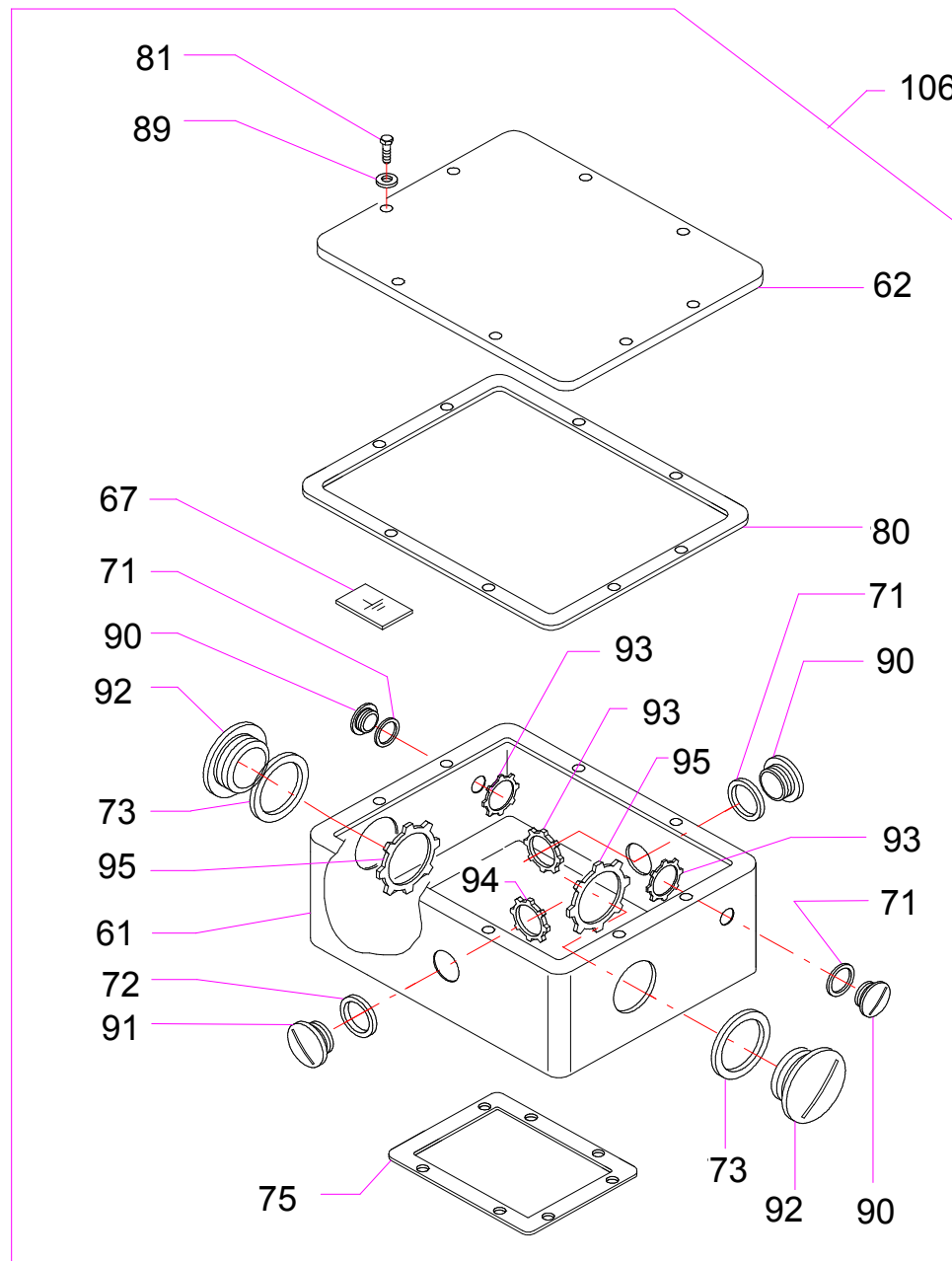


Terminal

ATTENZIONE: il presente disegno è di esclusiva proprietà REFCOMP. E' fatto divieto di riproduzione e di divulgazione anche parziale secondo quanto regolato dalle norme vigenti.

ATTENTION: the present drawing is exclusively ownership of REFCOMP. Is forbidden to reproduce and to disclose, even if partialy, the present document in conformity to law regulation in force.

Pos	Code	Description	Serial number	Note	Q.ty
1059	301310	Spark kit with rubber 'L' series		NOT AVAILABLE	6
59	512050	Spark pin		NOT AVAILABLE	6
69	590010	Terminal stopper bush		NOT AVAILABLE	6
70	590180	Insulation ring		NOT AVAILABLE	12
77	591060	Insulation washer spark		NOT AVAILABLE	12
83	610860	Galvanized nut M8		NOT AVAILABLE	12
84	611000	Plane washer Ø8x17x1.6		NOT AVAILABLE	6
85	611010	Plane washer Ø6x14x1.5		NOT AVAILABLE	6
88	612950	Klock nut M6		NOT AVAILABLE	6
320	613970	Galvanized nut M8		NOT AVAILABLE	6

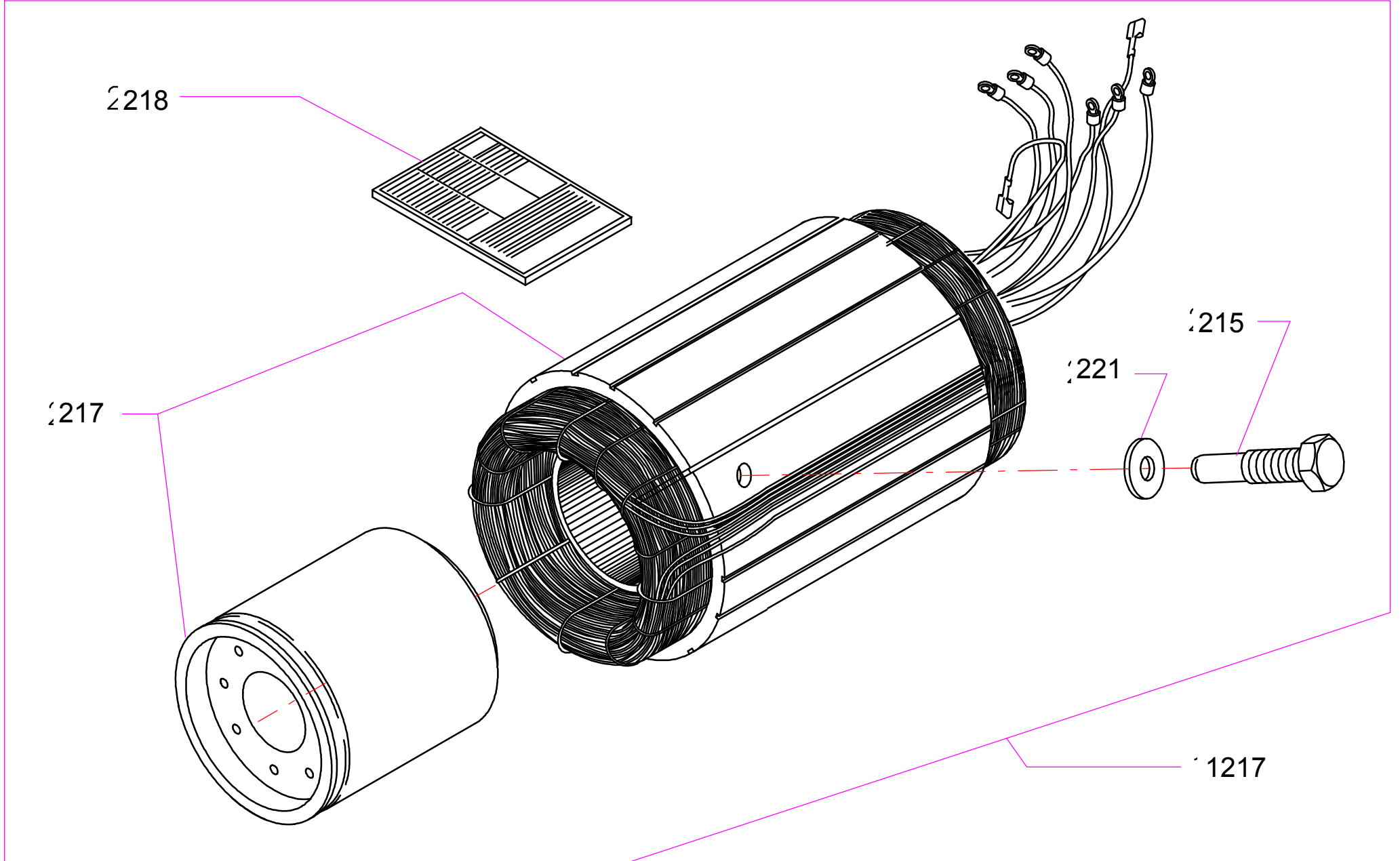


Terminal box

ATTENZIONE: il presente disegno è di esclusiva proprietà REFCOMP. E' fatto divieto di riproduzione e di divulgazione anche parziale secondo quanto regolato dalle norme vigenti.

ATTENTION: the present drawing is exclusively ownership of REFCOMP. Is forbidden to reproduce and to disclose, even if partialy, the present document in conformity to law regulation in force.

Pos	Code	Description	Serial number	Note	Q.ty
1061	302030	Extended electric box kit 'L' series		NOT AVAILABLE	1
61	514830	Extended electric box 'L' series		NOT AVAILABLE	1
62	514840	Extended electric box cover		NOT AVAILABLE	1
67	585220	Ground label		NOT AVAILABLE	1
71	590210	Rubber washer gasket PG 13.5		NOT AVAILABLE	3
72	590220	Rubber washer gasket PG 16		NOT AVAILABLE	1
73	590230	Rubber washer gasket PG 29		NOT AVAILABLE	2
75	590900	Terminal box gasket		NOT AVAILABLE	1
80	591900	Extended electric box cover gasket		NOT AVAILABLE	1
81	610550	Galvanized screw M5x12		NOT AVAILABLE	6
90	690270	Plastic plug PG 13.5		NOT AVAILABLE	3
91	690280	Plastic plug PG 16		NOT AVAILABLE	1
92	690290	Plastic plug PG 29		NOT AVAILABLE	2
93	690310	Plastic nut PG 13.5		NOT AVAILABLE	3
94	690320	Plastic nut PG 16		NOT AVAILABLE	1
95	690330	Plastic nut PG 29		NOT AVAILABLE	2
89	691108	Rubber washer miniplast MP16-5		NOT AVAILABLE	6



Electric motor

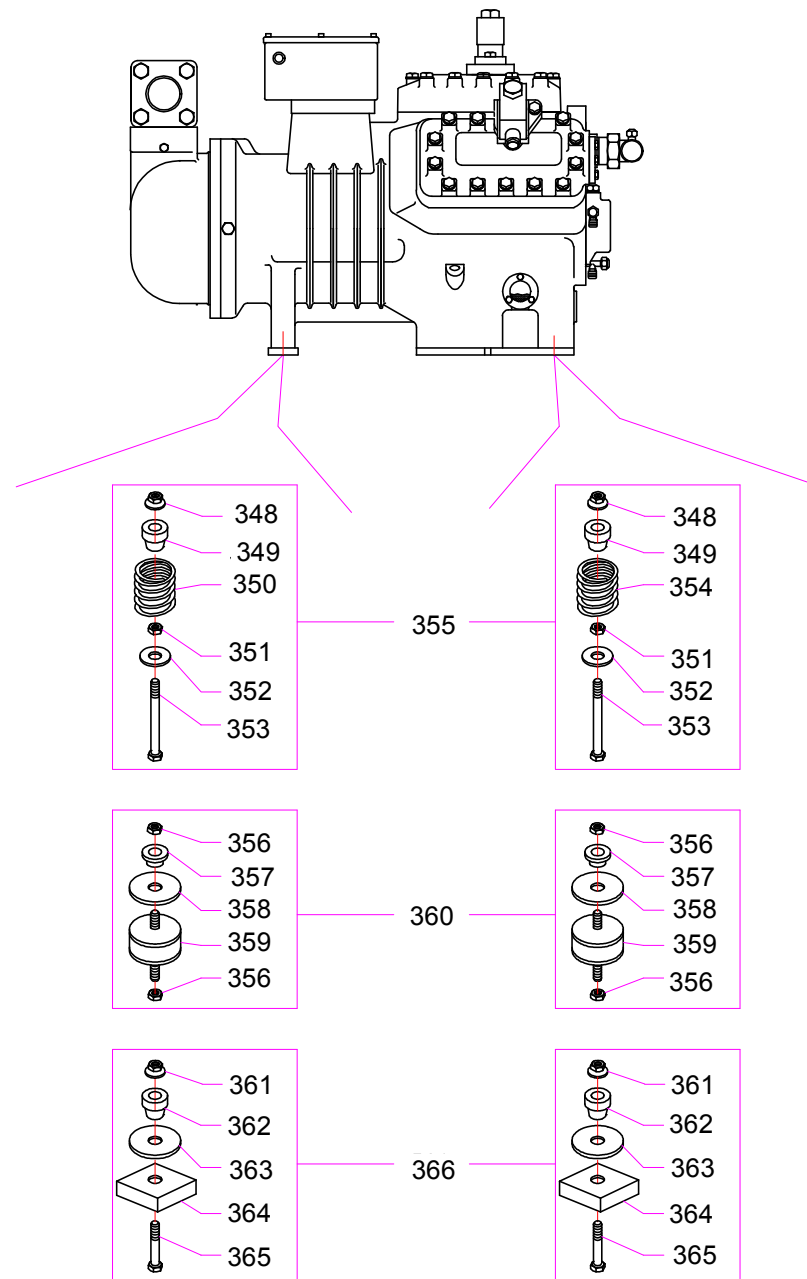
ATTENZIONE: il presente disegno è di esclusiva proprietà REFCOMP. E' fatto divieto di riproduzione e di divulgazione anche parziale secondo quanto regolato dalle norme vigenti.

ATTENTION: the present drawing is exclusively ownership of REFCOMP. Is forbidden to reproduce and to disclose, even if partially, the present document in conformity to law regulation in force.

Pos	Code	Description	Serial number	Note	Q.ty
1217	303293	Electric motor kit 230V/3/60Hz PW		NOT AVAILABLE	1
1217	303294	Electric motor kit 380V/3/60Hz PW		NOT AVAILABLE	1
1217	303295	Electric motor kit 400V/3/50Hz PW		NOT AVAILABLE	1
1217	303296	Electric motor kit 400V/3/50Hz Y/D		NOT AVAILABLE	1
1217	303297	Electric motor kit 230V/3/60Hz PW		NOT AVAILABLE	1
1217	303298	Electric motor kit 380V/3/60Hz PW		NOT AVAILABLE	1
1217	303299	Electric motor kit 400V/3/50Hz PW		NOT AVAILABLE	1
1217	303300	Electric motor kit 400V/3/50Hz Y/D		NOT AVAILABLE	1
1217	303301	Electric motor kit 230V/3/60Hz PW		NOT AVAILABLE	1
1217	303302	Electric motor kit 380V/3/60Hz PW		NOT AVAILABLE	1
1217	303303	Electric motor kit 400V/3/50Hz PW		NOT AVAILABLE	1
1217	303304	Electric motor kit 400V/3/50Hz Y/D		NOT AVAILABLE	1
215	514460	Stator fixing screw M12		NOT AVAILABLE	1
217	580150	Electric motor 400V/3/50Hz PW		NOT AVAILABLE	1
217	580160	Electric motor 400V/3/50Hz PW		NOT AVAILABLE	1
217	580290	Electric motor 400V/3/50Hz PW		NOT AVAILABLE	1
217	580730	Electric motor 400V/3/50Hz		NOT AVAILABLE	1
217	580850	Electric motor 400V/3/50Hz		NOT AVAILABLE	1
217	580940	Electric motor 380V/3/60Hz PW		NOT AVAILABLE	1
217	581110	Electric motor 380V/3/60Hz PW		NOT AVAILABLE	1
217	581320	Electric motor 380V/3/60Hz PW		NOT AVAILABLE	1
217	581690	Electric motor 400V/3/50Hz		NOT AVAILABLE	1
217	581890	Electric motor 230V/3/60Hz PW		NOT AVAILABLE	1
217	582020	Electric motor 230V/3/60Hz PW		NOT AVAILABLE	1
217	583453	Electric motor 230V/3/60Hz PW		NOT AVAILABLE	1
218	585848	Electrical layout label INT69VS PW		NOT AVAILABLE	1
218	585849	Electrical layout label INT69VS Y/D		NOT AVAILABLE	1
221	640110	Cooper plane washer Ø12xØ18x1.5		NOT AVAILABLE	1

Electric motor

www.refcomp.it
spareparts@refcomp.it

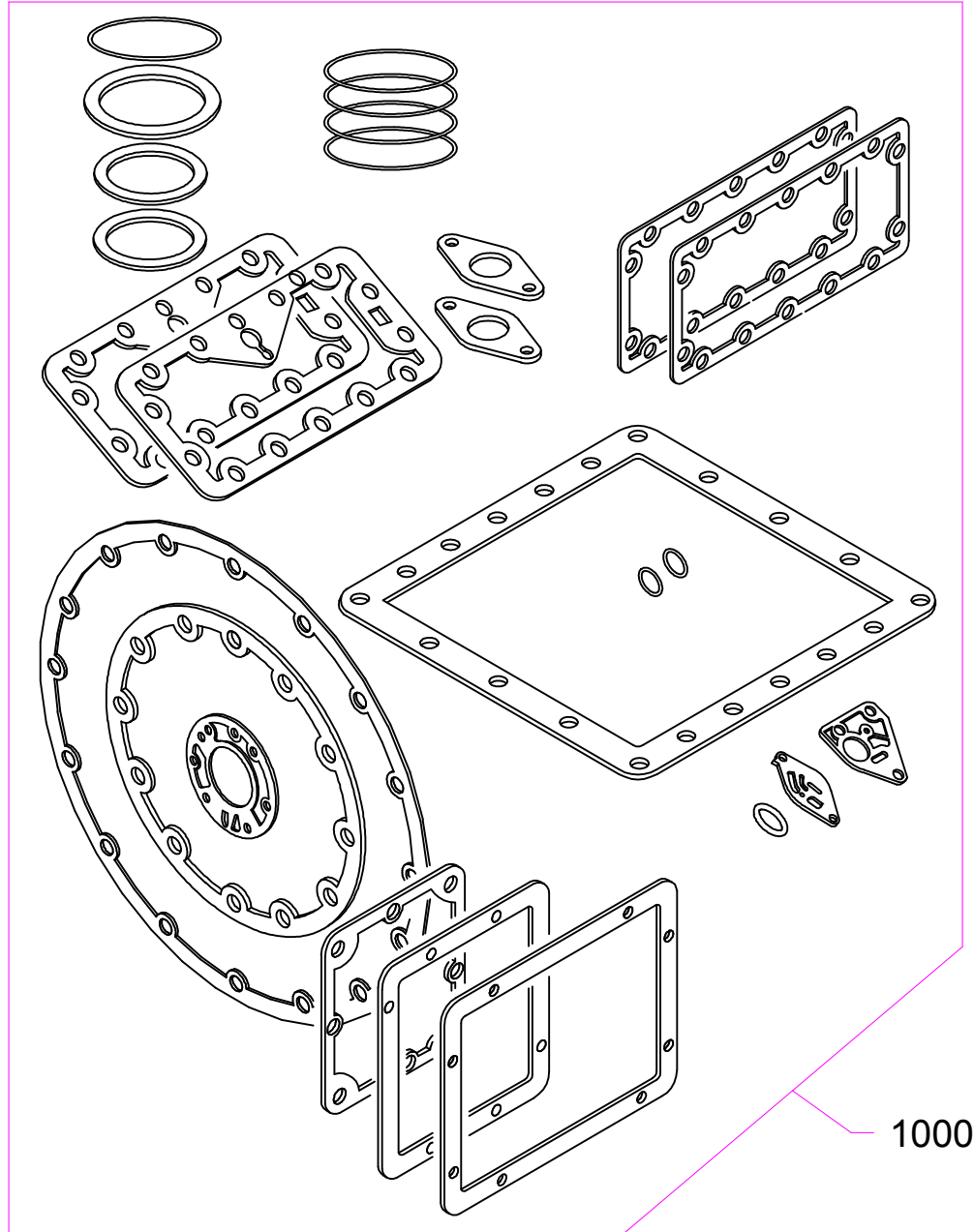


Dumpers

ATTENZIONE: il presente disegno è di esclusiva proprietà REFCOMP. E' fatto divieto di riproduzione e di divulgazione anche parziale secondo quanto regolato dalle norme vigenti.

ATTENTION: the present drawing is exclusively ownership of REFCOMP. Is forbidden to reproduce and to disclose, even if partialy, the present document in conformity to law regulation in force.

Pos	Code	Description	Serial number	Note	Q.ty
366	300300	Rubber dumpers kit		NOT AVAILABLE	1
360	300510	Rubber dumpers kit		NOT AVAILABLE	1
355	300540	Spring dumpers kit		NOT AVAILABLE	1
363	510470	Galvanized plane washer Ø13x45x3		NOT AVAILABLE	4
350	511730	Black spring dumper		NOT AVAILABLE	2
354	511740	Yellow spring dumper		NOT AVAILABLE	2
357	511760	Assorber bush		NOT AVAILABLE	4
358	511770	Washer for dumper		NOT AVAILABLE	4
352	511780	Drive spring washer		NOT AVAILABLE	4
353	511790	Screw of assorber spring		NOT AVAILABLE	4
362	590970	Dumper bush		NOT AVAILABLE	4
349	590970	Dumper bush		NOT AVAILABLE	4
364	591140	Dumper (hard)		NOT AVAILABLE	4
356	610800	Galvanized nut M10		NOT AVAILABLE	8
351	610810	Galvanized nut M12		NOT AVAILABLE	4
361	612030	Galvanized flanged nut M12		NOT AVAILABLE	4
348	612030	Galvanized flanged nut M12		NOT AVAILABLE	4
365	612230	Galvanized screw M12x60		NOT AVAILABLE	4
359	690420	Dumper (70°sh)		NOT AVAILABLE	4



Gaskets

ATTENZIONE: il presente disegno è di esclusiva proprietà REFCOMP. E' fatto divieto di riproduzione e di divulgazione anche parziale secondo quanto regolato dalle norme vigenti.

ATTENTION: the present drawing is exclusively ownership of REFCOMP. Is forbidden to reproduce and to disclose, even if partialy, the present document in conformity to law regulation in force.

Pos	Code	Description	Serial number	Note	Q.ty
1000	300900	Gasket kit 'L' series		NOT AVAILABLE	1