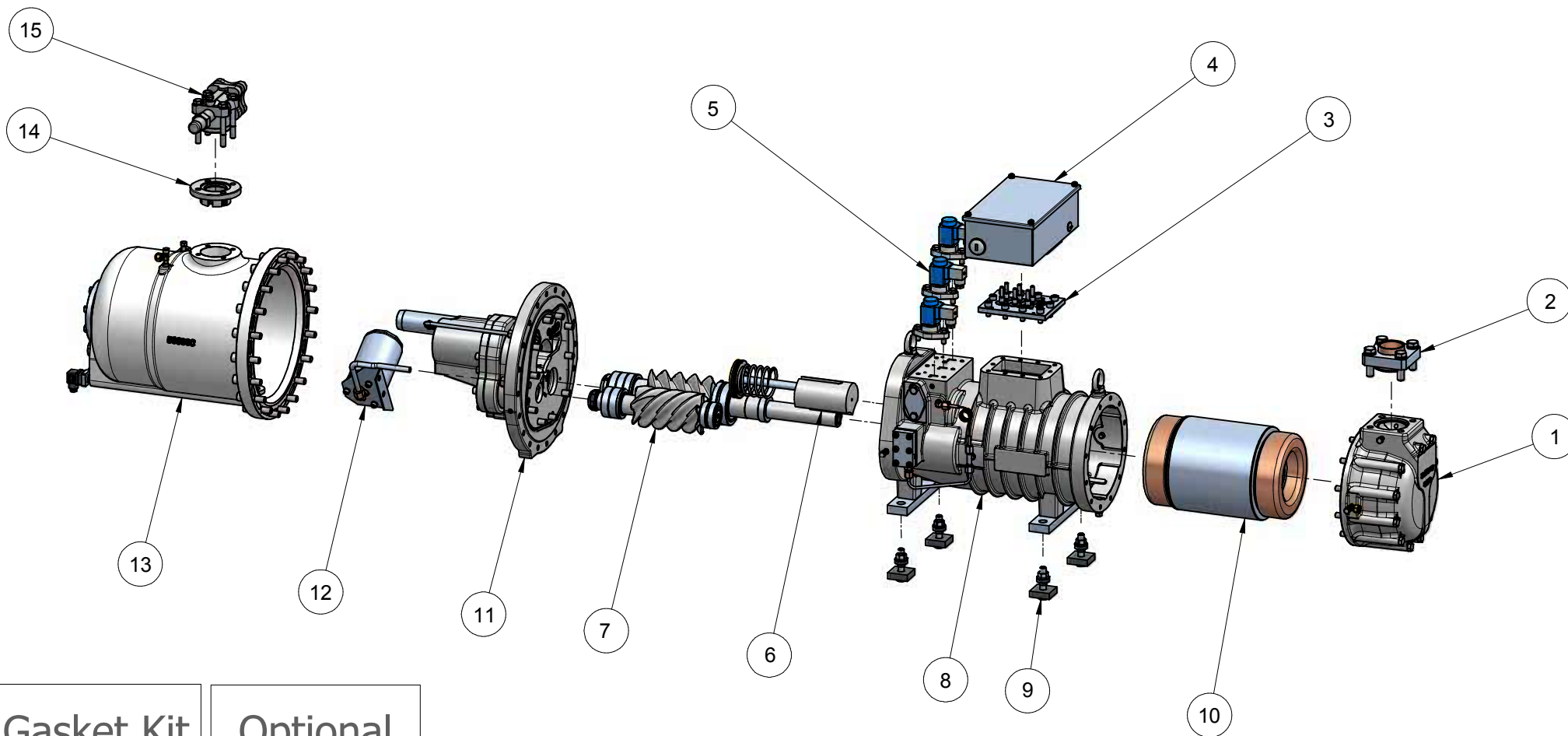


Model: "SRC-S" Series



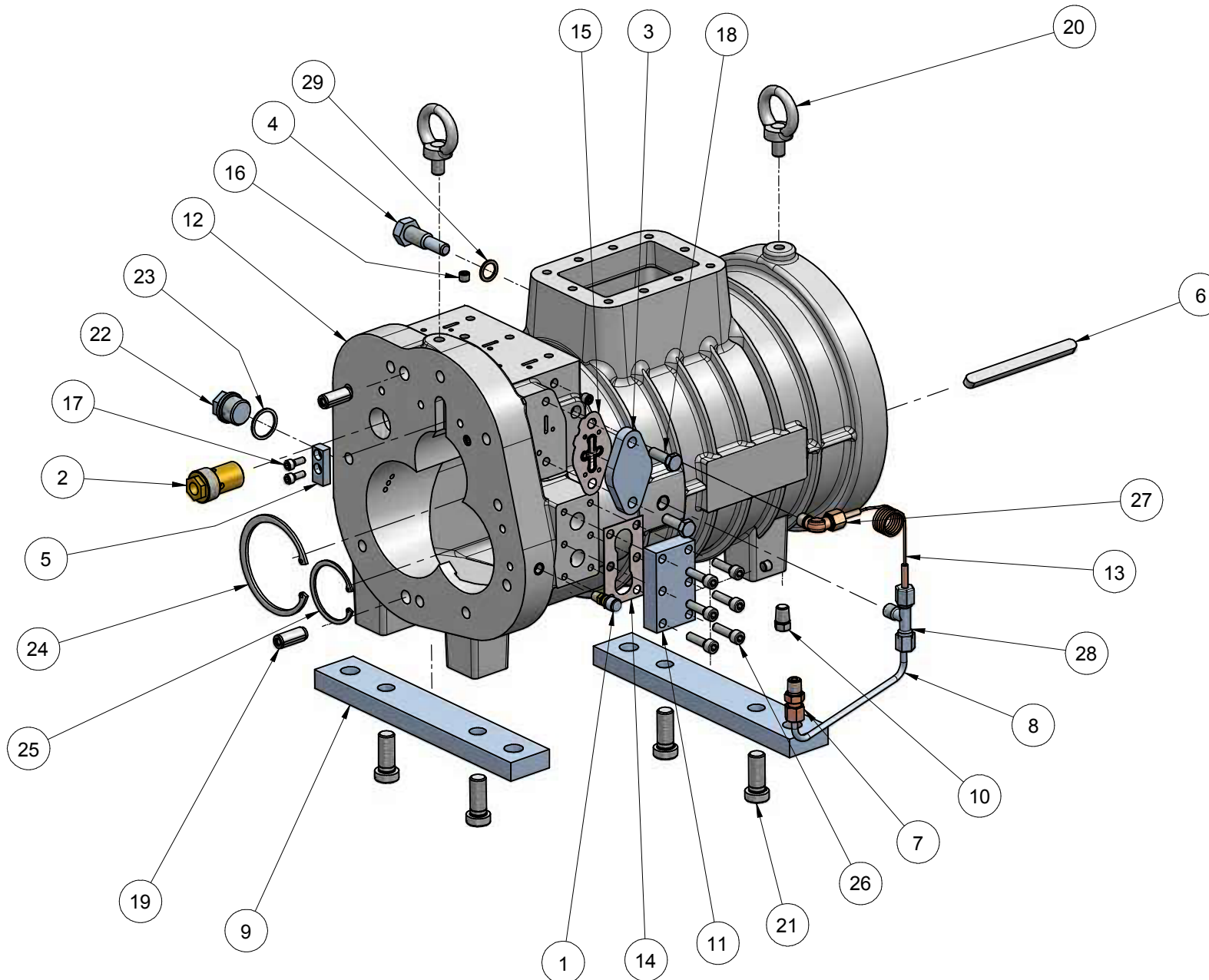
Gasket Kit

Optional

SRC-S-113_133_163

ATTENZIONE: il presente disegno è di esclusiva proprietà REFCOMP. E' fatto divieto di riproduzione e di divulgazione anche parziale secondo quanto regolato dalle norme vigenti.

ATTENTION: the present drawing is exclusively ownership of REFCOMP. Is forbidden to reproduce and to disclose, even if partially, the present document in conformity to law regulation in force.

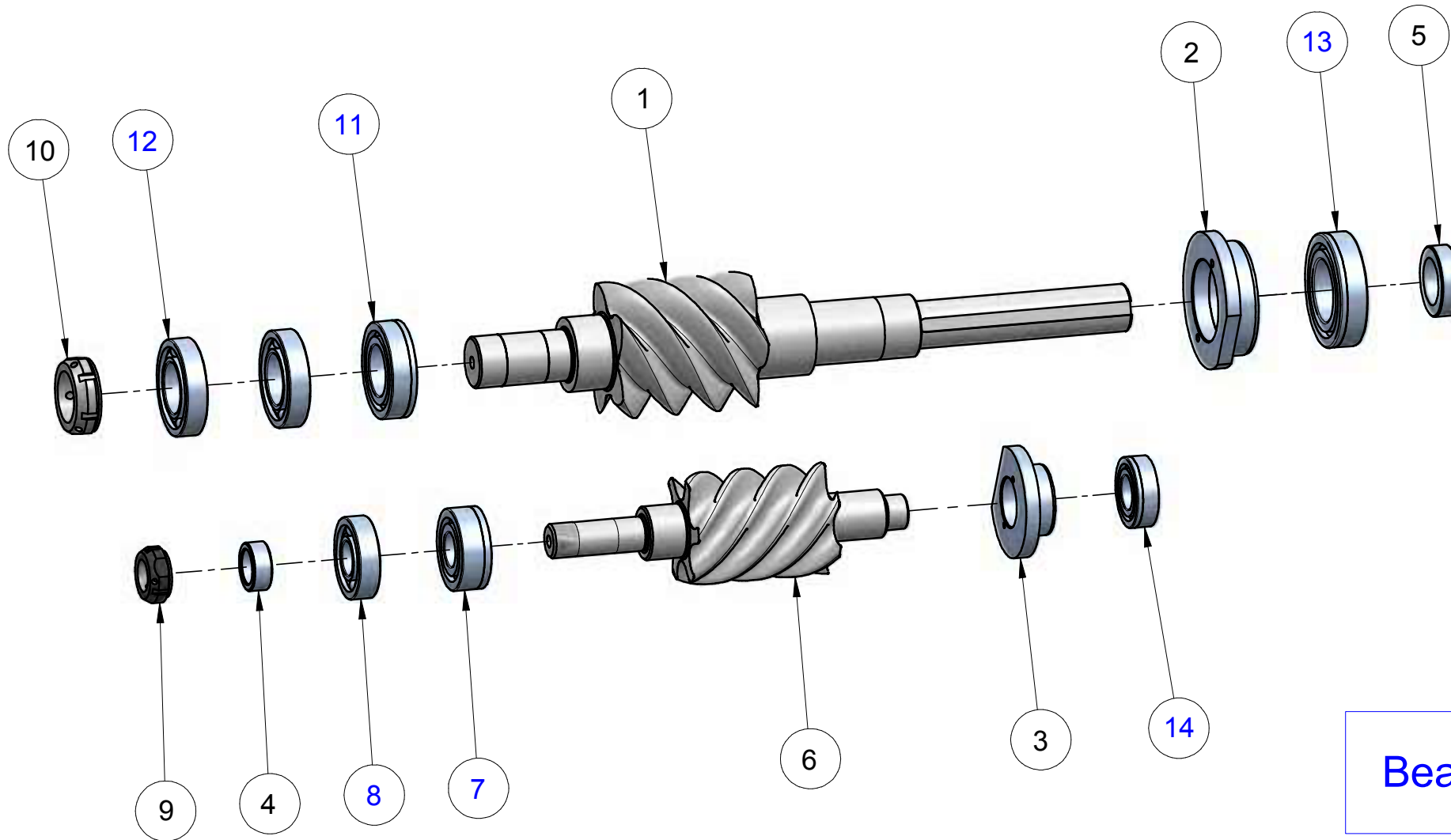


SRC-S-113_133_163 Rotor housing

ATTENZIONE: il presente disegno è di esclusiva proprietà REFCOMP.
E' fatto divieto di riproduzione e di divulgazione anche parziale secondo
quanto regolato dalle norme vigenti.

ATTENTION: the present drawing is exclusively ownership of REFCOMP.
Is forbidden to reproduce and to disclose, even if partially, the present
document in conformity to law regulation in force.

Pos	Code	Description	Serial number	Note	Q.ty
1	500263	Straight connection 1/8"NPT-1/4"SAE			1
2	500580	Max valve 30bar 1"NPT			1
3	510170	Closing oval plate l=65			1
4	513220	Stator fixing screw L=55			1
5	514660	Key 16x10x38			1
6	514760	Key 11.95x8x140			1
7	515880	Straight connection 1/4" NPT			1
8	519020	Oil flow pipe			1
9	519024	Compressor supporting plate			2
10	519147	Plug 1/4" NPT			1
11	519299	Oil and probe connection plate "SRC-S-113/213 series"			1
12	533760	Rotor housing			1
13	540701	Capillary L=838 Ø1.78			1
14	591610	Oil cooling connecting plate gasket 'SRC-S-113/213'			1
15	592732	Step load gasket 'L4'			1
16	610680	Plug 1/8"NPT			4
17	611120	Screw M6x16			2
18	611370	Screw M10x30			2
19	611940	Cylindrical pin Ø14x35			2
20	612480	Eyebolt M12			2
21	613420	Screw M16x40			4
22	613830	Plug M26x1.5			1
23	613840	Aluminium washer Ø26.5xØ32x1.5			1
24	614468	Seeger ring Ø100			1
25	614469	Seeger ring Ø62			1
26	614538	Screw M8x30			6
27	640610	90° connection 1/4"NPT			1
28	640620	T connection 1/4"-18 NPSI			1
29	680030	Copper washer Ø16x22x1.5			1



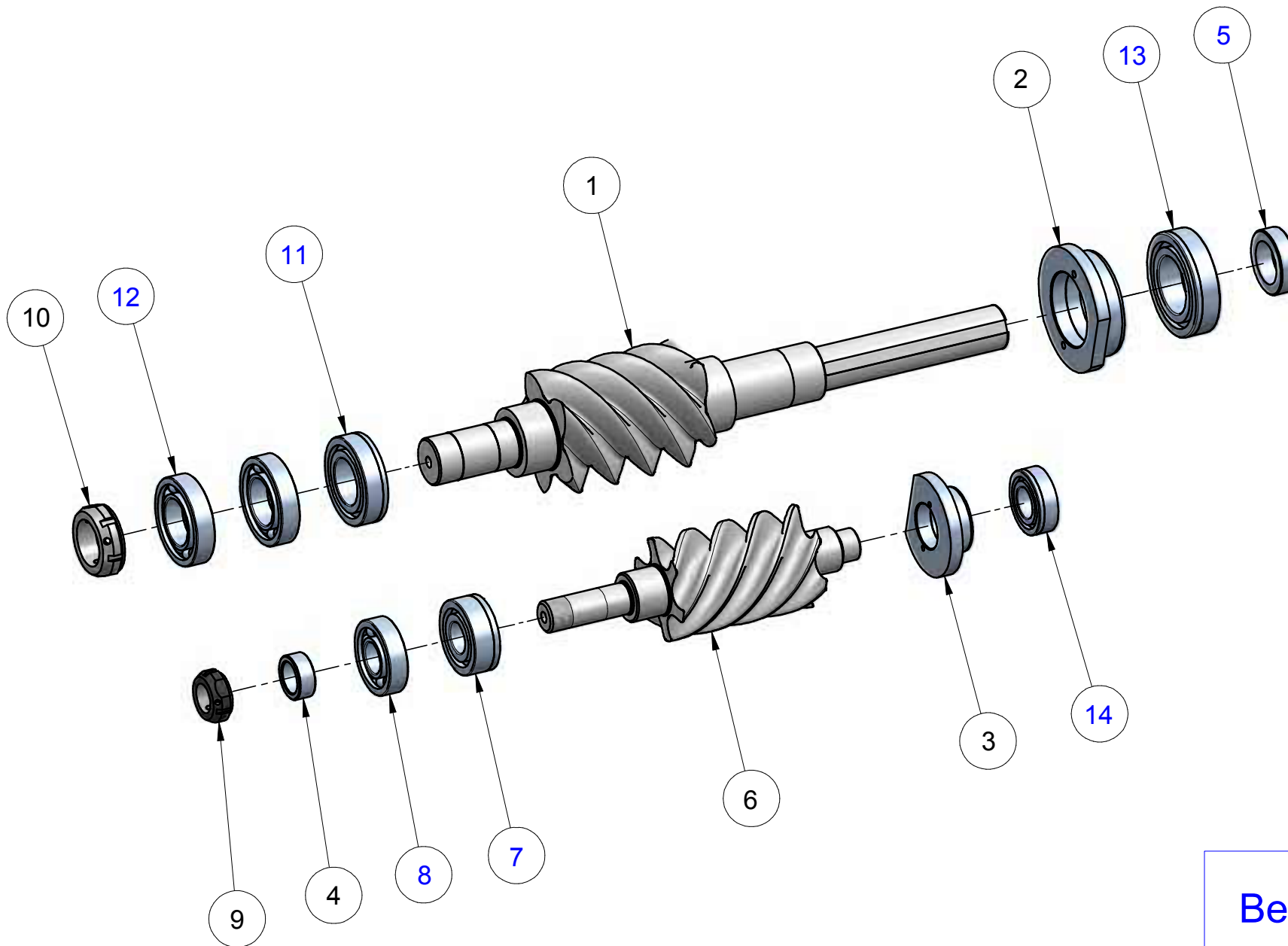
Bearing Kit

SRC-S-113 Rotor

ATTENZIONE: il presente disegno è di esclusiva proprietà REFCOMP. E' fatto divieto di riproduzione e di divulgazione anche parziale secondo quanto regolato dalle norme vigenti.

ATTENTION: the present drawing is exclusively ownership of REFCOMP. Is forbidden to reproduce and to disclose, even if partially, the present document in conformity to law regulation in force.

Pos	Code	Description	Serial number	Note	Q.ty
1	503046	Male rotor 'SRC-S-113' series			1
2	519169	Male rotor suction bush 'SRC-S-133' series			1
3	519170	Female rotor suction bush 'SRC-S-133' series			1
4	519505	Bearing internal spacer Ø30xØ42.4x17			1
5	519510	Electric rotor spacer Ø41.4x17			1
6	533900	Female rotor 'SRC-S-113' series			1
7	612550	Cylindrical roller bearing			1
8	612570	Ball bearing			1
9	612710	Block nut M30x1.5			1
10	612720	Block nut M45x1.5			1
11	613030	Cylindrical roller bearing			1
12	613040	Ball bearing			2
13	613650	Cylindrical roller bearing			1
14	614456	Cylindrical roller bearing			1
Kit	303585	Bearings kit			1



Bearing Kit

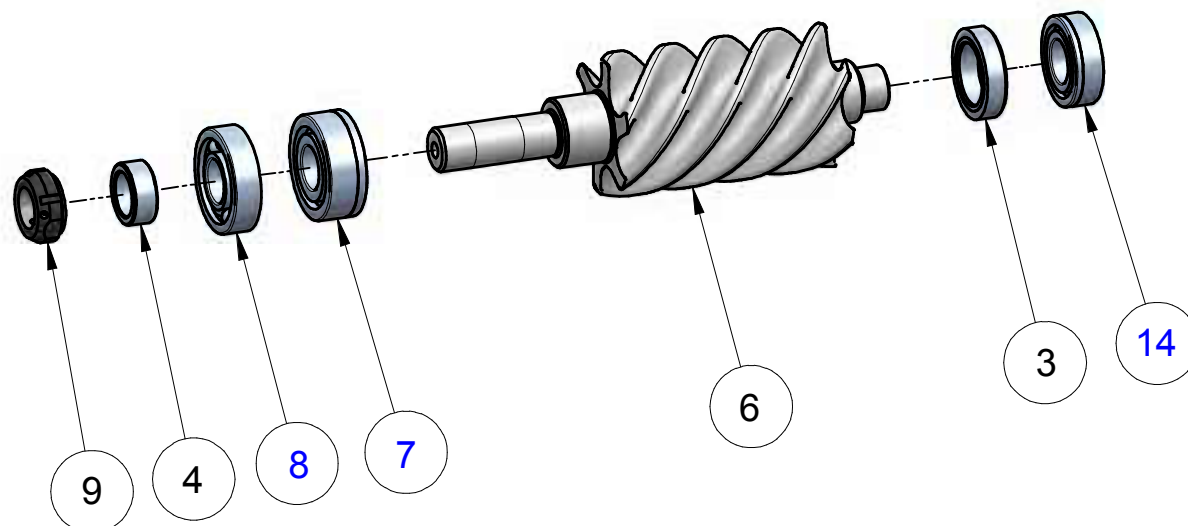
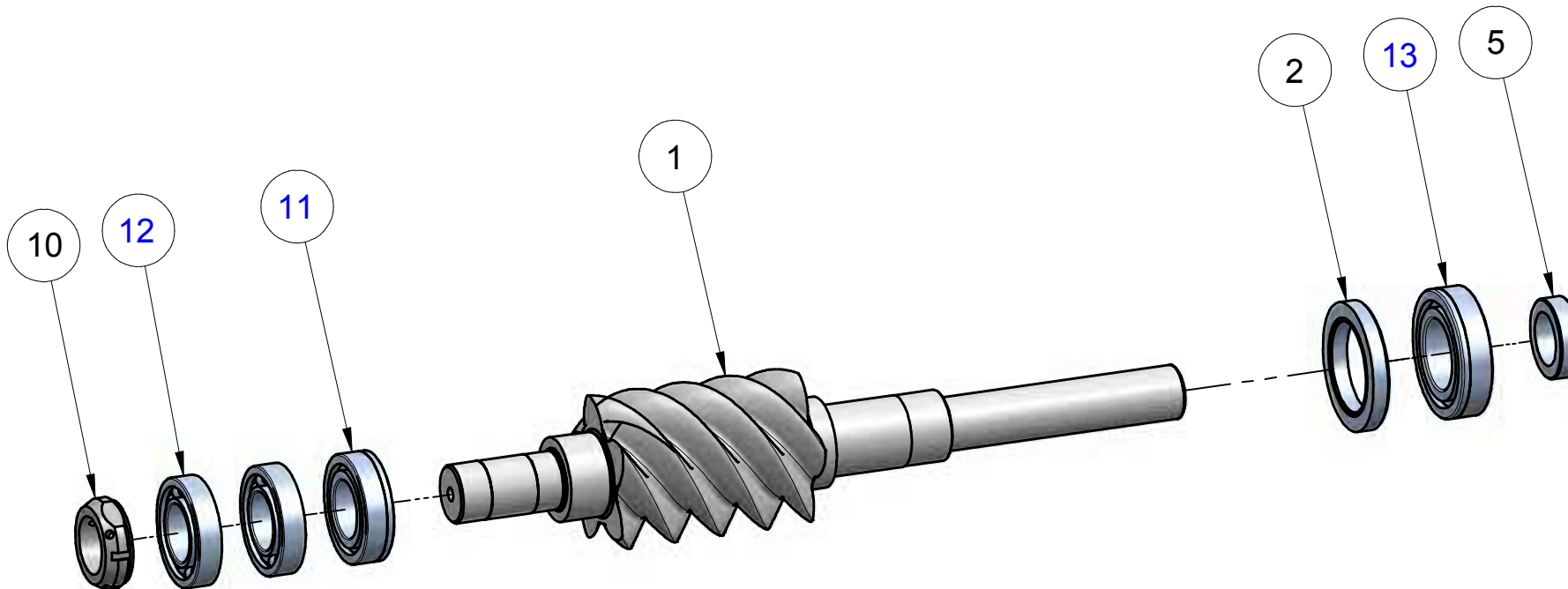
SRC-S-133 Rotor

ATTENZIONE: il presente disegno è di esclusiva proprietà REFCOMP. E' fatto divieto di riproduzione e di divulgazione anche parziale secondo quanto regolato dalle norme vigenti.

ATTENTION: the present drawing is exclusively ownership of REFCOMP. Is forbidden to reproduce and to disclose, even if partially, the present document in conformity to law regulation in force.

Pos	Code	Description	Serial number	Note	Q.ty
1	503045	Male rotor 'SRC-S-133' series			1
2	519169	Male rotor suction bush 'SRC-S-133' series			1
3	519170	Female rotor suction bush 'SRC-S-133' series			1
4	519505	Bearing internal spacer Ø30xØ42.4x17			1
5	519510	Electric rotor spacer Ø41.4x17			1
6	533903	Female rotor 'SRC-S-133' series			1
7	612550	Cylindrical roller bearing			1
8	612570	Ball bearing			1
9	612710	Block nut M30x1.5			1
10	612720	Block nut M45x1.5			1
11	613030	Cylindrical roller bearing			1
12	613040	Ball bearing			2
13	613650	Cylindrical roller bearing			1
14	614456	Cylindrical roller bearing			1
Kit	303585	Bearings kit			1

Model: SRC-S-113_133_163



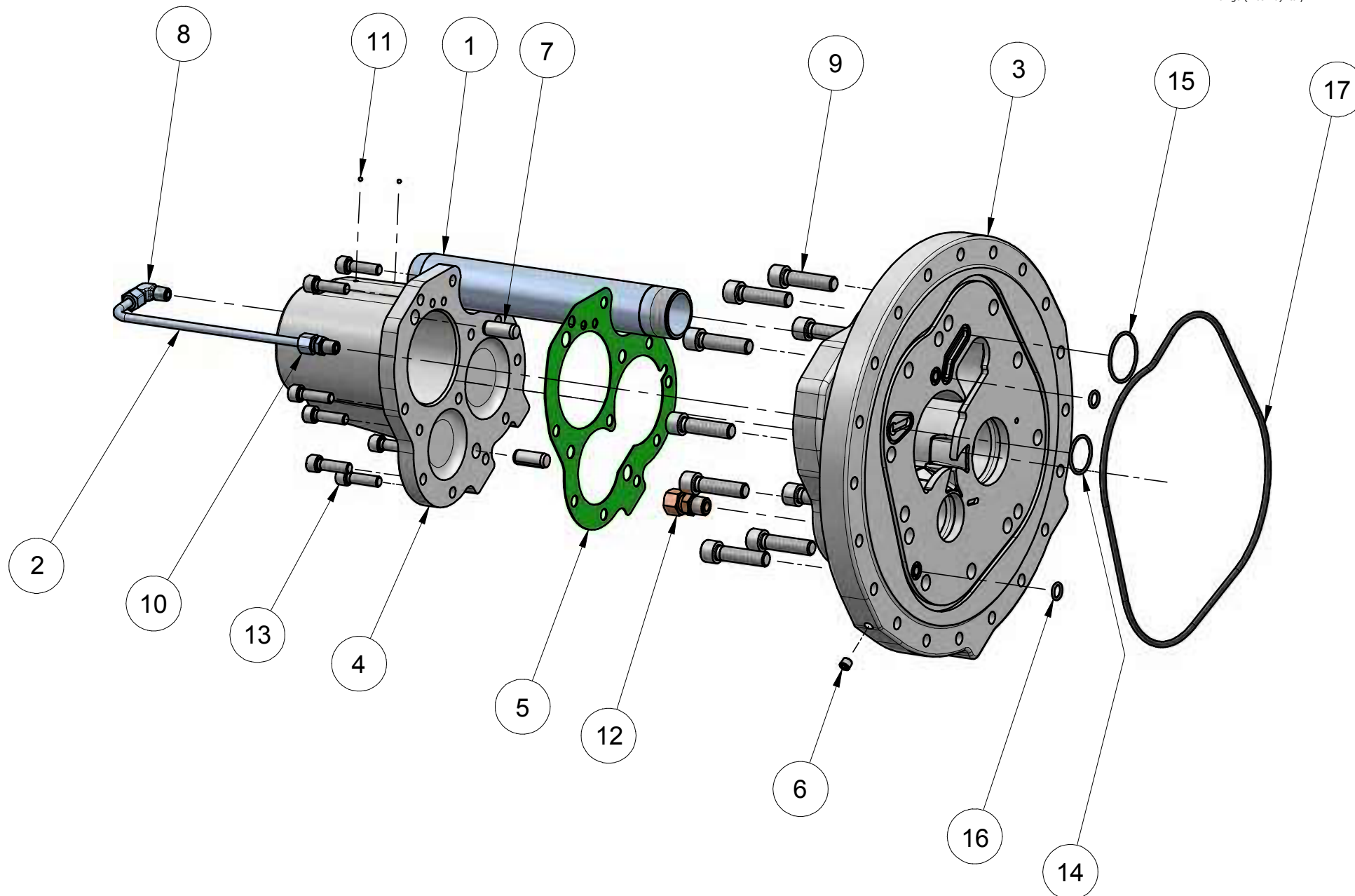
Bearing Kit

SRC-S-163 Rotor

ATTENZIONE: il presente disegno è di esclusiva proprietà REFCOMP. E' fatto divieto di riproduzione e di divulgazione anche parziale secondo quanto regolato dalle norme vigenti.

ATTENTION: the present drawing is exclusively ownership of REFCOMP. Is forbidden to reproduce and to disclose, even if partially, the present document in conformity to law regulation in force.

Pos	Code	Description	Serial number	Note	Q.ty
1	503044	Male rotor 'SRC-S-163' series			1
2	519008	Male rotor suction bush 'SRC-S-163' series			1
3	519009	Female rotor suction bush 'SRC-S-163' series			1
4	519505	Bearing internal spacer Ø30xØ42.4x17			1
5	519510	Electric rotor spacer Ø41.4x17			1
6	533897	Female rotor 'SRC-S-163' series			1
7	612550	Cylindrical roller bearing			1
8	612570	Ball bearing			1
9	612710	Block nut M30x1.5			1
10	612720	Block nut M45x1.5			1
11	613030	Cylindrical roller bearing			1
12	613040	Ball bearing			2
13	613650	Cylindrical roller bearing			1
14	614456	Cylindrical roller bearing			1
Kit	303585	Bearings kit			1



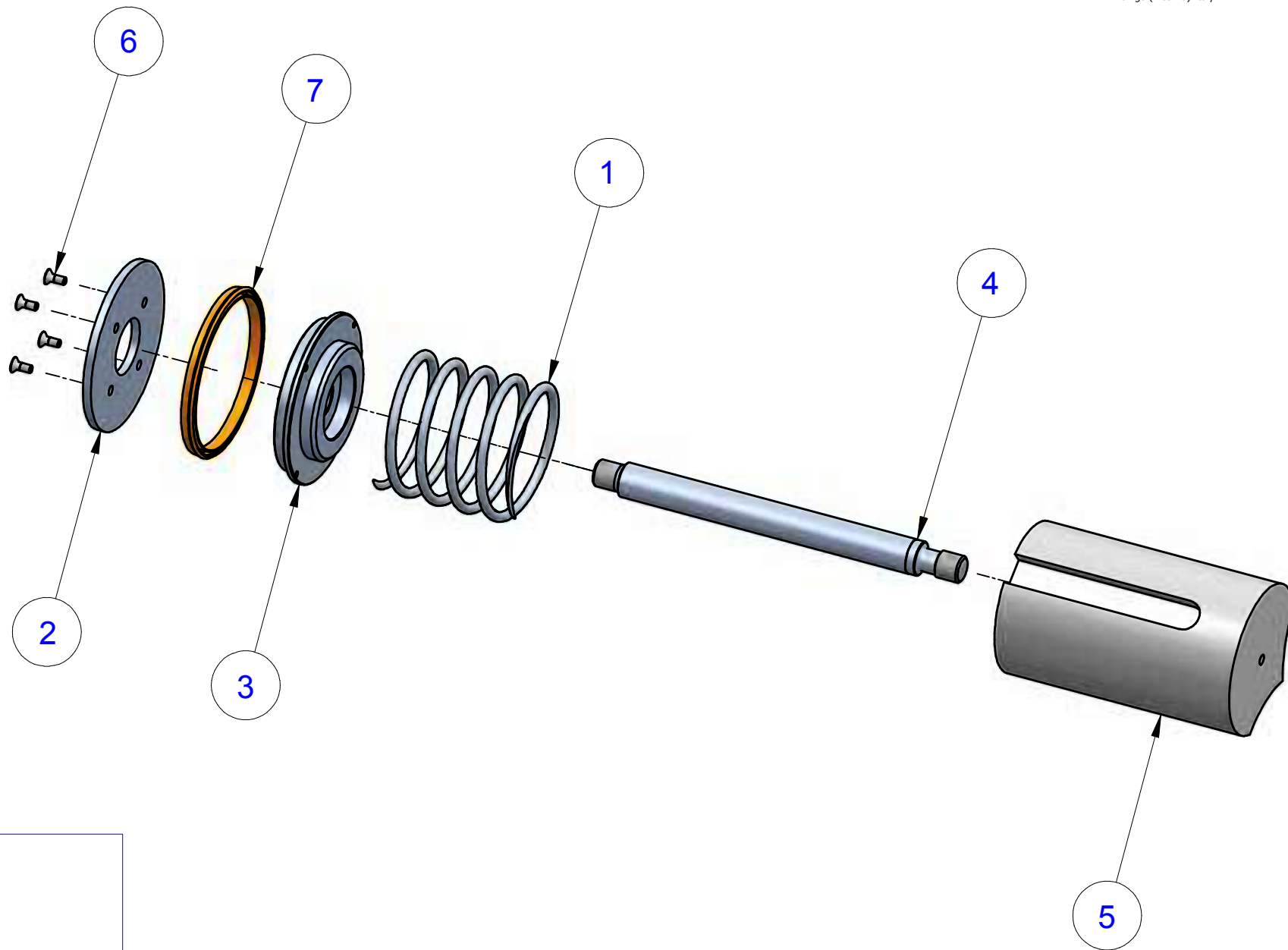
Bearing housing + bearing housing cover

ATTENZIONE: il presente disegno è di esclusiva proprietà REFCOMP. E' fatto divieto di riproduzione e di divulgazione anche parziale secondo quanto regolato dalle norme vigenti.

ATTENTION: the present drawing is exclusively ownership of REFCOMP. Is forbidden to reproduce and to disclose, even if partially, the present document in conformity to law regulation in force.

Pos	Code	Description	Serial number	Note	Q.ty
1	519306	Discharge pipe			1
2	519308	Injection oil pipe			1
3	533884	Bearing housing			1
4	533885	Bearing housing cover			1
5	592758	Bearing cover gasket			1
6	610680	Plug 1/8"NPT			1
7	611940	Cylindrical pin Ø14x35			2
8	612400	90° connection 1/4"NPT			1
9	612470	Screw M14x55			10
10	612770	Straight connection 1/4"NPT			1
11	613930	Steel ball Ø3.5			2
12	614489	Straight connection 3/8"NPT			1
13	614544	Screw M10x35			12
14	690080	O-ring OR3131			1
15	691040	O-ring OR3175			1
16	691081	O-ring OR115			2
17	691126	O-ring OR61150			1

Bearing housing + bearing housing cover



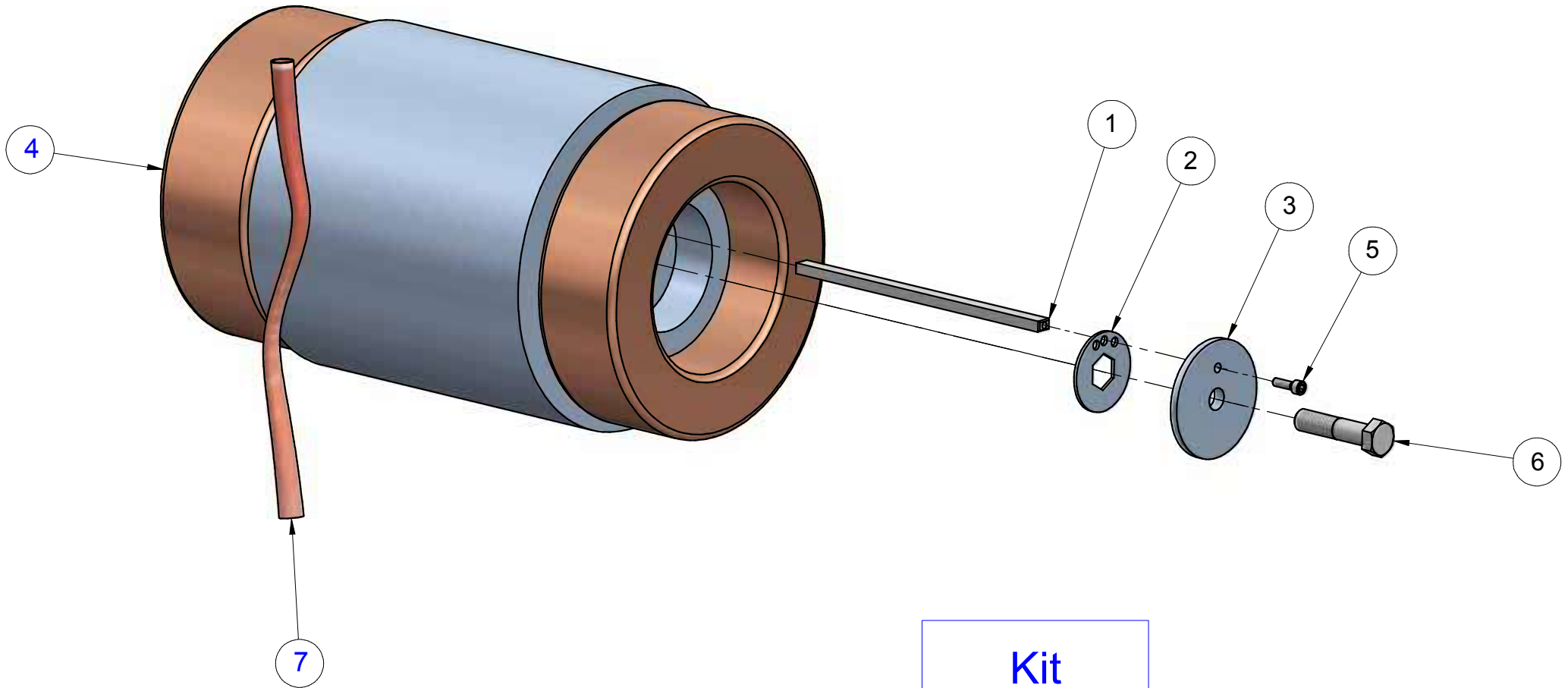
Kit

Slide valve

ATTENZIONE: il presente disegno è di esclusiva proprietà REFCOMP. E' fatto divieto di riproduzione e di divulgazione anche parziale secondo quanto regolato dalle norme vigenti.

ATTENTION: the present drawing is exclusively ownership of REFCOMP. Is forbidden to reproduce and to disclose, even if partialy, the present document in conformity to law regulation in force.

Pos	Code	Description	Serial number	Note	Q.ty
1	514690	Spring slide valve			1
2	514800	Front part control piston			1
3	518930	Control piston Ø90			1
4	519188	Control piston rod L=166			1
5	533785	Slide valve Vi=2.6			1
6	612980	Screw M4x10			4
7	691140	Gasket			1
Kit	303405	Slide valve kit Vi=2.6			1



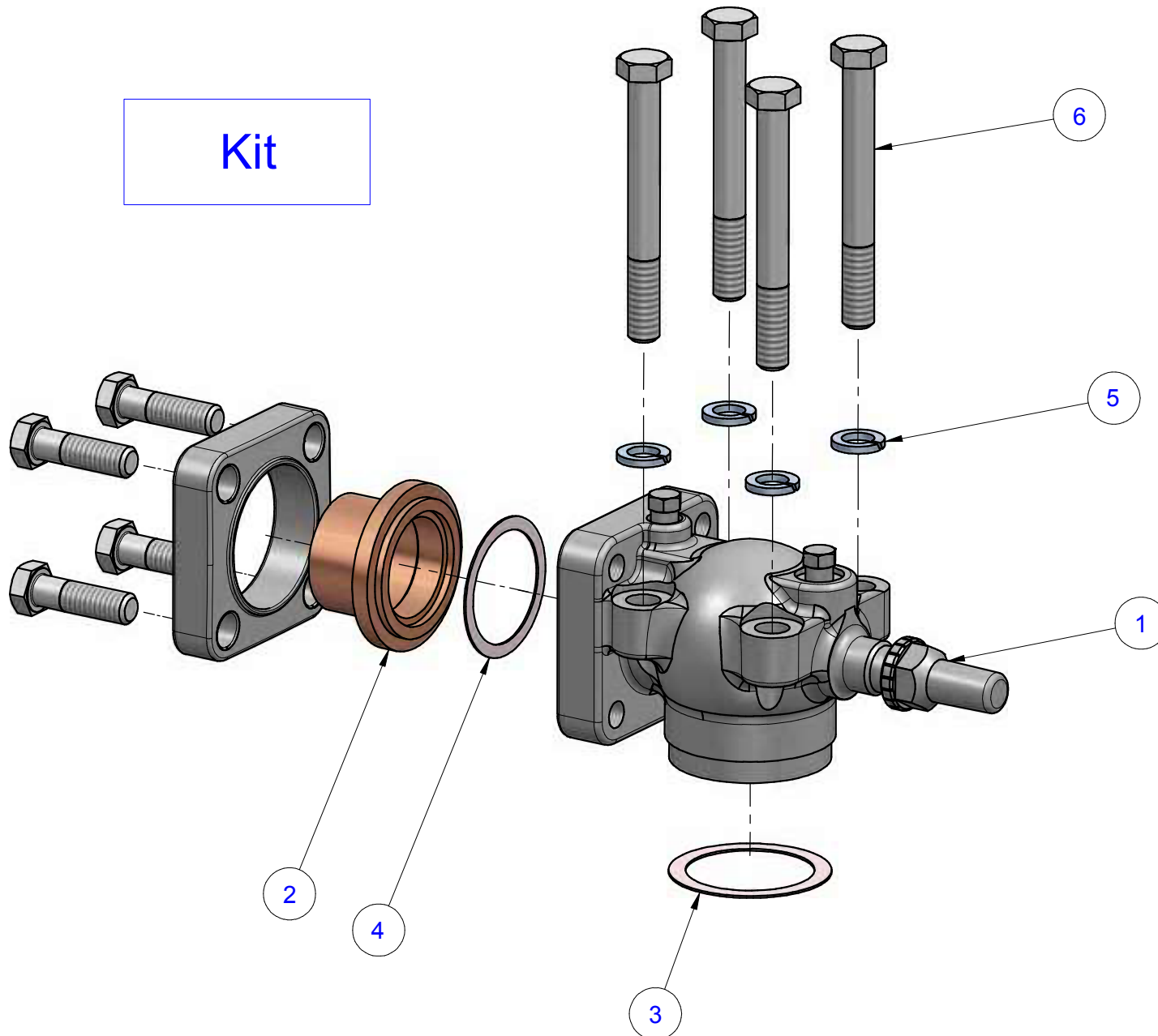
Electrical motor

ATTENZIONE: il presente disegno è di esclusiva proprietà REFCOMP. E' fatto divieto di riproduzione e di divulgazione anche parziale secondo quanto regolato dalle norme vigenti.

ATTENTION: the present drawing is exclusively ownership of REFCOMP. Is forbidden to reproduce and to disclose, even if partialy, the present document in conformity to law regulation in force.

Pos	Code	Description	Serial number	Note	Q.ty
1	519181	Key 12x8x187			1
2	519091	Anti-rotation washer			1
3	517910	Shaft washer			1
4	583443	Electric motor 400V/3/50Hz PW			1
5	612630	Screw M6x20			1
6	614490	Screw M16x60			1
7	690240	Shrink sleeve Ø18			1
Kit	303651	Electric motor kit 400V/3/50Hz PW			1
Kit	303275	Electric motor kit 400V/3/50Hz PW			1
Kit	303277	Electric motor kit 400V/3/50Hz PW			1
4	582040	Electric motor 400V/3/50Hz PW			1
4	582700	Electric motor 400V/3/50Hz PW			1

Kit



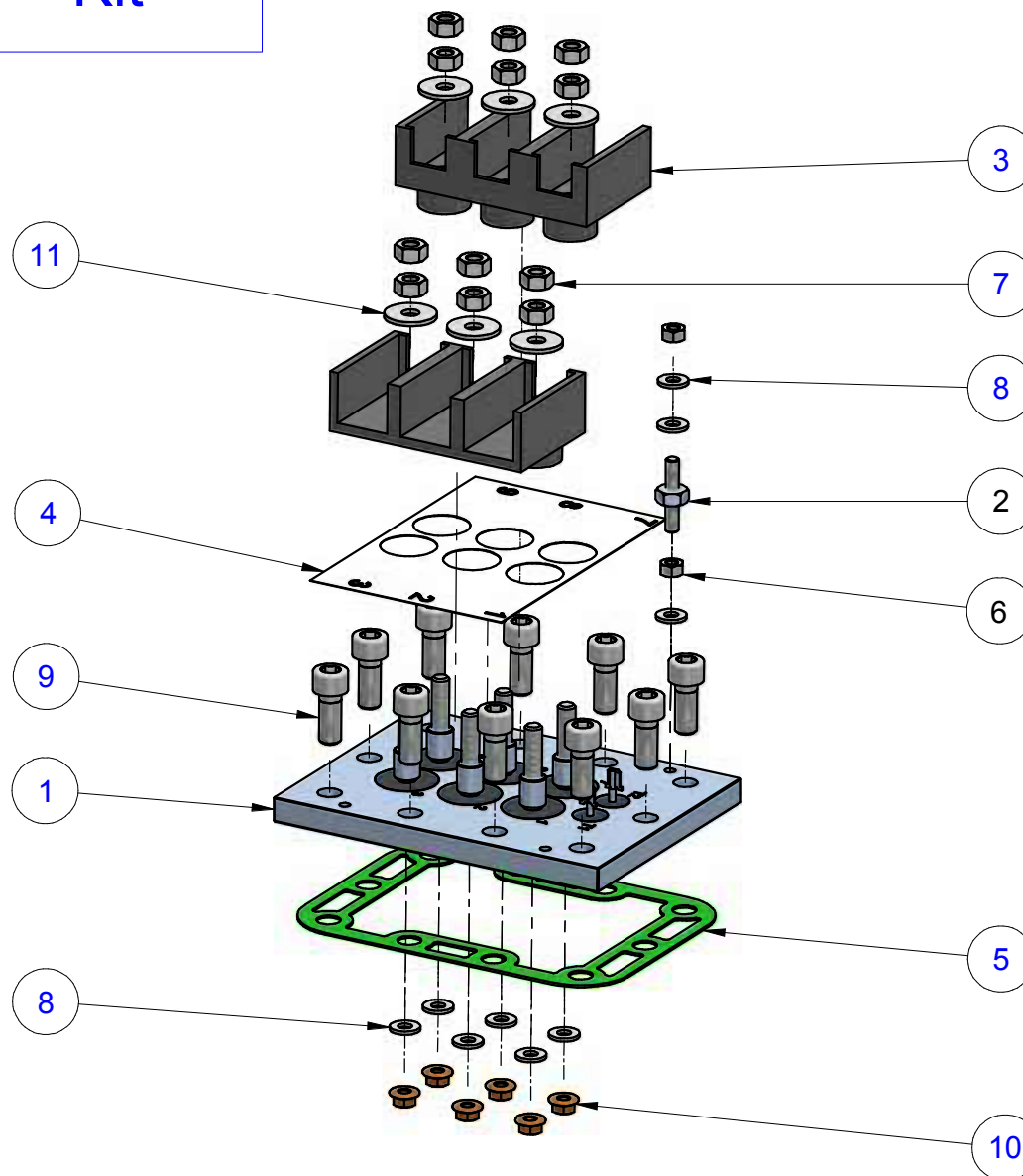
Discharge shut-off valve

ATTENZIONE: il presente disegno è di esclusiva proprietà REFCOMP. E' fatto divieto di riproduzione e di divulgazione anche parziale secondo quanto regolato dalle norme vigenti.

ATTENTION: the present drawing is exclusively ownership of REFCOMP. Is forbidden to reproduce and to disclose, even if partially, the present document in conformity to law regulation in force.

Pos	Code	Description	Serial number	Note	Q.ty
1	500900	Shut-off valve l=63.6			1
2	519466	Bush Ø35			1
2	510570	Bush Ø42		Standard	1
3	590790	Shut-off valve gasket Ø57xØ70x1			1
4	591010	Shut-off valve gasket Ø40xØ52.5x1			1
5	610960	Galvanized grower washer M12			4
6	614496	Screw M12x100			4
Kit	303561	Shut-off valve kit l=63.6 Ø35			1
Kit	304181	Shut-off valve kit l=63.6 Ø42		Standard Kit	1

Kit



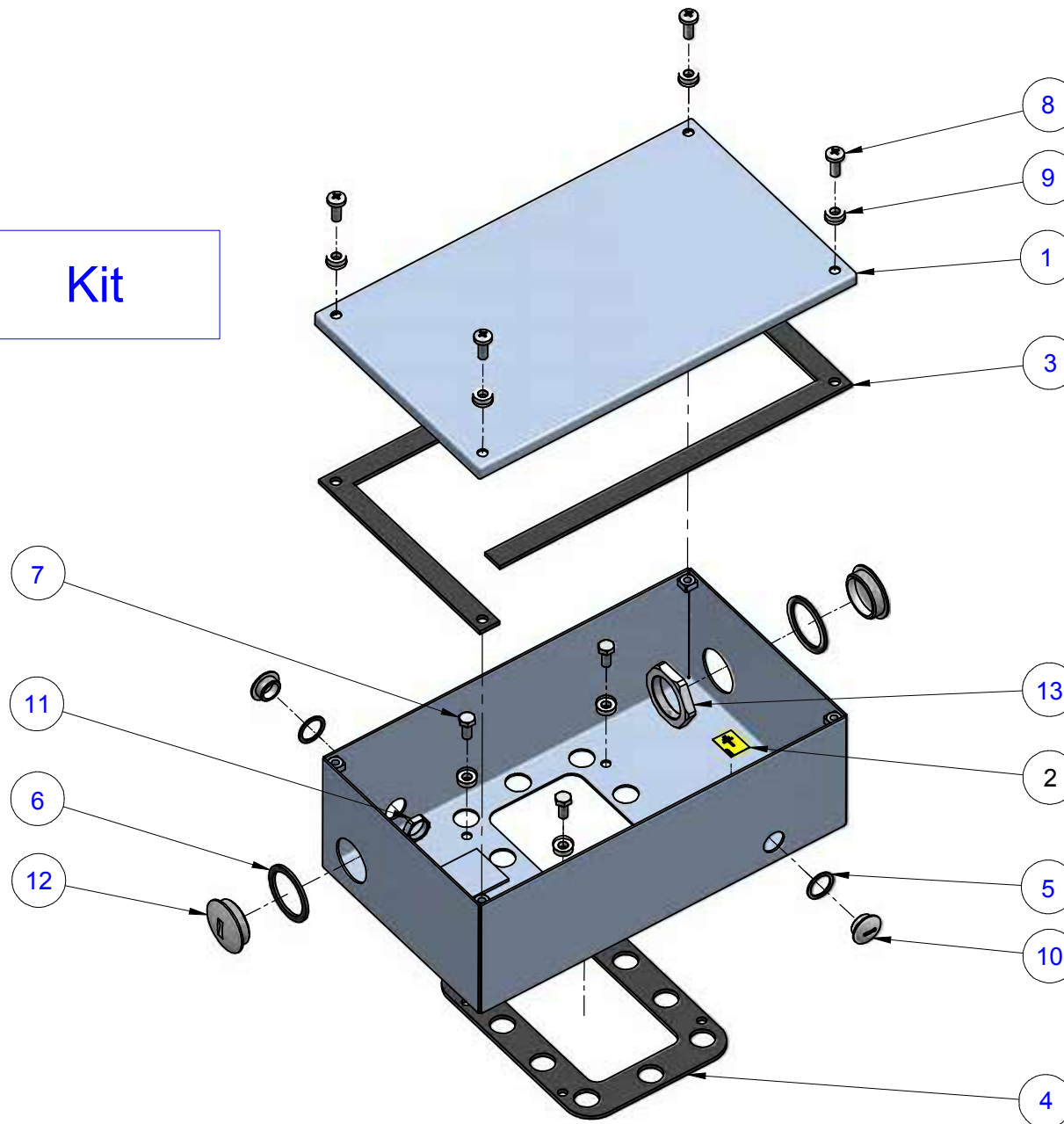
Terminal plate

ATTENZIONE: il presente disegno è di esclusiva proprietà REFCOMP. E' fatto divieto di riproduzione e di divulgazione anche parziale secondo quanto regolato dalle norme vigenti.

ATTENTION: the present drawing is exclusively ownership of REFCOMP. Is forbidden to reproduce and to disclose, even if partialy, the present document in conformity to law regulation in force.

Pos	Code	Description	Serial number	Note	Q.ty
1	502946	Terminal plate M8			1
2	511510	Ground screw			1
3	592550	Electric terminal insulation			2
4	592560	Electric numbering			1
5	592650	Terminal plate gasket			1
6	610790	Galvanized nut M6			2
7	610860	Galvanized nut M8			12
8	611010	Plane washer Ø6x14x1.5			9
9	612200	Galvanized screw M10x25			10
10	612950	Klock nut M6			6
11	614451	Large galvanized washer M8x24x2			6
Kit	303258	Terminal plate kit 'P' series			1

Kit



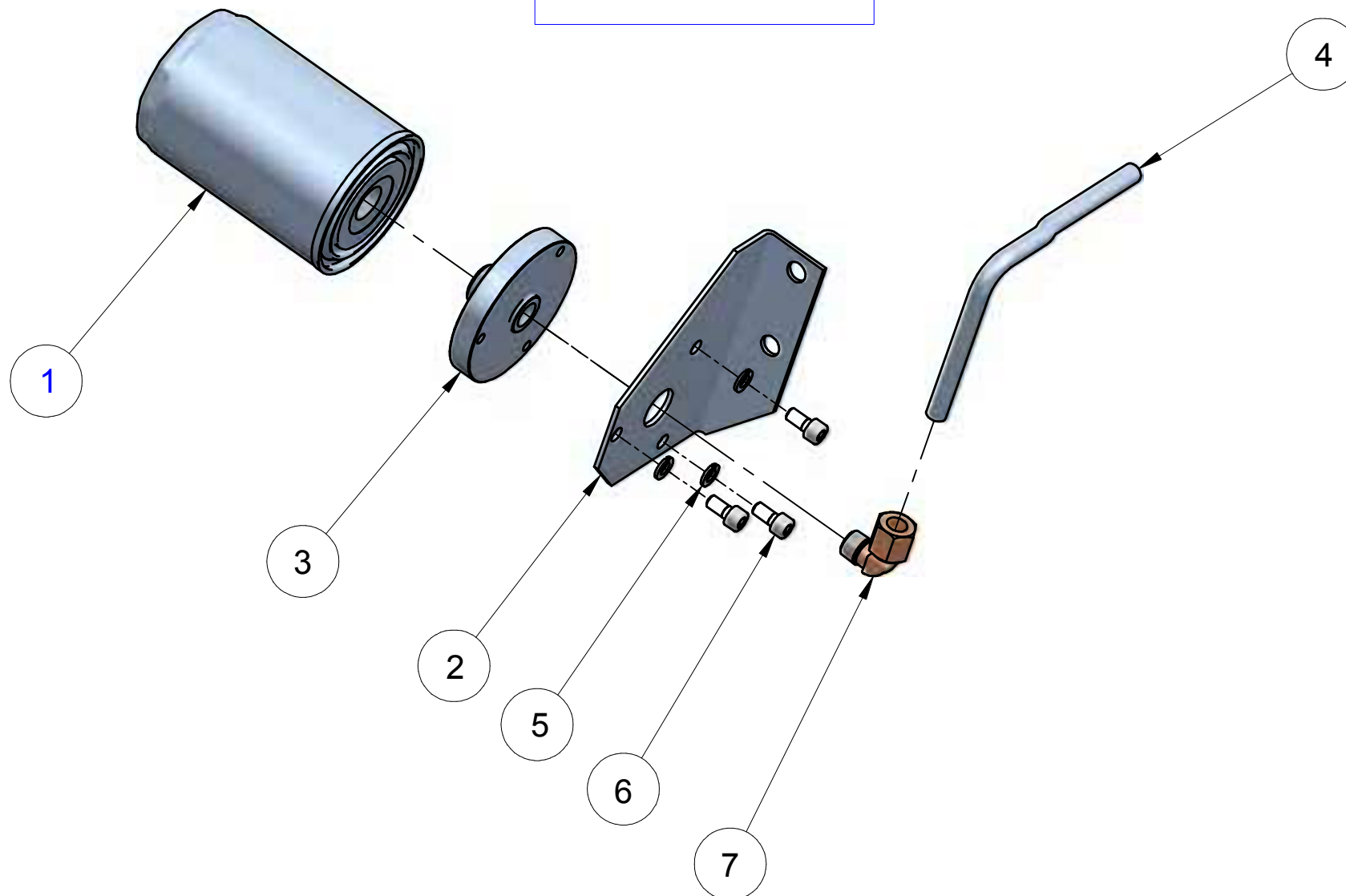
Terminal box

ATTENZIONE: il presente disegno è di esclusiva proprietà REFCOMP. E' fatto divieto di riproduzione e di divulgazione anche parziale secondo quanto regolato dalle norme vigenti.

ATTENTION: the present drawing is exclusively ownership of REFCOMP. Is forbidden to reproduce and to disclose, even if partially, the present document in conformity to law regulation in force.

Pos	Code	Description	Serial number	Note	Q.ty
1	518480	Electric box cover 'P' series			1
2	585220	Ground label			1
3	592630	Electric box cover gasket			2
4	592640	Electric box lower gasket			1
5	592826	Rubber washer gasket ISO 16			2
6	592828	Rubber washer gasket ISO 32			2
7	611150	Galvanized screw M6x14			3
8	613960	Galvanized screw M6x16			4
9	691107	Rubber washer miniplast MP16-6			7
10	691153	Plastic plug ISO 16			2
11	691154	Plastic nut ISO 16			2
12	691157	Plastic plug ISO 32			2
13	691158	Plastic nut ISO 32			2
Kit	303374	Electric box kit '134-S-113/133/163' series			1

Kit

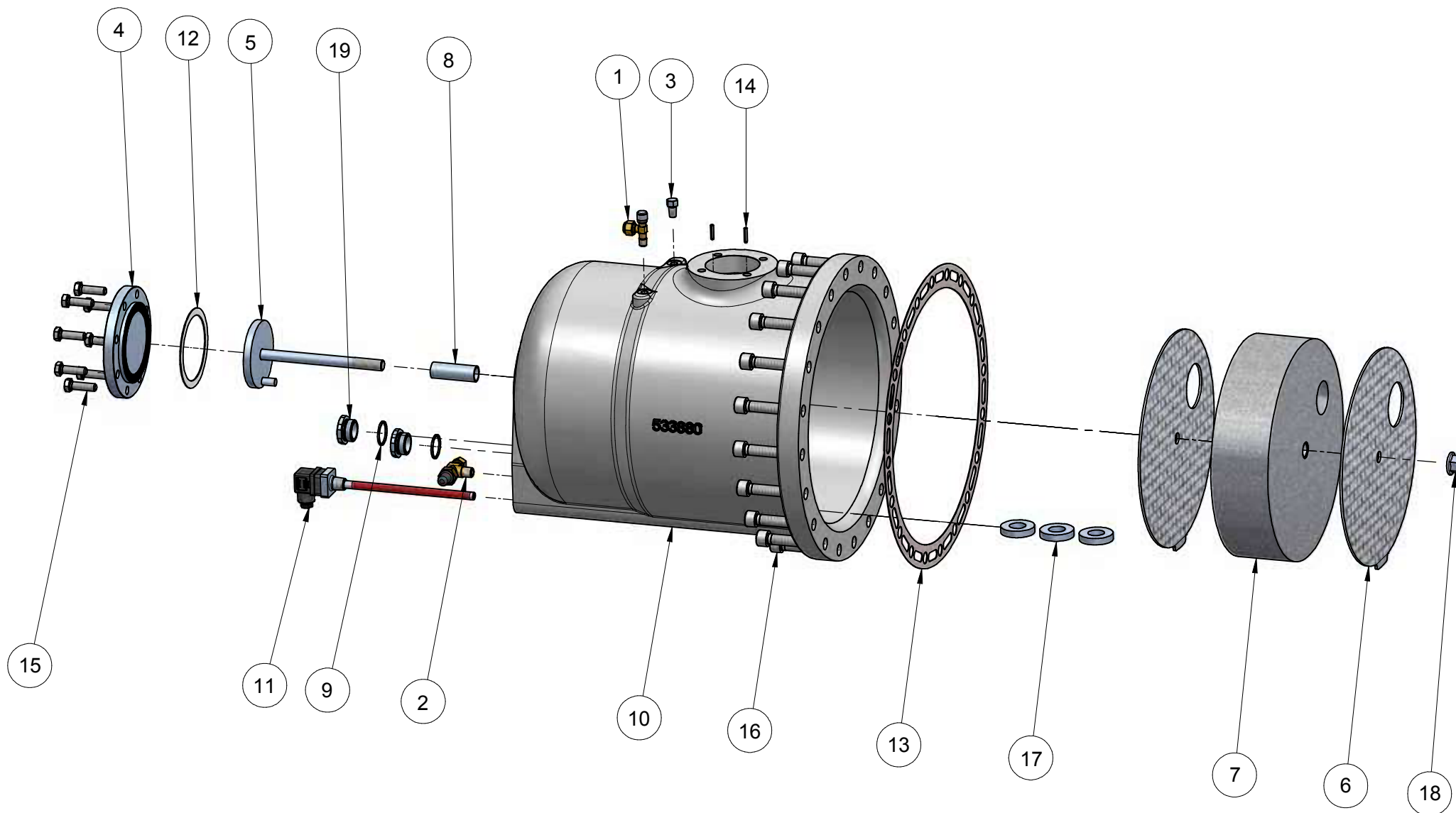


Oil strainer

ATTENZIONE: il presente disegno è di esclusiva proprietà REFCOMP. E' fatto divieto di riproduzione e di divulgazione anche parziale secondo quanto regolato dalle norme vigenti.

ATTENTION: the present drawing is exclusively ownership of REFCOMP. Is forbidden to reproduce and to disclose, even if partialy, the present document in conformity to law regulation in force.

Pos	Code	Description	Serial number	Note	Q.ty
1	502918	Oil filter cartridge			1
2	519010	Oil filter support			1
3	519011	Oil filter connection support			1
4	519307	Oil filter pipe			1
5	614400	Galvanized grower washer M8			3
6	614477	Screw M8x16			3
7	614488	90° connection 3/8"NPT			1
Kit	303175	Oil filter kit 'SRC-S-113/133/163' series			1



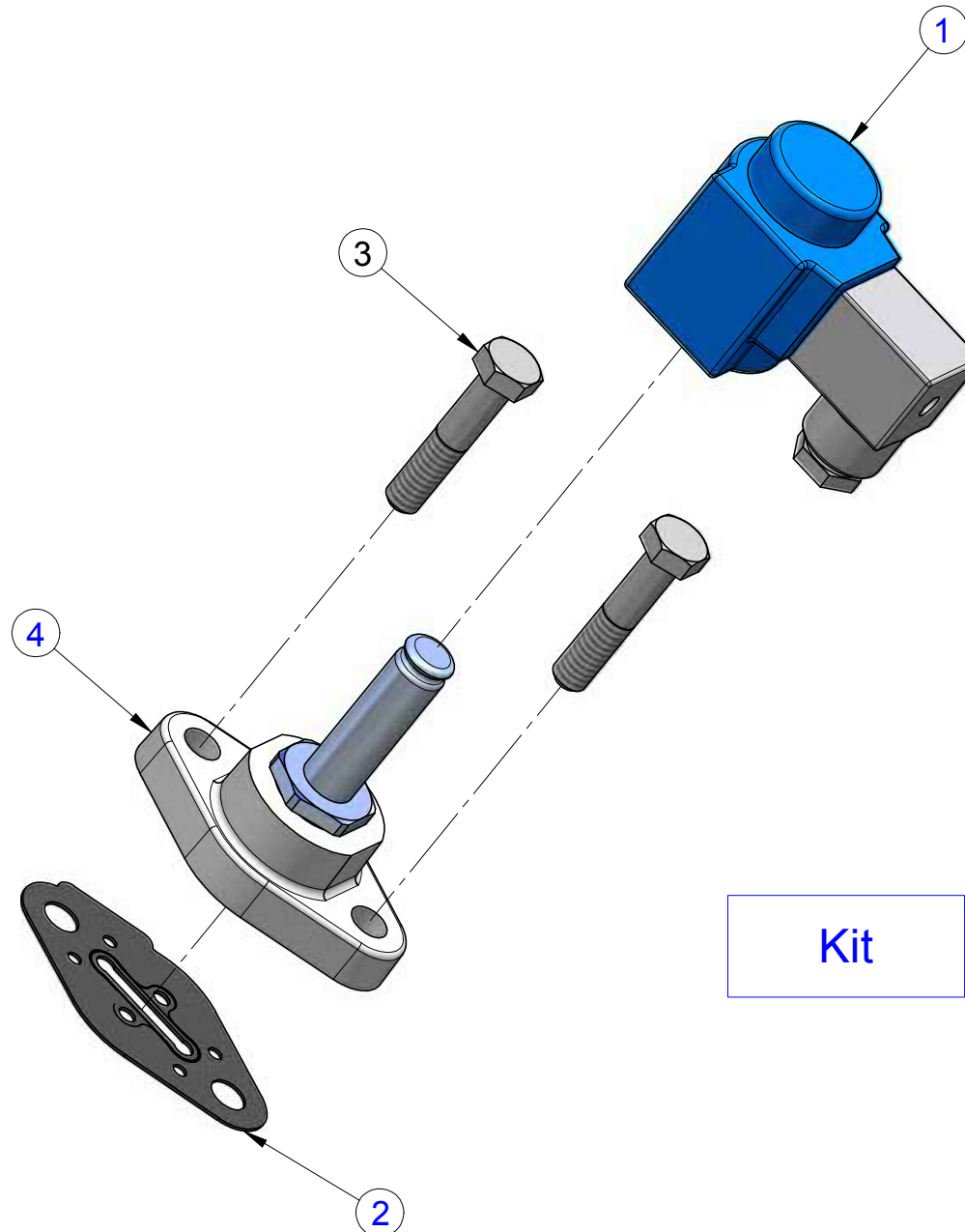
Oil separator

ATTENZIONE: il presente disegno è di esclusiva proprietà REFCOMP.
E' fatto divieto di riproduzione e di divulgazione anche parziale secondo
quanto regolato dalle norme vigenti.

ATTENTION: the present drawing is exclusively ownership of REFCOMP.
Is forbidden to reproduce and to disclose, even if partially, the present
document in conformity to law regulation in force.

Pos	Code	Description	Serial number	Note	Q.ty
1	500261	Tee-piece union 1/8"NPT-1/4"-1/4"SAE			1
2	503336	Charge/discharge assembly shut-off valve 1/4"NPT			1
3	519143	Plug 1/8" NPT			1
4	519203	High pressure cover plate			1
5	519294	Oil separator tie rod			1
6	519295	Punched metal sheet oil separator			2
7	519296	Demister oil separator Ø296x78			1
8	519297	Spacer pipe L=61			1
9	520664	Aluminium ring Ø28.6xØ31.8x2			2
10	533877	Finished oil separator			1
11	580330	Crankcase heater 230V 200W Ø10			1
12	590250	Shut-off valve gasket Ø87.5xØ106.8x1			1
13	592715	Oil separator/rotor housing gasket			1
14	611810	Elastic pin Ø4x20			2
15	612150	Galvanized screw M10x35			8
16	612470	Screw M14x55			20
17	612490	Magnet			3
18	614517	Klock nut M14 galvanized			1
19	700210	Sight glass cover 1"1/8-18UNEF			2

Model: SRC-S-113_133_163

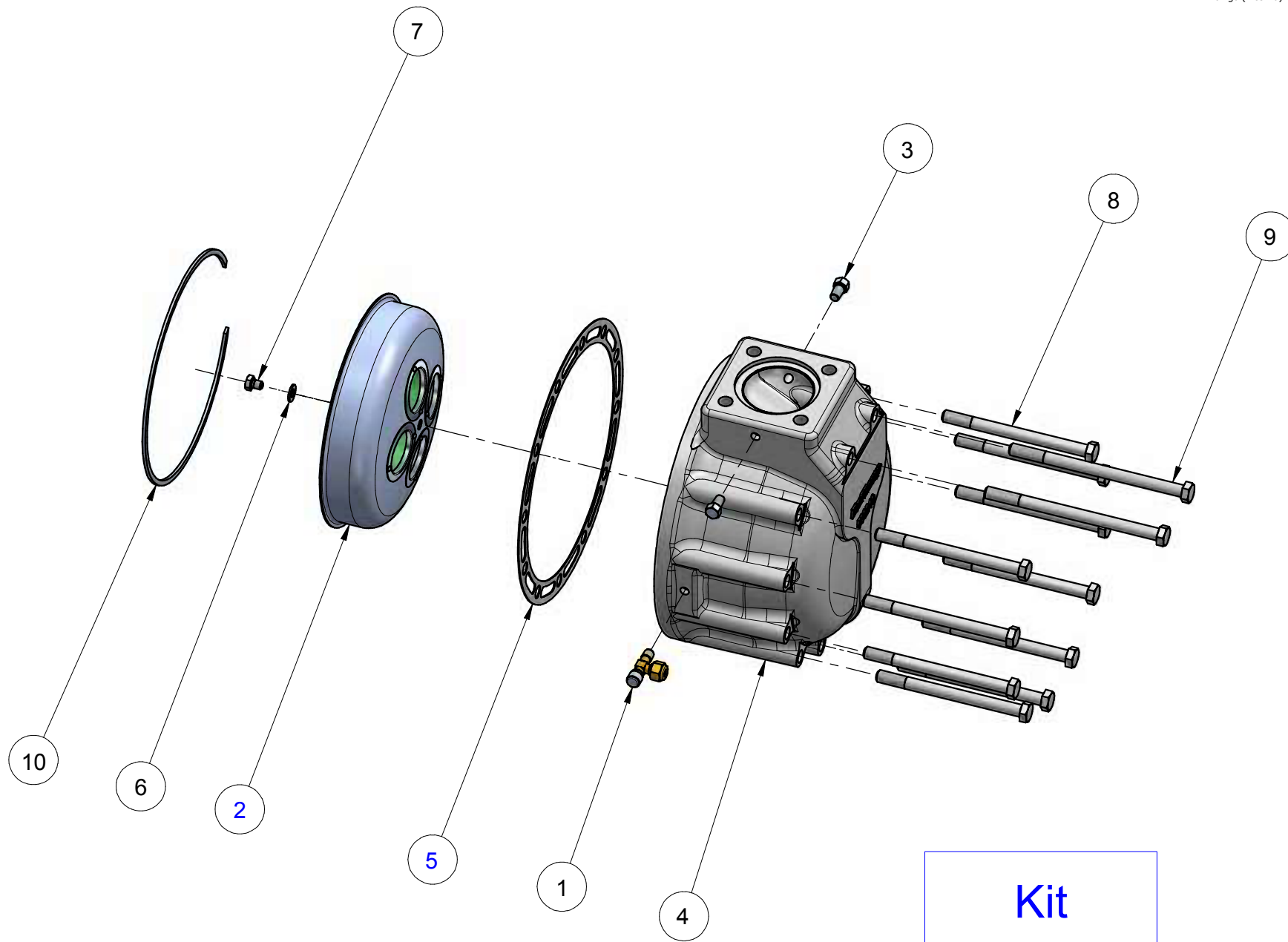


Capacity control solenoid valve

ATTENZIONE: il presente disegno è di esclusiva proprietà REFCOMP.
E' fatto divieto di riproduzione e di divulgazione anche parziale secondo
quanto regolato dalle norme vigenti.

ATTENTION: the present drawing is exclusively ownership of REFCOMP.
Is forbidden to reproduce and to disclose, even if partialy, the present
document in conformity to law regulation in force.

Pos	Code	Description	Serial number	Note	Q.ty
Kit	304123	Solenoid valve kit 230V 50-60Hz R134A			1
1	503330	Coil 230V-50/60Hz			1
2	592731	Solenoid valve gasket l=65			1
3	611370	Screw M10x30			2
4	760450	Solenoid valve			1



Suction cover

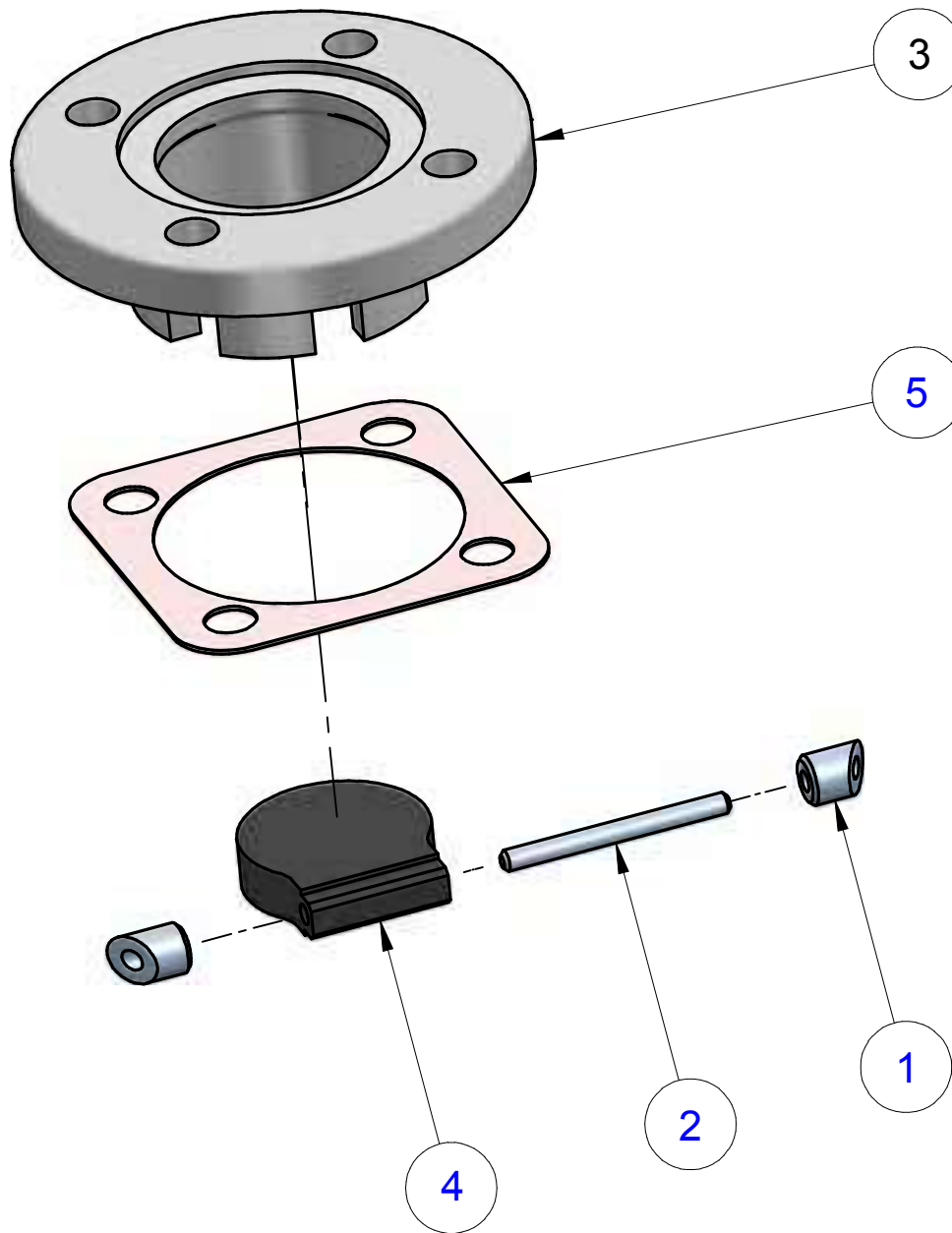
ATTENZIONE: il presente disegno è di esclusiva proprietà REFCOMP. E' fatto divieto di riproduzione e di divulgazione anche parziale secondo quanto regolato dalle norme vigenti.

ATTENTION: the present drawing is exclusively ownership of REFCOMP. Is forbidden to reproduce and to disclose, even if partially, the present document in conformity to law regulation in force.

Pos	Code	Description	Serial number	Note	Q.ty
1	500261	Tee-piece union 1/8"NPT-1/4"-1/4"SAE			1
2	502926	Suction filter Ø223x60			1
3	519143	Plug 1/8" NPT			2
4	533240	Suction cover			1
5	592520	Suction cover gasket Ø285x1			1
6	611000	Plane washer Ø8x17x1.6			1
7	614150	Screw M8x10			1
8	614250	Galvanized screw M12x150			10
9	614260	Galvanized screw M12x180			2
10	614270	Seeger ring			1
Kit	303177	Suction filter kit			1

Suction cover

Model: SRC-S-113_133_163



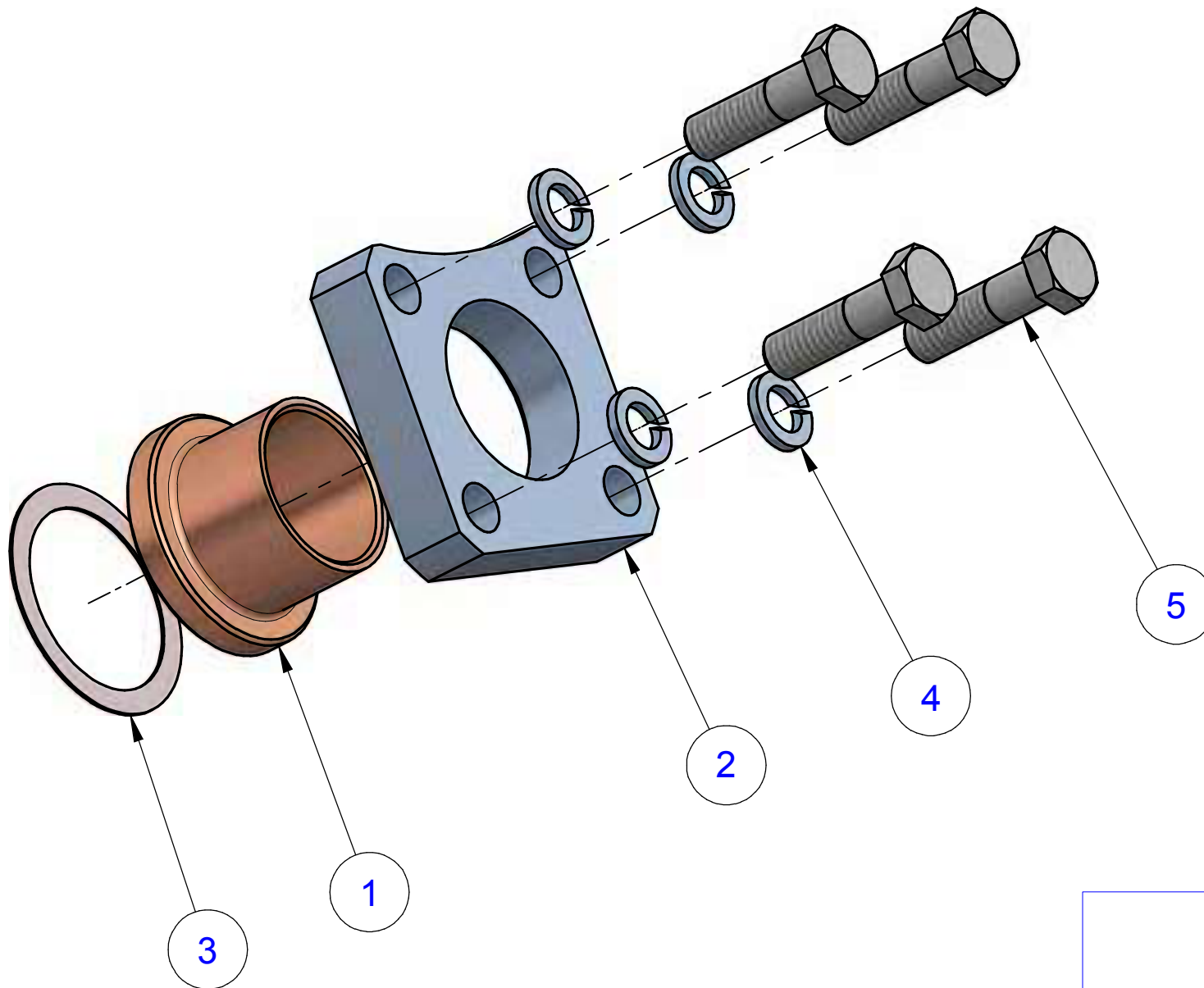
Kit

Check valve

ATTENZIONE: il presente disegno è di esclusiva proprietà REFCOMP. E' fatto divieto di riproduzione e di divulgazione anche parziale secondo quanto regolato dalle norme vigenti.

ATTENTION: the present drawing is exclusively ownership of REFCOMP. Is forbidden to reproduce and to disclose, even if partially, the present document in conformity to law regulation in force.

Pos	Code	Description	Serial number	Note	Q.ty
1	519081	Pin boss Ø8 for chek valve			2
2	519082	Lift valve pin			1
3	533950	Check valve bush			1
4	592760	Check valve			1
5	592771	Check valve bush gasket Ø72			1
Kit	303477	Check valve kit			1



Kit

Suction bush

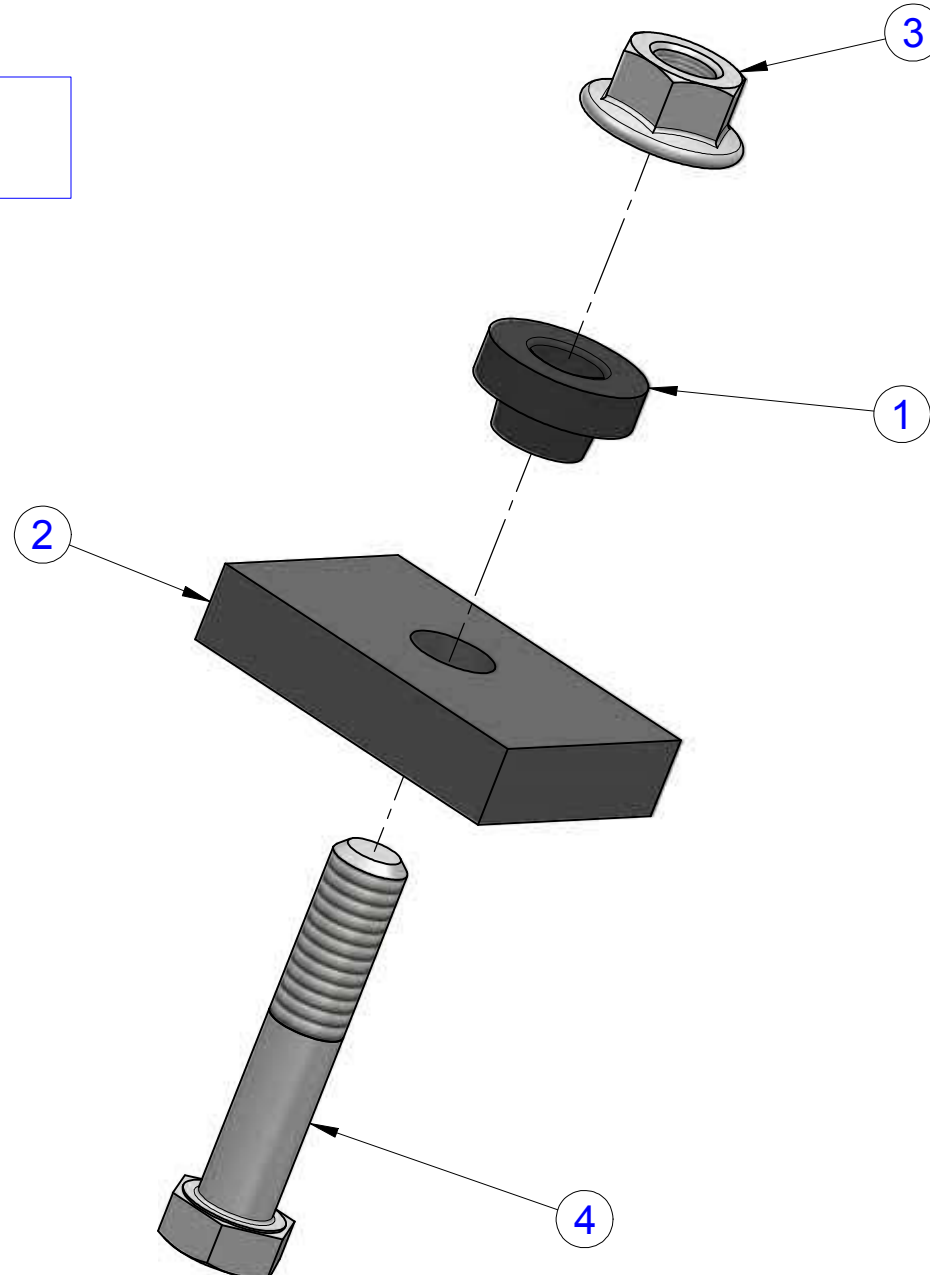
ATTENZIONE: il presente disegno è di esclusiva proprietà REFCOMP. E' fatto divieto di riproduzione e di divulgazione anche parziale secondo quanto regolato dalle norme vigenti.

ATTENTION: the present drawing is exclusively ownership of REFCOMP. Is forbidden to reproduce and to disclose, even if partially, the present document in conformity to law regulation in force.

Pos	Code	Description	Serial number	Note	Q.ty
1	511160	Bush Ø54			1
2	511170	Square flange l=78 Ø64			1
3	590260	Shut-off valve gasket Ø65xØ82x1			1
4	610940	Galvanized grower washer M16			4
5	611620	Galvanized screw M16x60			4
Kit	304179	Flange + bush kit Ø54			1

Model: SRC-S-113_133_163

Kit



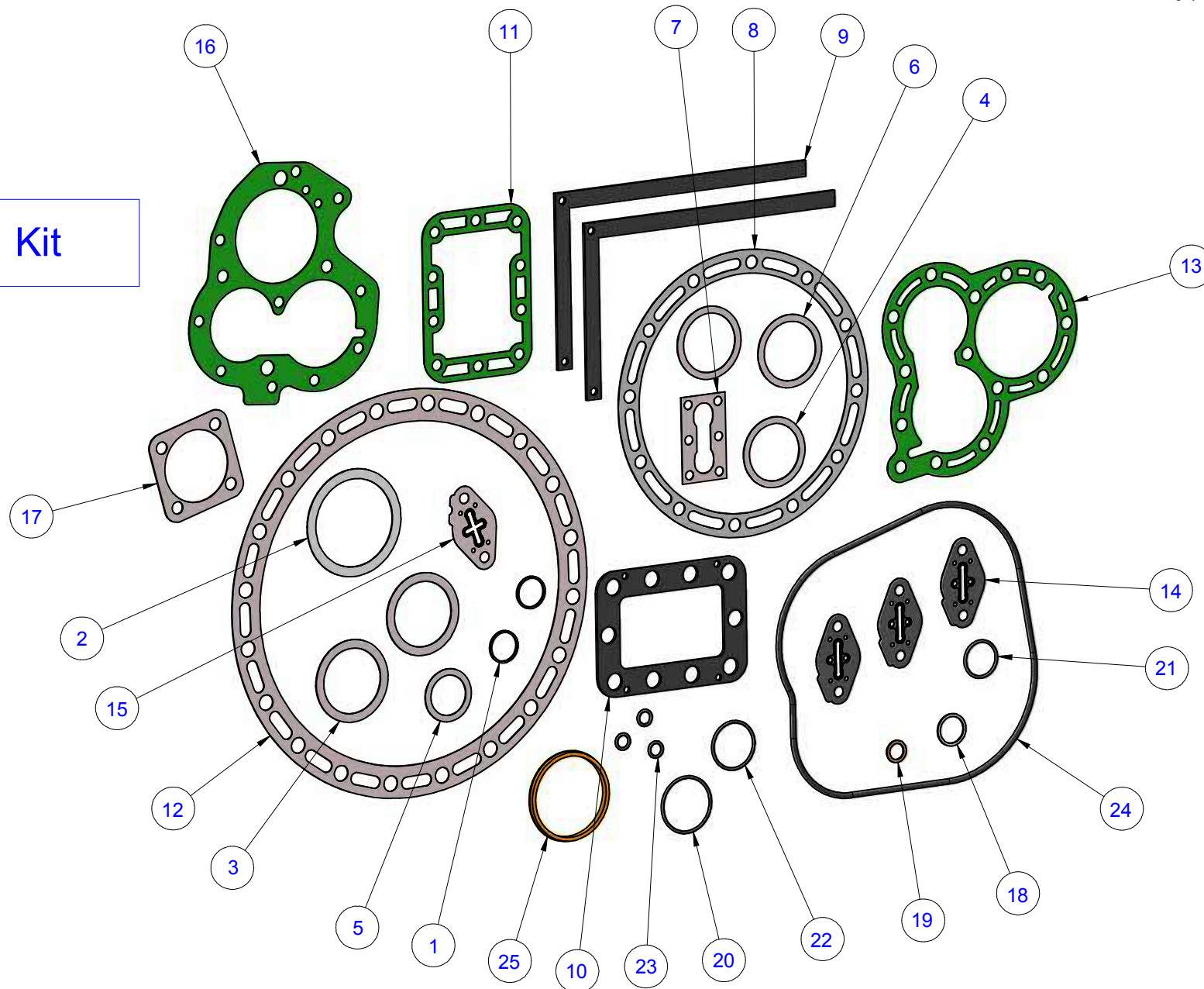
Dumpers

ATTENZIONE: il presente disegno è di esclusiva proprietà REFCOMP.
E' fatto divieto di riproduzione e di divulgazione anche parziale secondo
quanto regolato dalle norme vigenti.

ATTENTION: the present drawing is exclusively ownership of REFCOMP.
Is forbidden to reproduce and to disclose, even if partialy, the present
document in conformity to law regulation in force.

Pos	Code	Description	Serial number	Note	Q.ty
1	592742	Dumper bush			4
2	592749	Dumper (60°sh)			4
3	614517	Klock nut M14 galvanized			4
4	614525	Galvanized screw M14x70			4
Kit	303243	Rubber dumpers kit			1

Kit



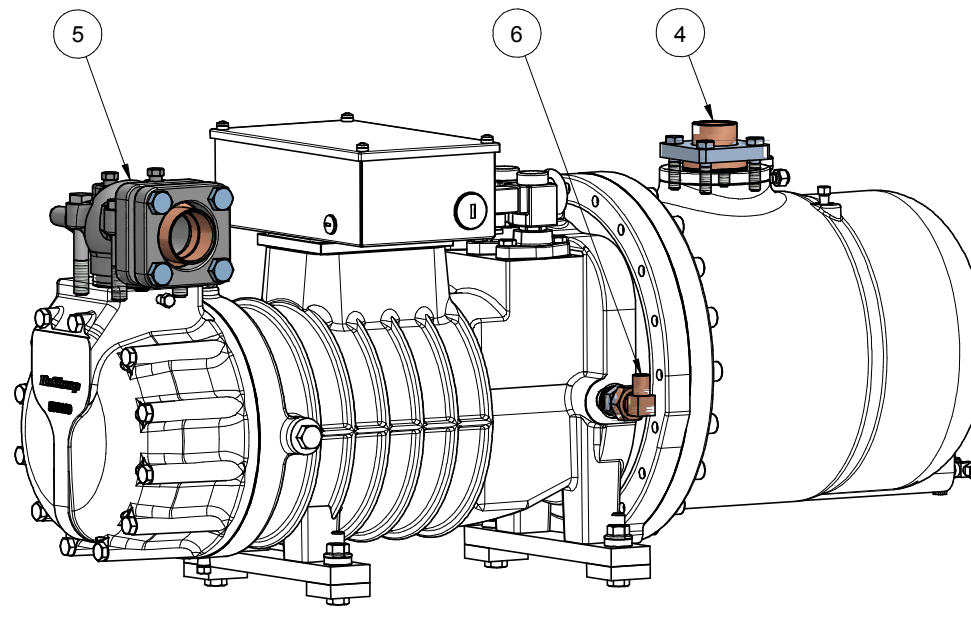
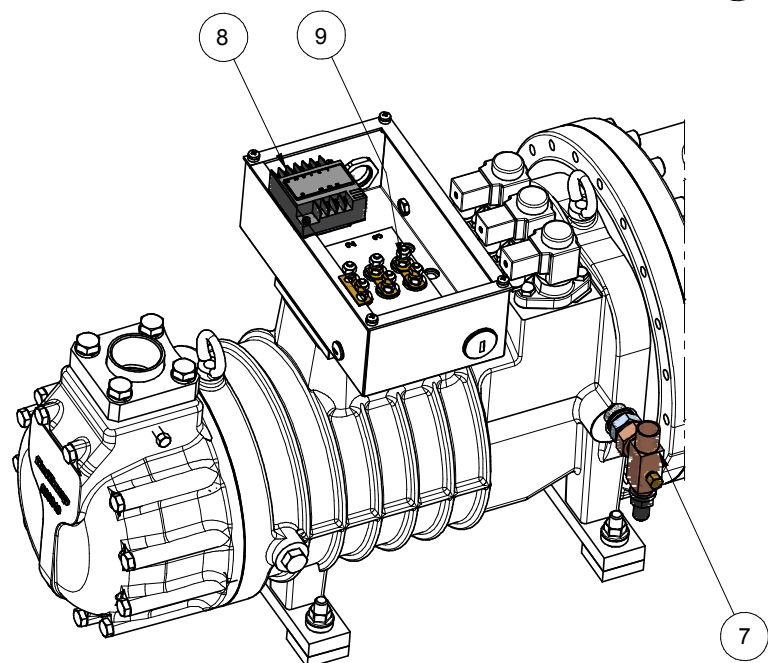
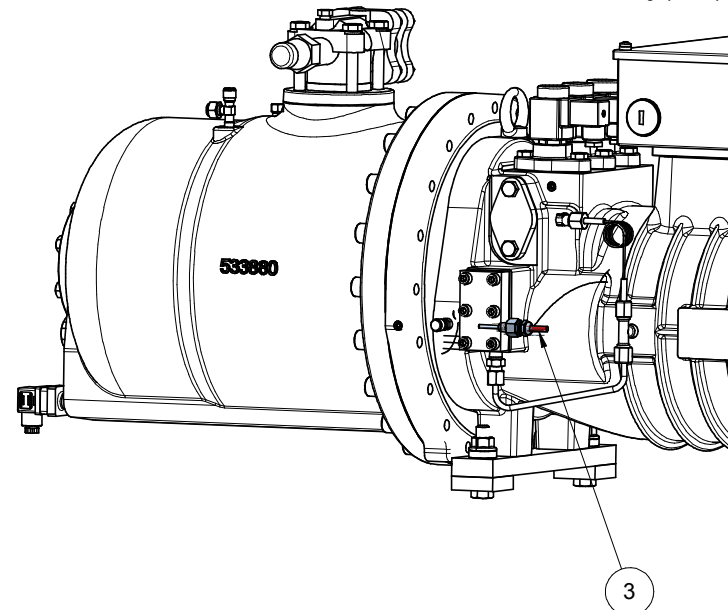
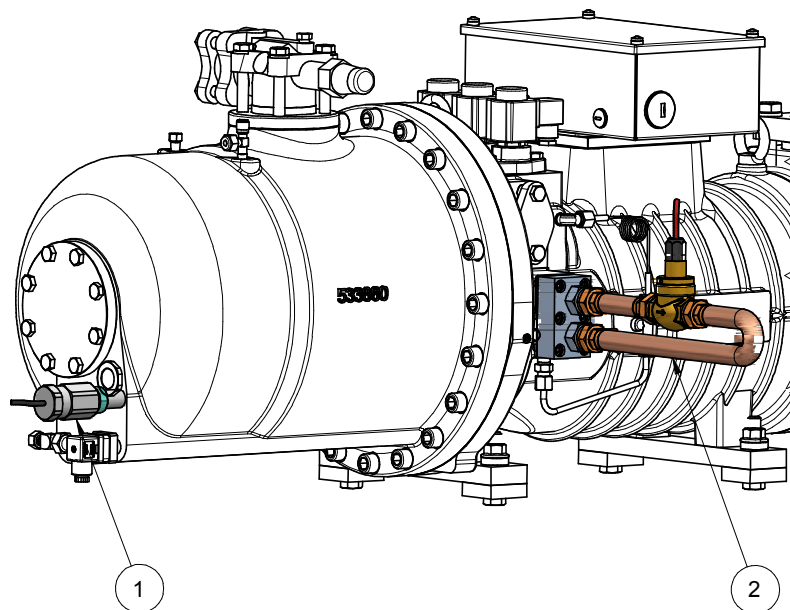
Gaskets

ATTENZIONE: il presente disegno è di esclusiva proprietà REFCOMP. E' fatto divieto di riproduzione e di divulgazione anche parziale secondo quanto regolato dalle norme vigenti.

ATTENTION: the present drawing is exclusively ownership of REFCOMP. Is forbidden to reproduce and to disclose, even if partially, the present document in conformity to law regulation in force.

Pos	Code	Description	Serial number	Note	Q.ty
1	520664	Aluminium ring Ø28.6xØ31.8x2			2
2	590250	Shut-off valve gasket Ø87.5xØ106.8x1			1
3	590260	Shut-off valve gasket Ø65xØ82x1			2
4	590790	Shut-off valve gasket Ø57xØ70x1			1
5	591010	Shut-off valve gasket Ø40xØ52.5x1			1
6	591120	Shut-off valve gasket Ø59xØ72.5x1			2
7	591610	Oil cooling connecting plate gasket 'SRC-S-113/213'			1
8	592520	Suction cover gasket Ø285x1			1
9	592630	Electric box cover gasket			2
10	592640	Electric box lower gasket			1
11	592650	Terminal plate gasket			1
12	592715	Oil separator/rotor housing gasket			1
13	592716	Bearing housing cover gasket			1
14	592731	Solenoid valve gasket l=65			3
15	592732	Step load gasket 'L4'			1
16	592758	Bearing cover gasket			1
17	592771	Check valve bush gasket Ø72			1
18	613840	Aluminium washer Ø26.5xØ32x1.5			1
19	680030	Copper washer Ø16x22x1.5			1
20	690050	O-ring OR3206			1
21	690080	O-ring OR3131			1
22	691040	O-ring OR3175			1
23	691081	O-ring OR115			3
24	691126	O-ring OR61150			1
25	691140	Gasket			1
Kit	303180	Gasket kit			1

Model: SRC-S-113_133_163



Optional

ATTENZIONE: il presente disegno è di esclusiva proprietà REFCOMP.
E' fatto divieto di riproduzione e di divulgazione anche parziale secondo
quanto regolato dalle norme vigenti.

ATTENTION: the present drawing is exclusively ownership of REFCOMP.
Is forbidden to reproduce and to disclose, even if partially, the present
document in conformity to law regulation in force.

Pos	Code	Description	Serial number	Note	Q.ty
1	303549	Optical level oil kit sensor			1
2	303674	Oil flow switch kit without motor protector INT69VS			1
2	303816	Oil flow switch kit with motor protector INT69VS 230V			1
2	304088	Oil flow switch kit with motor protector INT69VS 110V			1
2	304089	Oil flow switch kit with motor protector INT69VS 24V			1
3	303532	Temperature probe kit 120°C			1
4	304180	Flange + bush kit Ø42		Standard Kit	1
5	303972	Shut-off valve kit I=78 Ø42			1
5	303973	Shut-off valve kit I=78 Ø54		Standard Kit	1
5	304011	Shut-off valve kit I=78 Ø67			1
6	303134	Liquid injection kit			1
7	303150	ECO shut-off valve kit			1
8	303170	Motor protector kit			1
9	303167	Direct starting kit I=33			1

Optional