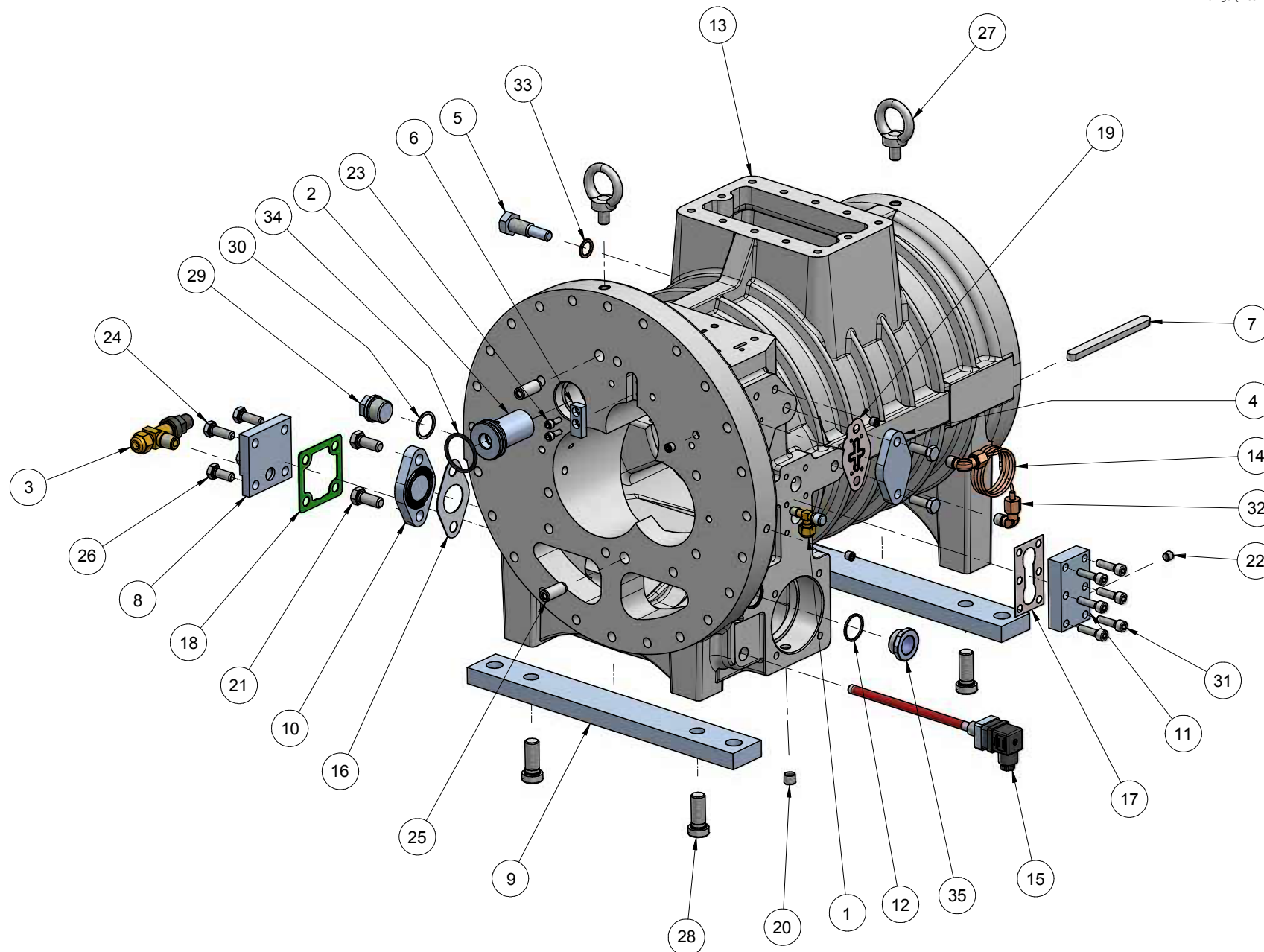


Gasket Kit Optional

SRC-S-183_213

ATTENZIONE: il presente disegno è di esclusiva proprietà REFCOMP. E' fatto divieto di riproduzione e di divulgazione anche parziale secondo quanto regolato dalle norme vigenti.

ATTENTION: the present drawing is exclusively ownership of REFCOMP. Is forbidden to reproduce and to disclose, even if partially, the present document in conformity to law regulation in force.



SRC-S-183_213 Rotor housing

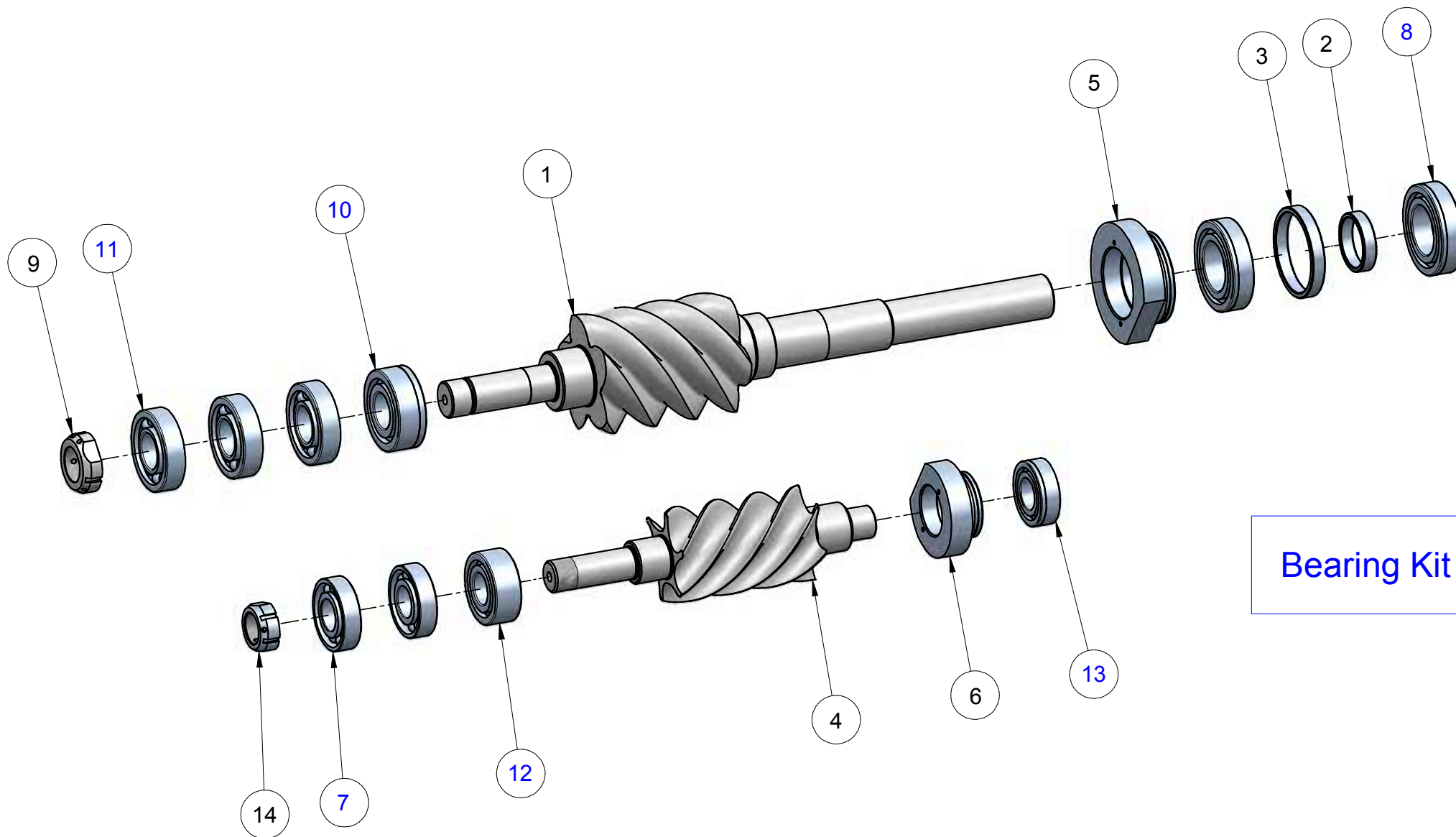
ATTENZIONE: il presente disegno è di esclusiva proprietà REFCOMP. E' fatto divieto di riproduzione e di divulgazione anche parziale secondo quanto regolato dalle norme vigenti.

ATTENTION: the present drawing is exclusively ownership of REFCOMP. Is forbidden to reproduce and to disclose, even if partially, the present document in conformity to law regulation in force.

Pos	Code	Description	Serial number	Note	Q.ty
1	500261	Tee-piece union 1/8"NPT-1/4"-1/4"SAE			1
2	502570	Safety valve 30bar Ø38			1
3	503335	3/8"NPT oil discharge valve assembly			1
4	510170	Closing oval plate l=65			1
5	513220	Stator fixing screw L=55			1
6	514660	Key 16x10x38			1
7	514760	Key 11.95x8x140			1
8	514790	Oil discharge cover 3/8"NPT			1
9	515190	Compressor supporting plate			2
10	518270	Closing oval plate l=70			1
11	519299	Oil and probe connection plate "SRC-S-113/213 series"			1
12	520664	Aluminium ring Ø28.6xØ31.8x2			1
13	533869	Rotor housing			1
14	540701	Capillary L=838 Ø1.78			1
15	580330	Crankcase heater 230V 200W Ø10			1
16	591030	Oval flange gasket l=70			1
17	591610	Oil cooling connecting plate gasket 'SRC-S-113/213'			1
18	592730	Closing plate gasket 75x75			1
19	592732	Step load gasket 'L4'			1
20	610050	Plug 1/4"NPT			1
21	610640	Screw M12x30			2
22	610680	Plug 1/8"NPT			4
23	611120	Screw M6x16			2
24	611370	Screw M10x30			4
25	611940	Cylindrical pin Ø14x35			2
26	612160	Screw M10x25			2
27	612480	Eyebolt M12			2
28	613420	Screw M16x40			4
29	613830	Plug M26x1.5			1
30	613840	Aluminium washer Ø26.5xØ32x1.5			1
31	614538	Screw M8x30			6
32	640610	90° connection 1/4"NPT			2
33	680030	Copper washer Ø16x22x1.5			1
34	691030	O-ring OR144			1
35	700210	Sight glass cover 1"1/8-18UNEF			1

SRC-S-183_213 Rotor housing

www.refcomp.it
spareparts@refcomp.it

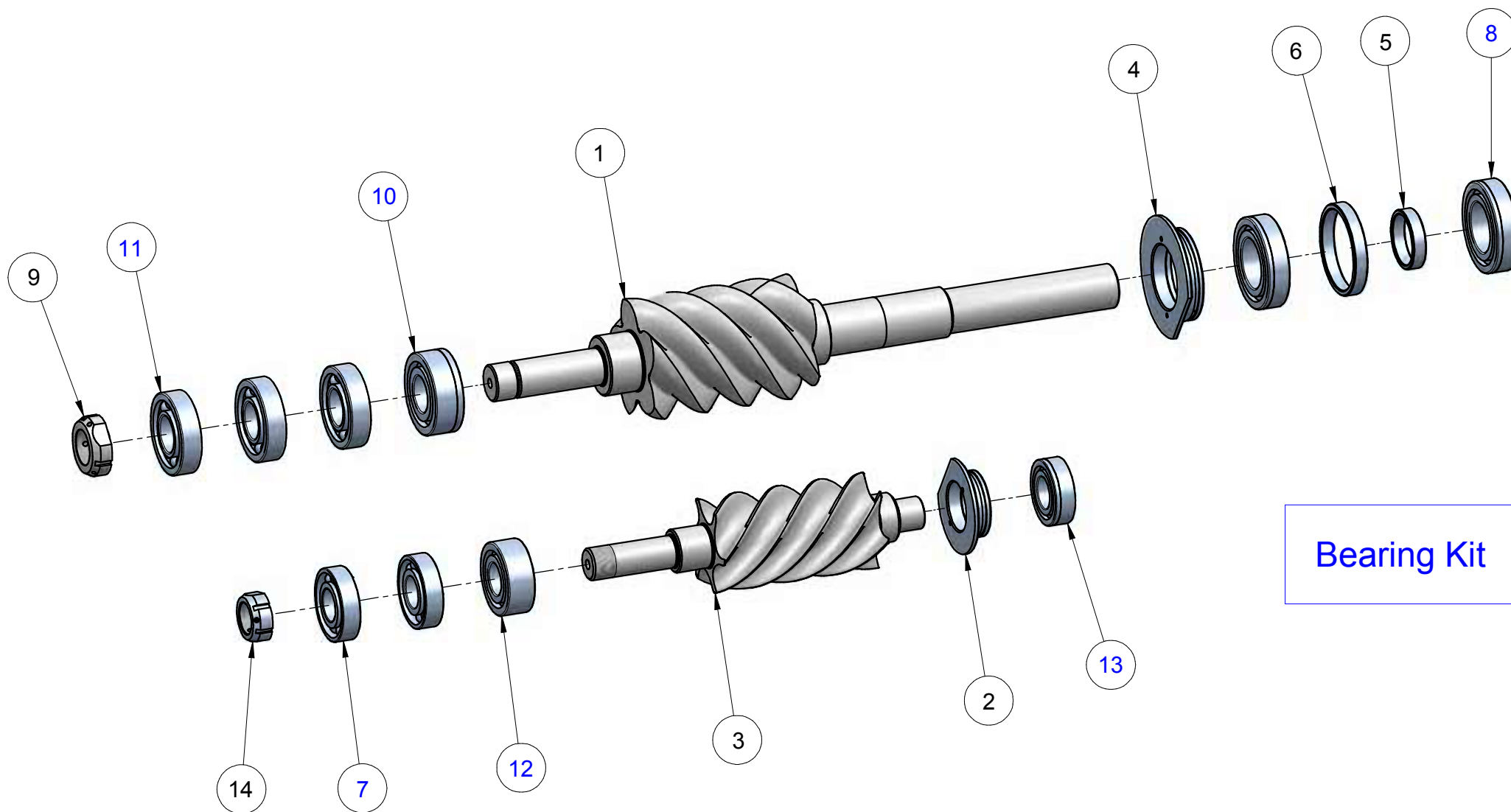


SRC-S-183 Rotor

ATTENZIONE: il presente disegno è di esclusiva proprietà REFCOMP. E' fatto divieto di riproduzione e di divulgazione anche parziale secondo quanto regolato dalle norme vigenti.

ATTENTION: the present drawing is exclusively ownership of REFCOMP. Is forbidden to reproduce and to disclose, even if partially, the present document in conformity to law regulation in force.

Pos	Code	Description	Serial number	Note	Q.ty
1	502991	Male rotor 'SRC-S-183' series			1
2	518999	Bearing internal spacer Ø55xØ65x15			1
3	519000	Bearing external spacer Ø88xØ100x15			1
4	519114	Female rotor 'SRC-S-183' series			1
5	519166	Male rotor suction bush 'SRC-S-183' series			1
6	519167	Female rotor suction bush 'SRC-S-183' series			1
7	612370	Ball bearing			2
8	613650	Cylindrical roller bearing			2
9	613990	Block nut M40x1.5			1
10	614000	Cylindrical roller bearing			1
11	614010	Ball bearing			3
12	614100	Cylindrical roller bearing			1
13	614465	Cylindrical roller bearing			1
14	614467	Block nut M35x1.5			1
Kit	303365	Bearings kit			1



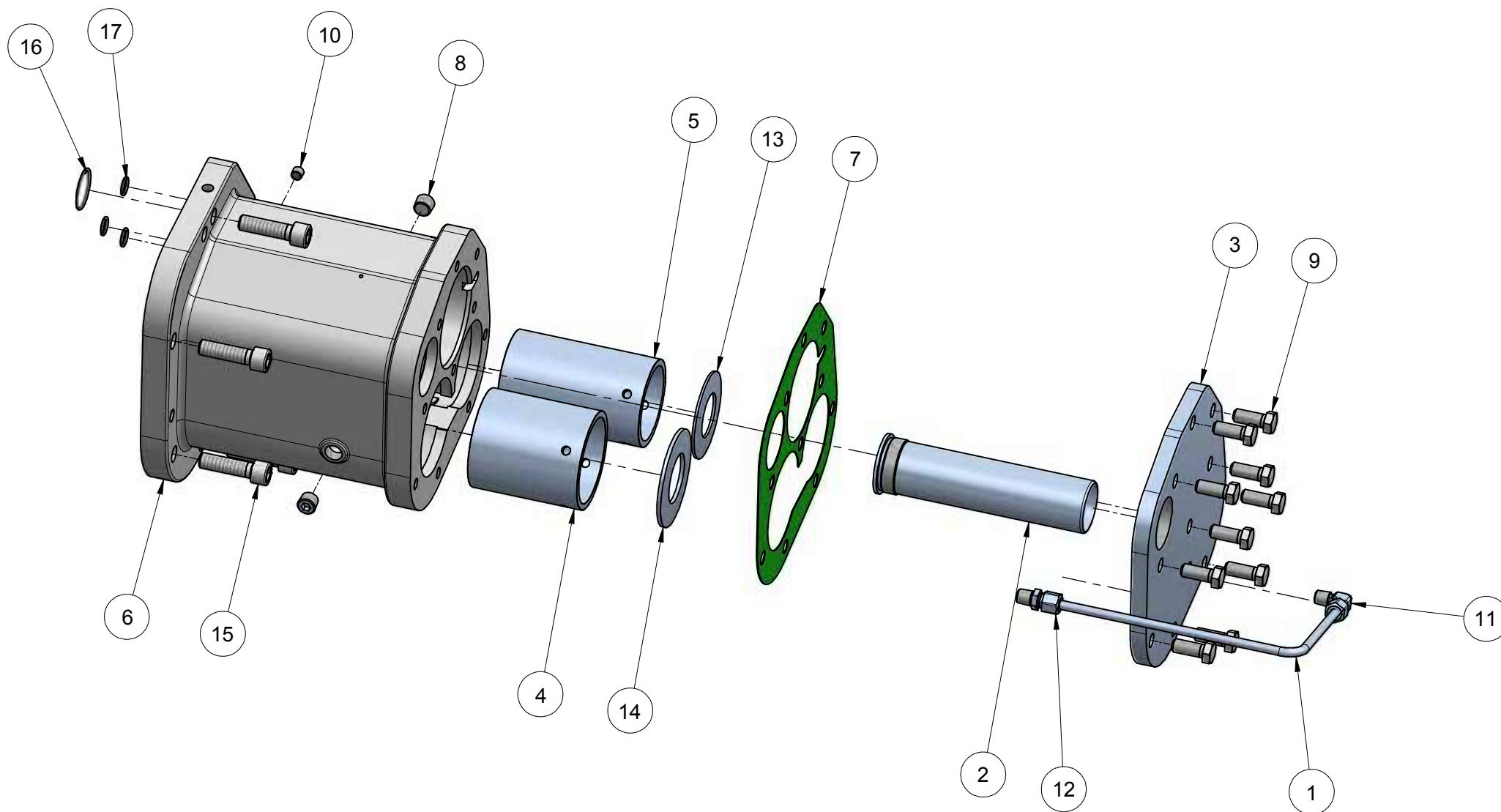
Bearing Kit

SRC-S-213 Rotor

ATTENZIONE: il presente disegno è di esclusiva proprietà REFCOMP. E' fatto divieto di riproduzione e di divulgazione anche parziale secondo quanto regolato dalle norme vigenti.

ATTENTION: the present drawing is exclusively ownership of REFCOMP. Is forbidden to reproduce and to disclose, even if partialy, the present document in conformity to law regulation in force.

Pos	Code	Description	Serial number	Note	Q.ty
1	502992	Male rotor 'SRC-S-213' series			1
2	518973	Female rotor suction bush 'SRC-S-213' series			1
3	518989	Female rotor 'SRC-S-213' series			1
4	518996	Male rotor suction bush 'SRC-S-213' series			1
5	518999	Bearing internal spacer Ø55xØ65x15			1
6	519000	Bearing external spacer Ø88xØ100x15			1
7	612370	Ball bearing			2
8	613650	Cylindrical roller bearing			2
9	613990	Block nut M40x1.5			1
10	614000	Cylindrical roller bearing			1
11	614010	Ball bearing			3
12	614100	Cylindrical roller bearing			1
13	614465	Cylindrical roller bearing			1
14	614467	Block nut M35x1.5			1
Kit	303365	Bearings kit			1



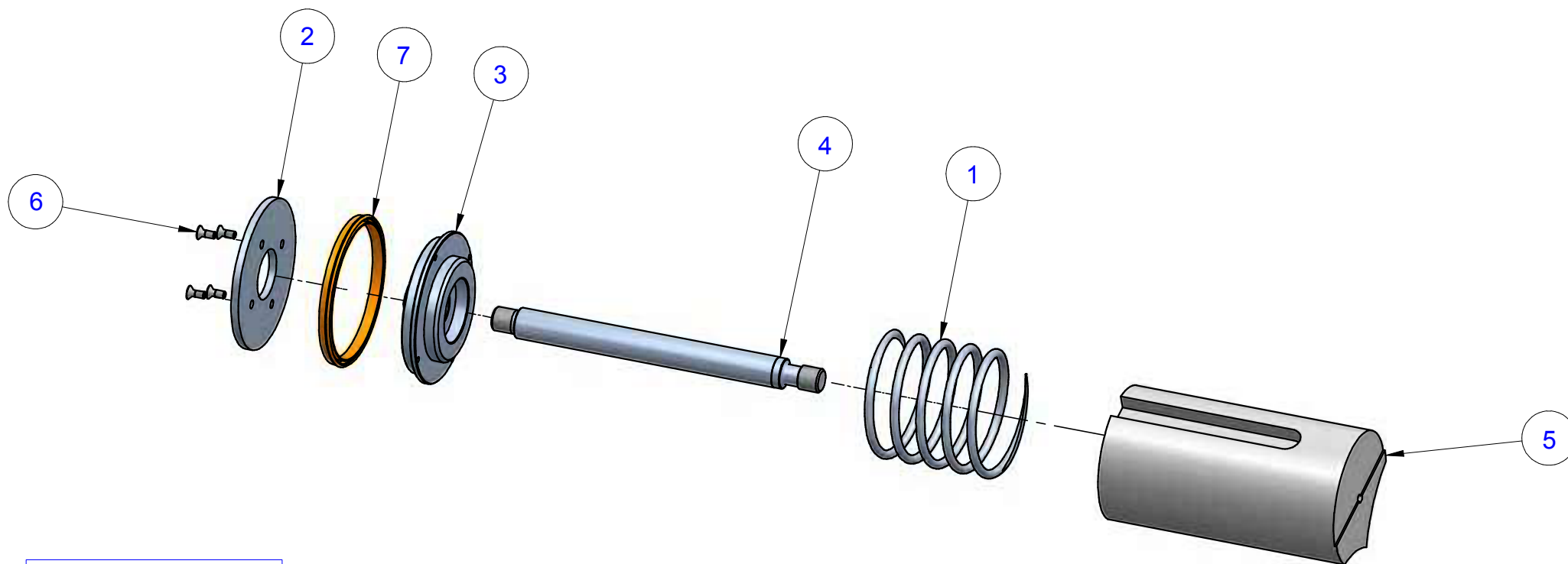
Bearing housing

ATTENZIONE: il presente disegno è di esclusiva proprietà REFCOMP. E' fatto divieto di riproduzione e di divulgazione anche parziale secondo quanto regolato dalle norme vigenti.

ATTENTION: the present drawing is exclusively ownership of REFCOMP. Is forbidden to reproduce and to disclose, even if partially, the present document in conformity to law regulation in force.

Pos	Code	Description	Serial number	Note	Q.ty
1	519076	Oil return pipe			1
2	519184	Discharge pipe			1
3	519257	Bearing housing cover			1
4	519314	Spacer stationary rotor Ø90.7x102.6			1
5	519315	Spacer stationary rotor Ø80.7x132.6			1
6	533852	Bearing housing			1
7	592752	Bearing housing cover gasket			1
8	610250	Plug 3/8"NPT			2
9	610640	Screw M12x30			10
10	610680	Plug 1/8"NPT			1
11	612400	90° connection 1/4"NPT			1
12	612770	Straight connection 1/4"NPT			1
13	613010	Conical spring washer Ø41xØ80x2.25			1
14	613810	Conical spring Ø46xØ90x3.5			1
15	614506	Screw M14x50			6
16	690080	O-ring OR3131			1
17	691081	O-ring OR115			3

Bearing housing



Kit

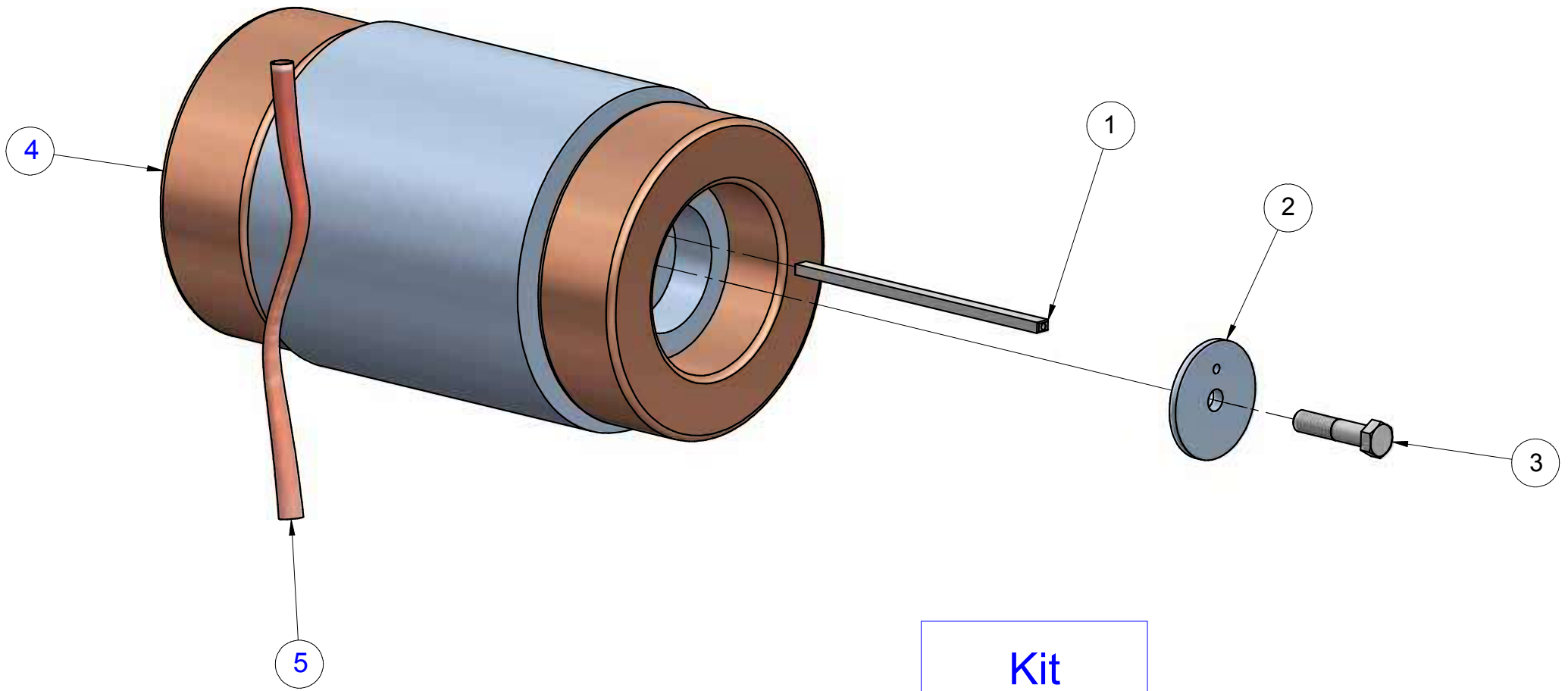
Slide valve

ATTENZIONE: il presente disegno è di esclusiva proprietà REFCOMP. E' fatto divieto di riproduzione e di divulgazione anche parziale secondo quanto regolato dalle norme vigenti.

ATTENTION: the present drawing is exclusively ownership of REFCOMP. Is forbidden to reproduce and to disclose, even if partialy, the present document in conformity to law regulation in force.

Pos	Code	Description	Serial number	Note	Q.ty
1	514690	Spring slide valve			1
2	514800	Front part control piston			1
3	518930	Control piston Ø90			1
4	519188	Control piston rod L=166			1
5	533787	Slide valve Vi=2.6			1
6	612980	Screw M4x10			4
7	691140	Gasket			1
Kit	303403	Slide valve kit Vi=2.6			1
Kit	303404	Slide valve kit Vi=2.6			1
Kit	303416	Slide valve kit Vi=3.2			1
Kit	303417	Slide valve kit Vi=3.2			1
5	519637	Slide valve Vi=2.2			1
5	519638	Slide valve Vi=2.2			1
5	533786	Slide valve Vi=2.6			1
5	533809	Slide valve Vi=3.2			1
5	533810	Slide valve Vi=4.4			1
5	533811	Slide valve Vi=3.2			1

Slide valve



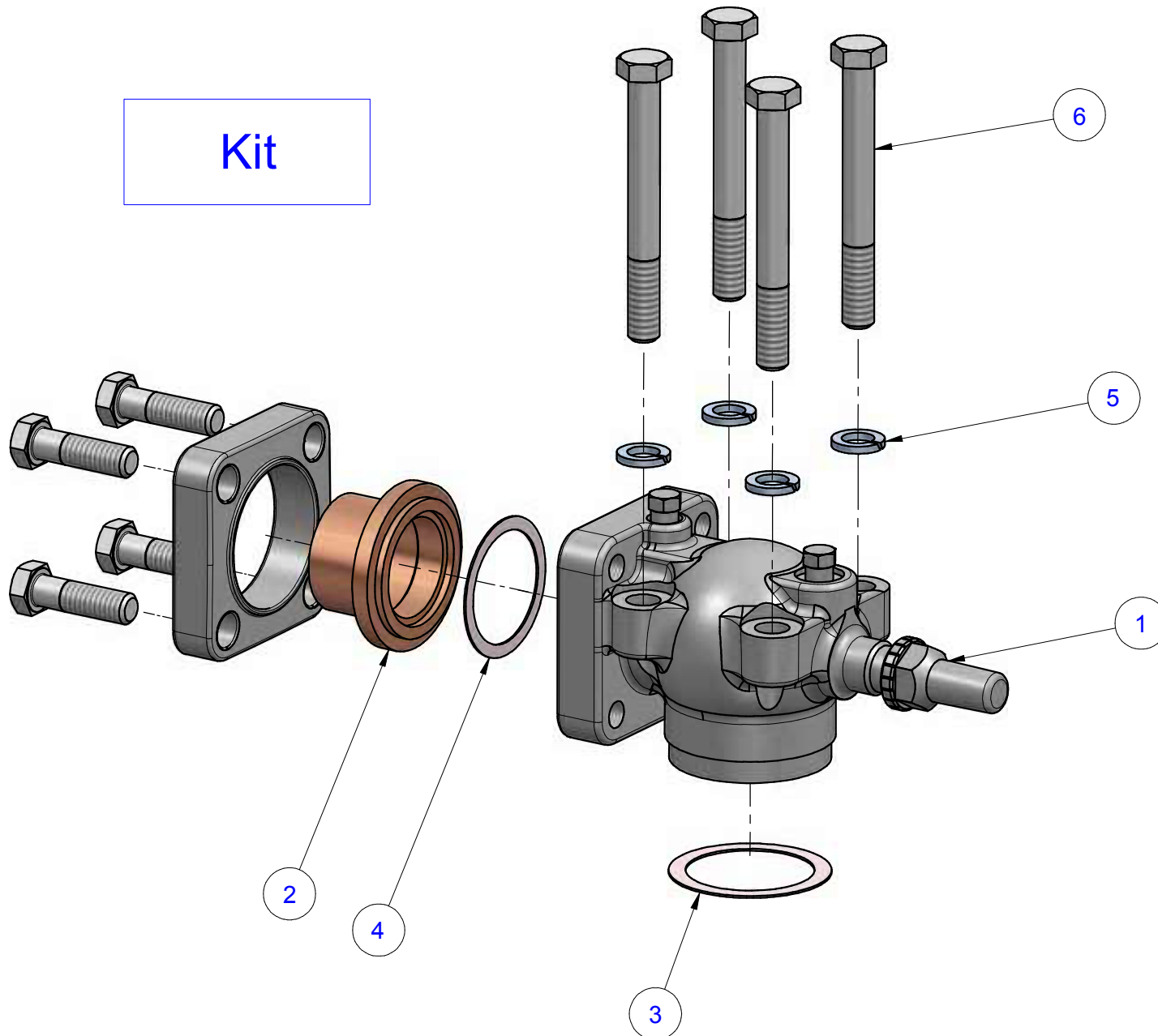
Electrical motor

ATTENZIONE: il presente disegno è di esclusiva proprietà REFCOMP. E' fatto divieto di riproduzione e di divulgazione anche parziale secondo quanto regolato dalle norme vigenti.

ATTENTION: the present drawing is exclusively ownership of REFCOMP. Is forbidden to reproduce and to disclose, even if partialy, the present document in conformity to law regulation in force.

Pos	Code	Description	Serial number	Note	Q.ty
3	614140	Screw M16x70			1
1	519089	Key 12x8x197			1
2	519333	Rotor fixing washer			1
4	583787	Electric motor 400V/3/50Hz PW			1
5	690240	Shrink sleeve Ø18			1
Kit	304185	Electric motor kit 400V/3/50Hz PW			1
Kit	304186	Electric motor kit 400V/3/50Hz PW			1
4	583788	Electric motor 400V/3/50Hz PW			1

Kit



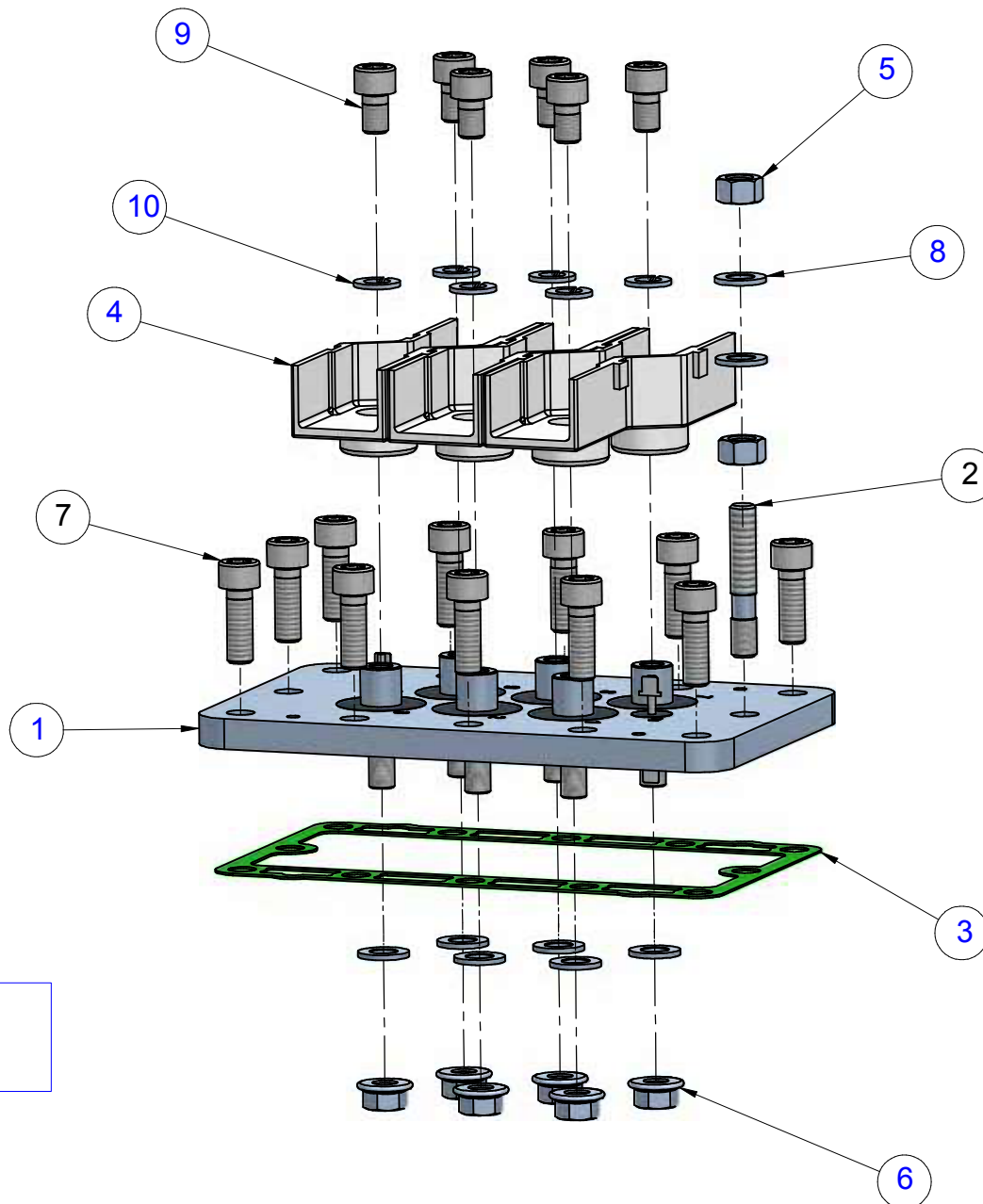
Discharge shut-off valve

ATTENZIONE: il presente disegno è di esclusiva proprietà REFCOMP. E' fatto divieto di riproduzione e di divulgazione anche parziale secondo quanto regolato dalle norme vigenti.

ATTENTION: the present drawing is exclusively ownership of REFCOMP. Is forbidden to reproduce and to disclose, even if partially, the present document in conformity to law regulation in force.

Pos	Code	Description	Serial number	Note	Q.ty
1	500190	Shut-off valve l=78			1
2	519429	Bush Ø35			1
2	514020	Bush Ø42			1
2	513470	Bush Ø54		Standard	1
2	513480	Bush Ø67			1
3	590260	Shut-off valve gasket Ø65xØ82x1			1
4	591120	Shut-off valve gasket Ø59xØ72.5x1			1
5	610940	Galvanized grower washer M16			4
6	611680	Galvanized screw M16x140			4
Kit	303972	Shut-off valve kit l=78 Ø42			1
Kit	303973	Shut-off valve kit l=78 Ø54		Standard Kit	1
Kit	304011	Shut-off valve kit l=78 Ø67			1

Discharge shut-off valve



Kit

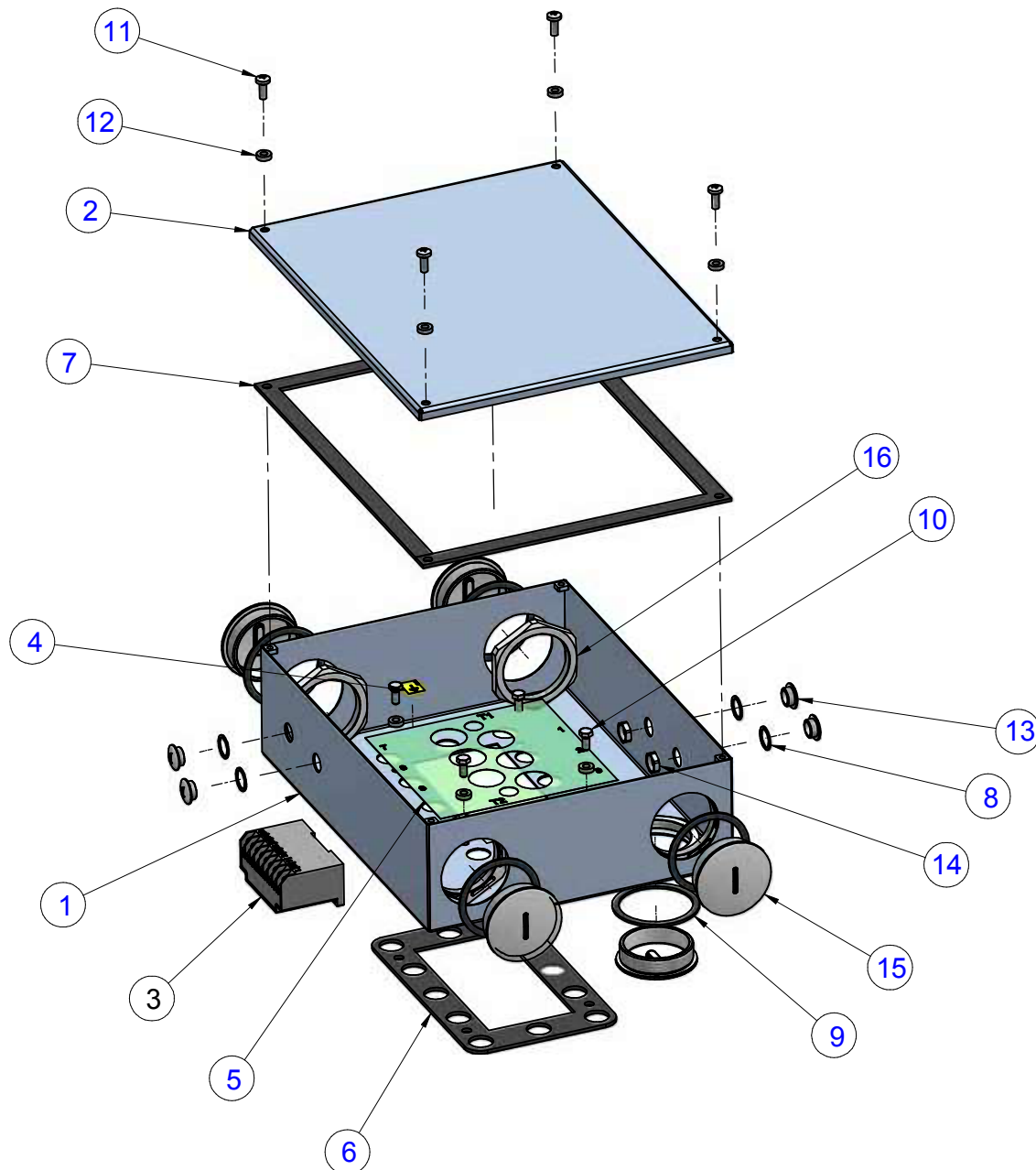
Terminal plate

ATTENZIONE: il presente disegno è di esclusiva proprietà REFCOMP. E' fatto divieto di riproduzione e di divulgazione anche parziale secondo quanto regolato dalle norme vigenti.

ATTENTION: the present drawing is exclusively ownership of REFCOMP. Is forbidden to reproduce and to disclose, even if partially, the present document in conformity to law regulation in force.

Pos	Code	Description	Serial number	Note	Q.ty
Kit	303775	Terminal plate kit '134-S-110/120/140' series			1
1	502190	Terminal plate			1
2	512080	Tie rod M10x60			1
3	592240	Terminal plate gasket			1
4	592787	Double isolator			3
5	610820	Galvanized nut M10			2
6	613250	Klock nut M10 galvanized			6
7	613900	Galvanized screw M10x30			11
8	613910	Plane washer Ø10.5xØ20x2			8
9	613940	Screw M10x16			6
10	613950	Grower washer M10			6

Terminal plate



Kit

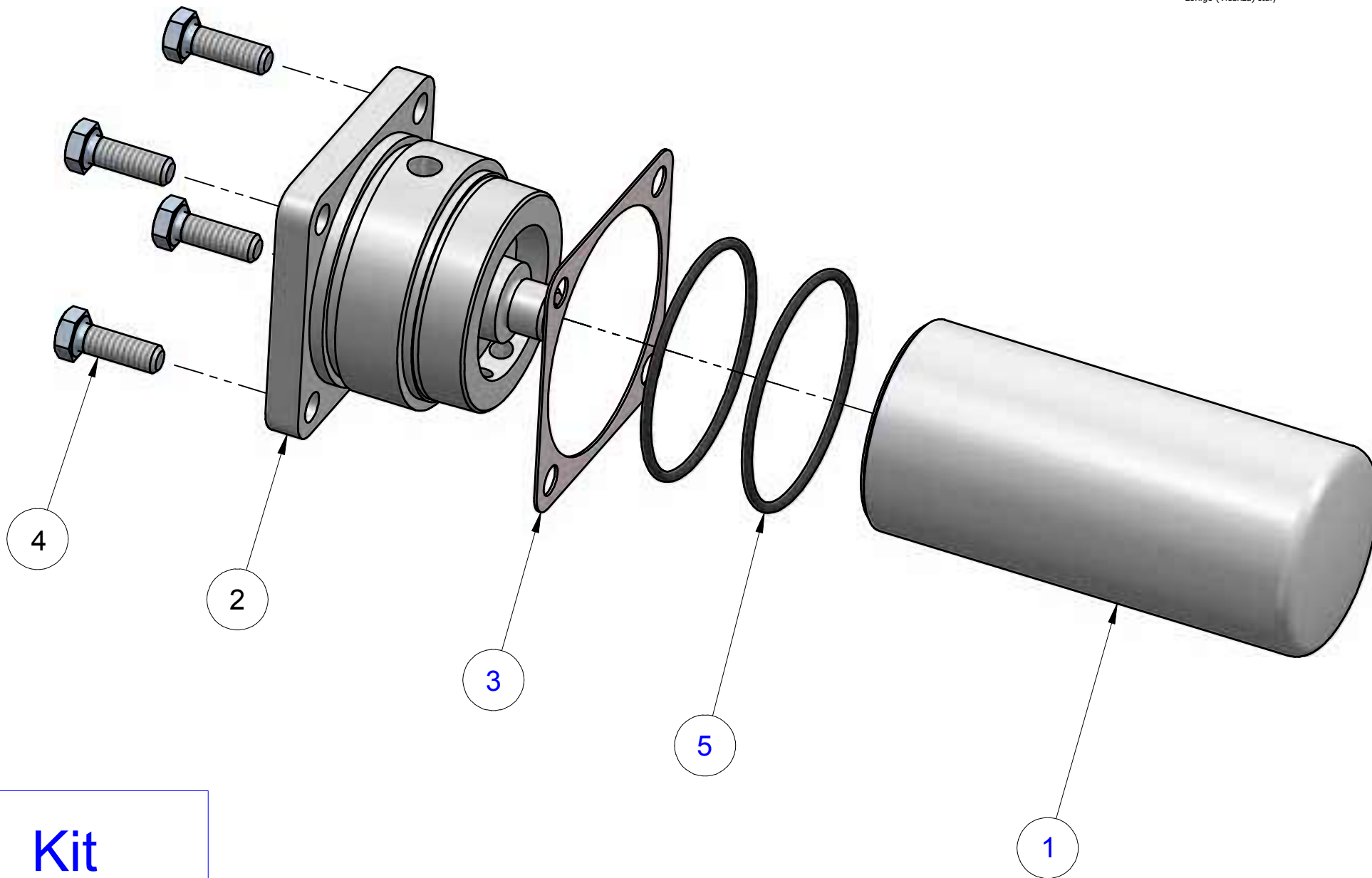
Terminal box

ATTENZIONE: il presente disegno è di esclusiva proprietà REFCOMP. E' fatto divieto di riproduzione e di divulgazione anche parziale secondo quanto regolato dalle norme vigenti.

ATTENTION: the present drawing is exclusively ownership of REFCOMP. Is forbidden to reproduce and to disclose, even if partially, the present document in conformity to law regulation in force.

Pos	Code	Description	Serial number	Note	Q.ty
3	303170	Motor protector kit			1
Kit	303375	Electric box kit '134-S-110/120/140' series			1
1	502200	Electric box			1
2	502210	Electric box cover			1
4	585220	Ground label			1
5	592260	Terminal electric scheme			1
6	592270	Terminal box gasket			1
7	592280	Terminal box cover gasket			2
8	592826	Rubber washer gasket ISO 16			4
9	592830	Rubber washer ISO 63			5
10	611150	Galvanized screw M6x14			4
11	613960	Galvanized screw M6x16			4
12	691107	Rubber washer miniplast MP16-6			7
13	691153	Plastic plug ISO 16			4
14	691154	Plastic nut ISO 16			4
15	691161	Plastic plug ISO 63			5
16	691162	Plastic nut ISO 63			5

Model: SRC-S-183_213



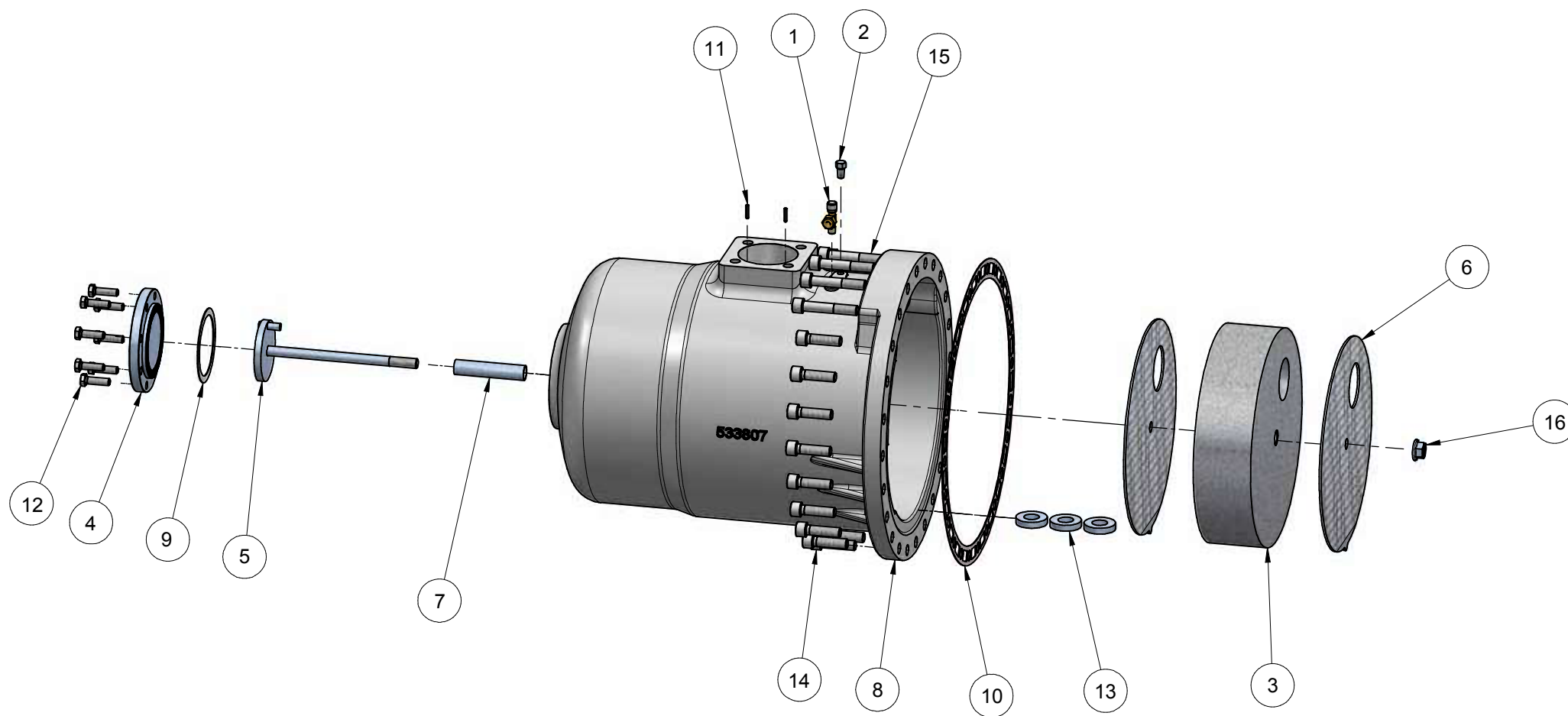
Kit

Oil strainer

ATTENZIONE: il presente disegno è di esclusiva proprietà REFCOMP. E' fatto divieto di riproduzione e di divulgazione anche parziale secondo quanto regolato dalle norme vigenti.

ATTENTION: the present drawing is exclusively ownership of REFCOMP. Is forbidden to reproduce and to disclose, even if partially, the present document in conformity to law regulation in force.

Pos	Code	Description	Serial number	Note	Q.ty
Kit	303669	Oil filter kit			1
1	502989	Oil filter cartridge			1
2	533952	Oil filter plug			1
3	592783	Oil filter plug gasket			1
4	611370	Screw M10x30			4
5	690820	O-ring OR4312			2

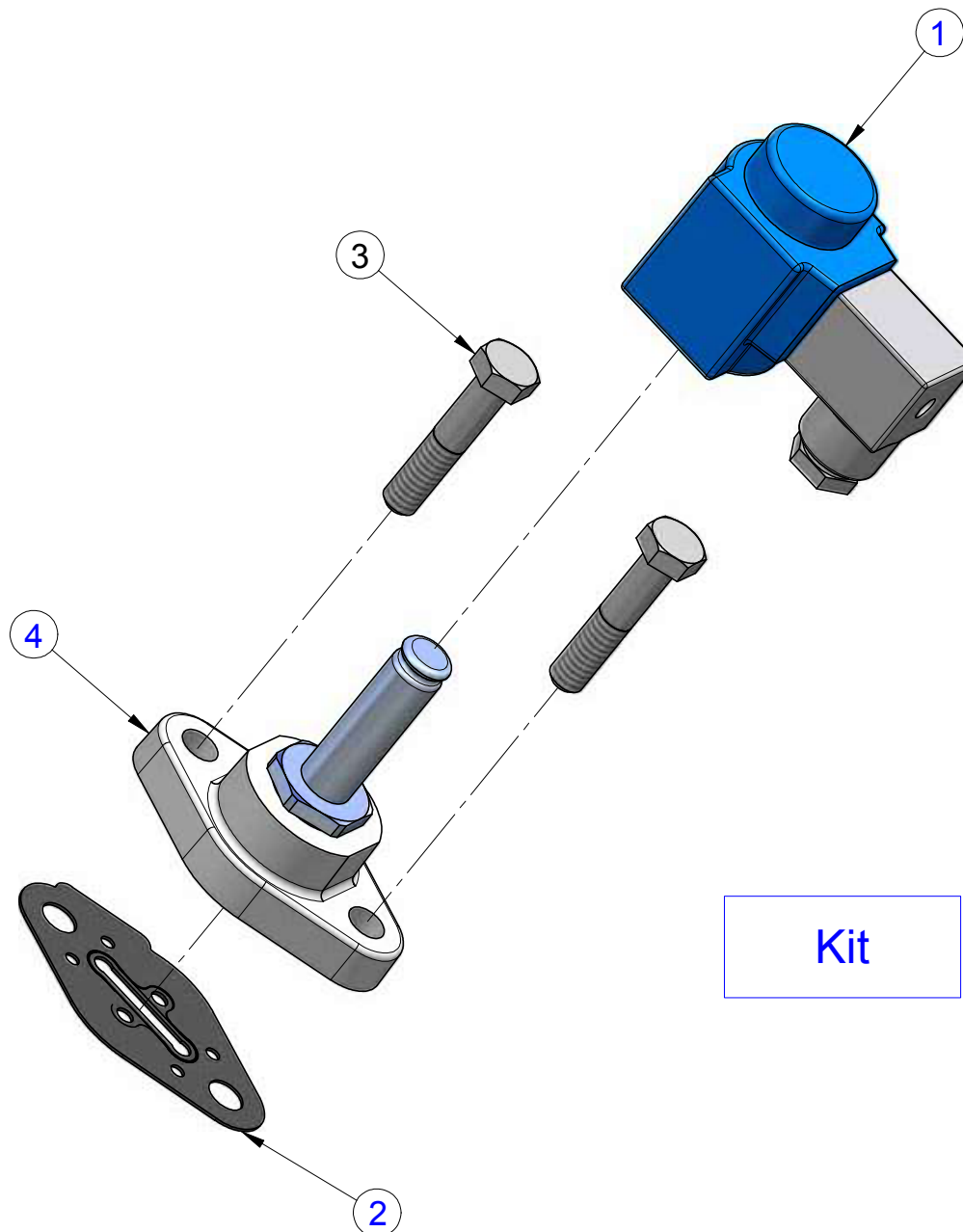


Oil separator

ATTENZIONE: il presente disegno è di esclusiva proprietà REFCOMP. E' fatto divieto di riproduzione e di divulgazione anche parziale secondo quanto regolato dalle norme vigenti.

ATTENTION: the present drawing is exclusively ownership of REFCOMP. Is forbidden to reproduce and to disclose, even if partially, the present document in conformity to law regulation in force.

Pos	Code	Description	Serial number	Note	Q.ty
1	500261	Tee-piece union 1/8"NPT-1/4"-1/4"SAE			1
2	519143	Plug 1/8" NPT			1
3	519186	Demister oil separator Ø315x85			1
4	519203	High pressure cover plate			1
5	519228	Oil separator tie rod L=234			1
6	519285	Punched metal sheet oil separator			2
7	519287	Spacer pipe L=102			1
8	533812	Finished oil separator			1
9	590250	Shut-off valve gasket Ø87.5xØ106.8x1			1
10	592751	Oil separator/rotor housing gasket			1
11	611810	Elastic pin Ø4x20			2
12	612150	Galvanized screw M10x35			8
13	612490	Magnet			3
14	614506	Screw M14x50			18
15	614507	Screw M14x80			6
16	614517	Klock nut M14 galvanized			1

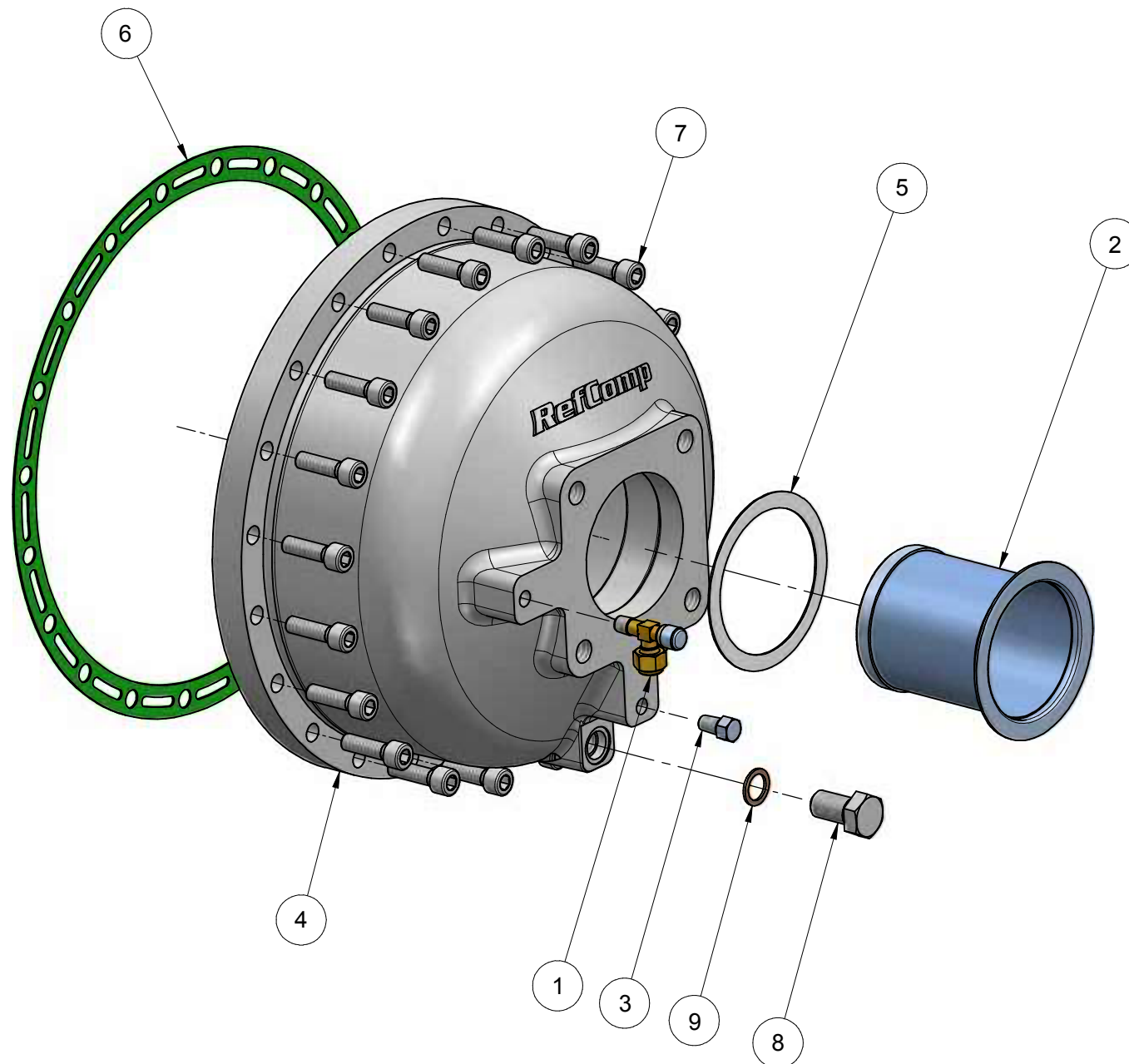


Capacity control solenoid valve

ATTENZIONE: il presente disegno è di esclusiva proprietà REFCOMP. E' fatto divieto di riproduzione e di divulgazione anche parziale secondo quanto regolato dalle norme vigenti.

ATTENTION: the present drawing is exclusively ownership of REFCOMP. Is forbidden to reproduce and to disclose, even if partialy, the present document in conformity to law regulation in force.

Pos	Code	Description	Serial number	Note	Q.ty
1	503330	Coil 230V-50/60Hz			1
2	592731	Solenoid valve gasket l=65			1
4	760450	Solenoid valve			1
3	611370	Screw M10x30			2
Kit	304123	Solenoid valve kit 230V 50-60Hz R134A			1



Suction cover

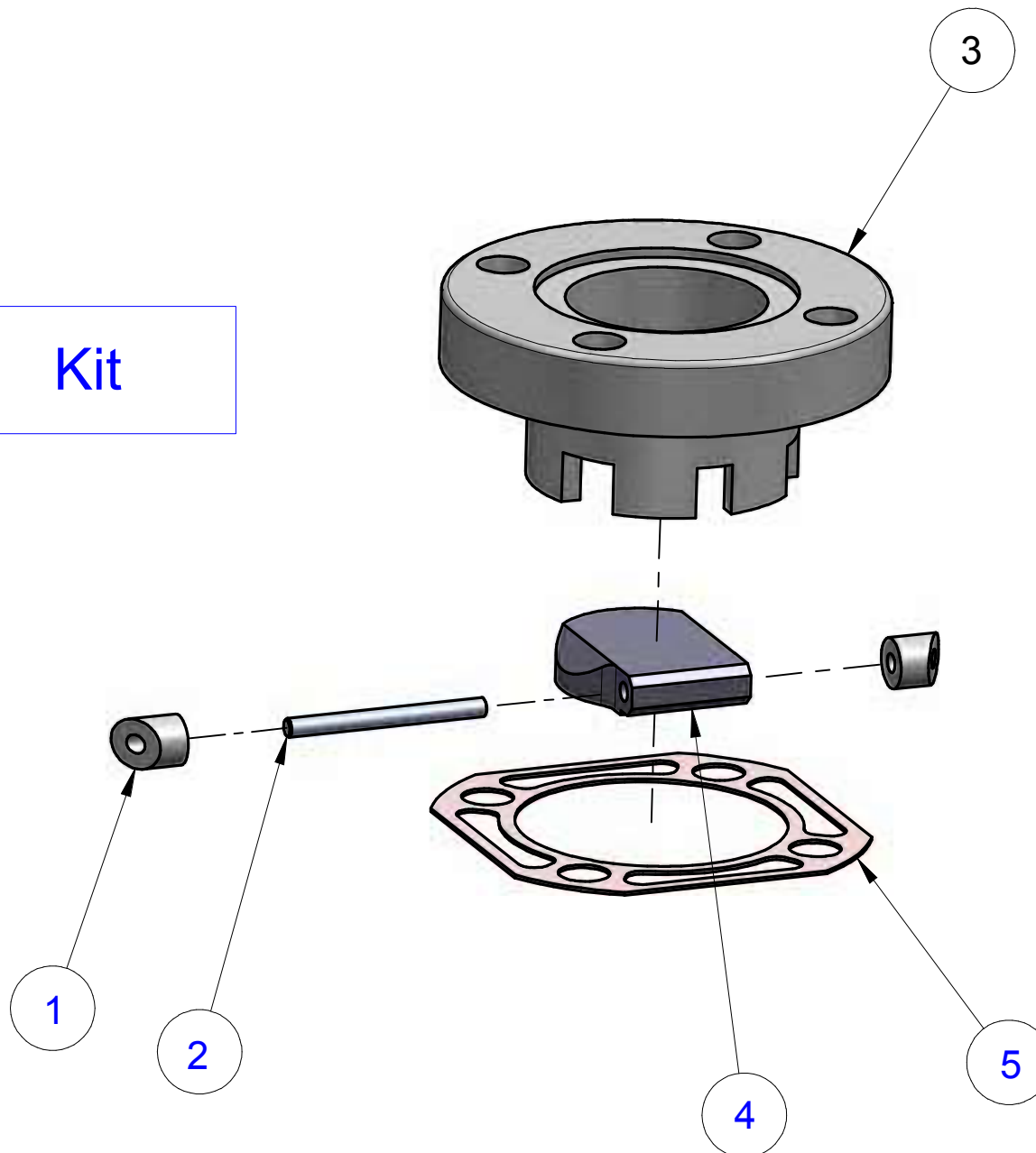
ATTENZIONE: il presente disegno è di esclusiva proprietà REFCOMP. E' fatto divieto di riproduzione e di divulgazione anche parziale secondo quanto regolato dalle norme vigenti.

ATTENTION: the present drawing is exclusively ownership of REFCOMP. Is forbidden to reproduce and to disclose, even if partially, the present document in conformity to law regulation in force.

Pos	Code	Description	Serial number	Note	Q.ty
1	500261	Tee-piece union 1/8"NPT-1/4"-1/4"SAE			1
2	503058	Suction filter			1
3	519143	Plug 1/8" NPT			1
4	531260	Suction cover 'SRC-S-183/213' series			1
5	590250	Shut-off valve gasket Ø87.5xØ106.8x1			1
6	590750	Suction cover gasket			1
7	611340	Galvanized screw M10x35			20
8	614571	Screw M16x30			1
9	680030	Copper washer Ø16x22x1.5			1

Suction cover

Kit



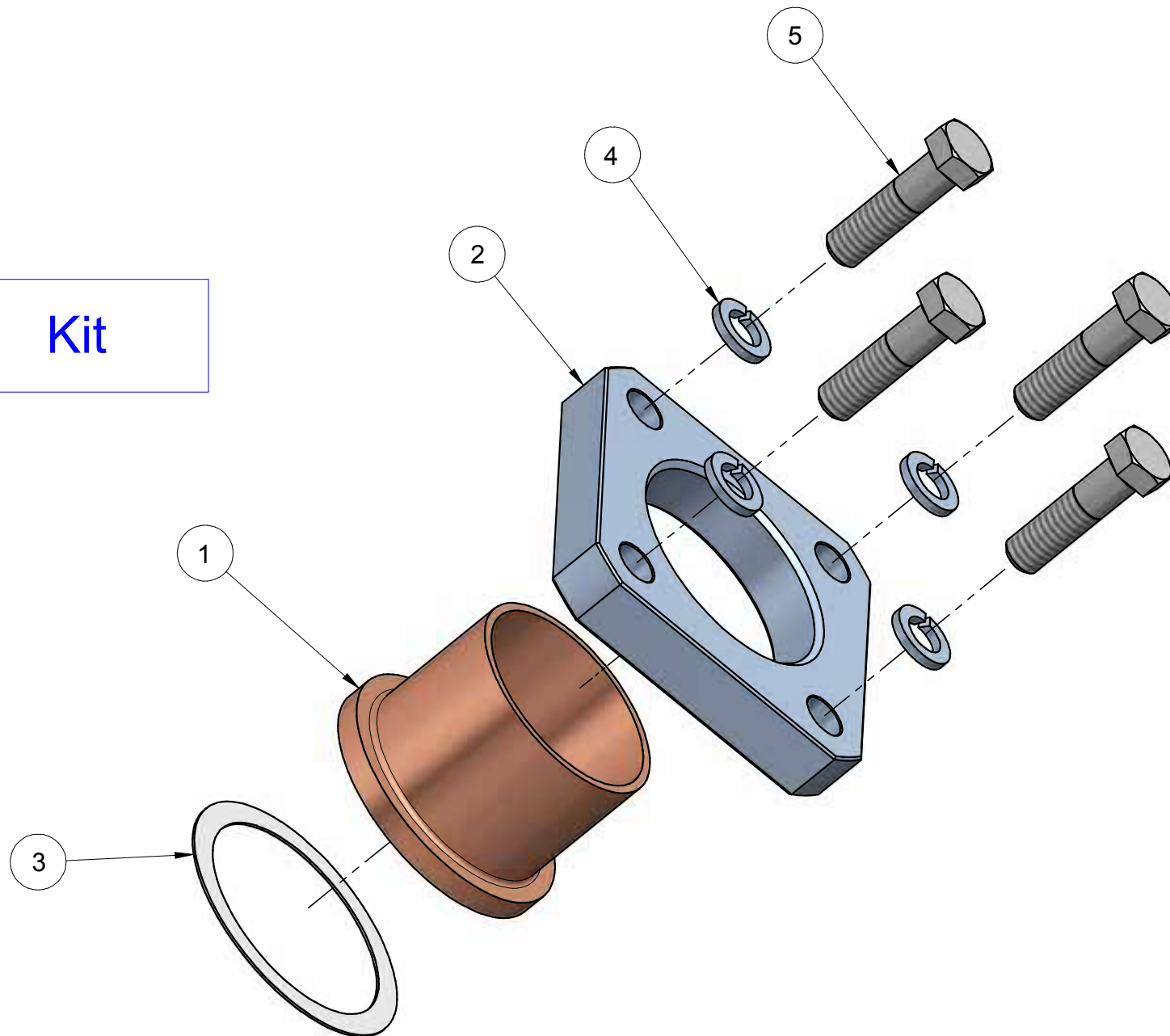
Check valve

ATTENZIONE: il presente disegno è di esclusiva proprietà REFCOMP. E' fatto divieto di riproduzione e di divulgazione anche parziale secondo quanto regolato dalle norme vigenti.

ATTENTION: the present drawing is exclusively ownership of REFCOMP. Is forbidden to reproduce and to disclose, even if partially, the present document in conformity to law regulation in force.

Pos	Code	Description	Serial number	Note	Q.ty
Kit	303589	Check valve bush kit			1
1	517980	Insert			2
2	517990	Lift valve pin			1
3	533963	Check valve bush			1
4	592770	Check valve			1
5	592772	Check valve bush gasket Ø85			1

Kit



Suction bush

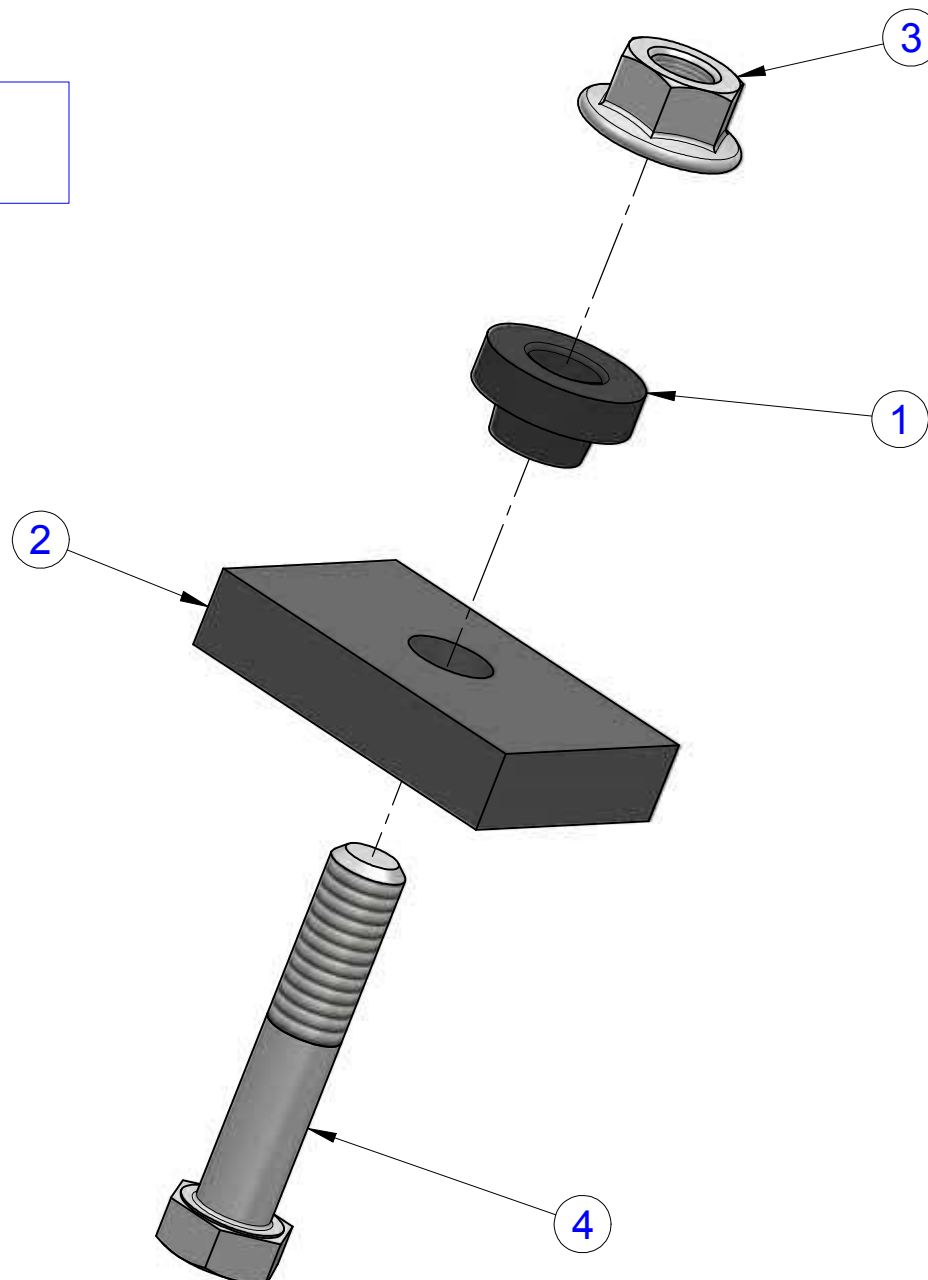
ATTENZIONE: il presente disegno è di esclusiva proprietà REFCOMP. E' fatto divieto di riproduzione e di divulgazione anche parziale secondo quanto regolato dalle norme vigenti.

ATTENTION: the present drawing is exclusively ownership of REFCOMP. Is forbidden to reproduce and to disclose, even if partially, the present document in conformity to law regulation in force.

Pos	Code	Description	Serial number	Note	Q.ty
Kit	301790	Flange + bush kit Ø80			1
Kit	304177	Flange + bush kit Ø67		Standard Kit	1
1	510500	Bush Ø80			1
1	510550	Bush Ø67		Standard	1
1	510560	Bush Ø76			1
2	511230	Square flange l=99 Ø89			1
1	513420	Bush Ø54			1
3	590250	Shut-off valve gasket Ø87.5xØ106.8x1			1
4	610940	Galvanized grower washer M16			4
5	611620	Galvanized screw M16x60			4

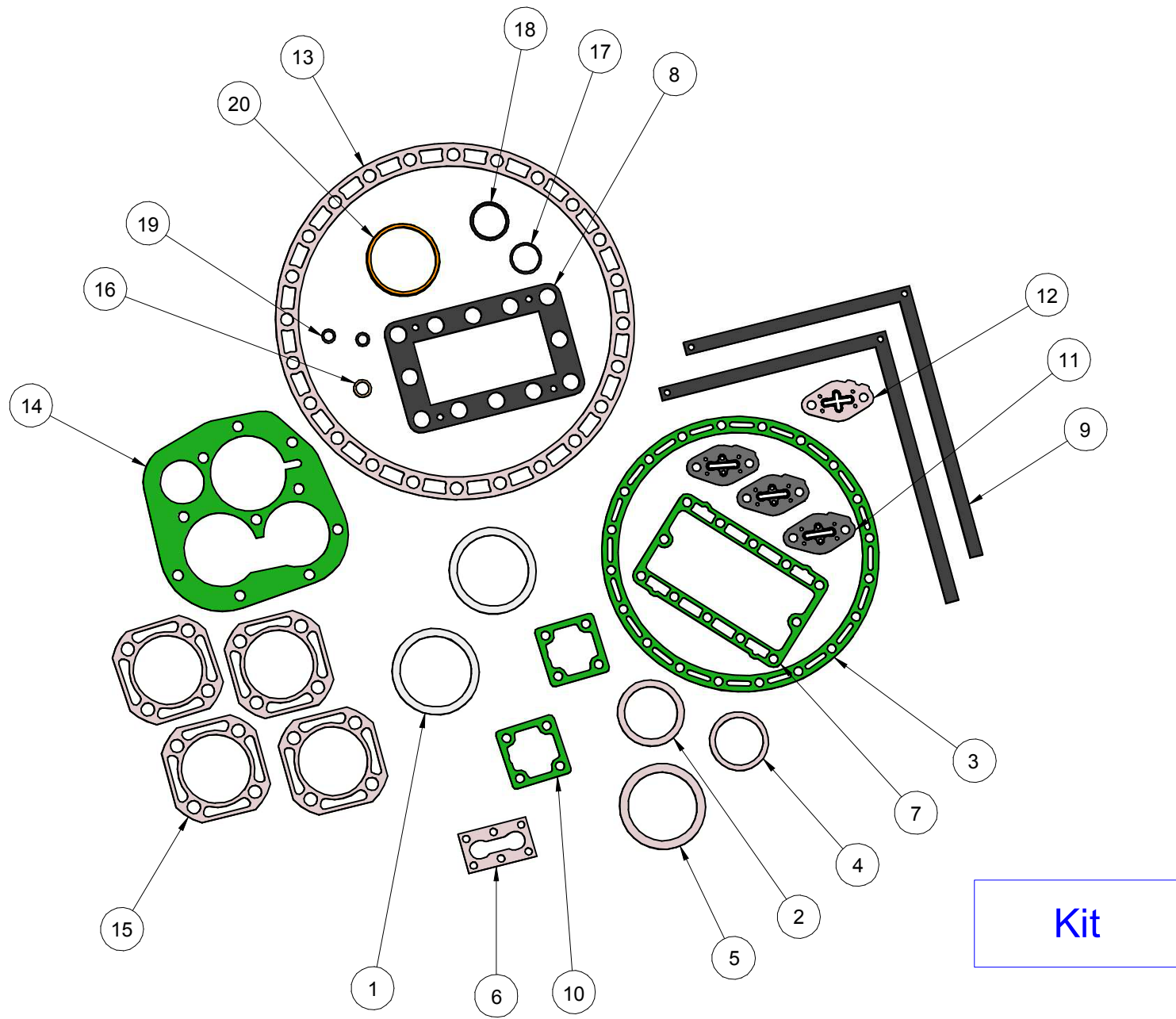
Suction bush

Kit



Dumpers

Pos	Code	Description	Serial number	Note	Q.ty
1	592742	Dumper bush			4
2	592749	Dumper (60°sh)			4
3	614517	Klock nut M14 galvanized			4
4	614525	Galvanized screw M14x70			4
Kit	303243	Rubber dumpers kit			1

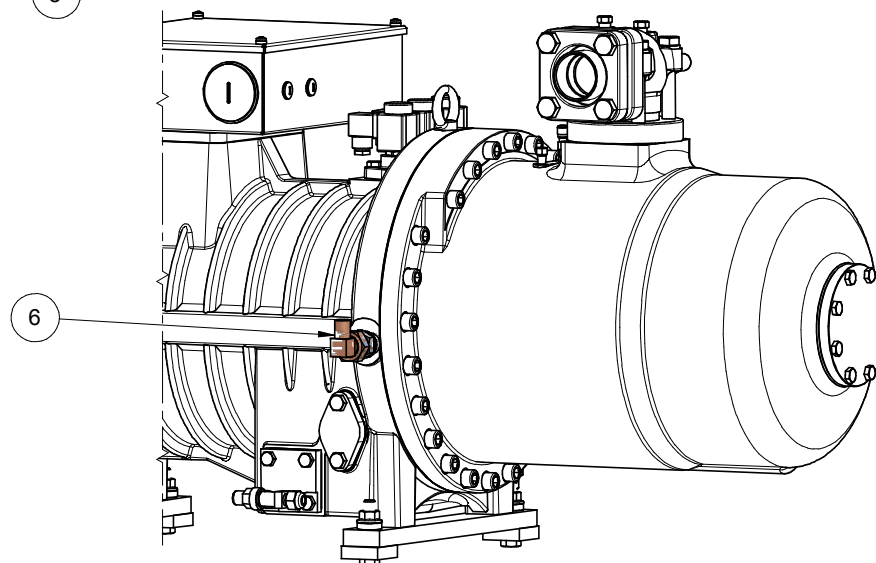
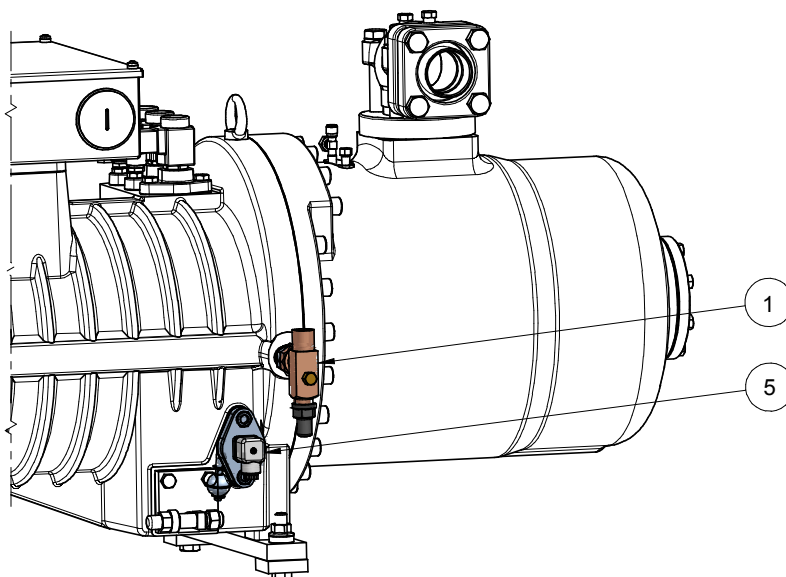
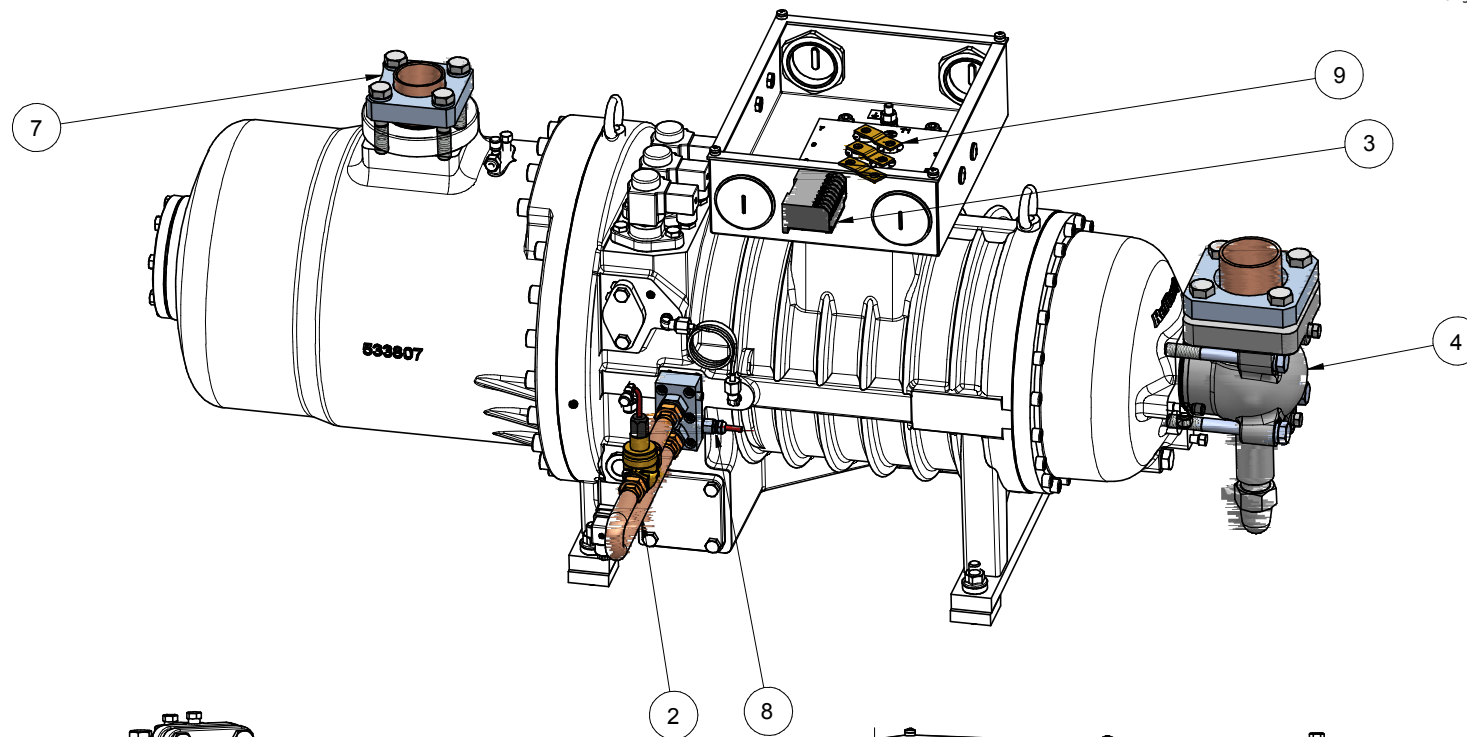


Gaskets

ATTENZIONE: il presente disegno è di esclusiva proprietà REFCOMP. E' fatto divieto di riproduzione e di divulgazione anche parziale secondo quanto regolato dalle norme vigenti.

ATTENTION: the present drawing is exclusively ownership of REFCOMP. Is forbidden to reproduce and to disclose, even if partialy, the present document in conformity to law regulation in force.

Pos	Code	Description	Serial number	Note	Q.ty
1	590250	Shut-off valve gasket Ø87.5xØ106.8x1			2
2	590260	Shut-off valve gasket Ø65xØ82x1			1
3	590750	Suction cover gasket			1
4	591120	Shut-off valve gasket Ø59xØ72.5x1			1
5	591130	Shut-off valve gasket Ø84.8xØ105.8x1			1
6	591610	Oil cooling connecting plate gasket 'SRC-S-113/213'			1
7	592240	Terminal plate gasket			1
8	592270	Terminal box gasket			1
9	592280	Terminal box cover gasket			2
10	592730	Closing plate gasket 75x75			2
11	592731	Solenoid valve gasket l=65			3
12	592732	Step load gasket 'L4'			1
13	592751	Oil separator/rotor housing gasket			1
14	592752	Bearing housing cover gasket			1
15	592772	Check valve bush gasket Ø85			4
16	680030	Copper washer Ø16x22x1.5			1
17	690080	O-ring OR3131			1
18	691030	O-ring OR144			1
19	691081	O-ring OR115			2
20	691140	Gasket			1
Kit	302490	Gasket kit 'SRC-S-183/213' series			1



Optional

ATTENZIONE: il presente disegno è di esclusiva proprietà REFCOMP. E' fatto divieto di riproduzione e di divulgazione anche parziale secondo quanto regolato dalle norme vigenti.

ATTENTION: the present drawing is exclusively ownership of REFCOMP. Is forbidden to reproduce and to disclose, even if partially, the present document in conformity to law regulation in force.

Pos	Code	Description	Serial number	Note	Q.ty
1	303150	ECO shut-off valve kit			1
2	303674	Oil flow switch kit without motor protector INT69VS			1
2	303816	Oil flow switch kit with motor protector INT69VS 230V			1
2	304088	Oil flow switch kit with motor protector INT69VS 110V			1
2	304089	Oil flow switch kit with motor protector INT69VS 24V			1
3	303170	Motor protector kit			1
4	300290	Shut-off valve kit I=99 Ø54			1
4	303545	Shut-off valve kit I=99 Ø67		Standard Kit	1
4	303830	Shut-off valve kit I=99 Ø76			1
4	300150	Shut-off valve kit I=99 Ø80			1
5	303244	Oil level float kit			1
6	303134	Liquid injection kit			1
7	304171	Flange + bush kit Ø54			1
8	303532	Temperature probe kit 120°C			1
9	303192	Direct starting kit I=40			1

Optional