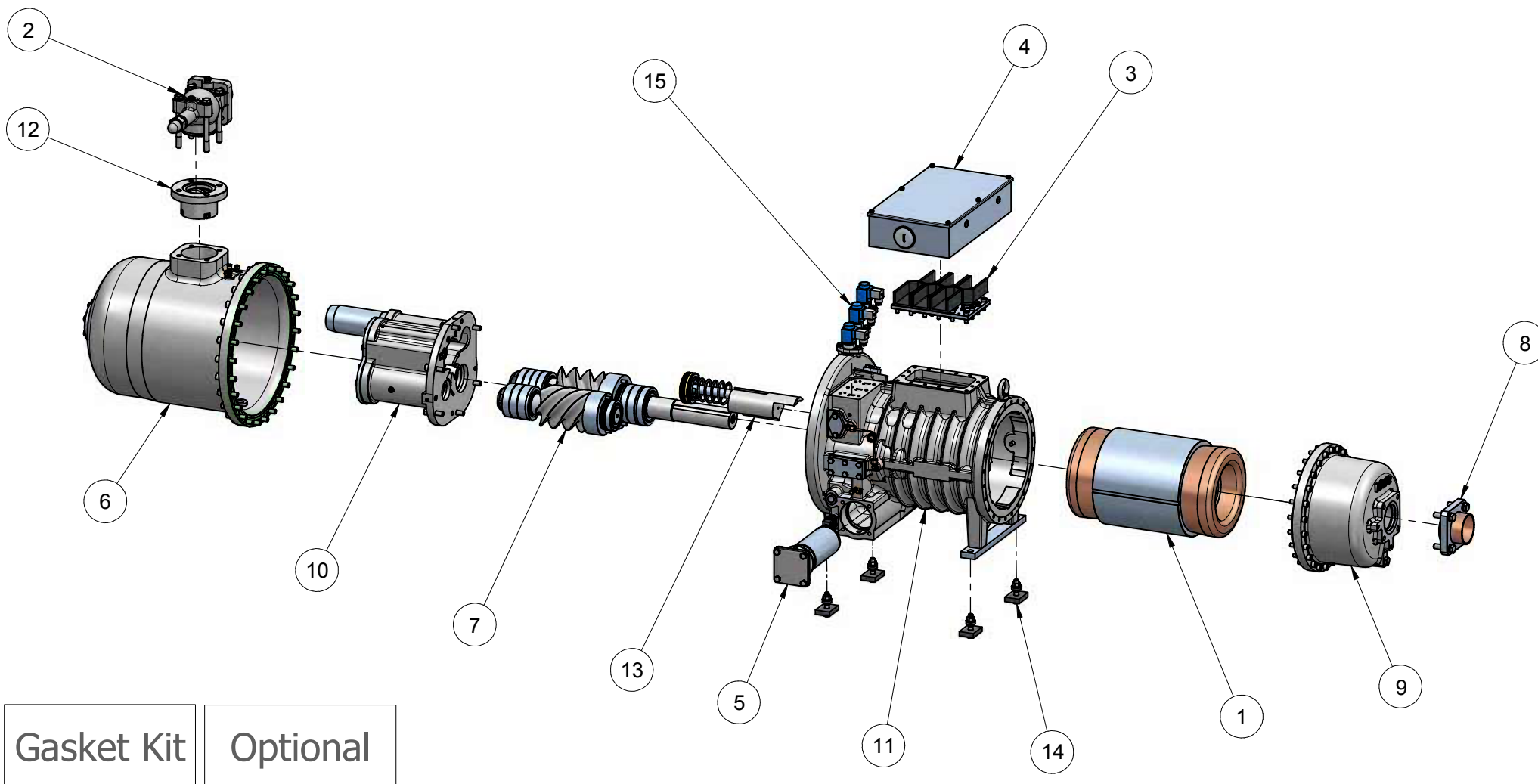


Model: "SRC-S" Series



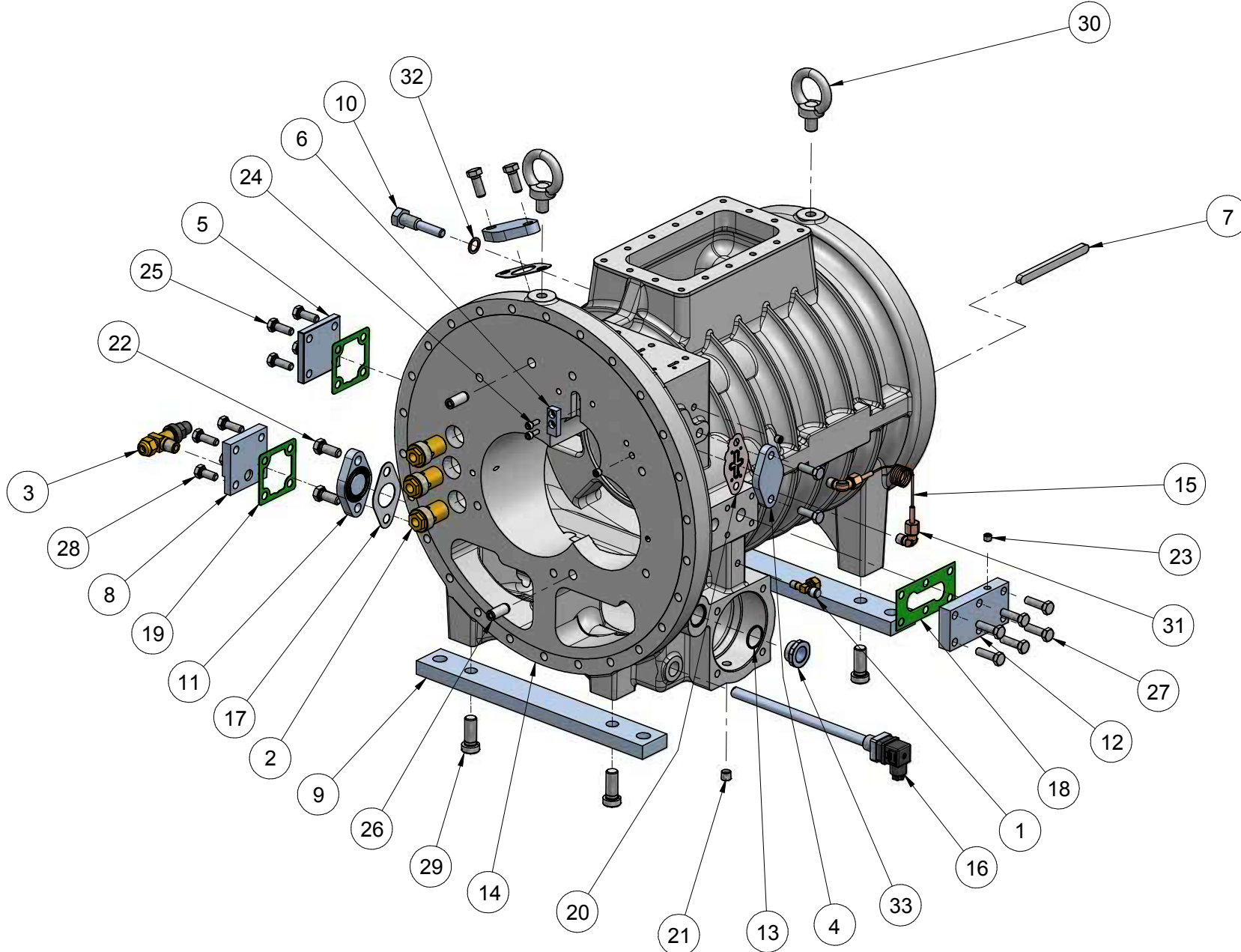
Gasket Kit

Optional

SRC-S-353_413_463

ATTENZIONE: il presente disegno è di esclusiva proprietà REFCOMP. E' fatto divieto di riproduzione e di divulgazione anche parziale secondo quanto regolato dalle norme vigenti.

ATTENTION: the present drawing is exclusively ownership of REFCOMP. Is forbidden to reproduce and to disclose, even if partially, the present document in conformity to law regulation in force.



SRC-S-353_413_463 Rotor housing

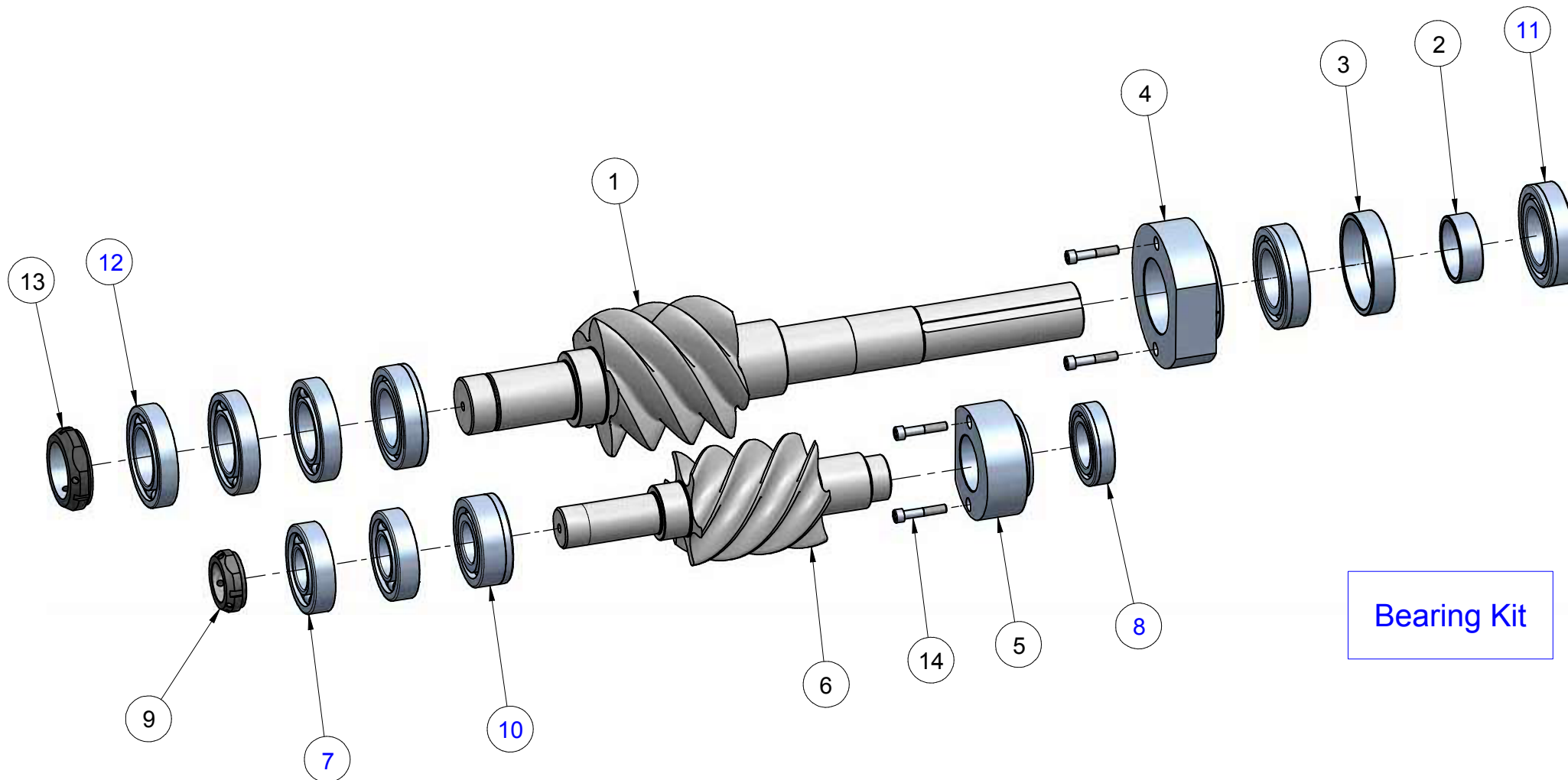
ATTENZIONE: il presente disegno è di esclusiva proprietà REFCOMP.
E' fatto divieto di riproduzione e di divulgazione anche parziale secondo
quanto regolato dalle norme vigenti.

ATTENTION: the present drawing is exclusively ownership of REFCOMP.
Is forbidden to reproduce and to disclose, even if partially, the present
document in conformity to law regulation in force.

Pos	Code	Description	Serial number	Note	Q.ty
1	500261	Tee-piece union 1/8"NPT-1/4"-1/4"SAE			1
2	500580	Max valve 30bar 1"NPT			3
3	503335	3/8"NPT oil discharge valve assembly			1
4	510170	Closing oval plate I=65			1
5	513200	Rotor housing plug			1
6	514660	Key 16x10x38			1
7	514760	Key 11.95x8x140			1
8	514790	Oil discharge cover 3/8"NPT			1
9	515190	Compressor supporting plate			2
10	517220	Stator fixing screw			1
11	518270	Closing oval plate I=70			2
12	519290	Oil and probe connection plate "SRC-S-353/603 series"			1
13	520664	Aluminium ring Ø28.6xØ31.8x2			1
14	533936	Rotor housing			1
15	540701	Capillary L=838 Ø1.78			1
16	583110	Crankcase heater 230V 275W Ø14			1
17	591030	Oval flange gasket I=70			2
18	592320	Oil connection plate gasket "SRC-S-353/603 series"			1
19	592730	Closing plate gasket 75x75			2
20	592732	Step load gasket 'L4'			1
21	610050	Plug 1/4"NPT			1
22	610640	Screw M12x30			4
23	610680	Plug 1/8"NPT			3
24	611120	Screw M6x16			2
25	611370	Screw M10x30			8
26	611940	Cylindrical pin Ø14x35			2
27	612150	Galvanized screw M10x35			6
28	612160	Screw M10x25			2
29	613420	Screw M16x40			4
30	613710	Eyebolt M16			2
31	640610	90° connection 1/4"NPT			2
32	680030	Copper washer Ø16x22x1.5			1
33	700210	Sight glass cover 1"1/8-18UNEF			1

SRC-S-353_413_463 Rotor housing

www.refcomp.it
spareparts@refcomp.it

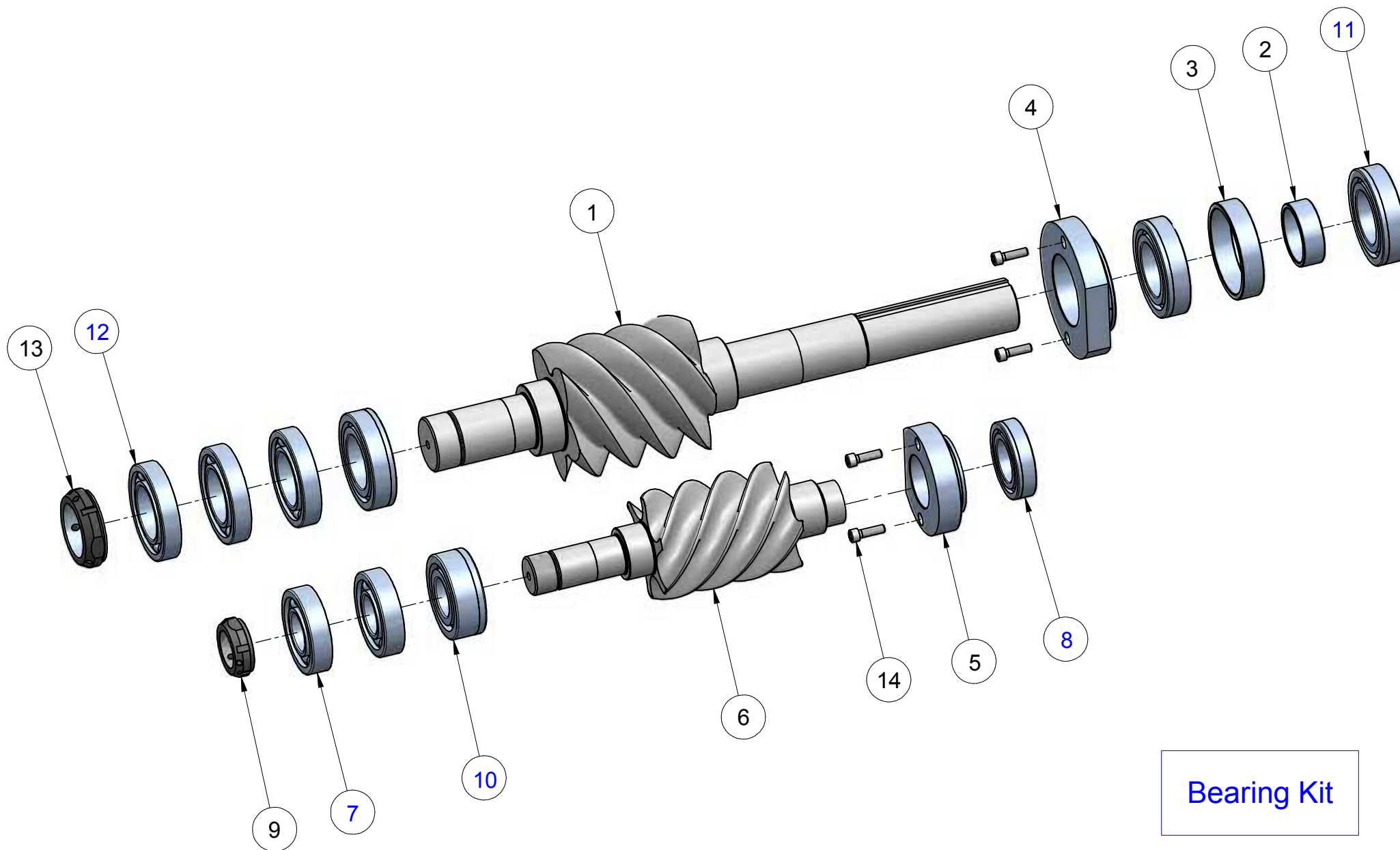


SRC-S-353 Rotor

ATTENZIONE: il presente disegno è di esclusiva proprietà REFCOMP. E' fatto divieto di riproduzione e di divulgazione anche parziale secondo quanto regolato dalle norme vigenti.

ATTENTION: the present drawing is exclusively ownership of REFCOMP. Is forbidden to reproduce and to disclose, even if partialy, the present document in conformity to law regulation in force.

Pos	Code	Description	Serial number	Note	Q.ty
Kit	303367	Bearings kit			1
1	503007	Male rotor 'SRC-S-353' series			1
2	518200	Inner spacer bearing			1
3	518210	External spacer bearing			1
4	519355	Male rotor suction bush 'SRC-S-353' series			1
5	519356	Female rotor suction bush 'SRC-S-353' series			1
6	533931	Female rotor 'SRC-S-353' series			1
7	612360	Ball bearing			2
8	613650	Cylindrical roller bearing			1
9	613890	Block nut M50x1.5			1
10	614030	Cylindrical roller bearing			1
11	614200	Cylindrical roller bearing			3
12	614210	Ball bearing			3
13	614220	Block nut M70x2			1
14	614546	Screw M10x55			4



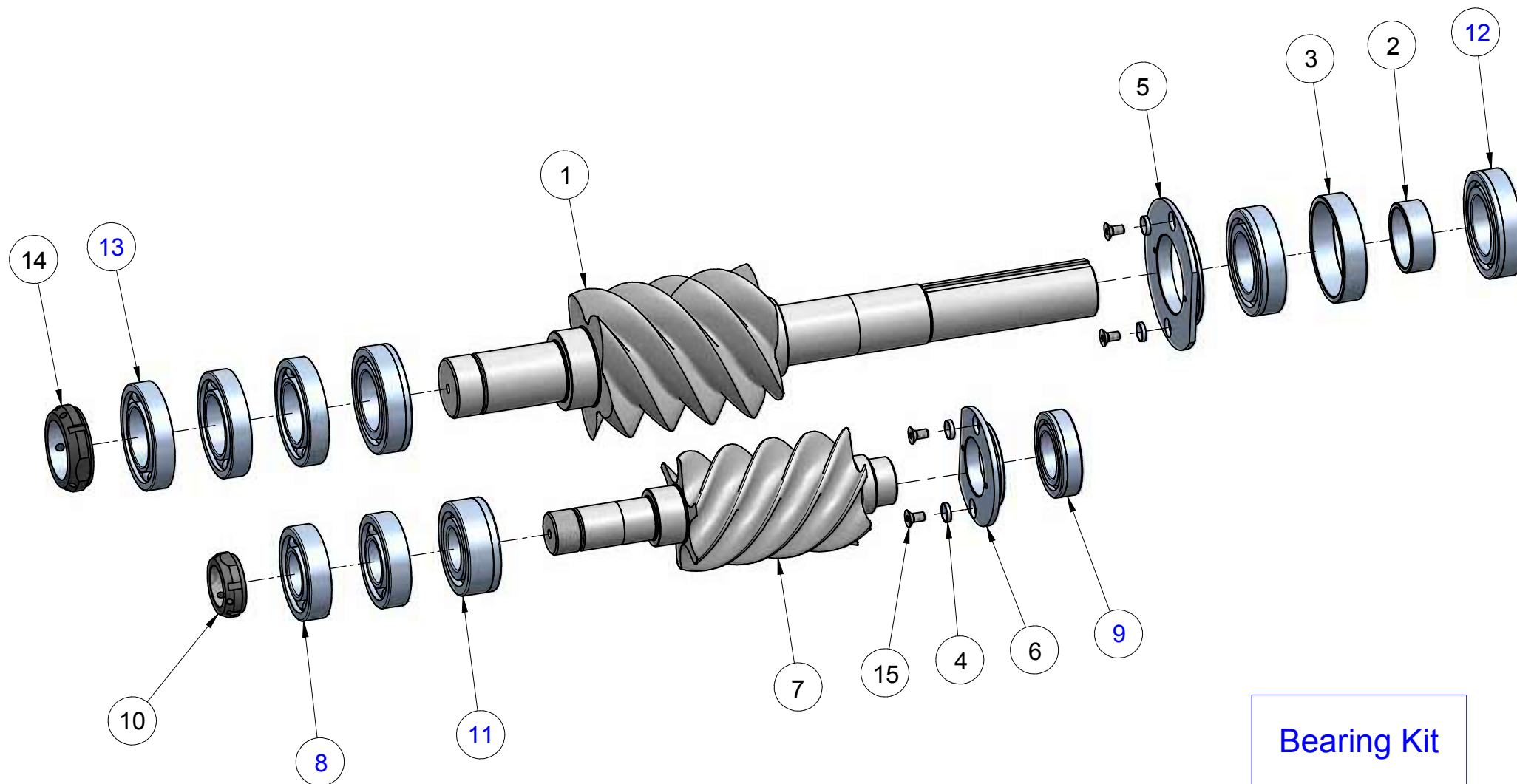
Bearing Kit

SRC-S-413 Rotor

ATTENZIONE: il presente disegno è di esclusiva proprietà REFCOMP. E' fatto divieto di riproduzione e di divulgazione anche parziale secondo quanto regolato dalle norme vigenti.

ATTENTION: the present drawing is exclusively ownership of REFCOMP. Is forbidden to reproduce and to disclose, even if partially, the present document in conformity to law regulation in force.

Pos	Code	Description	Serial number	Note	Q.ty
Kit	303367	Bearings kit			1
1	503002	Male rotor 'SRC-S-413' series			1
2	518200	Inner spacer bearing			1
3	518210	External spacer bearing			1
4	519353	Male rotor suction bush 'SRC-S-413' series			1
5	519354	Female rotor suction bush 'SRC-S-413' series			1
6	533930	Female rotor 'SRC-S-413' series			1
7	612360	Ball bearing			2
8	613650	Cylindrical roller bearing			1
9	613890	Block nut M50x1.5			1
10	614030	Cylindrical roller bearing			1
11	614200	Cylindrical roller bearing			3
12	614210	Ball bearing			3
13	614220	Block nut M70x2			1
14	614544	Screw M10x35			4

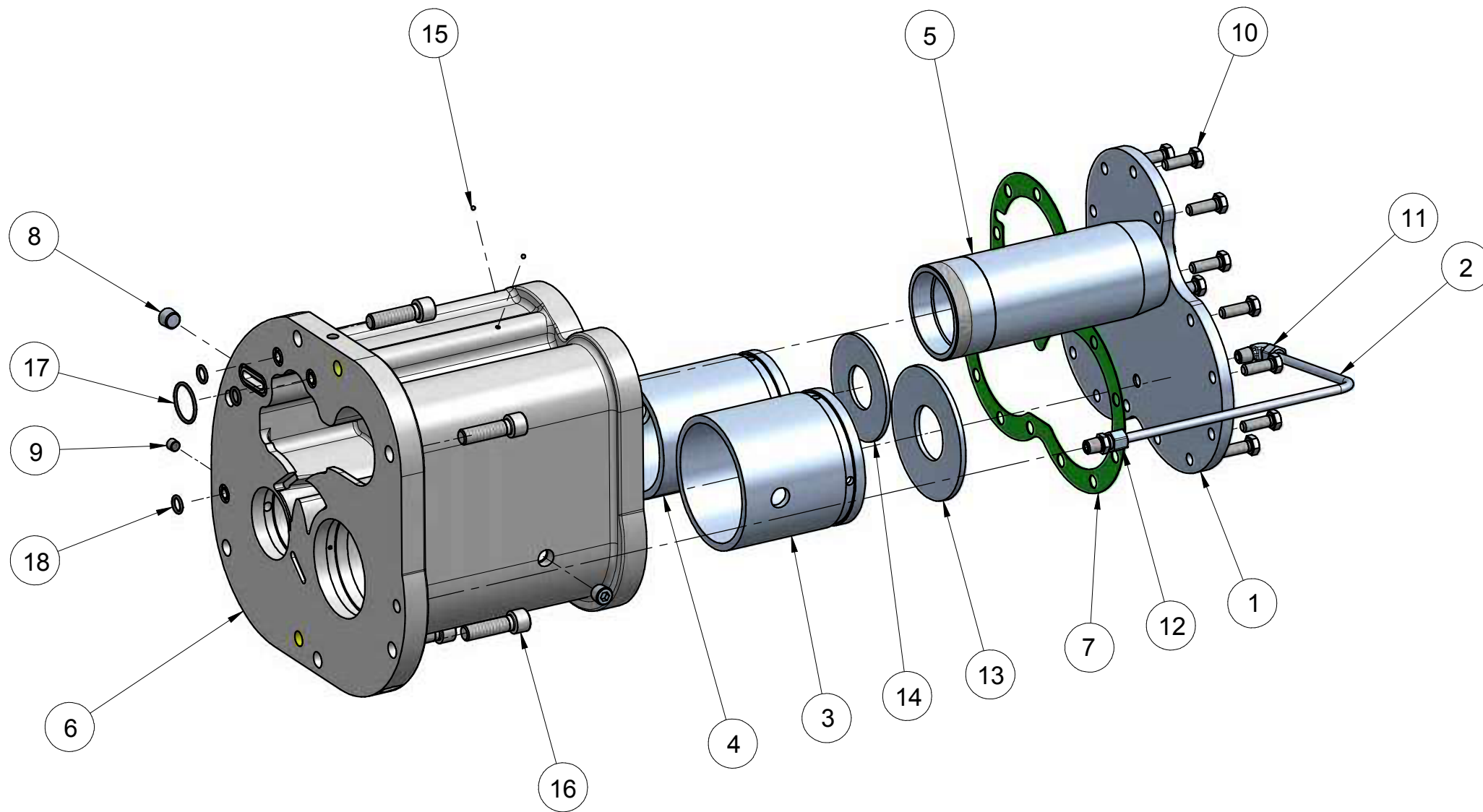


SRC-S-463 Rotor

ATTENZIONE: il presente disegno è di esclusiva proprietà REFCOMP. E' fatto divieto di riproduzione e di divulgazione anche parziale secondo quanto regolato dalle norme vigenti.

ATTENTION: the present drawing is exclusively ownership of REFCOMP. Is forbidden to reproduce and to disclose, even if partially, the present document in conformity to law regulation in force.

Pos	Code	Description	Serial number	Note	Q.ty
Kit	303367	Bearings kit			1
1	503006	Male rotor 'SRC-S-463' series			1
2	518200	Inner spacer bearing			1
3	518210	External spacer bearing			1
4	519260	Stopping flared washer M10			4
5	519351	Male rotor suction bush 'SRC-S-463' series			1
6	519352	Female rotor suction bush 'SRC-S-463' series			1
7	533929	Female rotor 'SRC-S-463' series			1
8	612360	Ball bearing			2
9	613650	Cylindrical roller bearing			1
10	613890	Block nut M50x1.5			1
11	614030	Cylindrical roller bearing			1
12	614200	Cylindrical roller bearing			3
13	614210	Ball bearing			3
14	614220	Block nut M70x2			1
15	614529	Screw M10x20			4



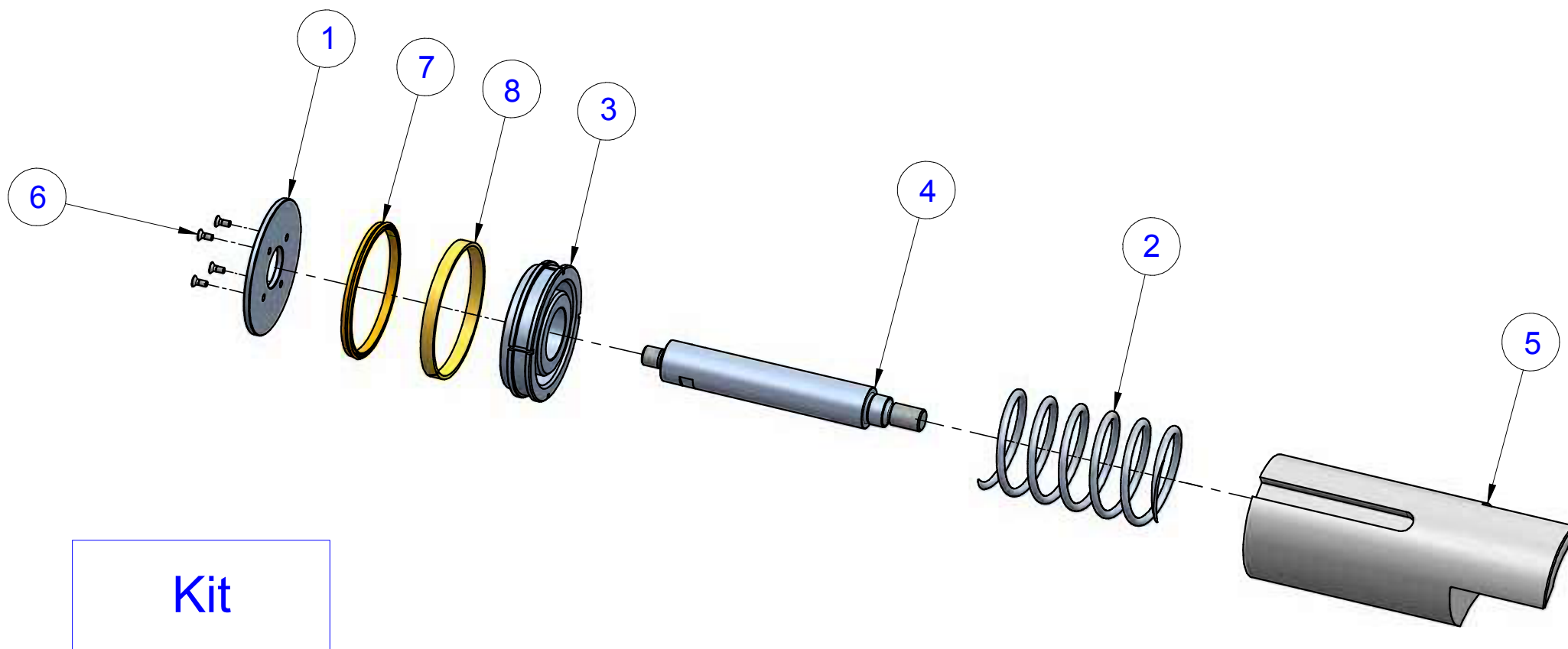
Bearing housing

ATTENZIONE: il presente disegno è di esclusiva proprietà REFCOMP. E' fatto divieto di riproduzione e di divulgazione anche parziale secondo quanto regolato dalle norme vigenti.

ATTENTION: the present drawing is exclusively ownership of REFCOMP. Is forbidden to reproduce and to disclose, even if partialy, the present document in conformity to law regulation in force.

Pos	Code	Description	Serial number	Note	Q.ty
1	518060	Bearing housing cover "SRC-S-353/463 series"			1
2	518300	Male rotor oil injection pipe "SRC-S-353/463 series"			1
3	519139	Bearing spacer Ø125x124.6			1
4	519140	Bearing spacer Ø110x38			1
5	519235	Discharge pipe			1
6	533935	Bearing housing			1
7	592734	Bearing housing cover gasket			1
8	610250	Plug 3/8"NPT			2
9	610680	Plug 1/8"NPT			1
10	611370	Screw M10x30			17
11	612400	90° connection 1/4"NPT			1
12	612770	Straight connection 1/4"NPT			1
13	613730	Conical spring Ø51xØ125x4			1
14	613740	Conical spring Ø41xØ100x4			1
15	613930	Steel ball Ø3.5			2
16	614506	Screw M14x50			6
17	690080	O-ring OR3131			1
18	691081	O-ring OR115			3

Bearing housing



Kit

Slide valve

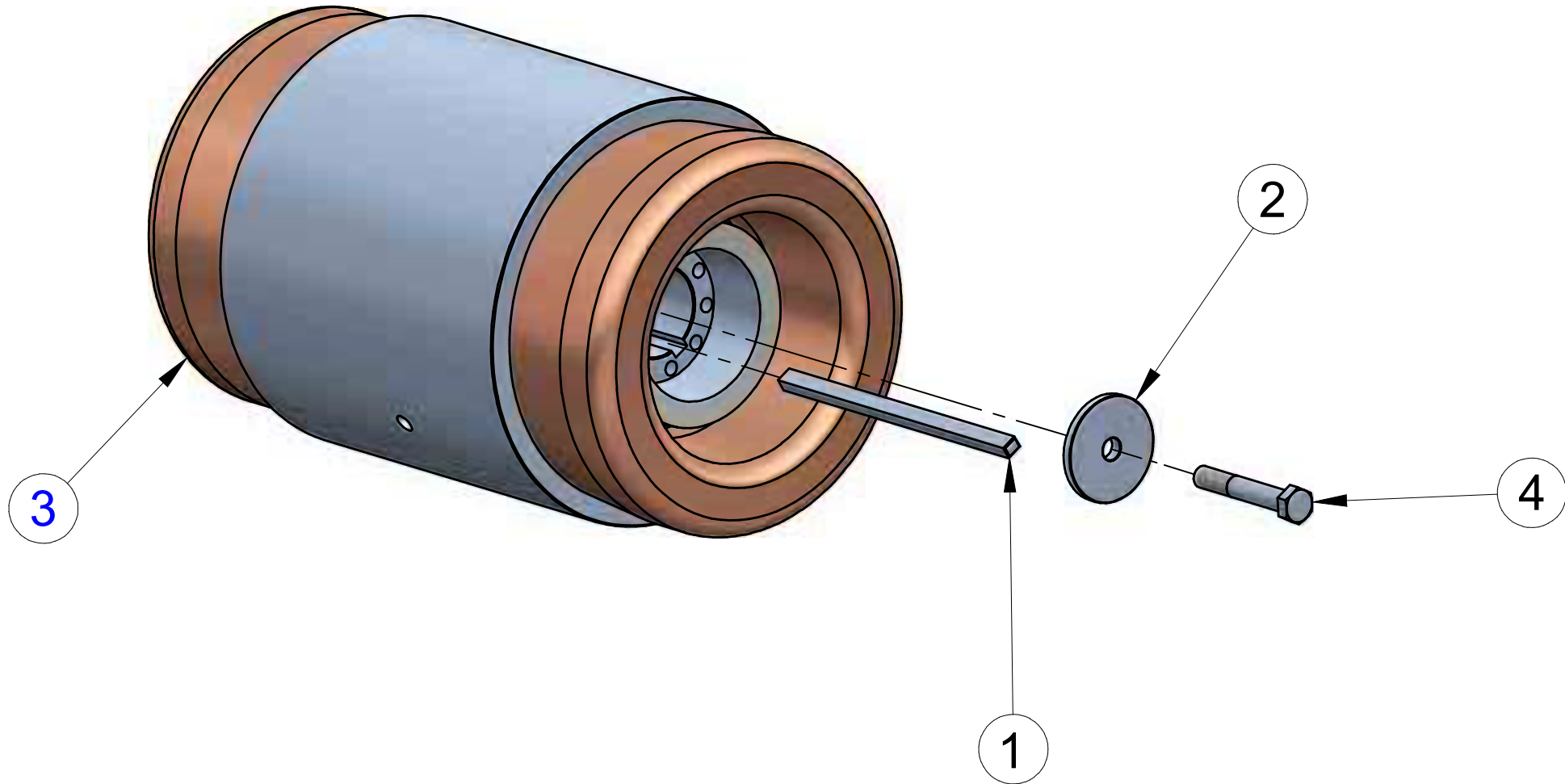
ATTENZIONE: il presente disegno è di esclusiva proprietà REFCOMP. E' fatto divieto di riproduzione e di divulgazione anche parziale secondo quanto regolato dalle norme vigenti.

ATTENTION: the present drawing is exclusively ownership of REFCOMP. Is forbidden to reproduce and to disclose, even if partially, the present document in conformity to law regulation in force.

Pos	Code	Description	Serial number	Note	Q.ty
Kit	303806	Slide valve kit Vi=2.6			1
Kit	303807	Slide valve kit Vi=3.2			1
Kit	303820	Slide valve kit			1
1	517580	Front part control piston			1
2	518250	Spring slide valve			1
3	519498	Control piston Ø100			1
4	519709	Command piston rod Ø30x154.5			1
5	519763	Slide valve Vi=2.2			1
5	519764	Slide valve Vi=2.2			1
5	519765	Slide valve Vi=2.2			1
5	534248	Slide valve			1
5	534249	Slide valve Vi=2.6			1
5	534250	Slide valve Vi=3.2			1
5	534289	Slide valve Vi=4.4			1
6	612980	Screw M4x10			4
7	691143	Gasket			1
8	691146	Band gasket control piston			1

Slide valve

Model: SRC-S-353_413_463



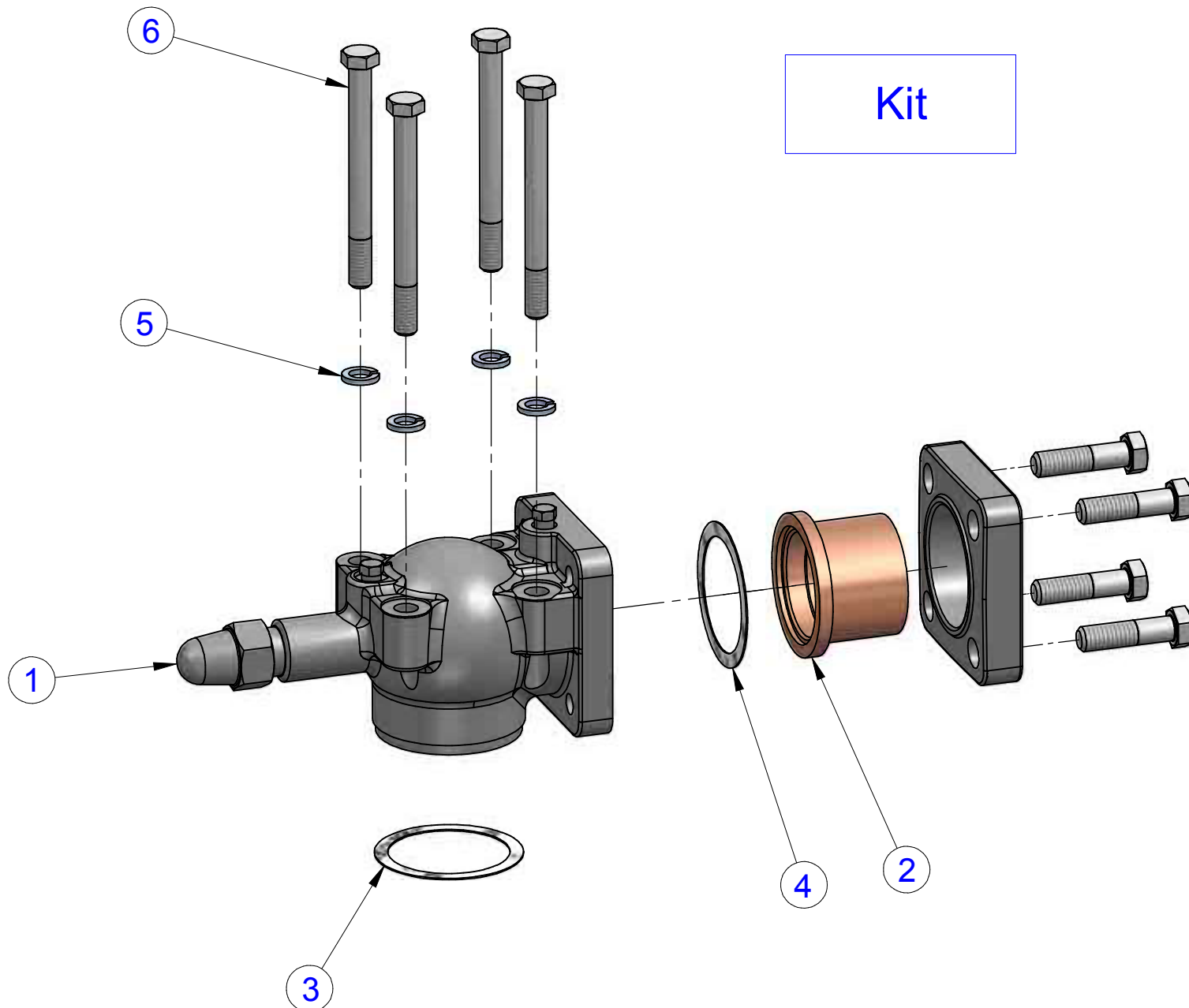
Kit

Electrical motor

ATTENZIONE: il presente disegno è di esclusiva proprietà REFCOMP.
E' fatto divieto di riproduzione e di divulgazione anche parziale secondo
quanto regolato dalle norme vigenti.

ATTENTION: the present drawing is exclusively ownership of REFCOMP.
Is forbidden to reproduce and to disclose, even if partially, the present
document in conformity to law regulation in force.

Pos	Code	Description	Serial number	Note	Q.ty
Kit	303656	Electric motor kit 400V/3/50Hz Y/D			1
Kit	303657	Electric motor kit 400V/3/50Hz Y/D			1
Kit	303658	Electric motor kit 400V/3/50Hz Y/D			1
2	517240	Shaft washer			1
1	517730	Key 12.7x10x215			1
3	581260	Electric motor 400V/3/50Hz Y/D			1
3	583750	Electric motor 400V/3/50Hz Y/D			1
3	583751	Electric motor 400V/3/50Hz Y/D			1
3	583752	Electric motor 400V/3/50Hz Y/D			1
4	614140	Screw M16x70			1



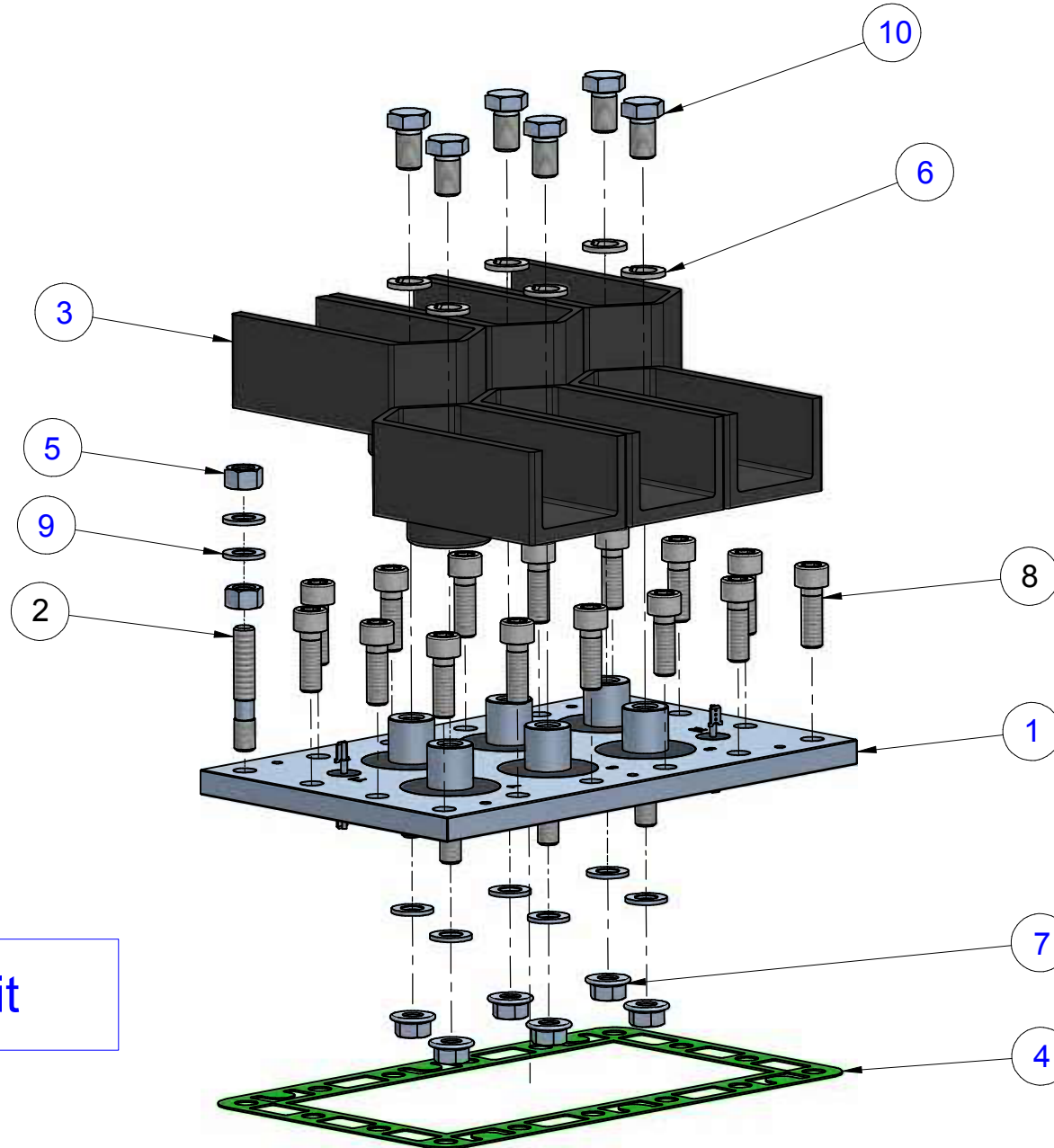
Discharge shut-off valve

ATTENZIONE: il presente disegno è di esclusiva proprietà REFCOMP. E' fatto divieto di riproduzione e di divulgazione anche parziale secondo quanto regolato dalle norme vigenti.

ATTENTION: the present drawing is exclusively ownership of REFCOMP. Is forbidden to reproduce and to disclose, even if partially, the present document in conformity to law regulation in force.

Pos	Code	Description	Serial number	Note	Q.ty
Kit	300180	Shut-off valve kit l=99 Ø67			1
Kit	303830	Shut-off valve kit l=99 Ø76			1
Kit	303984	Shut-off valve kit l=99 Ø54			1
Kit	304070	Shut-off valve kit l=99 Ø80		Standard Kit	1
1	500250	Shut-off valve l=99			1
2	510500	Bush Ø80		Standard	1
2	510550	Bush Ø67			1
2	510560	Bush Ø76			1
2	513420	Bush Ø54			1
3	590250	Shut-off valve gasket Ø87.5xØ106.8x1			1
4	591130	Shut-off valve gasket Ø84.8xØ105.8x1			1
5	610940	Galvanized grower washer M16			4
6	614080	Galvanized screw M16x170			4

Discharge shut-off valve



Kit

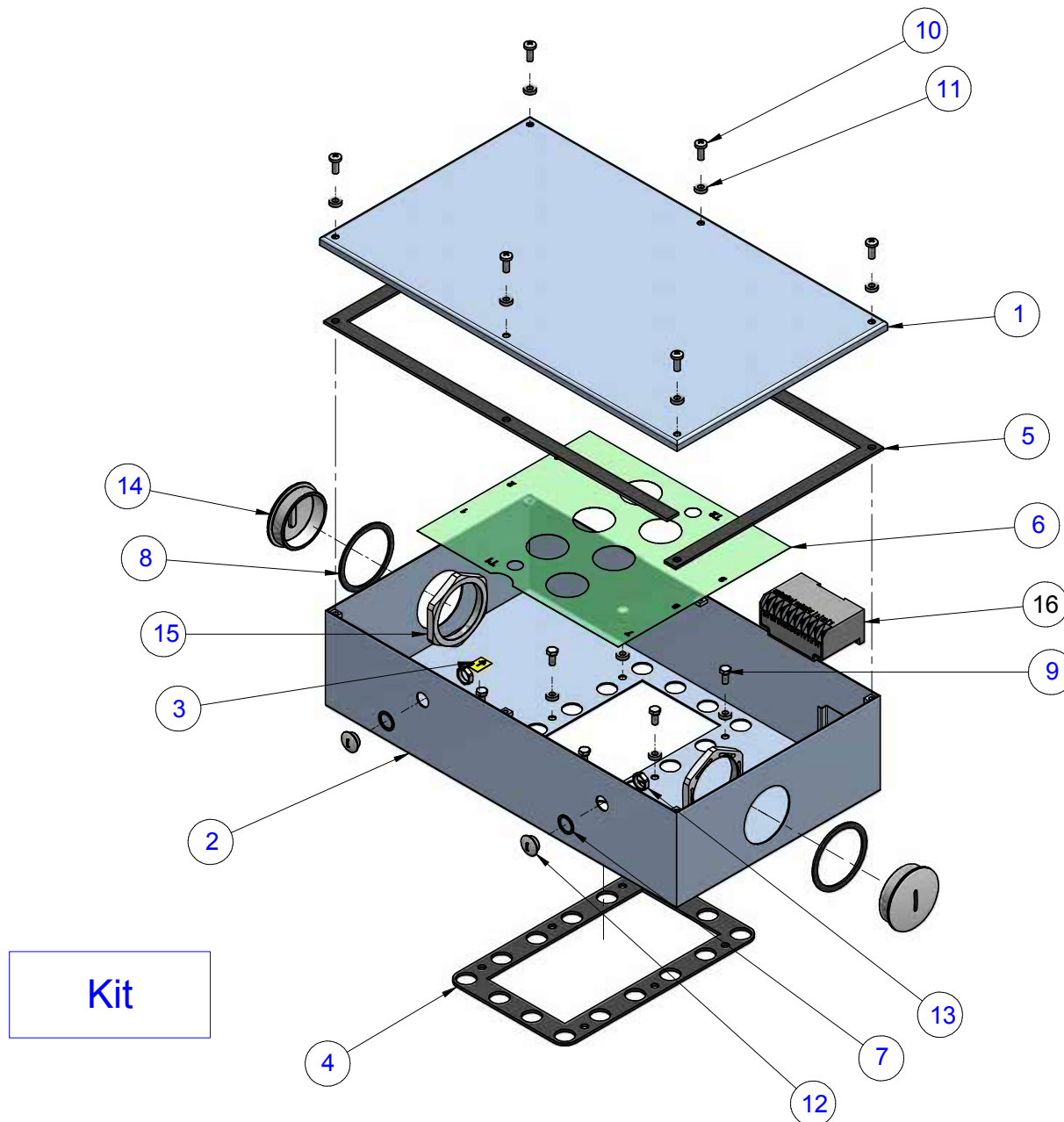
Terminal plate

ATTENZIONE: il presente disegno è di esclusiva proprietà REFCOMP. E' fatto divieto di riproduzione e di divulgazione anche parziale secondo quanto regolato dalle norme vigenti.

ATTENTION: the present drawing is exclusively ownership of REFCOMP. Is forbidden to reproduce and to disclose, even if partially, the present document in conformity to law regulation in force.

Pos	Code	Description	Serial number	Note	Q.ty
Kit	303774	Terminal plate kit '134-S-160/180/210/220' series			1
1	502510	Terminal plate M12			1
2	512080	Tie rod M10x60			1
3	592420	Cable insulator			6
4	592729	Terminal plate gasket			1
5	610820	Galvanized nut M10			2
6	610960	Galvanized grower washer M12			6
7	613250	Klock nut M10 galvanized			6
8	613900	Galvanized screw M10x30			15
9	613910	Plane washer Ø10.5xØ20x2			8
10	614190	Galvanized screw M12x20			6

Terminal plate



Terminal box

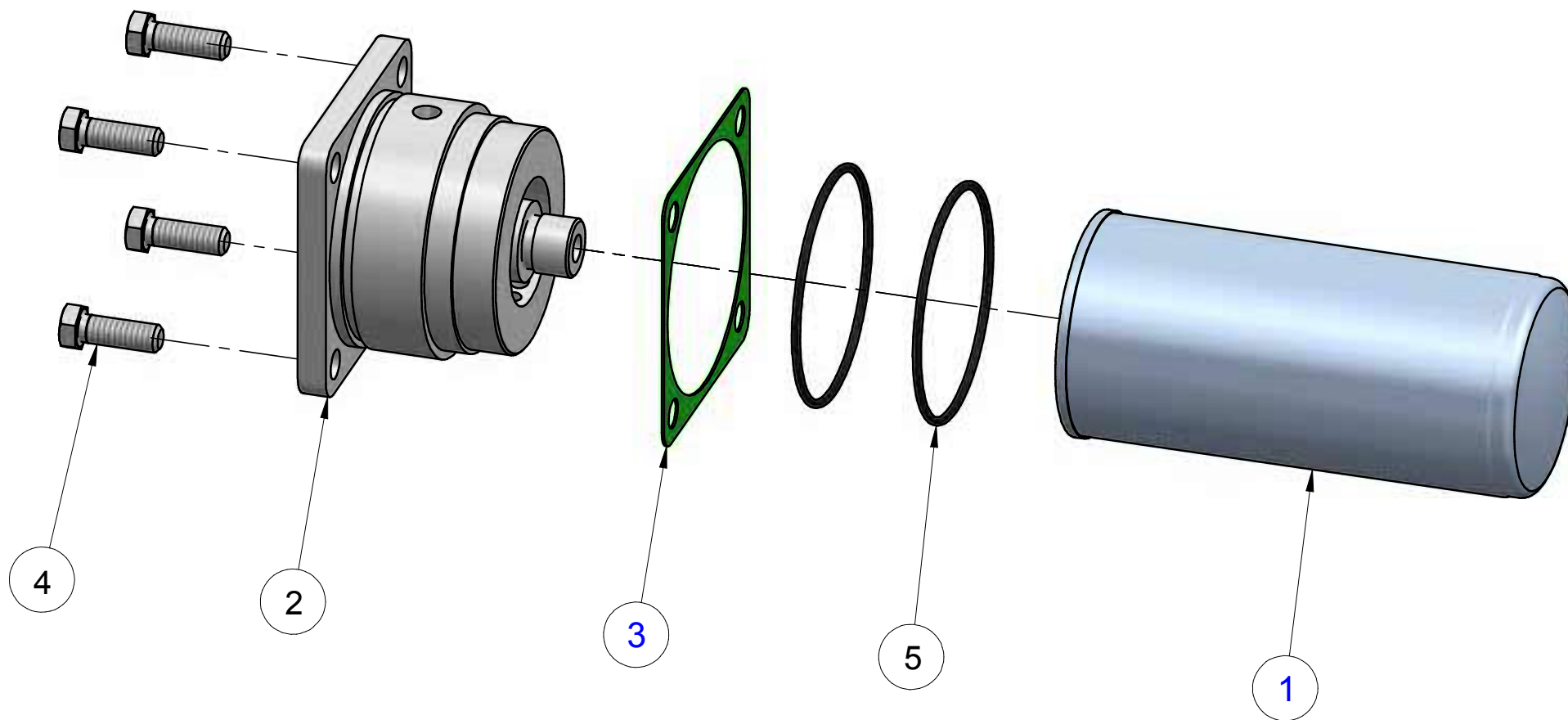
ATTENZIONE: il presente disegno è di esclusiva proprietà REFCOMP. E' fatto divieto di riproduzione e di divulgazione anche parziale secondo quanto regolato dalle norme vigenti.

ATTENTION: the present drawing is exclusively ownership of REFCOMP. Is forbidden to reproduce and to disclose, even if partially, the present document in conformity to law regulation in force.

Pos	Code	Description	Serial number	Note	Q.ty
16	303170	Motor protector kit			1
Kit	303376	Electric box kit '134-S-160/180/210/220' series			1
2	502600	Electric box			1
1	518260	Electrical box cover			1
3	585220	Ground label			1
4	592460	Electrical box gasket			1
5	592470	Electric box cover gasket			2
6	592480	Terminal electric scheme			1
7	592826	Rubber washer gasket ISO 16			2
8	592830	Rubber washer ISO 63			2
9	611150	Galvanized screw M6x14			6
10	613960	Galvanized screw M6x16			6
11	691107	Rubber washer miniplast MP16-6			12
12	691153	Plastic plug ISO 16			2
13	691154	Plastic nut ISO 16			2
14	691161	Plastic plug ISO 63			2
15	691162	Plastic nut ISO 63			2

Terminal box

Model: SRC-S-353_413_463



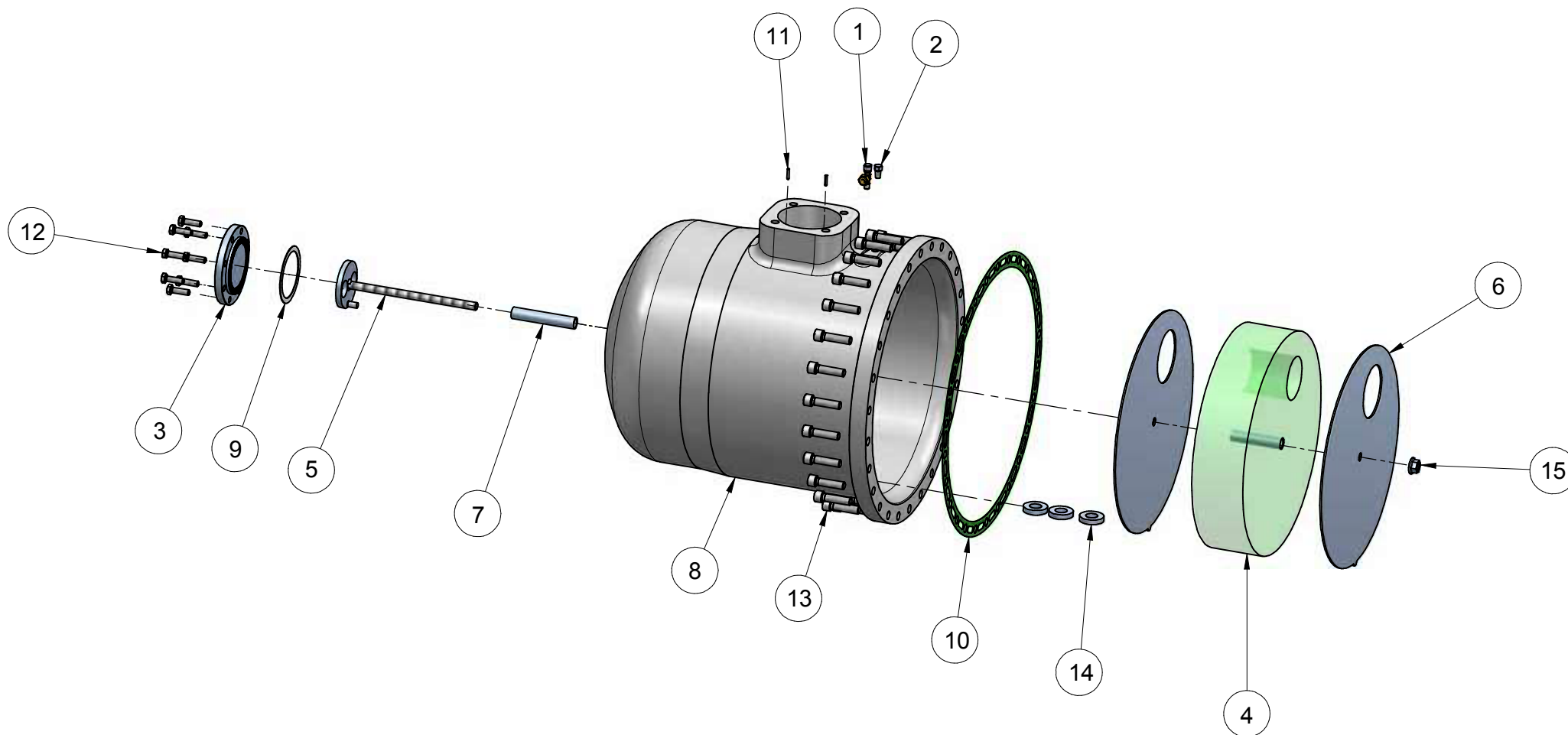
Kit

Oil strainer

ATTENZIONE: il presente disegno è di esclusiva proprietà REFCOMP. E' fatto divieto di riproduzione e di divulgazione anche parziale secondo quanto regolato dalle norme vigenti.

ATTENTION: the present drawing is exclusively ownership of REFCOMP. Is forbidden to reproduce and to disclose, even if partially, the present document in conformity to law regulation in force.

Pos	Code	Description	Serial number	Note	Q.ty
Kit	303671	Oil filter kit '134-S-110/120/140' series			1
1	502830	Oil filter cartridge			1
2	533954	Oil filter plug			1
3	592784	Oil filter plug gasket			1
4	614050	Screw M12x35			4
5	690990	O-ring OR4387			2



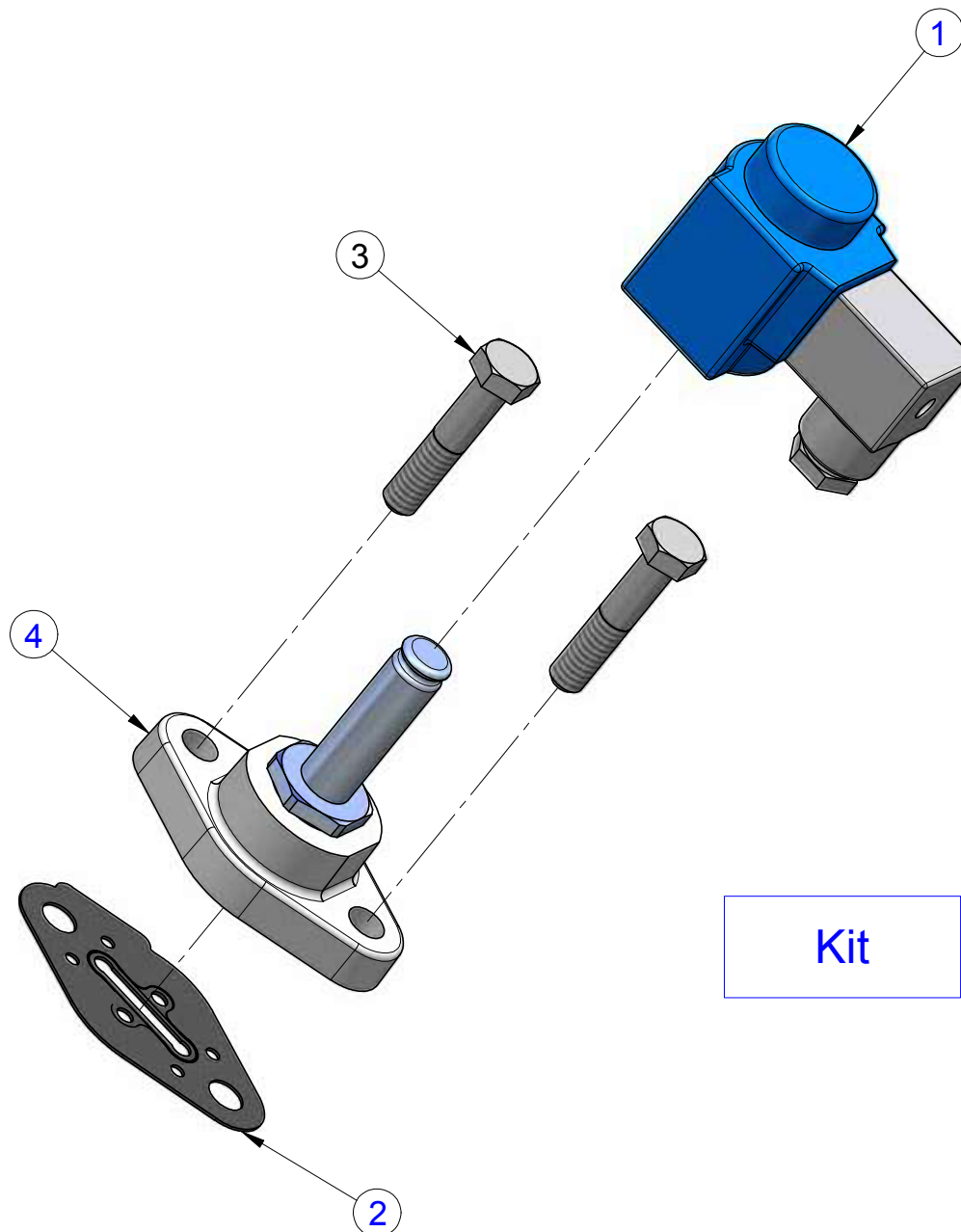
Oil separator

ATTENZIONE: il presente disegno è di esclusiva proprietà REFCOMP.
E' fatto divieto di riproduzione e di divulgazione anche parziale secondo
quanto regolato dalle norme vigenti.

ATTENTION: the present drawing is exclusively ownership of REFCOMP.
Is forbidden to reproduce and to disclose, even if partially, the present
document in conformity to law regulation in force.

Pos	Code	Description	Serial number	Note	Q.ty
1	500261	Tee-piece union 1/8"NPT-1/4"-1/4"SAE			1
2	519143	Plug 1/8" NPT			1
3	519203	High pressure cover plate			1
4	519233	Demister oil separator Ø420x100			1
5	519234	Oil separator tie rod			1
6	519236	Punched metal sheet oil separator			2
7	519238	Spacer L=122			1
8	533836	Finished oil separator			1
9	590250	Shut-off valve gasket Ø87.5xØ106.8x1			1
10	592440	Oil separator/rotor housing gasket			1
11	611810	Elastic pin Ø4x20			2
12	612150	Galvanized screw M10x35			8
13	612470	Screw M14x55			26
14	612490	Magnet			3
15	614517	Klock nut M14 galvanized			1

Model: SRC-S-353_413_463

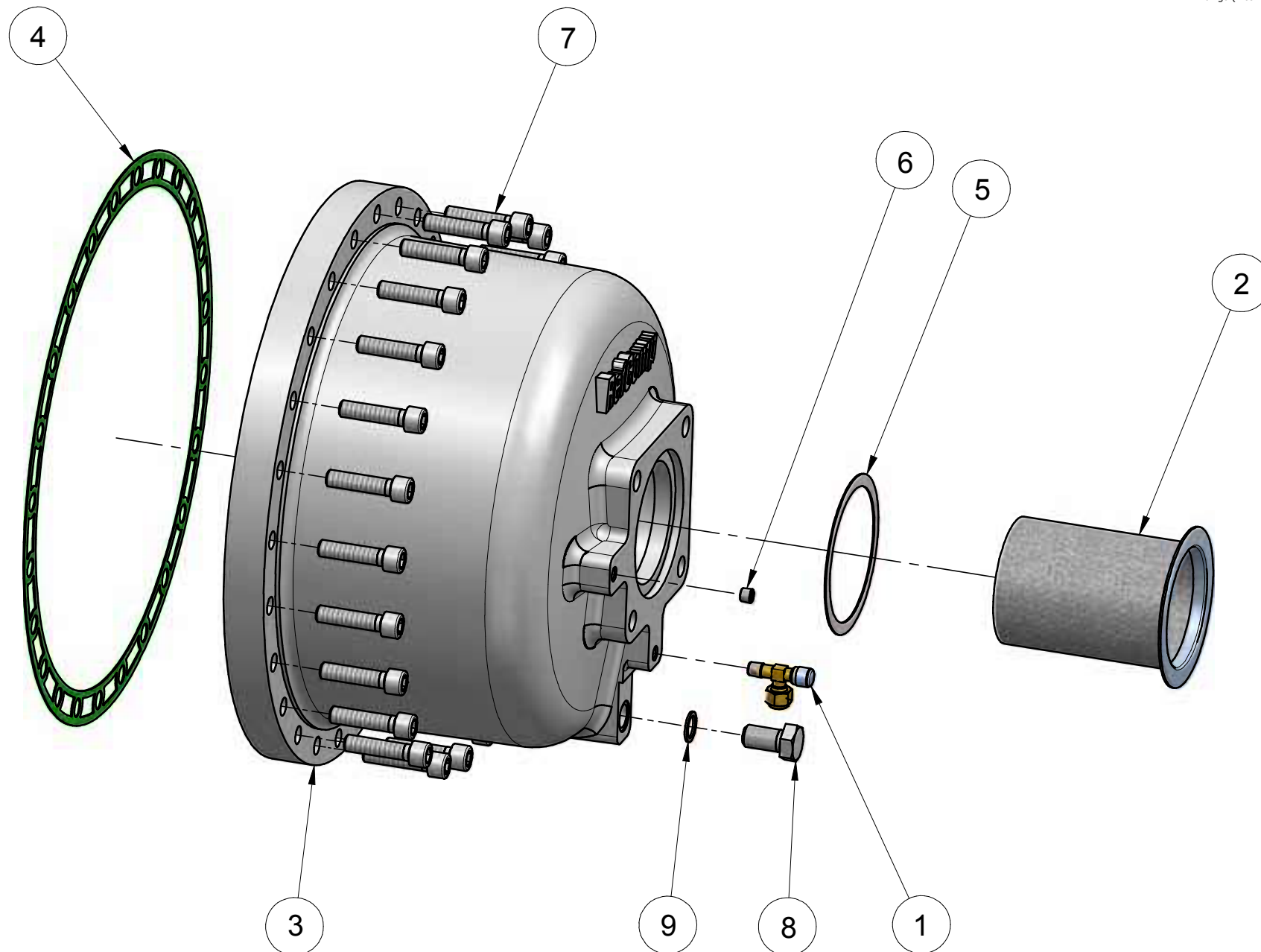


Capacity control solenoid valve

ATTENZIONE: il presente disegno è di esclusiva proprietà REFCOMP.
E' fatto divieto di riproduzione e di divulgazione anche parziale secondo
quanto regolato dalle norme vigenti.

ATTENTION: the present drawing is exclusively ownership of REFCOMP.
Is forbidden to reproduce and to disclose, even if partialy, the present
document in conformity to law regulation in force.

Pos	Code	Description	Serial number	Note	Q.ty
Kit	304123	Solenoid valve kit 230V 50-60Hz R134A			1
1	503330	Coil 230V-50/60Hz			1
2	592731	Solenoid valve gasket l=65			1
3	611370	Screw M10x30			2
4	760450	Solenoid valve			1



Suction cover

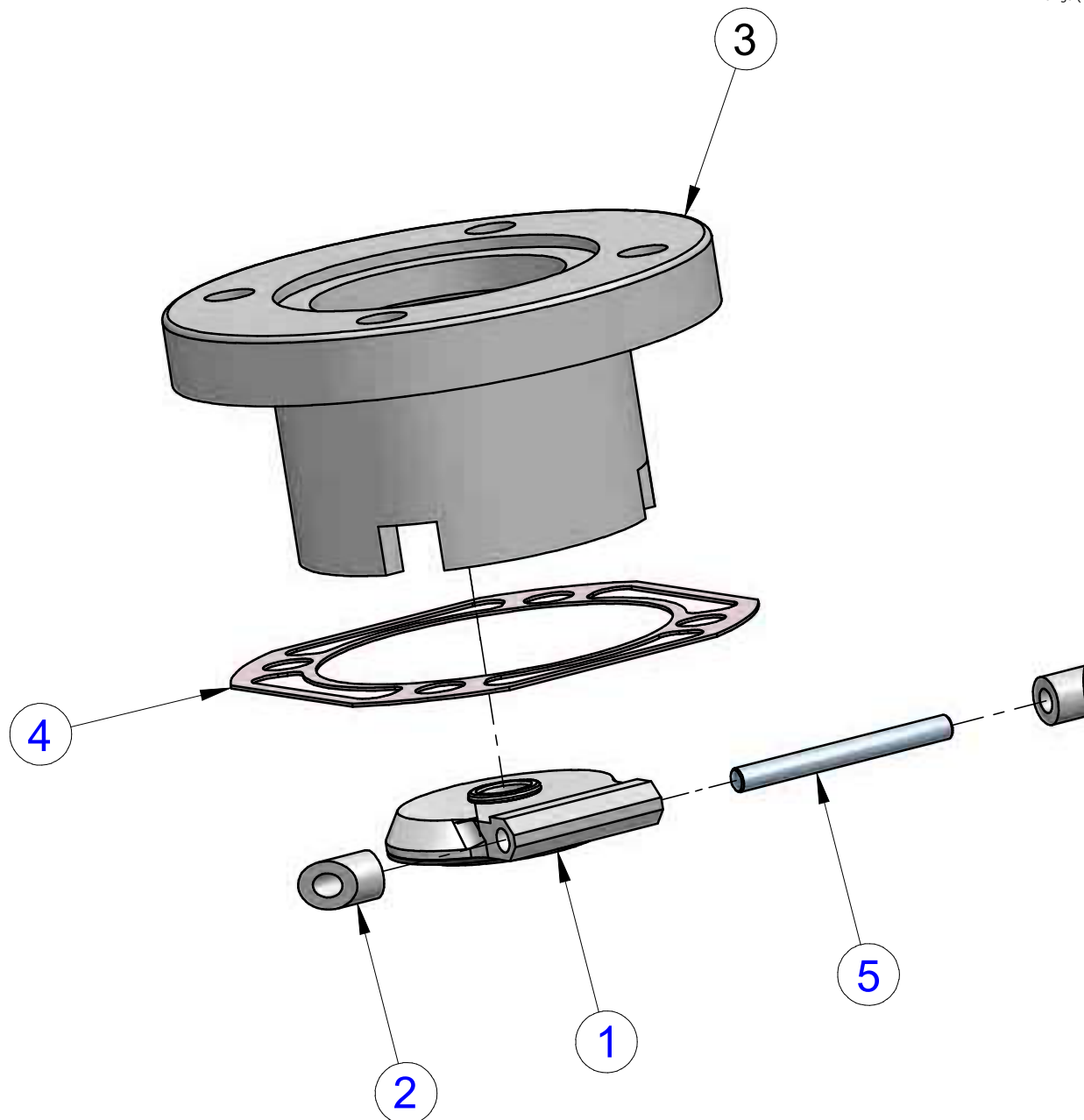
ATTENZIONE: il presente disegno è di esclusiva proprietà REFCOMP. E' fatto divieto di riproduzione e di divulgazione anche parziale secondo quanto regolato dalle norme vigenti.

ATTENTION: the present drawing is exclusively ownership of REFCOMP. Is forbidden to reproduce and to disclose, even if partially, the present document in conformity to law regulation in force.

Pos	Code	Description	Serial number	Note	Q.ty
1	500261	Tee-piece union 1/8"NPT-1/4"-1/4"SAE			1
2	502410	Suction filter			1
3	533150	Suction cover			1
4	590280	Suction cover gasket Ø418x0.8			1
5	591620	Shut-off valve gasket Ø98.5xØ116x1			1
6	610680	Plug 1/8"NPT			1
7	613820	Galvanized screw M12x50			24
8	614571	Screw M16x30			1
9	680030	Copper washer Ø16x22x1.5			1

Suction cover

Kit



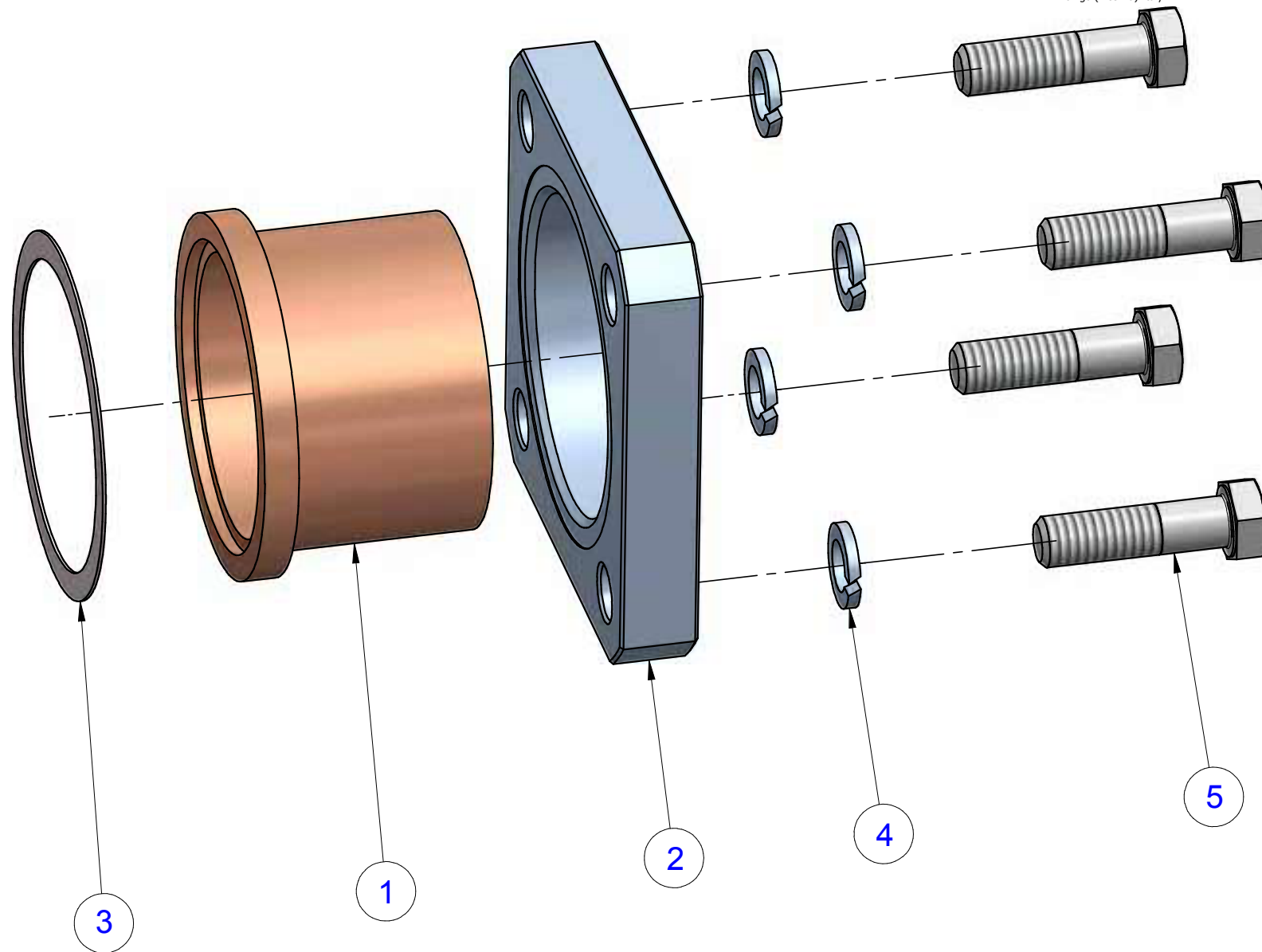
Check valve

ATTENZIONE: il presente disegno è di esclusiva proprietà REFCOMP. E' fatto divieto di riproduzione e di divulgazione anche parziale secondo quanto regolato dalle norme vigenti.

ATTENTION: the present drawing is exclusively ownership of REFCOMP. Is forbidden to reproduce and to disclose, even if partialy, the present document in conformity to law regulation in force.

Pos	Code	Description	Serial number	Note	Q.ty
Kit	303590	Check valve kit			1
1	503113	Check valve			1
2	517420	Insert			2
3	534045	Check valve bush			1
4	592782	Check valve bush gasket			1
5	610980	Cilindrical pin Ø8x80			1

Model: SRC-S-353_413_463



Kit

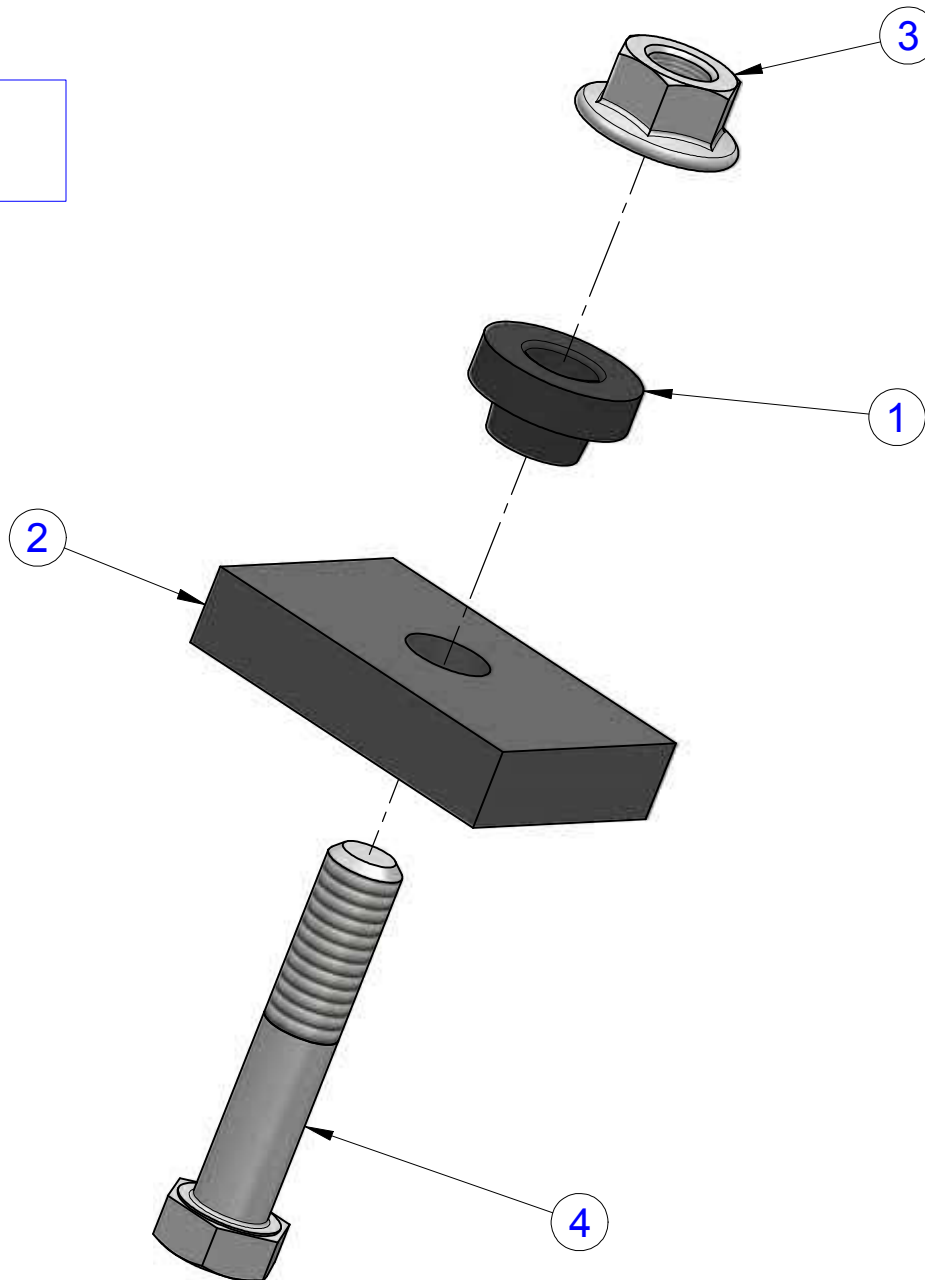
Suction bush

ATTENZIONE: il presente disegno è di esclusiva proprietà REFCOMP. E' fatto divieto di riproduzione e di divulgazione anche parziale secondo quanto regolato dalle norme vigenti.

ATTENTION: the present drawing is exclusively ownership of REFCOMP. Is forbidden to reproduce and to disclose, even if partially, the present document in conformity to law regulation in force.

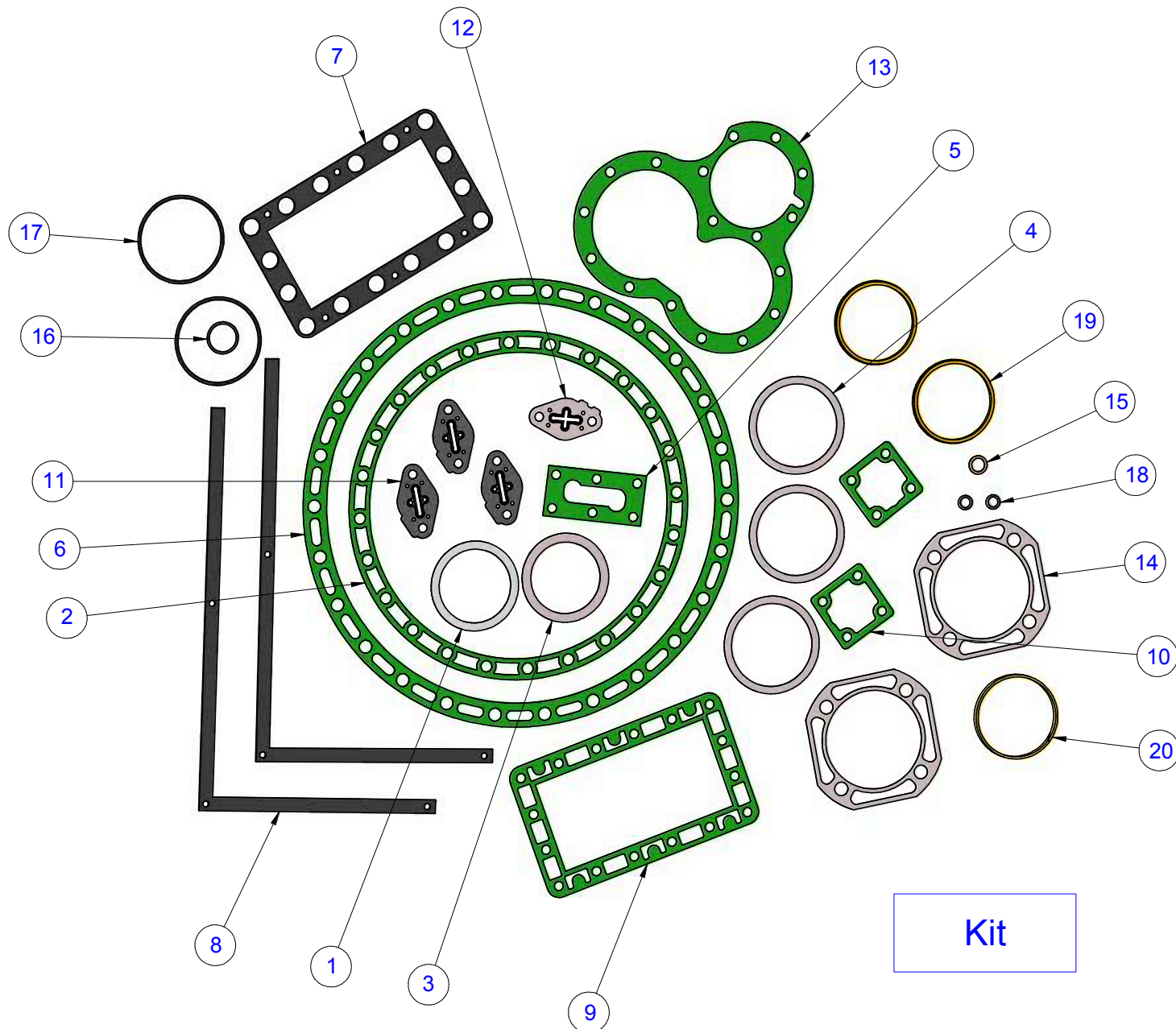
Pos	Code	Description	Serial number	Note	Q.ty
Kit	304174	Flange + bush kit Ø67			1
Kit	304175	Flange + bush kit Ø80			1
Kit	304176	Flange + bush kit Ø92			1
1	513500	Bush Ø92			1
2	513510	Square flange l=108 Ø102			1
1	513910	Bush Ø77			1
1	514330	Bush Ø80			1
1	517880	Bush Ø89			1
1	519256	Bush Ø67			1
3	591620	Shut-off valve gasket Ø98.5xØ116x1			1
4	610940	Galvanized grower washer M16			4
5	611620	Galvanized screw M16x60			4

Kit



Dumpers

Pos	Code	Description	Serial number	Note	Q.ty
Kit	303321	Rubber dumpers kit			1
1	592742	Dumper bush			4
2	592840	Dumper (80°sh)			4
3	614517	Klock nut M14 galvanized			4
4	614525	Galvanized screw M14x70			4

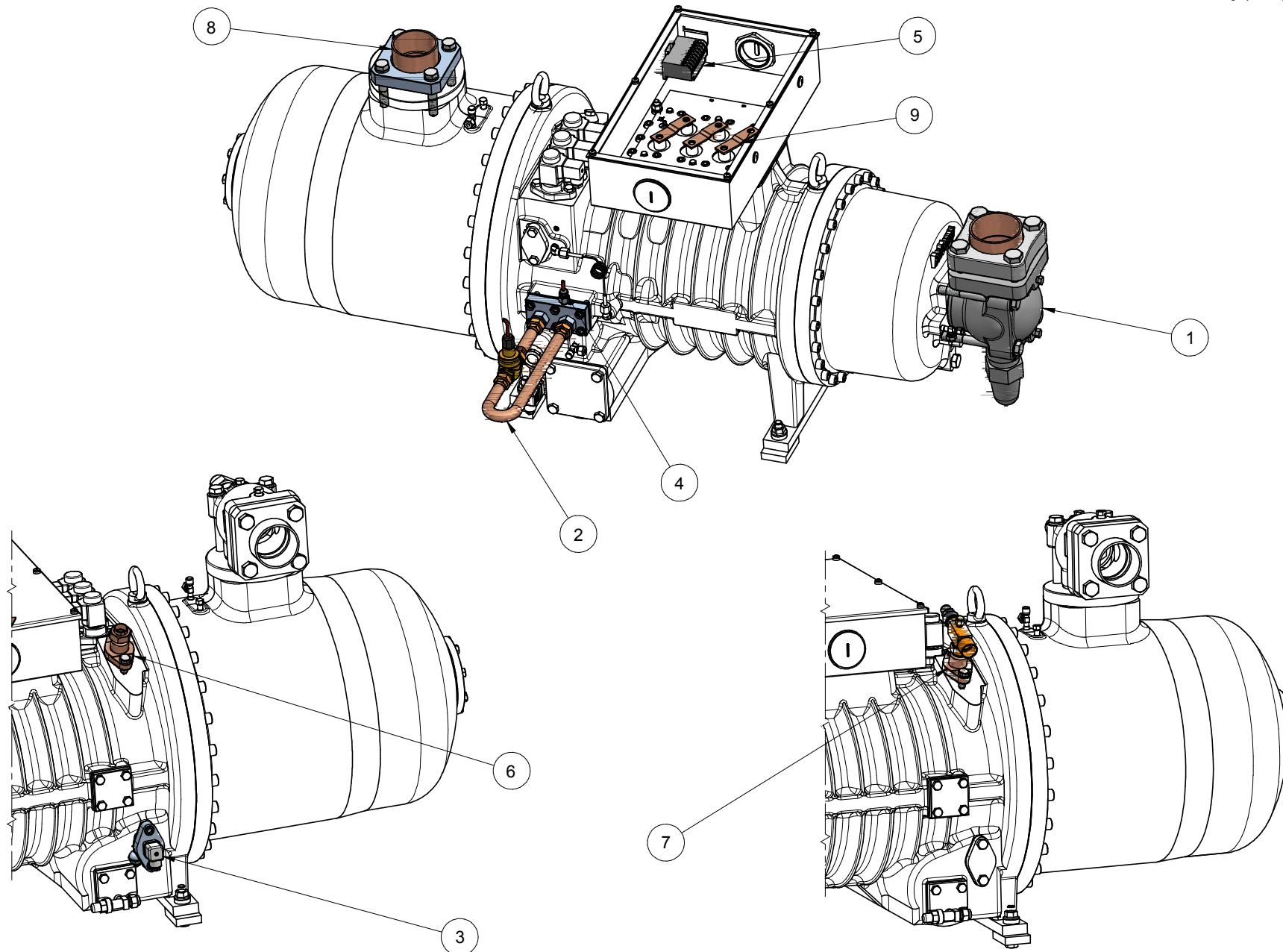


Gaskets

ATTENZIONE: il presente disegno è di esclusiva proprietà REFCOMP. E' fatto divieto di riproduzione e di divulgazione anche parziale secondo quanto regolato dalle norme vigenti.

ATTENTION: the present drawing is exclusively ownership of REFCOMP. Is forbidden to reproduce and to disclose, even if partially, the present document in conformity to law regulation in force.

Pos	Code	Description	Serial number	Note	Q.ty
Kit	303181	Gasket kit			1
1	590250	Shut-off valve gasket Ø87.5xØ106.8x1			1
2	590280	Suction cover gasket Ø418x0.8			1
3	591130	Shut-off valve gasket Ø84.8xØ105.8x1			1
4	591620	Shut-off valve gasket Ø98.5xØ116x1			3
5	592320	Oil connection plate gasket "SRC-S-353/603 series"			1
6	592440	Oil separator/rotor housing gasket			1
7	592460	Electrical box gasket			1
8	592470	Electric box cover gasket			2
9	592729	Terminal plate gasket			1
10	592730	Closing plate gasket 75x75			2
11	592731	Solenoid valve gasket l=65			3
12	592732	Step load gasket 'L4'			1
13	592734	Bearing housing cover gasket			1
14	592782	Check valve bush gasket			2
15	680030	Copper washer Ø16x22x1.5			1
16	690080	O-ring OR3131			1
17	690990	O-ring OR4387			2
18	691081	O-ring OR115			2
19	691143	Gasket			2
20	691146	Band gasket control piston			1



Optional

ATTENZIONE: il presente disegno è di esclusiva proprietà REFCOMP. E' fatto divieto di riproduzione e di divulgazione anche parziale secondo quanto regolato dalle norme vigenti.

ATTENTION: the present drawing is exclusively ownership of REFCOMP. Is forbidden to reproduce and to disclose, even if partially, the present document in conformity to law regulation in force.

Pos	Code	Description	Serial number	Note	Q.ty
1	303981	Shut-off valve kit l=108 Ø67			1
1	301730	Shut-off valve kit l=108 Ø77			1
1	301510	Shut-off valve kit l=108 Ø80			1
1	301550	Shut-off valve kit l=108 Ø92		Standard Kit	1
2	303675	Oil flow switch kit without motor protector INT69VS			1
2	303817	Oil flow switch kit with motor protector INT69VS 230V			1
2	304090	Oil flow switch kit with motor protector INT69VS 110V			1
2	304091	Oil flow switch kit with motor protector INT69VS 24V			1
3	303244	Oil level float kit			1
4	303532	Temperature probe kit 120°C			1
5	303170	Motor protector kit			1
6	303148	Liquid injection kit			1
7	303151	ECO shut-off valve kit			1
8	304170	Flange + bush kit Ø80		Standard Kit	1
9	303193	Direct starting kit l=68.2			1

Optional