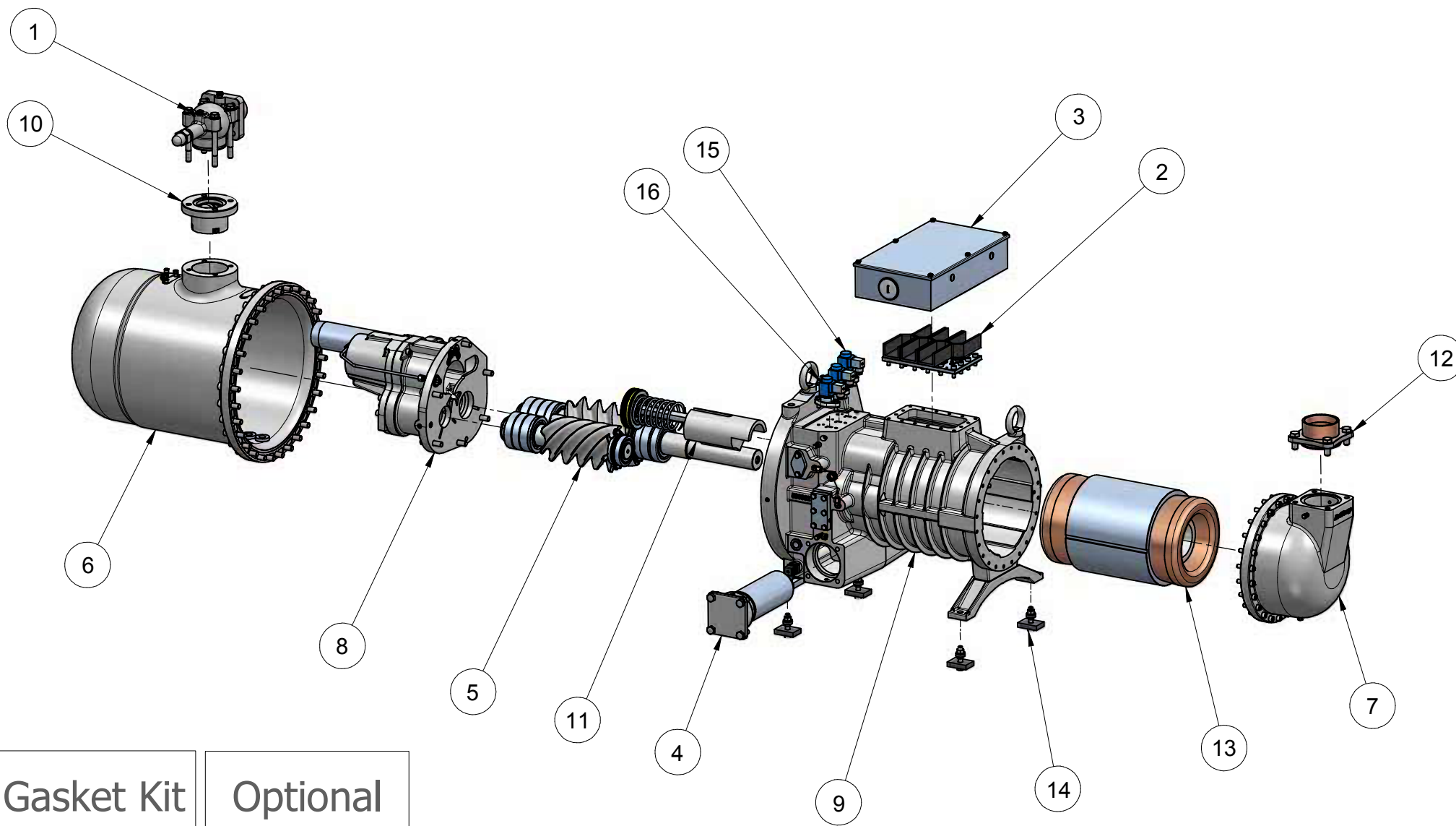


Model: "SRC-S" Series



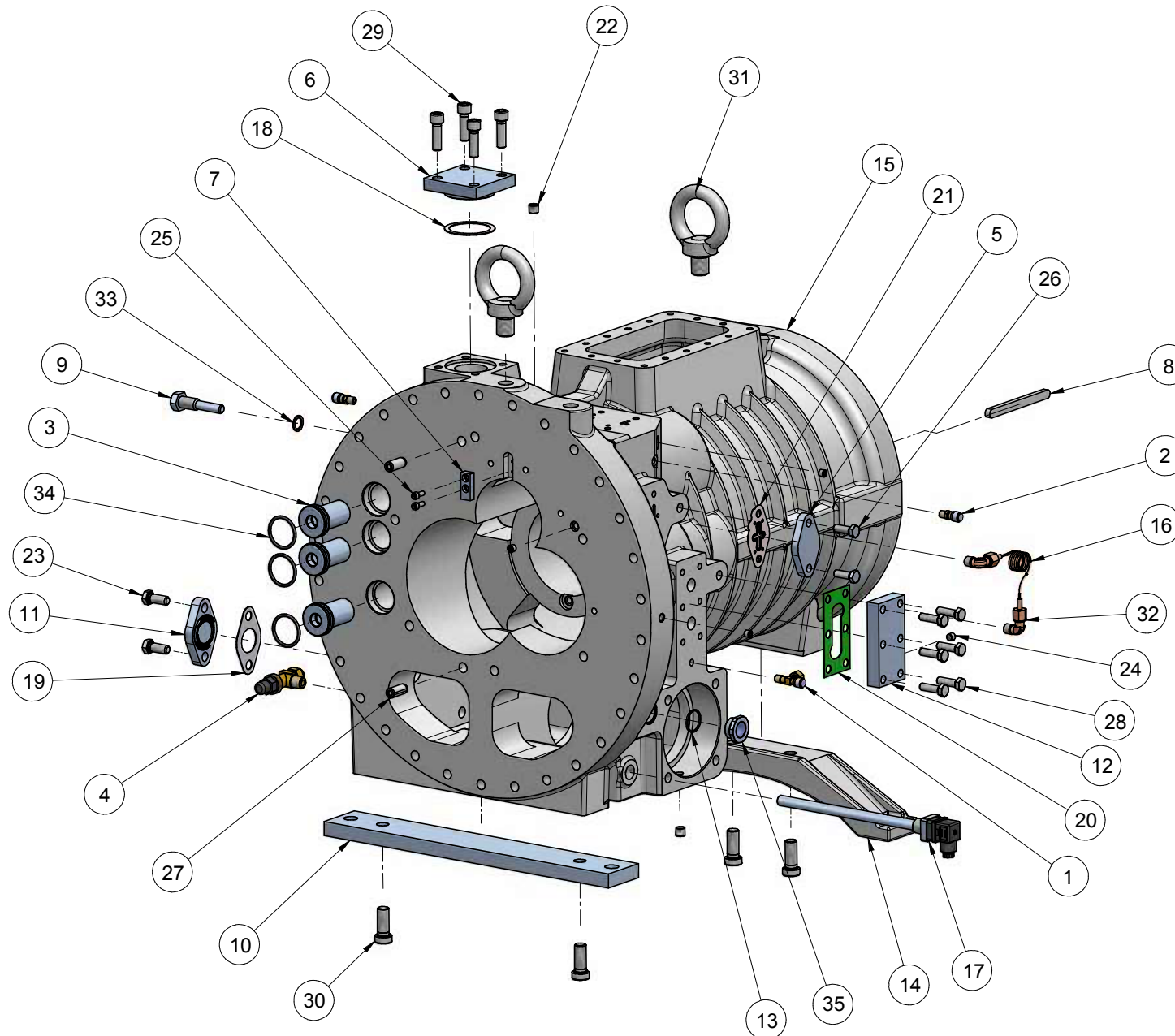
Gasket Kit

Optional

SRC-S-503_553_603

ATTENZIONE: il presente disegno è di esclusiva proprietà REFCOMP. E' fatto divieto di riproduzione e di divulgazione anche parziale secondo quanto regolato dalle norme vigenti.

ATTENTION: the present drawing is exclusively ownership of REFCOMP. Is forbidden to reproduce and to disclose, even if partially, the present document in conformity to law regulation in force.



SRC-S-503_553_603 Rotor housing

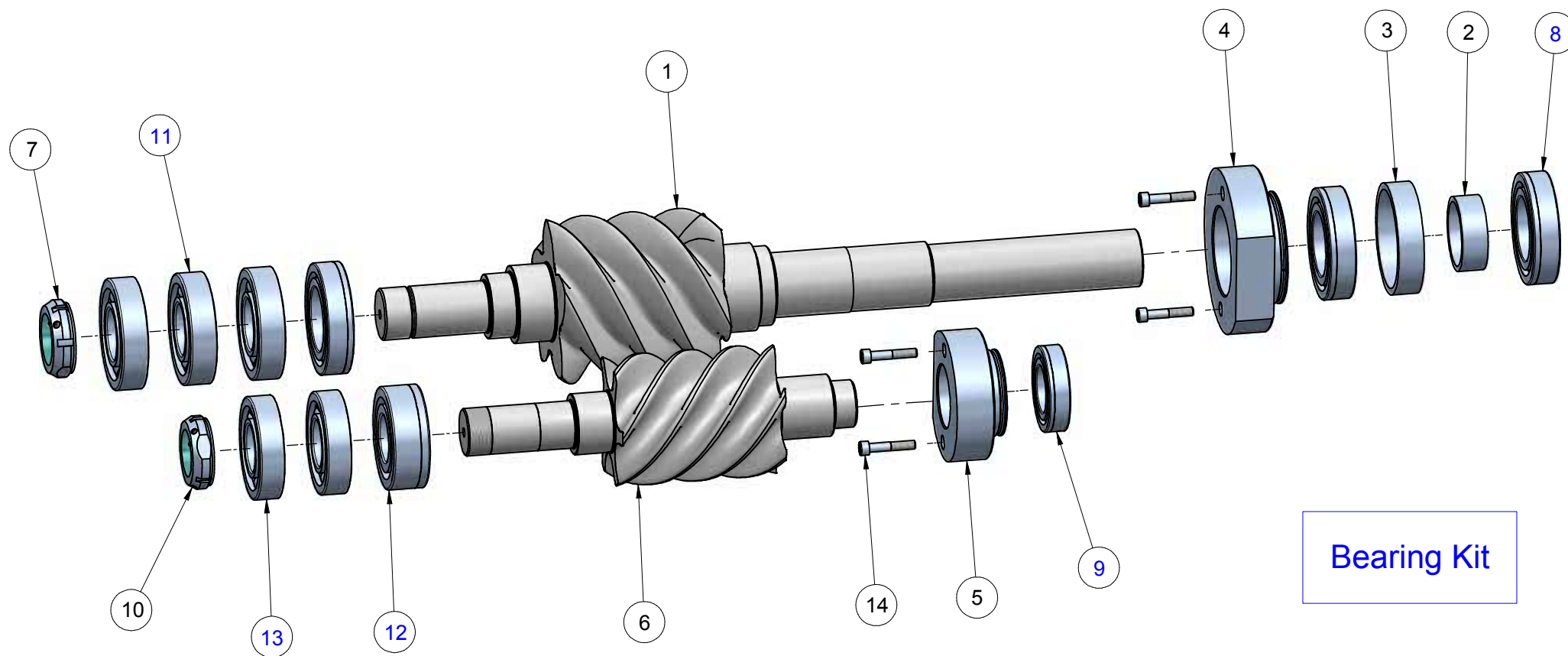
ATTENZIONE: il presente disegno è di esclusiva proprietà REFCOMP.
E' fatto divieto di riproduzione e di divulgazione anche parziale secondo
quanto regolato dalle norme vigenti.

ATTENTION: the present drawing is exclusively ownership of REFCOMP.
Is forbidden to reproduce and to disclose, even if partially, the present
document in conformity to law regulation in force.

Pos	Code	Description	Serial number	Note	Q.ty
1	500261	Tee-piece union 1/8"NPT-1/4"-1/4"SAE			1
2	500263	Straight connection 1/8"NPT-1/4"SAE			2
3	502570	Safety valve 30bar Ø38			3
4	503335	3/8"NPT oil discharge valve assembly			1
5	510170	Closing oval plate l=65			1
6	512041	Closing plate Ø70 (63.6X63.6)			1
7	514660	Key 16x10x38			1
8	514760	Key 11.95x8x140			1
9	517220	Stator fixing screw			1
10	517610	Compressor supporting plate			1
11	518270	Closing oval plate l=70			1
12	519290	Oil and probe connection plate "SRC-S-353/603 series"			1
13	520664	Aluminium ring Ø28.6xØ31.8x2			1
14	533957	Compressor supporting plate			1
15	533961	Rotor housing			1
16	540701	Capillary L=838 Ø1.78			1
17	583110	Crankcase heater 230V 275W Ø14			1
18	590790	Shut-off valve gasket Ø57xØ70x1			1
19	591030	Oval flange gasket l=70			1
20	592320	Oil connection plate gasket "SRC-S-353/603 series"			1
21	592732	Step load gasket 'L4'			1
22	610050	Plug 1/4"NPT			2
23	610640	Screw M12x30			2
24	610680	Plug 1/8"NPT			4
25	611120	Screw M6x16			2
26	611370	Screw M10x30			2
27	611940	Cylindrical pin Ø14x35			2
28	612150	Galvanized screw M10x35			6
29	612460	Screw M12x40			4
30	613420	Screw M16x40			4
31	614531	Eyebolt M24			2
32	640610	90° connection 1/4"NPT			2
33	680030	Copper washer Ø16x22x1.5			1
34	691030	O-ring OR144			3
35	700210	Sight glass cover 1"1/8-18UNEF			1

SRC-S-503_553_603 Rotor housing

www.refcomp.it
spareparts@refcomp.it

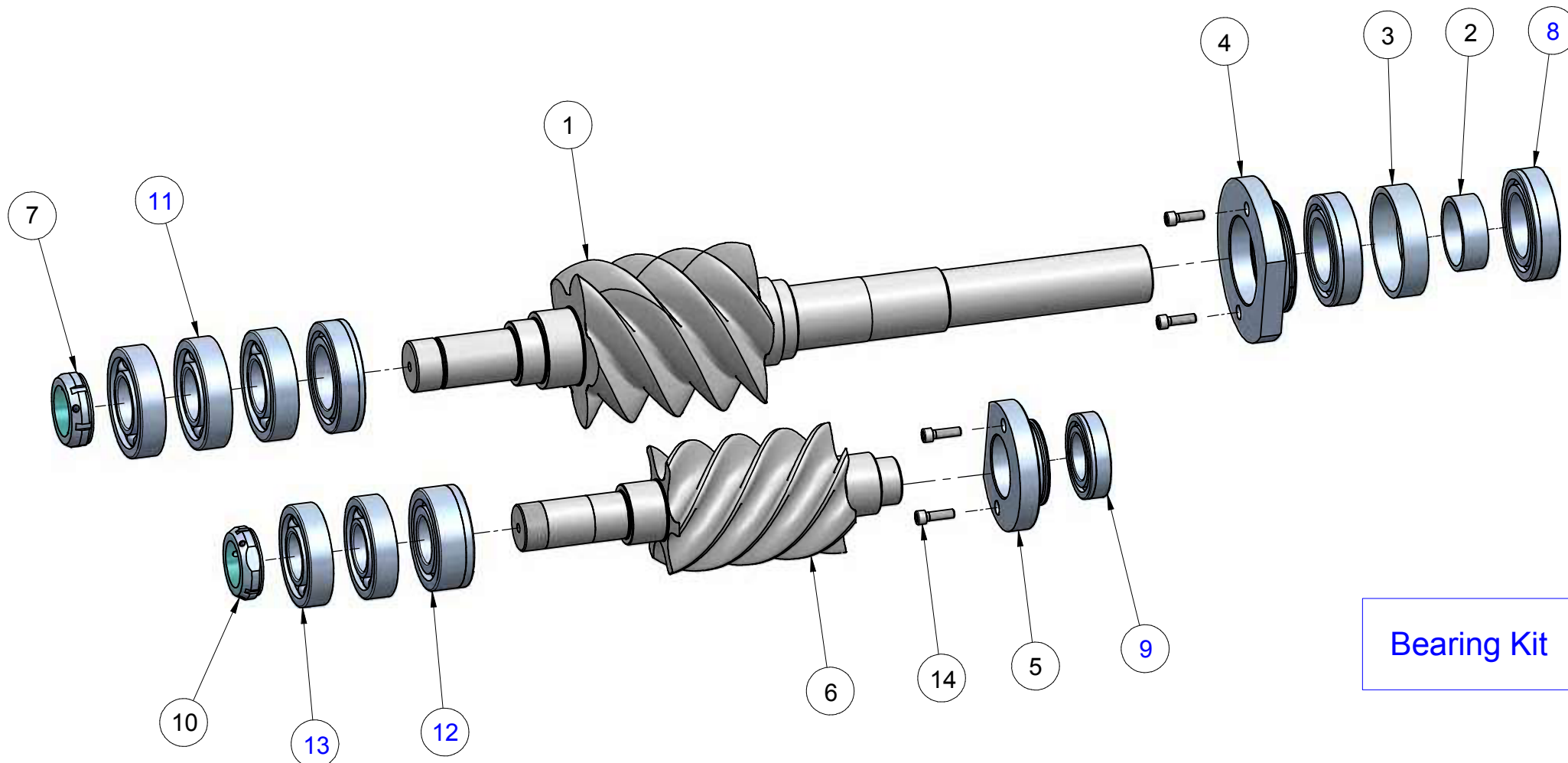


SRC-S-503 Rotor

ATTENZIONE: il presente disegno è di esclusiva proprietà REFCOMP. E' fatto divieto di riproduzione e di divulgazione anche parziale secondo quanto regolato dalle norme vigenti.

ATTENTION: the present drawing is exclusively ownership of REFCOMP. Is forbidden to reproduce and to disclose, even if partially, the present document in conformity to law regulation in force.

Pos	Code	Description	Serial number	Note	Q.ty
Kit	303369	Bearings kit			1
1	502994	Male rotor 'SRC-S-503' series			1
2	519329	Bearing internal spacer Ø75xØ87x30			1
3	519330	Bearing external spacer Ø115xØ130x30			1
4	519336	Male rotor suction bush 'SRC-S-503' series			1
5	519337	Female rotor suction bush 'SRC-S-503' series			1
6	533907	Female rotor 'SRC-S-503' series			1
7	612730	Block nut M60x2			1
8	613640	Cylindrical roller bearing			3
9	613650	Cylindrical roller bearing			1
10	613680	Block nut M55x2			1
11	614040	Ball bearing			3
12	614513	Cylindrical roller bearing			1
13	614514	Ball bearing			2
14	614546	Screw M10x55			4

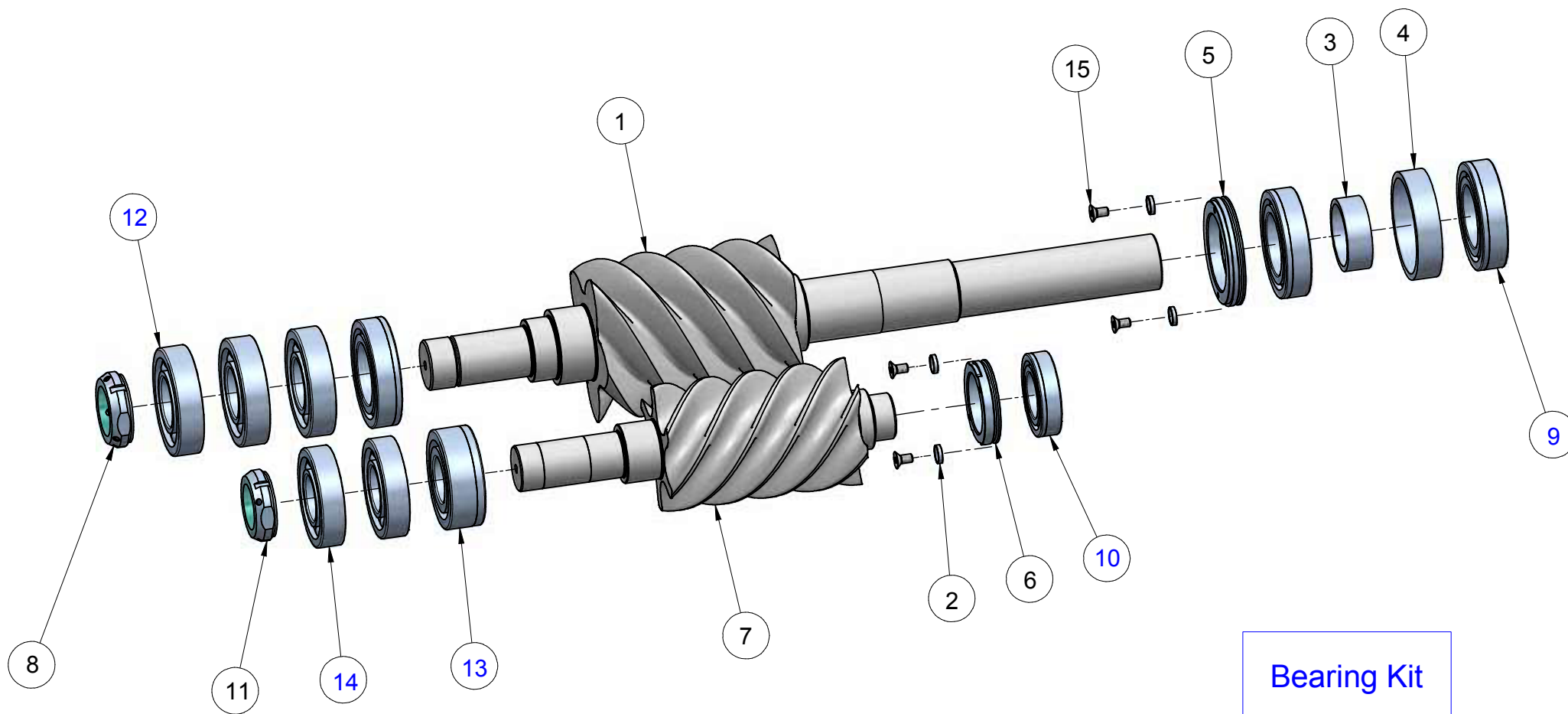


SRC-S-553 Rotor

ATTENZIONE: il presente disegno è di esclusiva proprietà REFCOMP. E' fatto divieto di riproduzione e di divulgazione anche parziale secondo quanto regolato dalle norme vigenti.

ATTENTION: the present drawing is exclusively ownership of REFCOMP. Is forbidden to reproduce and to disclose, even if partialy, the present document in conformity to law regulation in force.

Pos	Code	Description	Serial number	Note	Q.ty
Kit	303369	Bearings kit			1
1	502995	Male rotor 'SRC-S-553' series			1
2	519329	Bearing internal spacer Ø75xØ87x30			1
3	519330	Bearing external spacer Ø115xØ130x30			1
4	519338	Male rotor suction bush 'SRC-S-553' series			1
5	519339	Female rotor suction bush 'SRC-S-553' series			1
6	533908	Female rotor 'SRC-S-553' series			1
7	612730	Block nut M60x2			1
8	613640	Cylindrical roller bearing			3
9	613650	Cylindrical roller bearing			1
10	613680	Block nut M55x2			1
11	614040	Ball bearing			3
12	614513	Cylindrical roller bearing			1
13	614514	Ball bearing			2
14	614544	Screw M10x35			4



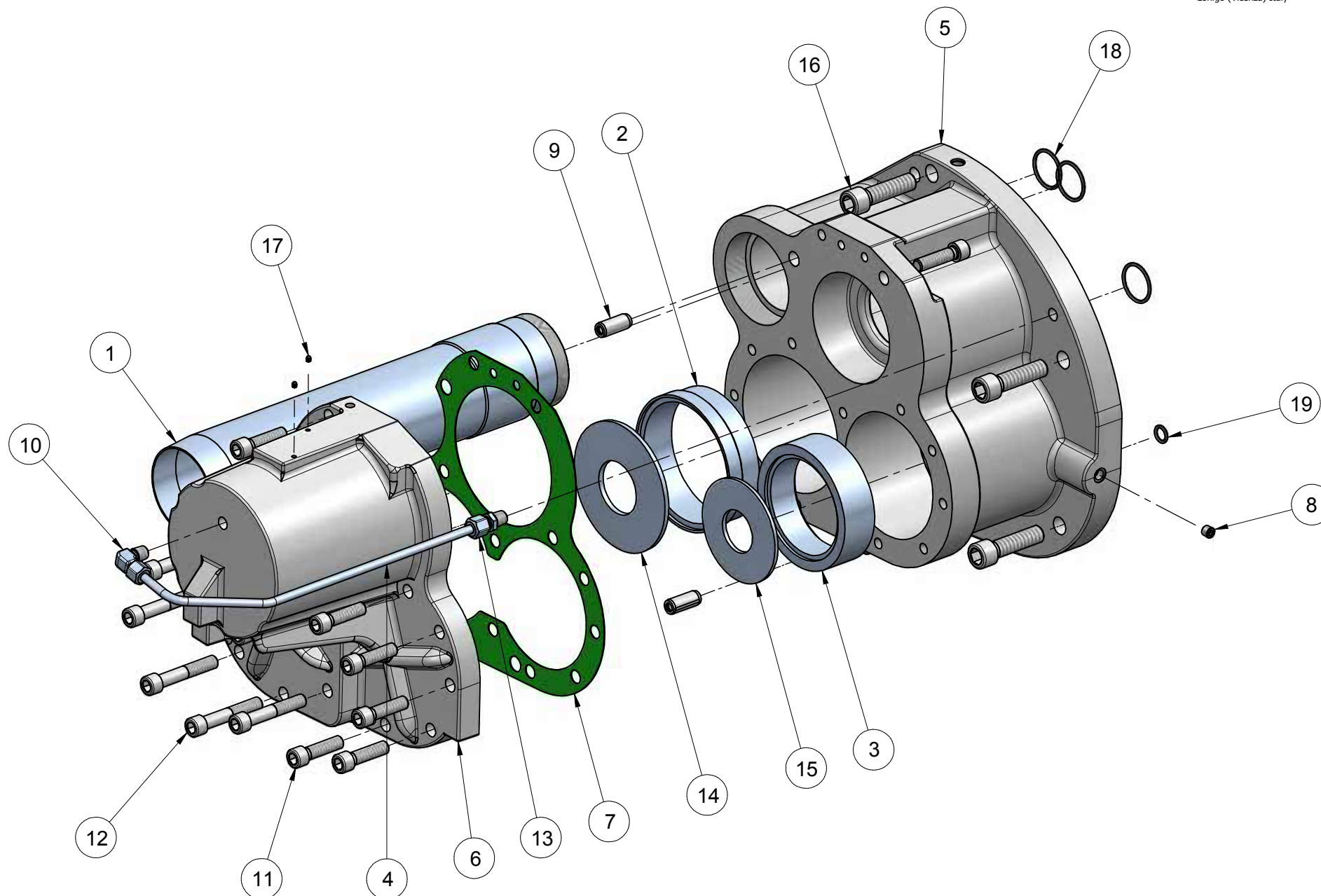
Bearing Kit

SRC-S-603 Rotor

ATTENZIONE: il presente disegno è di esclusiva proprietà REFCOMP. E' fatto divieto di riproduzione e di divulgazione anche parziale secondo quanto regolato dalle norme vigenti.

ATTENTION: the present drawing is exclusively ownership of REFCOMP. Is forbidden to reproduce and to disclose, even if partially, the present document in conformity to law regulation in force.

Pos	Code	Description	Serial number	Note	Q.ty
Kit	303369	Bearings kit			1
1	502996	Male rotor 'SRC-S-603' series			1
2	519260	Stopping flared washer M10			4
3	519329	Bearing internal spacer Ø75xØ87x30			1
4	519330	Bearing external spacer Ø115xØ130x30			1
5	519340	Male rotor suction bush 'SRC-S-603' series			1
6	519341	Female rotor suction bush 'SRC-S-603' series			1
7	533909	Female rotor 'SRC-S-603' series			1
8	612730	Block nut M60x2			1
9	613640	Cylindrical roller bearing			3
10	613650	Cylindrical roller bearing			1
11	613680	Block nut M55x2			1
12	614040	Ball bearing			3
13	614513	Cylindrical roller bearing			1
14	614514	Ball bearing			2
15	614529	Screw M10x20			4



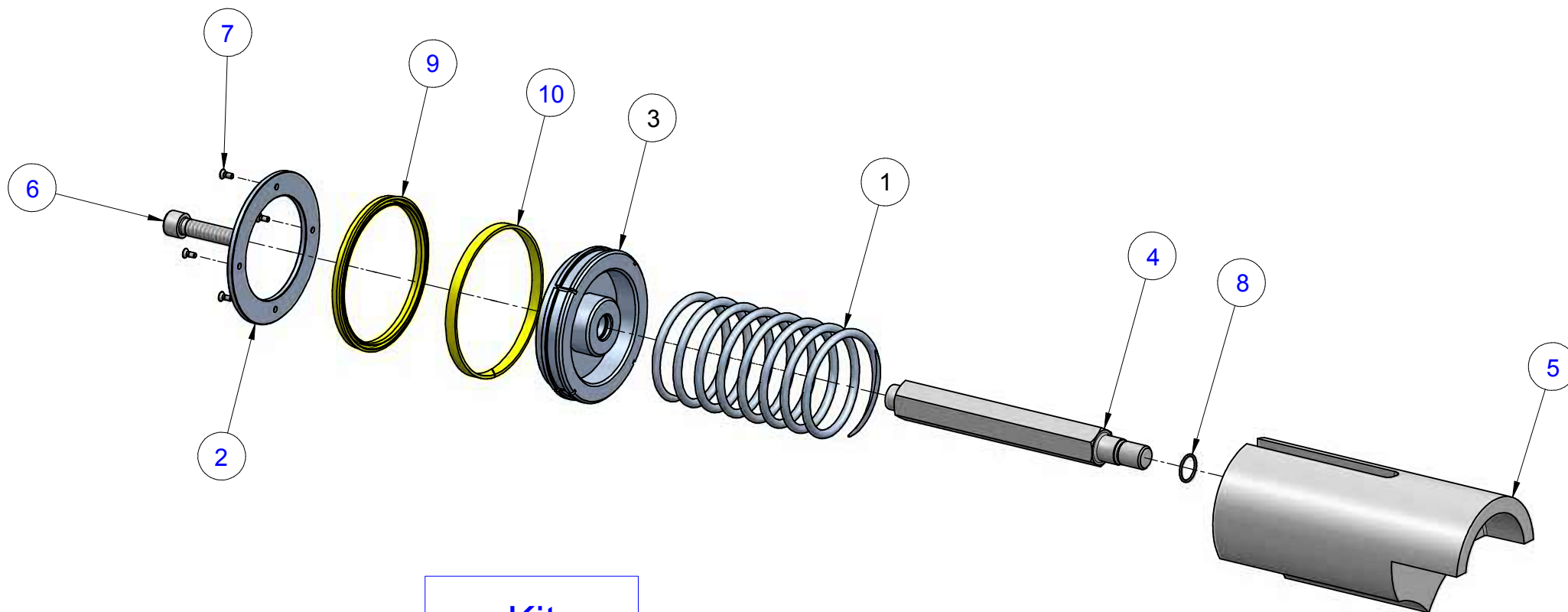
Bearing housing + bearing housing cover

ATTENZIONE: il presente disegno è di esclusiva proprietà REFCOMP.
E' fatto divieto di riproduzione e di divulgazione anche parziale secondo
quanto regolato dalle norme vigenti.

ATTENTION: the present drawing is exclusively ownership of REFCOMP.
Is forbidden to reproduce and to disclose, even if partially, the present
document in conformity to law regulation in force.

Pos	Code	Description	Serial number	Note	Q.ty
1	519317	Discharge pipe Ø88.9x430			1
2	519331	Bearing spacer Ø130.5x37			1
3	519332	Bearing spacer Ø120x36			1
4	519343	Oil pipe bearing housing connection			1
5	533914	Bearing housing			1
6	533916	Bearing housing cover			1
7	592761	Bearing housing cover gasket			1
8	610680	Plug 1/8"NPT			1
9	611940	Cylindrical pin Ø14x35			2
10	612400	90° connection 1/4"NPT			1
11	612542	Screw M12x45			7
12	612543	Screw M12x70			7
13	612770	Straight connection 1/4"NPT			1
14	613730	Conical spring Ø51xØ125x4			1
15	613740	Conical spring Ø41xØ100x4			1
16	614020	Screw M16x60			6
17	614470	Koenig expander pin			2
18	690080	O-ring OR3131			3
19	691081	O-ring OR115			1

Bearing housing + bearing housing cover



Kit

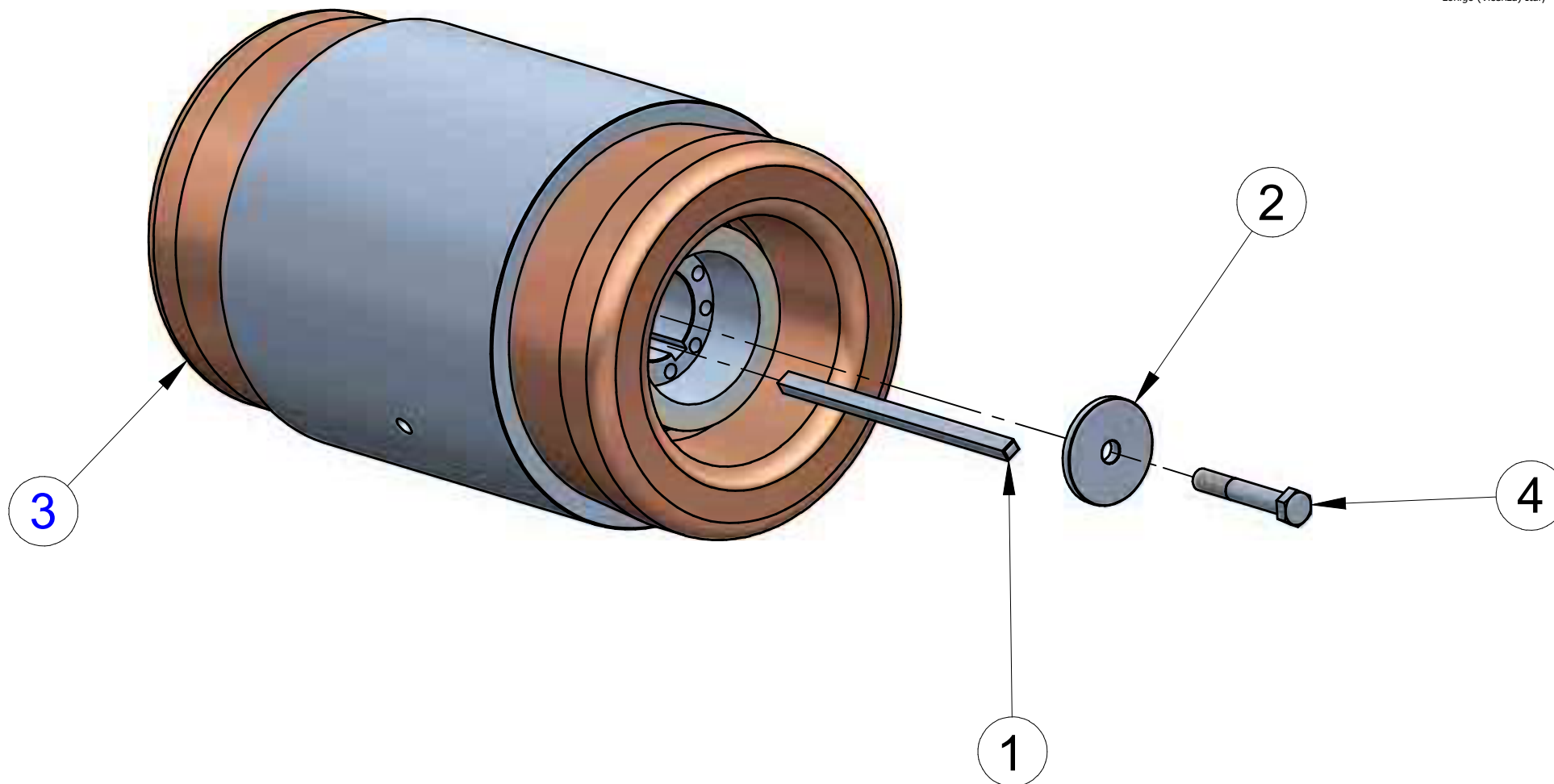
Slide valve

ATTENZIONE: il presente disegno è di esclusiva proprietà REFCOMP. E' fatto divieto di riproduzione e di divulgazione anche parziale secondo quanto regolato dalle norme vigenti.

ATTENTION: the present drawing is exclusively ownership of REFCOMP. Is forbidden to reproduce and to disclose, even if partially, the present document in conformity to law regulation in force.

Pos	Code	Description	Serial number	Note	Q.ty
Kit	304165	Slide valve kit Vi=2.6			1
1	519191	Spring slide valve			1
2	519224	Front part control piston			1
3	519342	Control piston			1
4	519521	Control piston rod L=198.5			1
5	519643	Slide valve Vi=2.2			1
5	519644	Slide valve Vi=2.2			1
5	519711	Slide valve Vi=2.2			1
5	534116	Slide valve Vi=2.6			1
5	534117	Slide valve Vi=3.2			1
5	534290	Slide valve Vi=4.4			1
6	612470	Screw M14x55			1
7	612980	Screw M4x10			4
8	690160	O-ring OR2081			1
9	691131	Gasket			1
10	691132	Band gasket control piston			1
Kit	304183	Slide valve kit Vi=3.2			1

Model: SRC-S-503_553_603



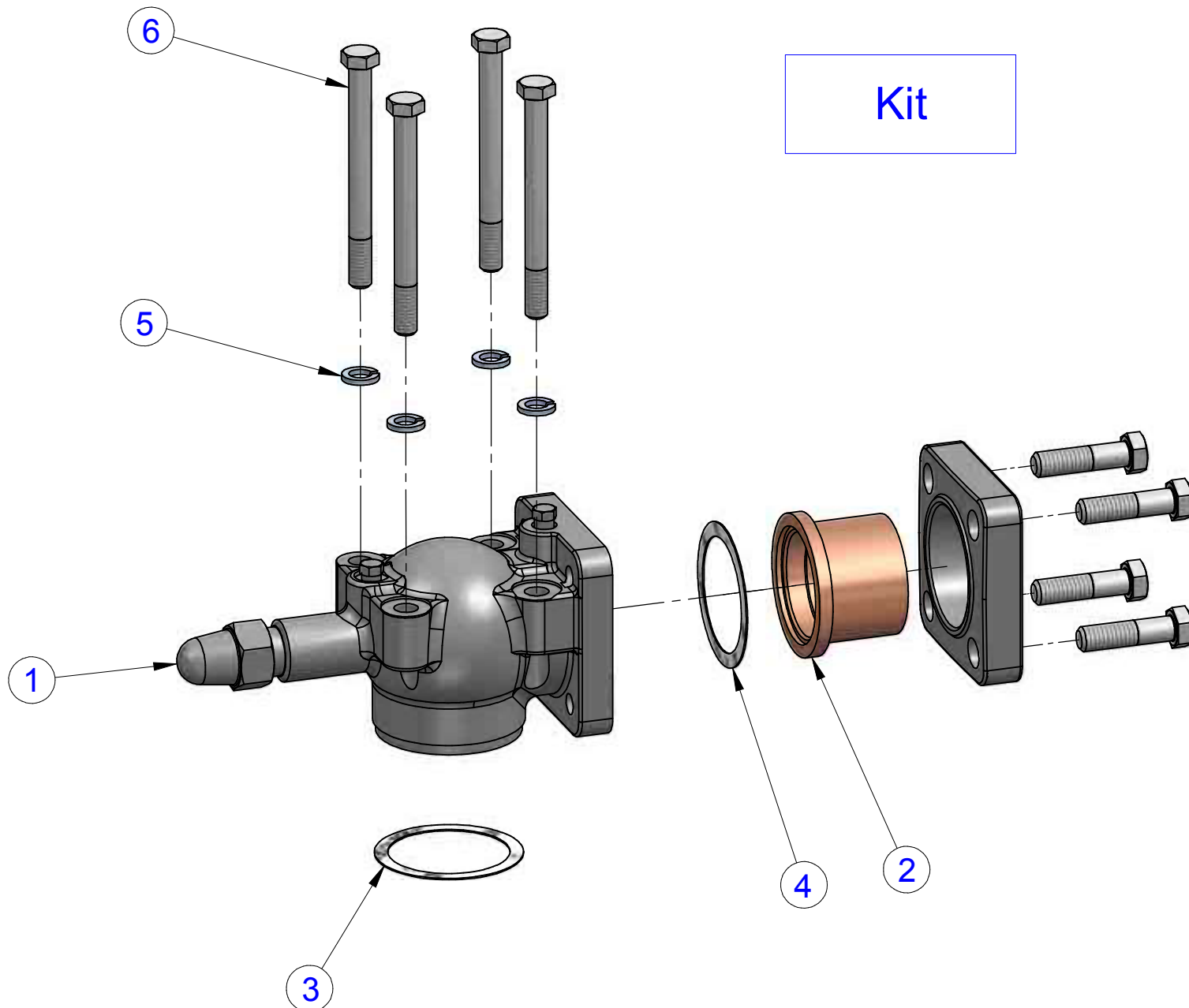
Kit

Electrical motor

ATTENZIONE: il presente disegno è di esclusiva proprietà REFCOMP. E' fatto divieto di riproduzione e di divulgazione anche parziale secondo quanto regolato dalle norme vigenti.

ATTENTION: the present drawing is exclusively ownership of REFCOMP. Is forbidden to reproduce and to disclose, even if partially, the present document in conformity to law regulation in force.

Pos	Code	Description	Serial number	Note	Q.ty
Kit	303658	Electric motor kit 400V/3/50Hz Y/D			1
Kit	303659	Electric motor kit 400V/3/50Hz Y/D			1
Kit	303660	Electric motor kit 400V/3/50Hz Y/D			1
1	516770	Key 12.7x10x254			1
2	517240	Shaft washer			1
3	583752	Electric motor 400V/3/50Hz Y/D			1
3	583753	Electric motor 400V/3/50Hz Y/D			1
3	583754	Electric motor 400V/3/50Hz Y/D			1
4	614180	Screw M16x80			1
4	614487	Screw M16x100			1



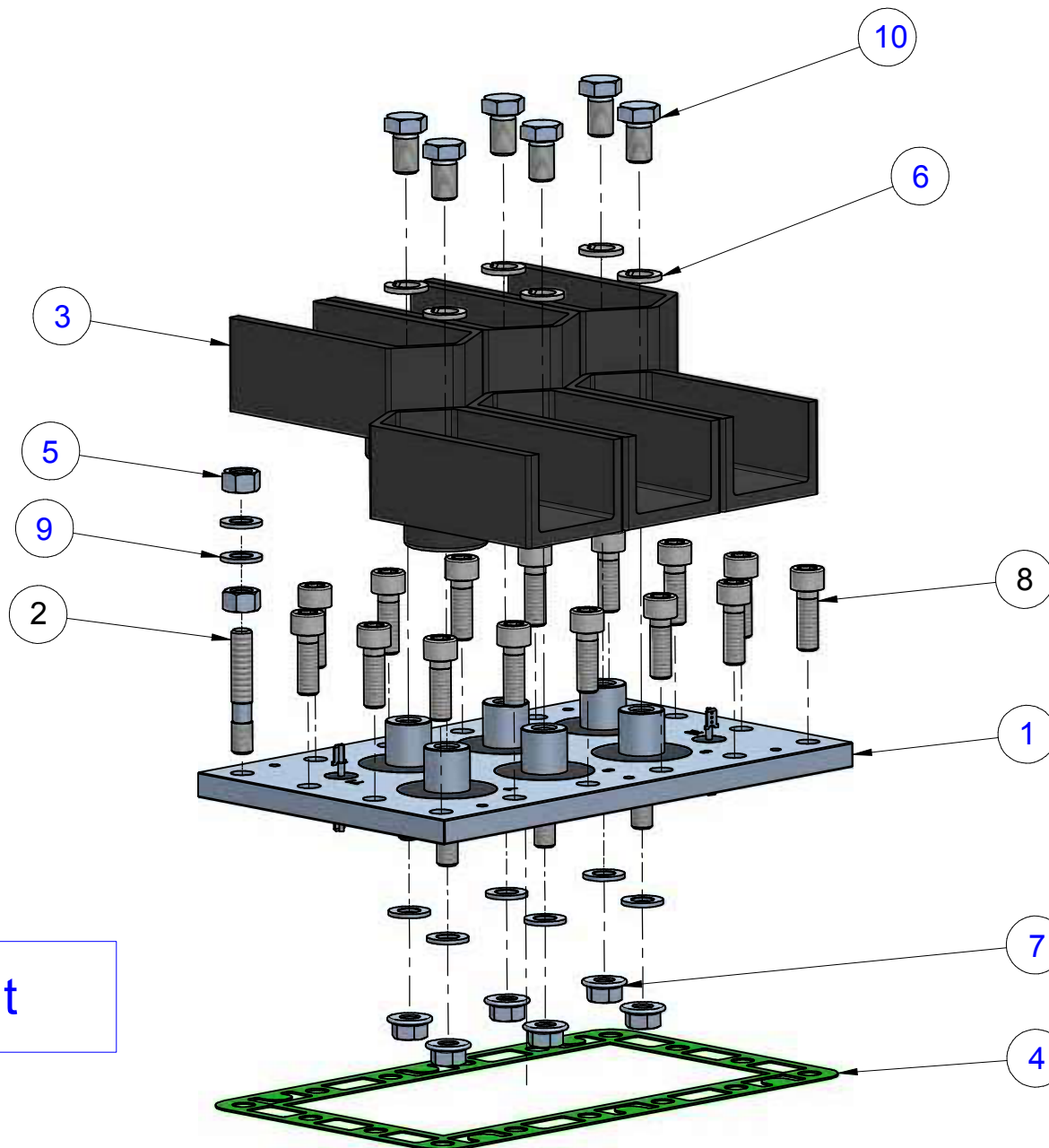
Discharge shut-off valve

ATTENZIONE: il presente disegno è di esclusiva proprietà REFCOMP. E' fatto divieto di riproduzione e di divulgazione anche parziale secondo quanto regolato dalle norme vigenti.

ATTENTION: the present drawing is exclusively ownership of REFCOMP. Is forbidden to reproduce and to disclose, even if partially, the present document in conformity to law regulation in force.

Pos	Code	Description	Serial number	Note	Q.ty
Kit	300180	Shut-off valve kit I=99 Ø67			1
Kit	303830	Shut-off valve kit I=99 Ø76			1
Kit	303984	Shut-off valve kit I=99 Ø54			1
Kit	304070	Shut-off valve kit I=99 Ø80		Standard Kit	1
1	500250	Shut-off valve I=99			1
2	510500	Bush Ø80		Standard	1
2	510550	Bush Ø67			1
2	510560	Bush Ø76			1
2	513420	Bush Ø54			1
3	590250	Shut-off valve gasket Ø87.5xØ106.8x1			1
4	591130	Shut-off valve gasket Ø84.8xØ105.8x1			1
5	610940	Galvanized grower washer M16			4
6	614080	Galvanized screw M16x170			4

Discharge shut-off valve



Kit

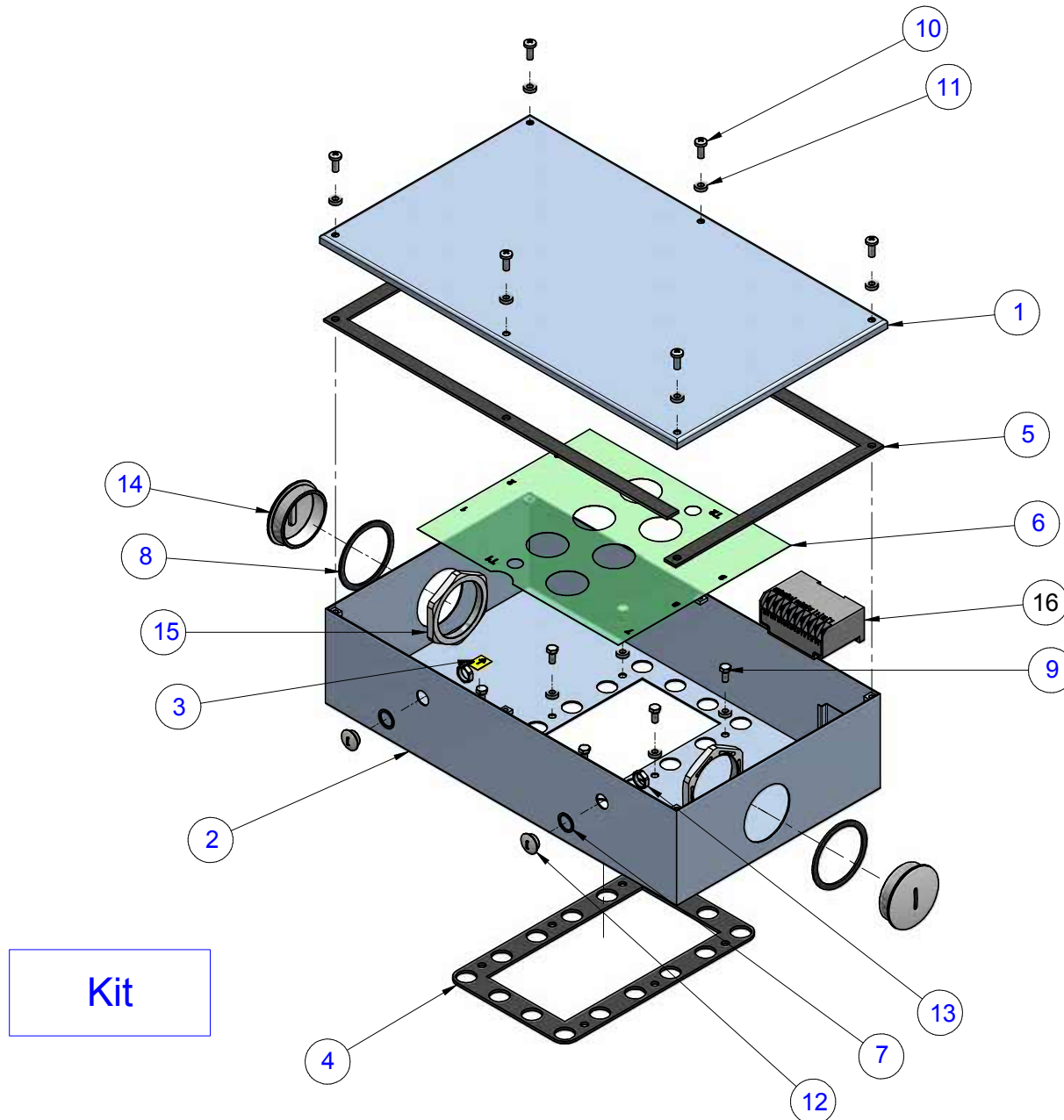
Terminal plate

ATTENZIONE: il presente disegno è di esclusiva proprietà REFCOMP. E' fatto divieto di riproduzione e di divulgazione anche parziale secondo quanto regolato dalle norme vigenti.

ATTENTION: the present drawing is exclusively ownership of REFCOMP. Is forbidden to reproduce and to disclose, even if partially, the present document in conformity to law regulation in force.

Pos	Code	Description	Serial number	Note	Q.ty
Kit	303774	Terminal plate kit '134-S-160/180/210/220' series			1
1	502510	Terminal plate M12			1
2	512080	Tie rod M10x60			1
3	592420	Cable insulator			6
4	592729	Terminal plate gasket			1
5	610820	Galvanized nut M10			2
6	610960	Galvanized grower washer M12			6
7	613250	Klock nut M10 galvanized			6
8	613900	Galvanized screw M10x30			15
9	613910	Plane washer Ø10.5xØ20x2			8
10	614190	Galvanized screw M12x20			6

Terminal plate



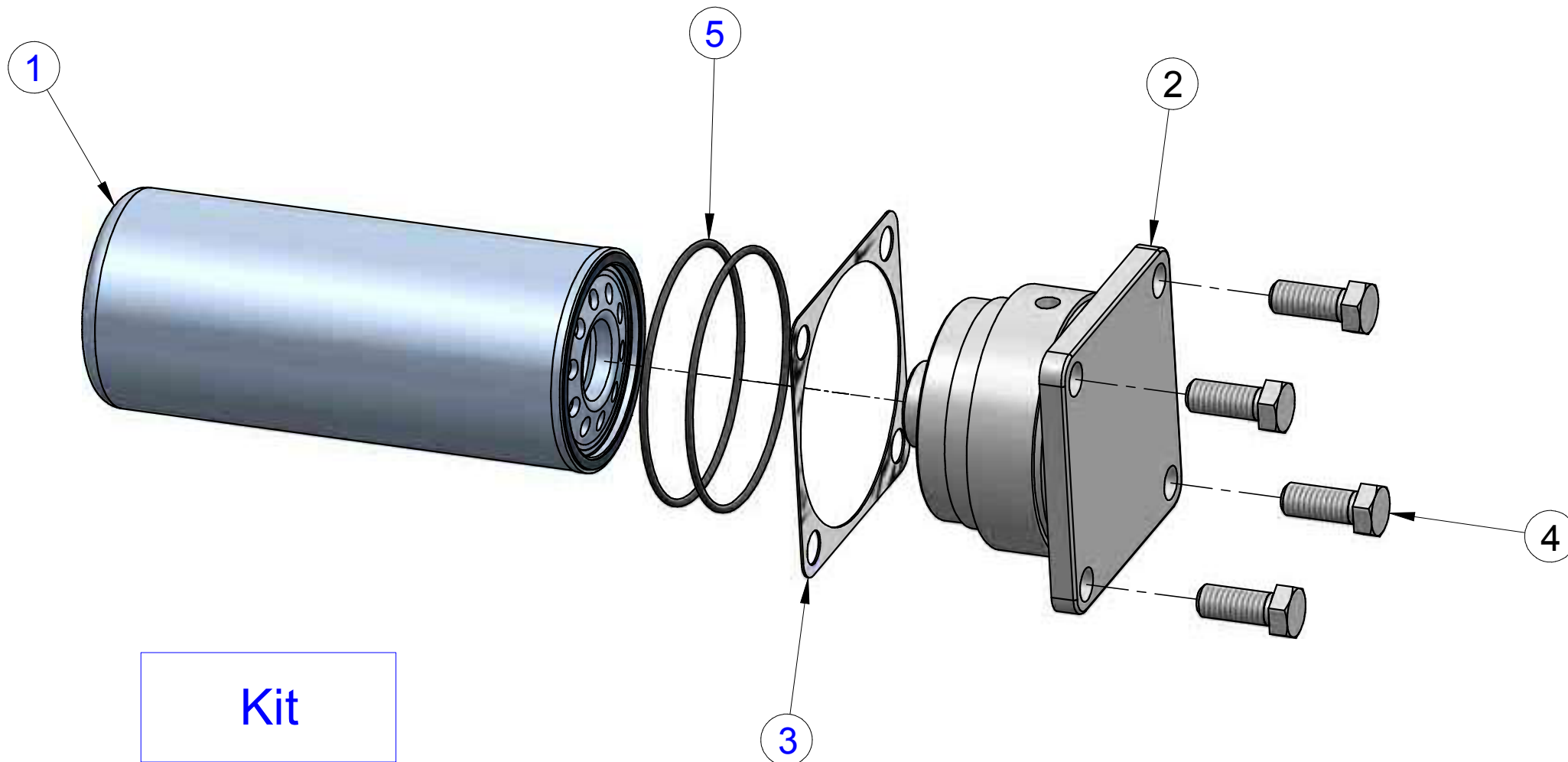
Terminal box

ATTENZIONE: il presente disegno è di esclusiva proprietà REFCOMP. E' fatto divieto di riproduzione e di divulgazione anche parziale secondo quanto regolato dalle norme vigenti.

ATTENTION: the present drawing is exclusively ownership of REFCOMP. Is forbidden to reproduce and to disclose, even if partially, the present document in conformity to law regulation in force.

Pos	Code	Description	Serial number	Note	Q.ty
16	303170	Motor protector kit			1
Kit	303376	Electric box kit '134-S-160/180/210/220' series			1
2	502600	Electric box			1
1	518260	Electrical box cover			1
3	585220	Ground label			1
4	592460	Electrical box gasket			1
5	592470	Electric box cover gasket			2
6	592480	Terminal electric scheme			1
7	592826	Rubber washer gasket ISO 16			2
8	592830	Rubber washer ISO 63			2
9	611150	Galvanized screw M6x14			6
10	613960	Galvanized screw M6x16			6
11	691107	Rubber washer miniplast MP16-6			12
12	691153	Plastic plug ISO 16			2
13	691154	Plastic nut ISO 16			2
14	691161	Plastic plug ISO 63			2
15	691162	Plastic nut ISO 63			2

Terminal box



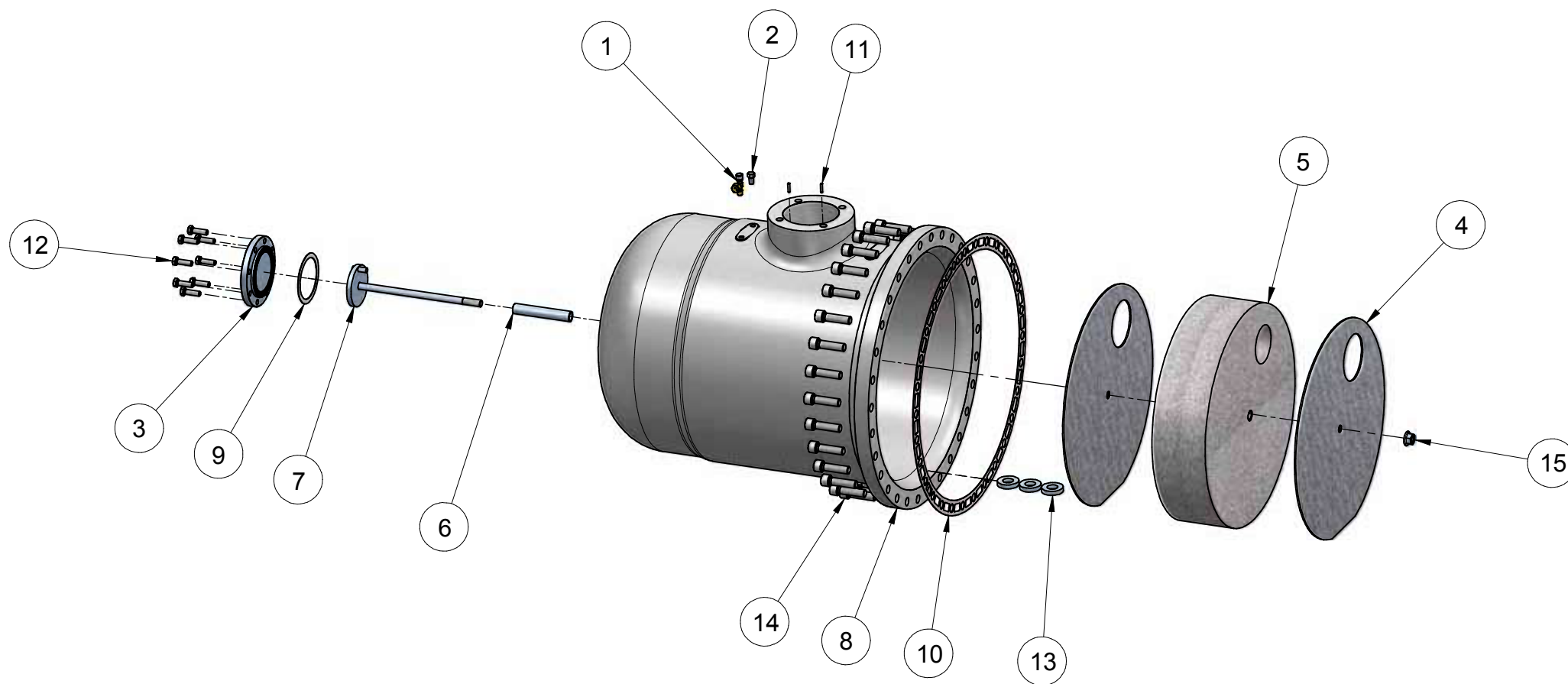
Kit

Oil strainer

ATTENZIONE: il presente disegno è di esclusiva proprietà REFCOMP. E' fatto divieto di riproduzione e di divulgazione anche parziale secondo quanto regolato dalle norme vigenti.

ATTENTION: the present drawing is exclusively ownership of REFCOMP. Is forbidden to reproduce and to disclose, even if partially, the present document in conformity to law regulation in force.

Pos	Code	Description	Serial number	Note	Q.ty
Kit	303672	Oil filter kit			1
1	502973	Oil filter cartridge M42			1
2	533956	Oil filter plug			1
3	592785	Oil filter plug gasket			1
4	614500	Screw M16x40			4
5	691105	O-ring OR4487			2



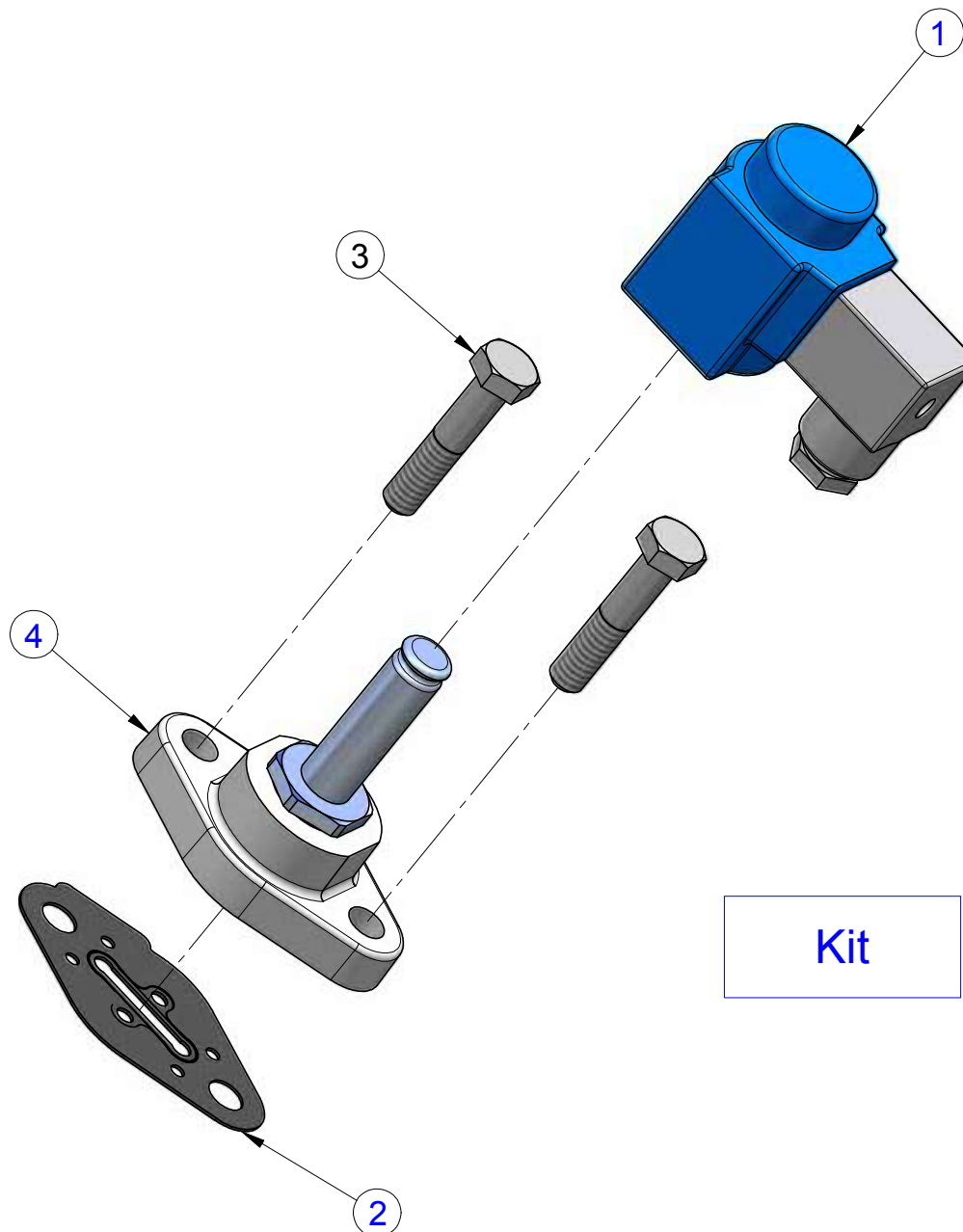
Oil separator

ATTENZIONE: il presente disegno è di esclusiva proprietà REFCOMP. E' fatto divieto di riproduzione e di divulgazione anche parziale secondo quanto regolato dalle norme vigenti.

ATTENTION: the present drawing is exclusively ownership of REFCOMP. Is forbidden to reproduce and to disclose, even if partially, the present document in conformity to law regulation in force.

Pos	Code	Description	Serial number	Note	Q.ty
1	500261	Tee-piece union 1/8"NPT-1/4"-1/4"SAE			1
2	519143	Plug 1/8" NPT			1
3	519203	High pressure cover plate			1
4	519309	Punched metal sheet oil separator			2
5	519310	Demister			1
6	519318	Spacer pipe			1
7	519319	Oil separator tie rod			1
8	533888	Oil separator			1
9	590250	Shut-off valve gasket Ø87.5xØ106.8x1			1
10	592010	Oil separator/rotor housing gasket			1
11	611810	Elastic pin Ø4x20			2
12	612150	Galvanized screw M10x35			8
13	612490	Magnet			3
14	614020	Screw M16x60			30
15	614517	Klock nut M14 galvanized			1

Model: SRC-S-503_553_603



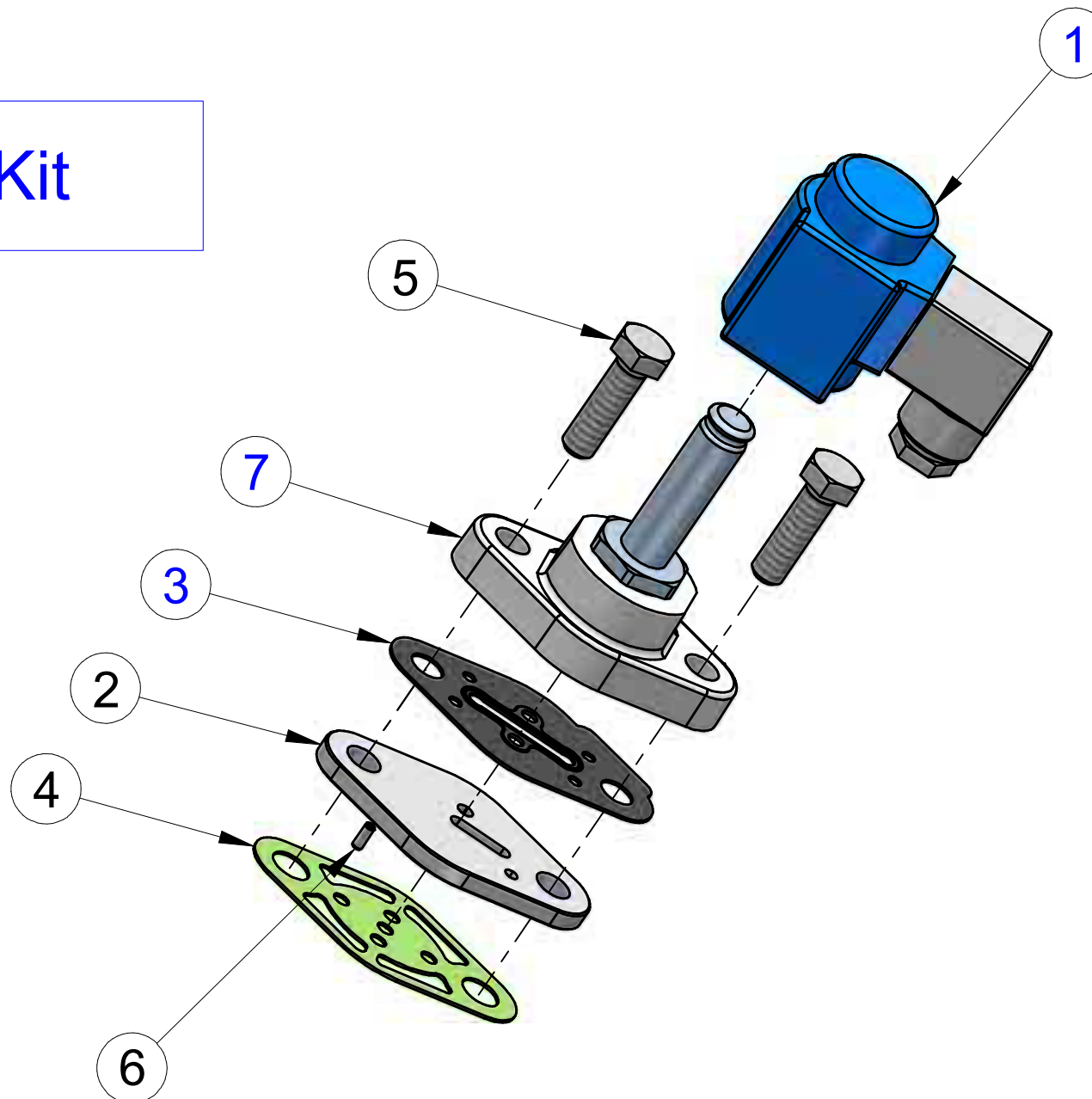
Capacity control solenoid valve

ATTENZIONE: il presente disegno è di esclusiva proprietà REFCOMP. E' fatto divieto di riproduzione e di divulgazione anche parziale secondo quanto regolato dalle norme vigenti.

ATTENTION: the present drawing is exclusively ownership of REFCOMP. Is forbidden to reproduce and to disclose, even if partialy, the present document in conformity to law regulation in force.

Pos	Code	Description	Serial number	Note	Q.ty
Kit	304123	Solenoid valve kit 230V 50-60Hz R134A			1
1	503330	Coil 230V-50/60Hz			1
2	592731	Solenoid valve gasket l=65			1
3	611370	Screw M10x30			2
4	760450	Solenoid valve			1

Kit

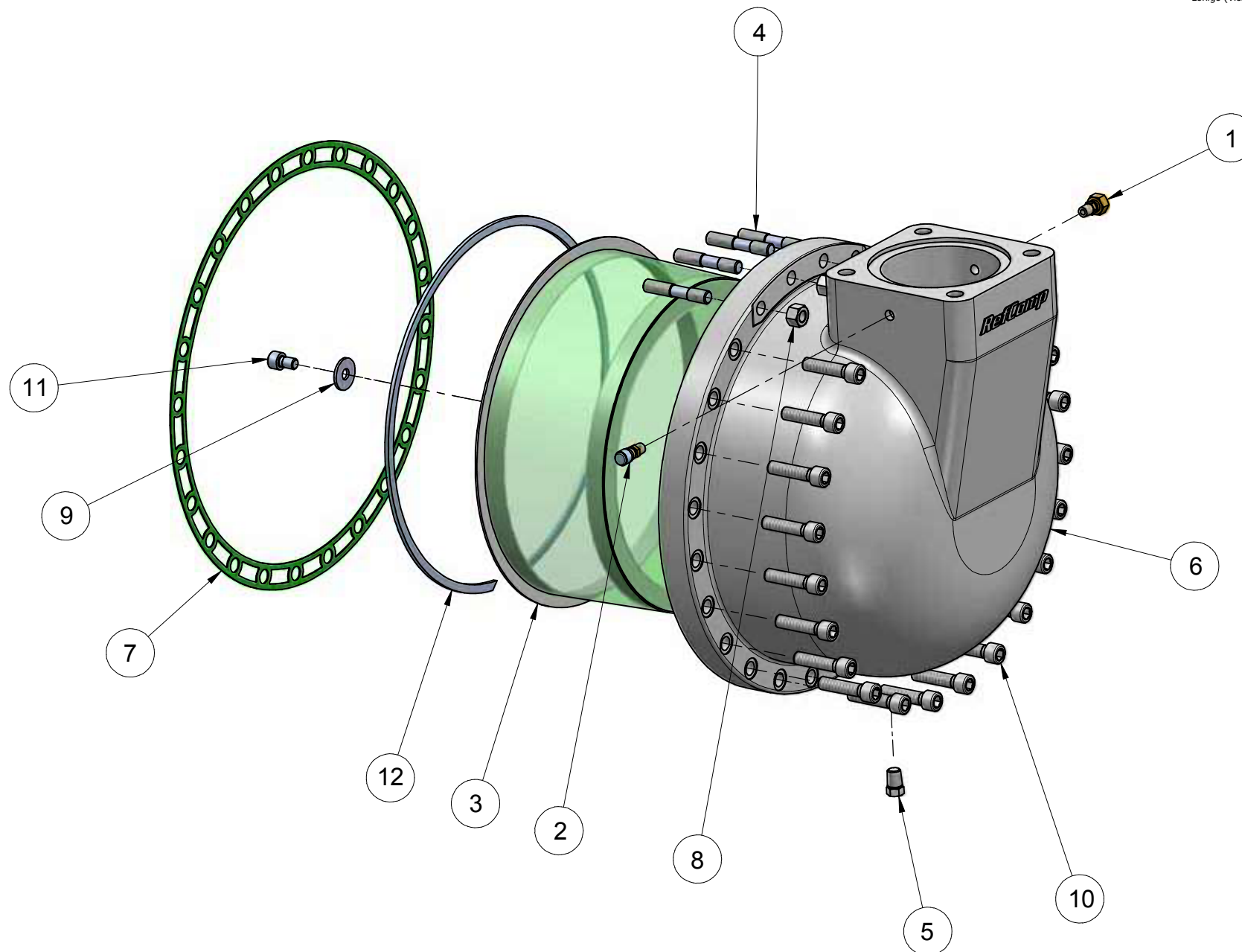


'L4' Capacity control solenoid valve

ATTENZIONE: il presente disegno è di esclusiva proprietà REFCOMP. E' fatto divieto di riproduzione e di divulgazione anche parziale secondo quanto regolato dalle norme vigenti.

ATTENTION: the present drawing is exclusively ownership of REFCOMP. Is forbidden to reproduce and to disclose, even if partialy, the present document in conformity to law regulation in force.

Pos	Code	Description	Serial number	Note	Q.ty
Kit	304123	Solenoid valve kit 230V 50-60Hz R134A			1
1	503330	Coil 230V-50/60Hz			1
2	519422	Capacity control plate 'L4'			1
3	592731	Solenoid valve gasket l=65			1
4	592762	Solenoid valve/plate gasket			1
5	612150	Galvanized screw M10x35			2
6	614566	Elastic pin Ø8x3			1
7	760450	Solenoid valve			1



Suction cover

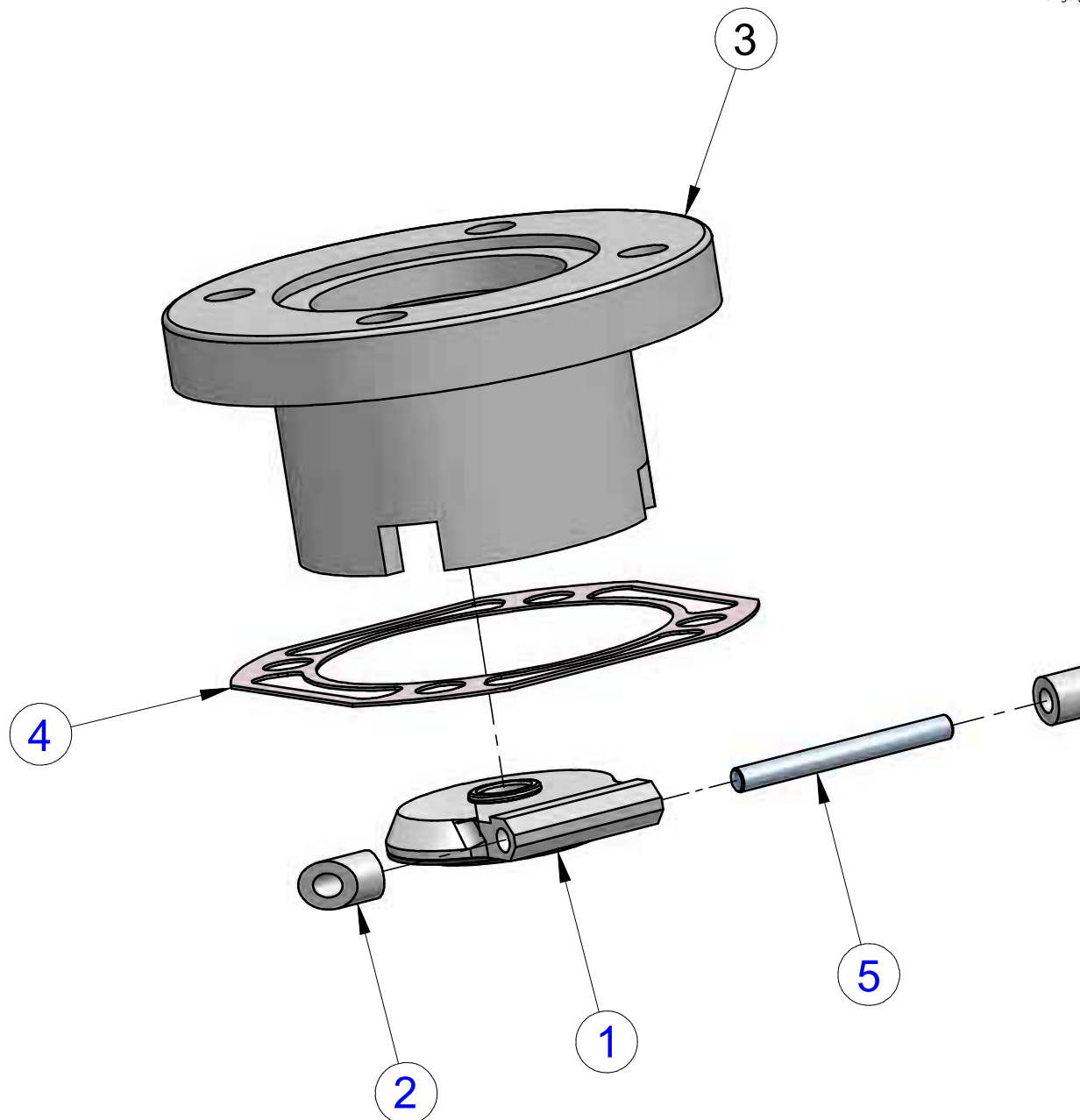
ATTENZIONE: il presente disegno è di esclusiva proprietà REFCOMP. E' fatto divieto di riproduzione e di divulgazione anche parziale secondo quanto regolato dalle norme vigenti.

ATTENTION: the present drawing is exclusively ownership of REFCOMP. Is forbidden to reproduce and to disclose, even if partially, the present document in conformity to law regulation in force.

Pos	Code	Description	Serial number	Note	Q.ty
1	500262	Straight connection 1/8"NPT-1/4"SAE			1
2	500263	Straight connection 1/8"NPT-1/4"SAE			1
3	502971	Suction filter			1
4	510970	Stud M12x70			4
5	519147	Plug 1/4" NPT			1
6	533795	Suction cover			1
7	592746	Suction cover gasket			1
8	610830	Nut M12			4
9	611100	Plane washer Ø10xØ30x2			1
10	613820	Galvanized screw M12x50			20
11	613940	Screw M10x16			1
12	614523	Seeger ring			1

Suction cover

Kit

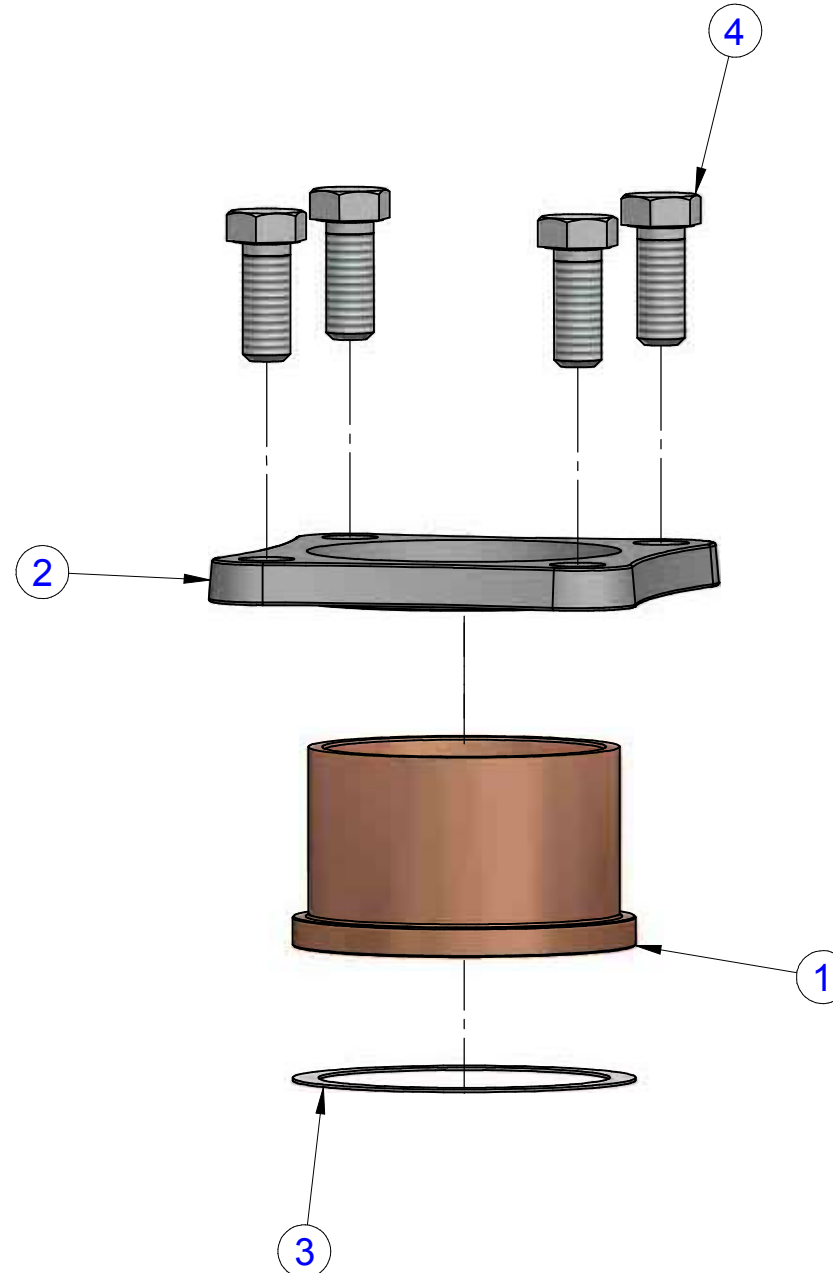


Check valve

ATTENZIONE: il presente disegno è di esclusiva proprietà REFCOMP. E' fatto divieto di riproduzione e di divulgazione anche parziale secondo quanto regolato dalle norme vigenti.

ATTENTION: the present drawing is exclusively ownership of REFCOMP. Is forbidden to reproduce and to disclose, even if partially, the present document in conformity to law regulation in force.

Pos	Code	Description	Serial number	Note	Q.ty
Kit	303564	Check valve bush kit			1
1	502590	Check valve			1
2	517420	Insert			2
3	534045	Check valve bush			1
4	592782	Check valve bush gasket			1
5	610980	Cilindrical pin Ø8x80			1



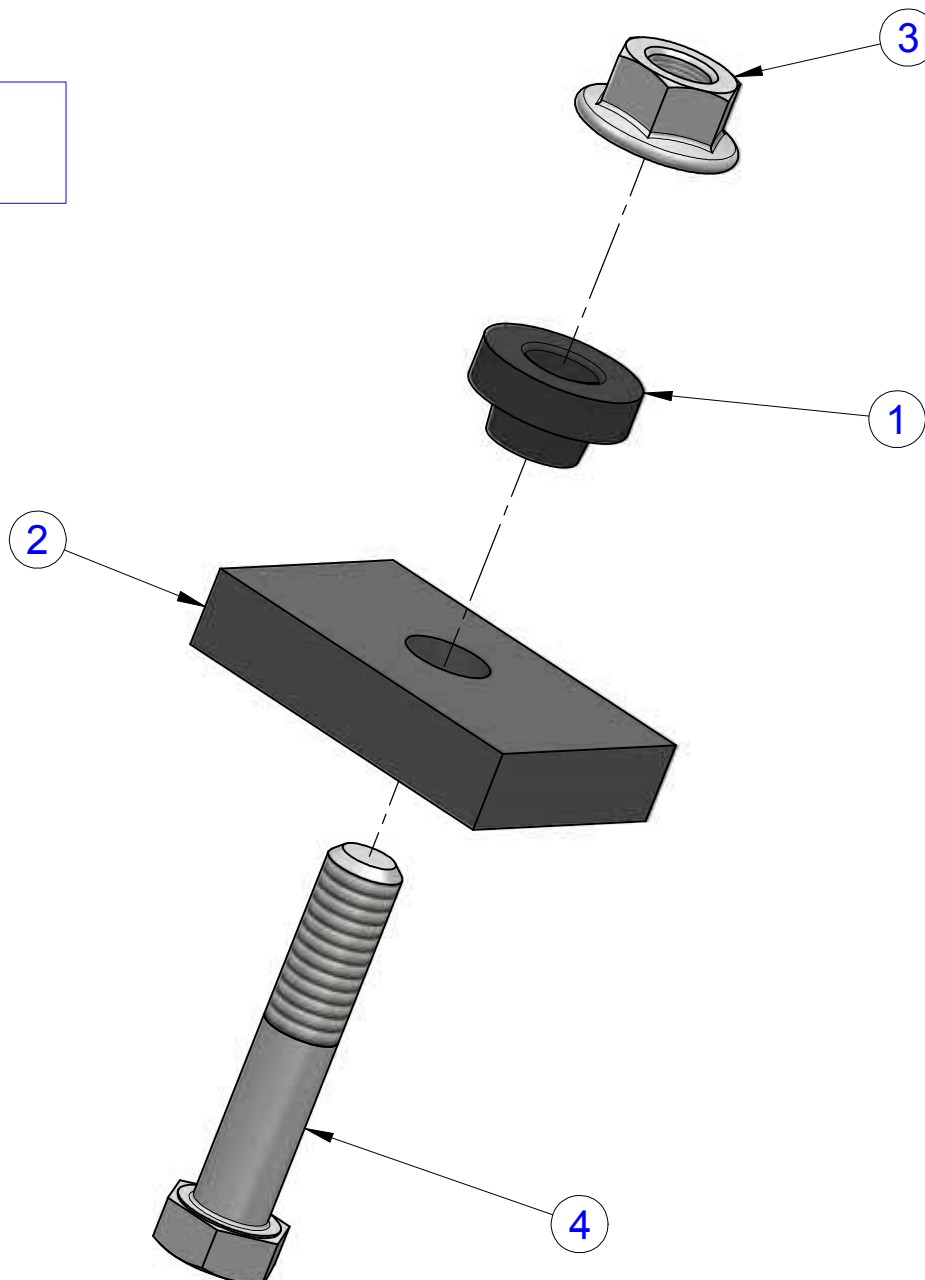
Kit

Suction bush

Pos	Code	Description	Serial number	Note	Q.ty
Kit	303508	Flange + bush kit Ø105		Standard Kit	1
Kit	303538	Flange + bush kit Ø80			1
1	519239	Bush Ø105		Standard	1
2	519240	Flange l=122			1
1	519278	Bush Ø108			1
1	519289	Bush Ø80			1
1	519361	Bush Ø89			1
1	519376	Bush Ø77			1
3	592745	Shut-off valve gasket Ø110.5xØ130x1			1
4	610011	Galvanized screw M18x45			4

Model: SRC-S-503_553_603

Kit

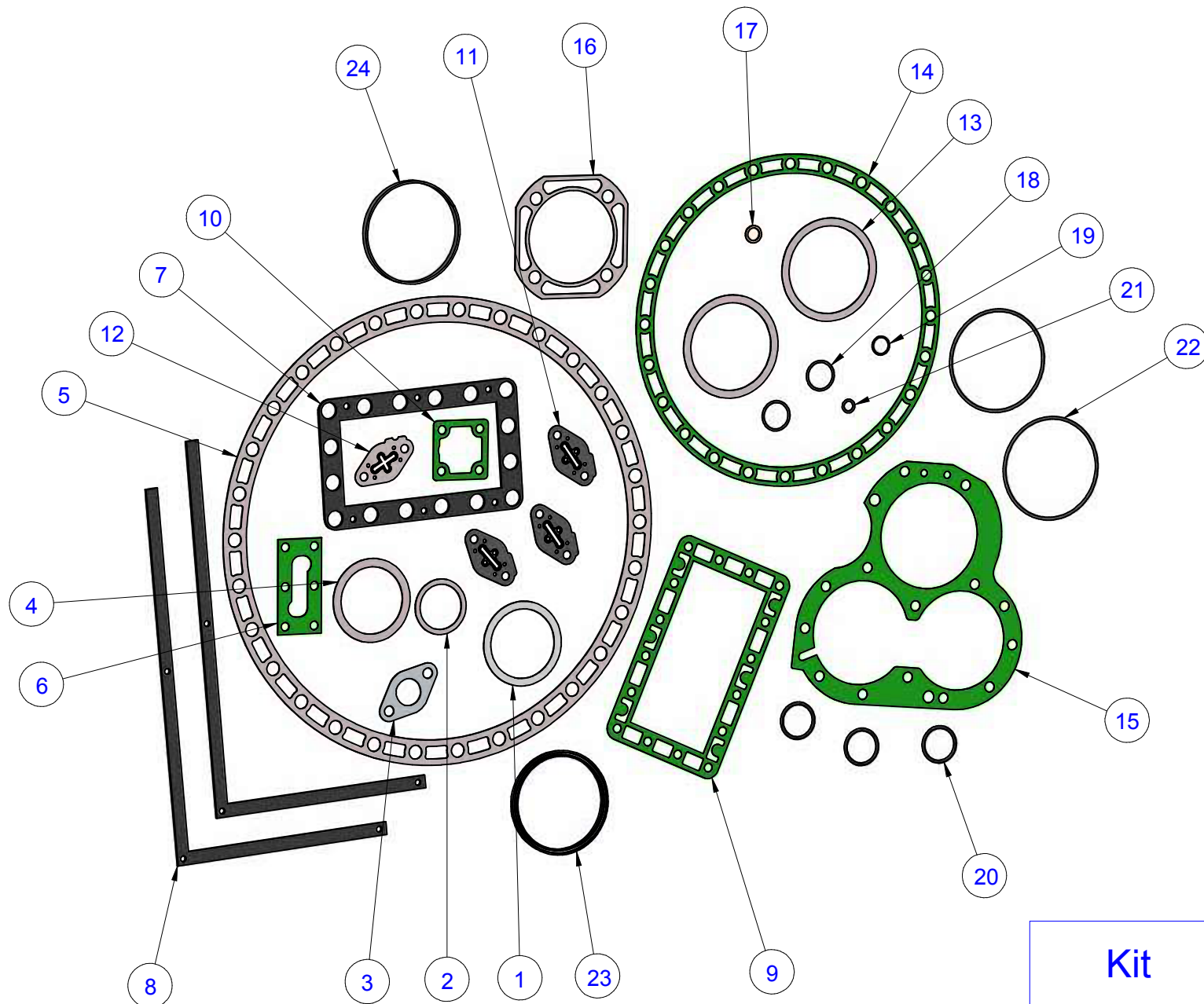


Dumpers

ATTENZIONE: il presente disegno è di esclusiva proprietà REFCOMP.
E' fatto divieto di riproduzione e di divulgazione anche parziale secondo
quanto regolato dalle norme vigenti.

ATTENTION: the present drawing is exclusively ownership of REFCOMP.
Is forbidden to reproduce and to disclose, even if partialy, the present
document in conformity to law regulation in force.

Pos	Code	Description	Serial number	Note	Q.ty
Kit	303321	Rubber dumpers kit			1
1	592742	Dumper bush			4
2	592840	Dumper (80°sh)			4
3	614517	Klock nut M14 galvanized			4
4	614525	Galvanized screw M14x70			4

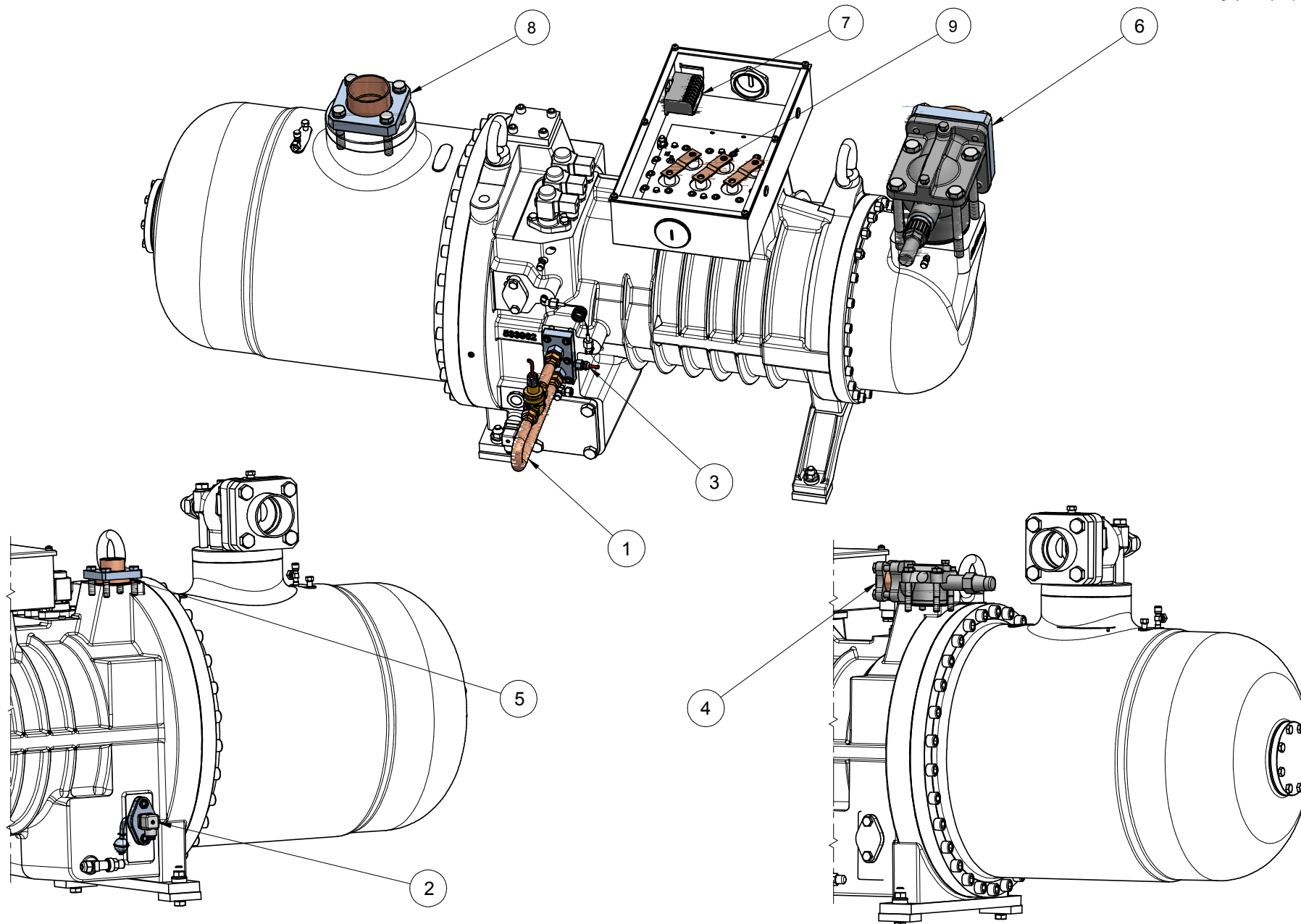


Gaskets

ATTENZIONE: il presente disegno è di esclusiva proprietà REFCOMP. E' fatto divieto di riproduzione e di divulgazione anche parziale secondo quanto regolato dalle norme vigenti.

ATTENTION: the present drawing is exclusively ownership of REFCOMP. Is forbidden to reproduce and to disclose, even if partially, the present document in conformity to law regulation in force.

Pos	Code	Description	Serial number	Note	Q.ty
Kit	303322	Gasket kit			1
1	590250	Shut-off valve gasket Ø87.5xØ106.8x1			1
2	590790	Shut-off valve gasket Ø57xØ70x1			1
3	591030	Oval flange gasket l=70			1
4	591130	Shut-off valve gasket Ø84.8xØ105.8x1			1
5	592010	Oil separator/rotor housing gasket			1
6	592320	Oil connection plate gasket "SRC-S-353/603 series"			1
7	592460	Electrical box gasket			1
8	592470	Electric box cover gasket			2
9	592729	Terminal plate gasket			1
10	592730	Closing plate gasket 75x75			1
11	592731	Solenoid valve gasket l=65			3
12	592732	Step load gasket 'L4'			1
13	592745	Shut-off valve gasket Ø110.5xØ130x1			2
14	592746	Suction cover gasket			1
15	592761	Bearing housing cover gasket			1
16	592782	Check valve bush gasket			1
17	680030	Copper washer Ø16x22x1.5			1
18	690080	O-ring OR3131			2
19	690160	O-ring OR2081			1
20	691030	O-ring OR144			3
21	691081	O-ring OR115			1
22	691105	O-ring OR4487			2
23	691131	Gasket			1
24	691132	Band gasket control piston			1



Optional

ATTENZIONE: il presente disegno è di esclusiva proprietà REFCOMP.
E' fatto divieto di riproduzione e di divulgazione anche parziale secondo
quanto regolato dalle norme vigenti.

ATTENTION: the present drawing is exclusively ownership of REFCOMP.
Is forbidden to reproduce and to disclose, even if partially, the present
document in conformity to law regulation in force.

Pos	Code	Description	Serial number	Note	Q.ty
1	303675	Oil flow switch kit without motor protector INT69VS			1
1	303817	Oil flow switch kit with motor protector INT69VS 230V			1
1	304090	Oil flow switch kit with motor protector INT69VS 110V			1
1	304091	Oil flow switch kit with motor protector INT69VS 24V			1
2	303244	Oil level float kit			1
3	303532	Temperature probe kit 120°C			1
4	303319	ECO shut-off valve kit			1
5	303320	Liquid injection kit			1
6	303121	Shut-off valve kit Ø77			1
6	303122	Shut-off valve kit Ø80			1
6	303123	Shut-off valve kit Ø89			1
6	303124	Shut-off valve kit Ø92			1
6	303125	Shut-off valve kit Ø105		Standard Kit	1
6	303126	Shut-off valve kit Ø108			1
7	303170	Motor protector kit			1
8	304170	Flange + bush kit Ø80		Standard Kit	1
9	303193	Direct starting kit I=68.2			1

Optional