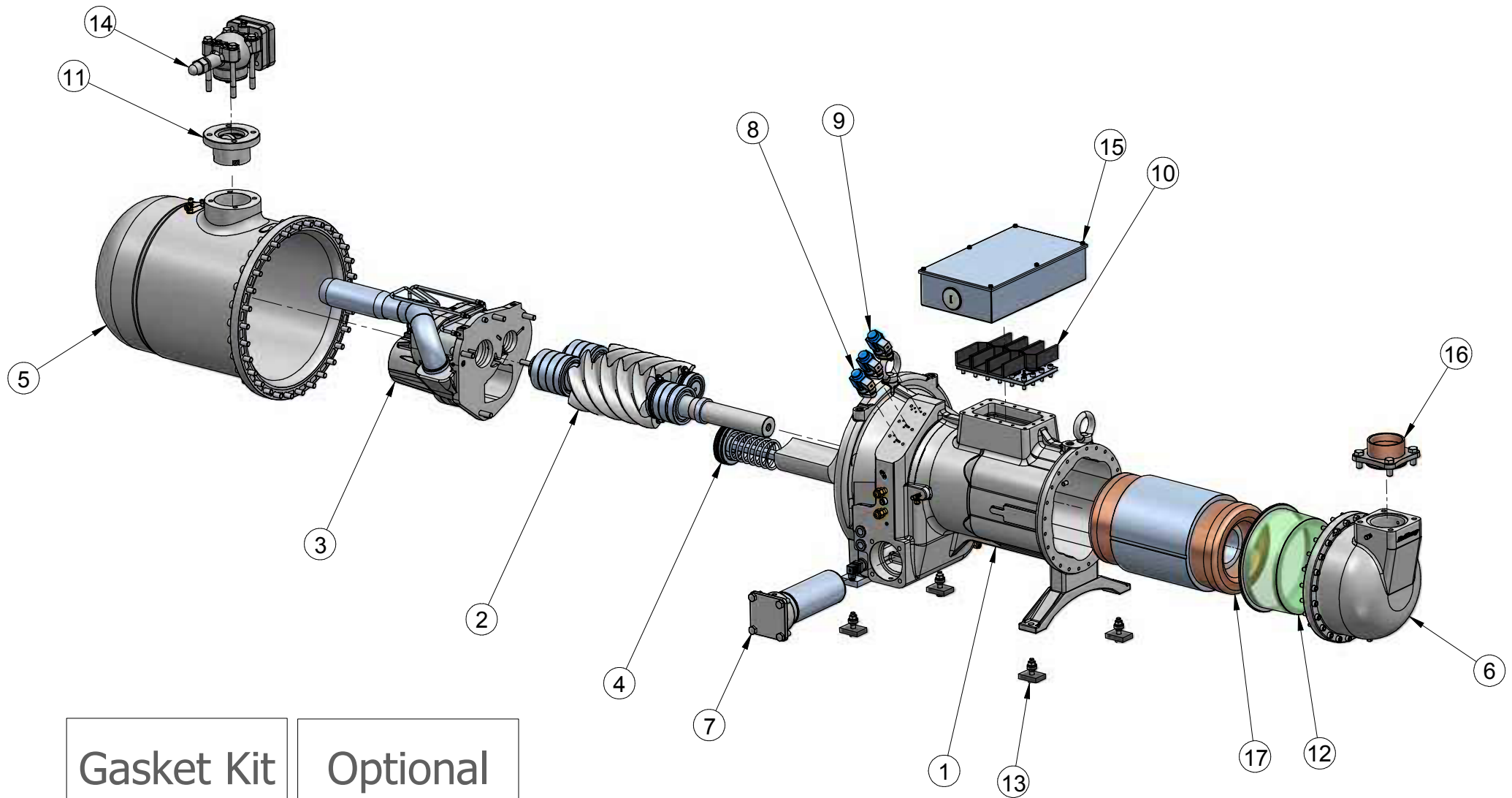


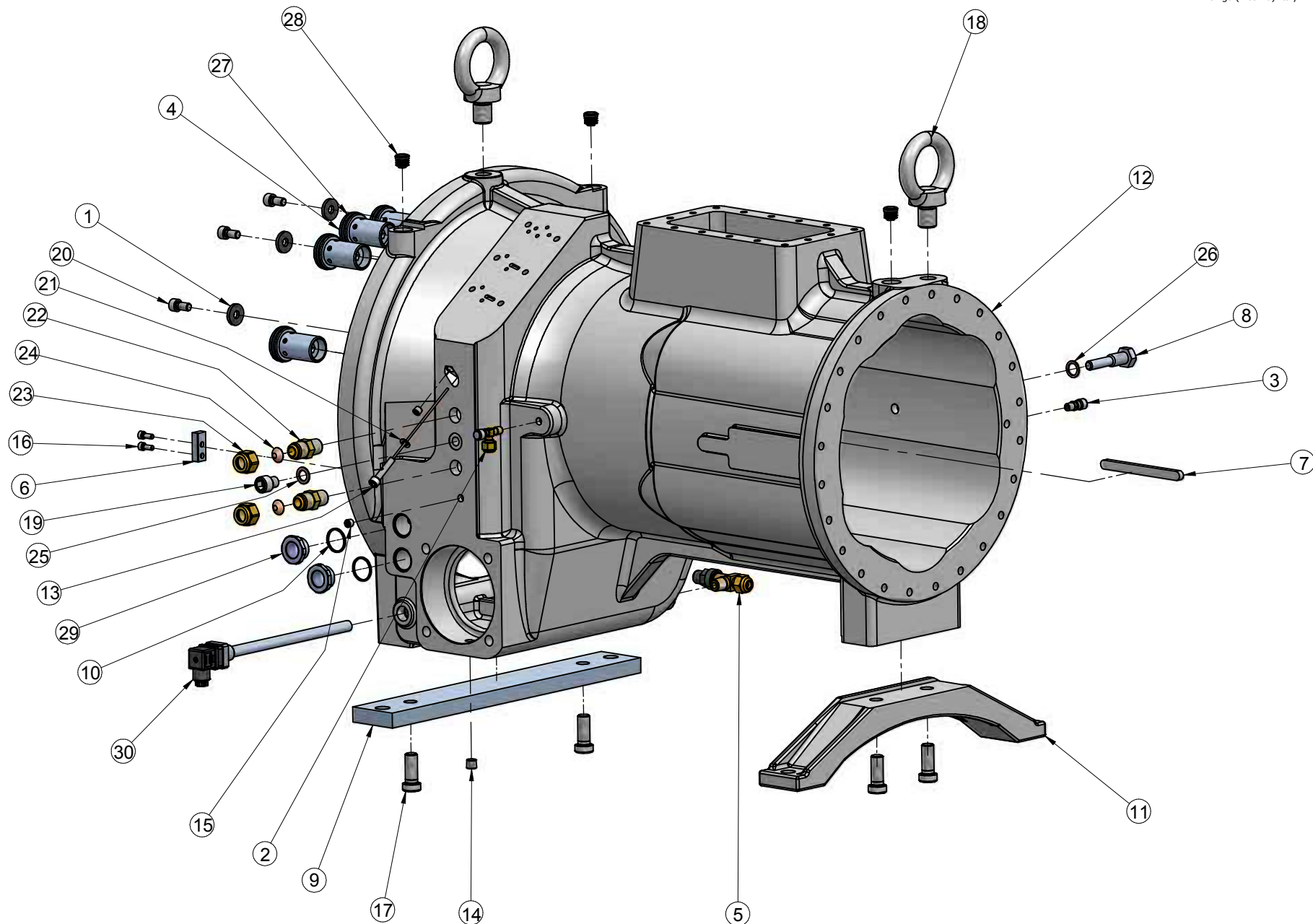
Model: "SRC-S" Series



**SRC-S-755**

ATTENZIONE: il presente disegno è di esclusiva proprietà REFCOMP. E' fatto divieto di riproduzione e di divulgazione anche parziale secondo quanto regolato dalle norme vigenti.

ATTENTION: the present drawing is exclusively ownership of REFCOMP. Is forbidden to reproduce and to disclose, even if partially, the present document in conformity to law regulation in force.



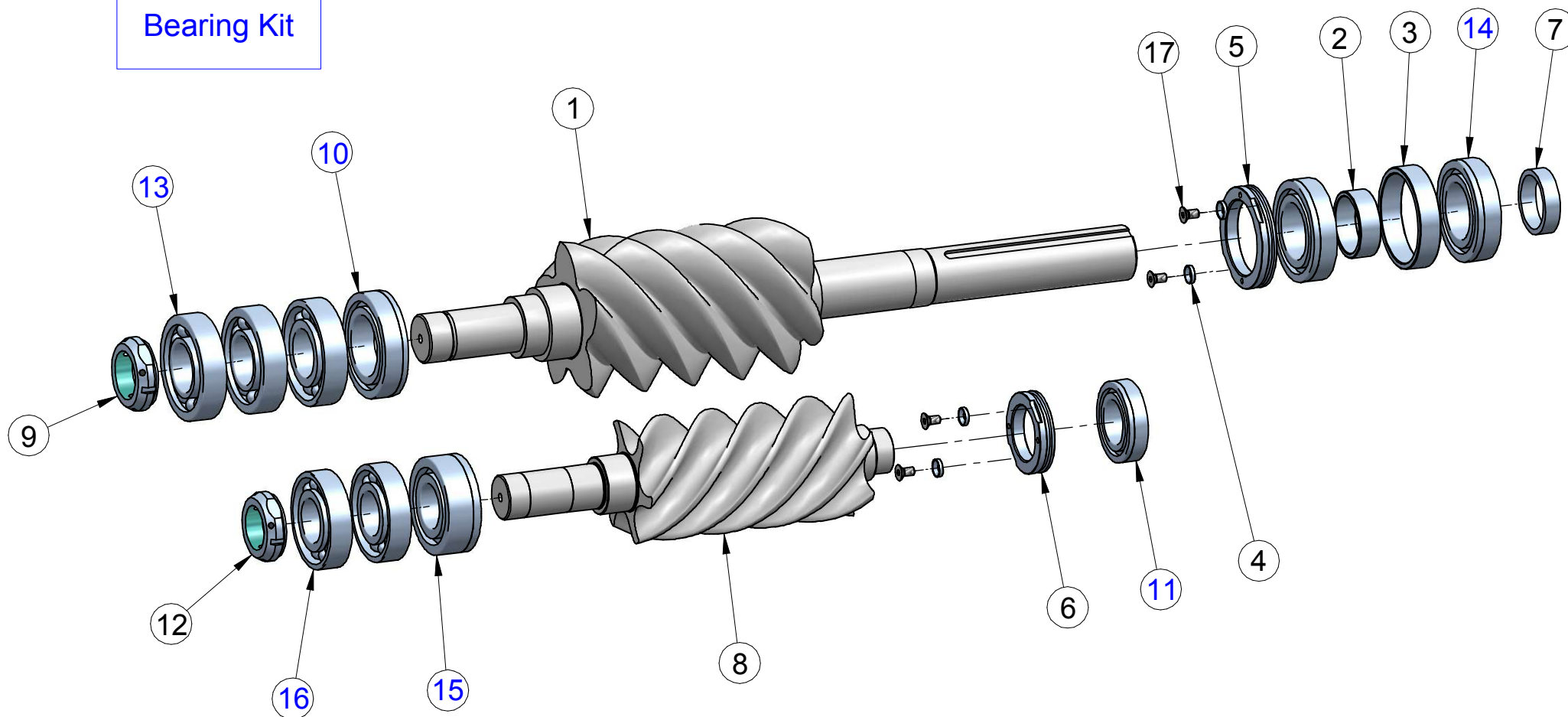
### SRC-S-755 Rotor housing

ATTENZIONE: il presente disegno è di esclusiva proprietà REFCOMP. E' fatto divieto di riproduzione e di divulgazione anche parziale secondo quanto regolato dalle norme vigenti.

ATTENTION: the present drawing is exclusively ownership of REFCOMP. Is forbidden to reproduce and to disclose, even if partially, the present document in conformity to law regulation in force.

| Pos | Code   | Description                          | Serial number | Note | Q.ty |
|-----|--------|--------------------------------------|---------------|------|------|
| 2   | 500261 | Tee-piece union 1/8"NPT-1/4"-1/4"SAE |               |      | 1    |
| 3   | 500263 | Straight connection 1/8"NPT-1/4"SAE  |               |      | 1    |
| 4   | 502570 | Safety valve 30bar Ø38               |               |      | 4    |
| 5   | 503335 | 3/8"NPT oil discharge valve assembly |               |      | 1    |
| 6   | 514660 | Key 16x10x38                         |               |      | 1    |
| 7   | 514760 | Key 11.95x8x140                      |               |      | 1    |
| 8   | 517220 | Stator fixing screw                  |               |      | 1    |
| 9   | 517610 | Compressor supporting plate          |               |      | 1    |
| 10  | 520664 | Aluminium ring Ø28.6xØ31.8x2         |               |      | 2    |
| 11  | 533957 | Compressor supporting plate          |               |      | 1    |
| 12  | 534086 | Rotor housing                        |               |      | 1    |
| 13  | 540732 | Capillary Ø2.69xØ1.37 screw M8       |               |      | 1    |
| 30  | 583110 | Crankcase heater 230V 275W Ø14       |               |      | 1    |
| 14  | 610050 | Plug 1/4"NPT                         |               |      | 1    |
| 15  | 610680 | Plug 1/8"NPT                         |               |      | 2    |
| 16  | 611120 | Screw M6x16                          |               |      | 2    |
| 17  | 613420 | Screw M16x40                         |               |      | 4    |
| 1   | 614457 | Plane washer Ø10.5xØ28x4             |               |      | 3    |
| 18  | 614531 | Eyebolt M24                          |               |      | 2    |
| 19  | 614552 | Screw M14x16                         |               |      | 1    |
| 20  | 614564 | Screw M10x20                         |               |      | 3    |
| 21  | 620100 | Alluminium plane washer Ø8xØ14x1.5   |               |      | 1    |
| 22  | 640631 | Straight connection 1/2"NPT-5/8"SAE  |               |      | 2    |
| 23  | 640633 | Nut 5/8"SAE-16                       |               |      | 2    |
| 24  | 640639 | Cooper cap 5/8"SAE                   |               |      | 2    |
| 25  | 640650 | Copper washer Ø14xØ22x1.5            |               |      | 1    |
| 26  | 680030 | Copper washer Ø16x22x1.5             |               |      | 1    |
| 27  | 691030 | O-ring OR144                         |               |      | 4    |
| 28  | 691137 | Plastic plug MP85-18                 |               |      | 3    |
| 29  | 700210 | Sight glass cover 1"1/8-18UNEF       |               |      | 2    |

Bearing Kit

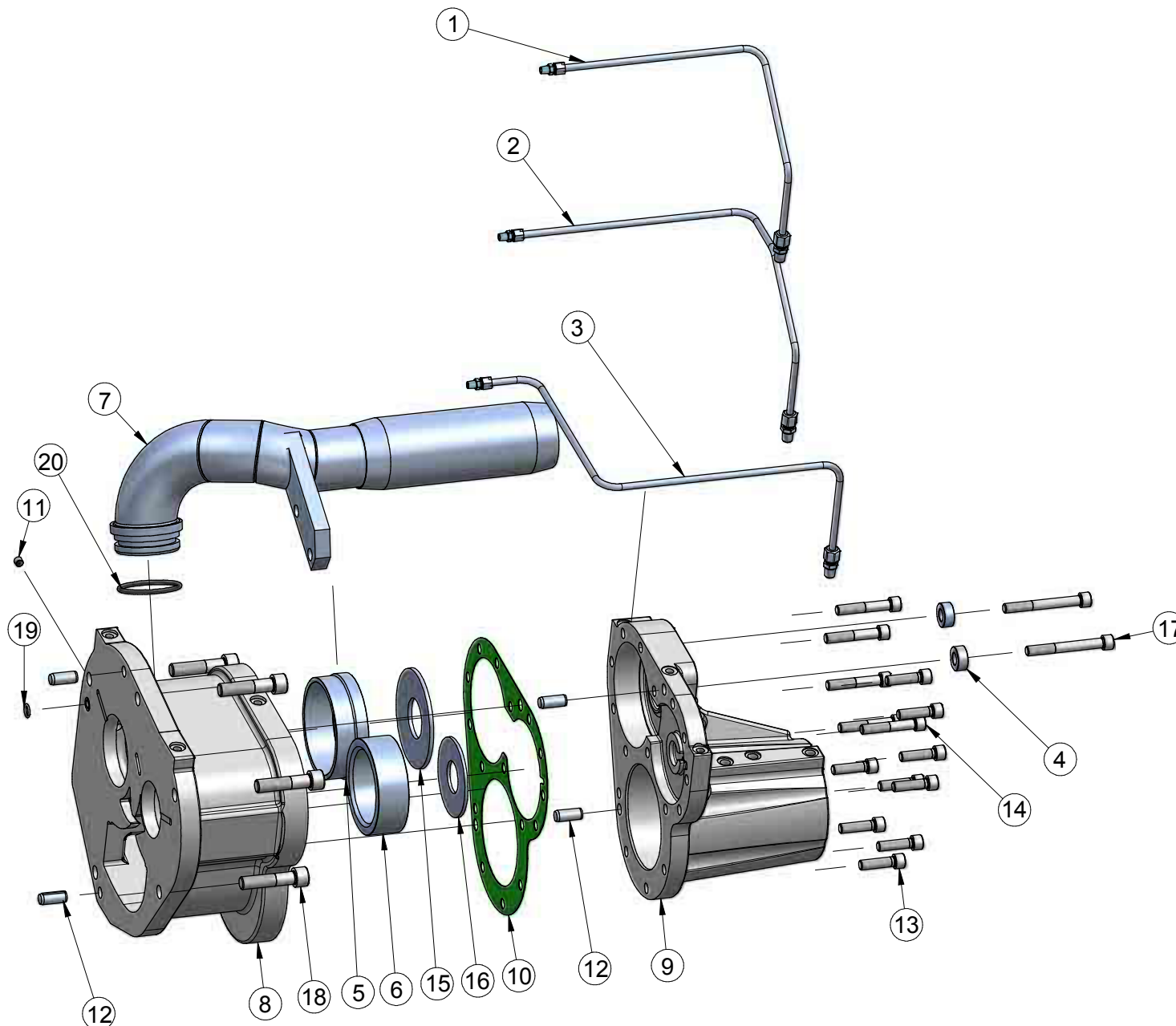


**SRC-S-755 Rotor**

ATTENZIONE: il presente disegno è di esclusiva proprietà REFCOMP. E' fatto divieto di riproduzione e di divulgazione anche parziale secondo quanto regolato dalle norme vigenti.

ATTENTION: the present drawing is exclusively ownership of REFCOMP. Is forbidden to reproduce and to disclose, even if partially, the present document in conformity to law regulation in force.

| Pos | Code   | Description                                      | Serial number | Note | Q.ty |
|-----|--------|--|---------------|------|------|
| Kit | 303592 | Bearings kit                                     |               |      | 1    |
| 1   | 503043 | Male rotor                                       |               |      | 1    |
| 2   | 518200 | Inner spacer bearing                             |               |      | 1    |
| 3   | 518210 | External spacer bearing                          |               |      | 1    |
| 4   | 519260 | Stopping flared washer M10                       |               |      | 4    |
| 5   | 519374 | Male rotor suction bush '134-S-210/220' series   |               |      | 1    |
| 6   | 519375 | Female rotor suction bush '134-S-210/220' series |               |      | 1    |
| 7   | 519566 | Electric rotor spacer                            |               |      | 1    |
| 8   | 534053 | Female rotor                                     |               |      | 1    |
| 9   | 612730 | Block nut M60x2                                  |               |      | 1    |
| 10  | 613640 | Cylindrical roller bearing                       |               |      | 1    |
| 11  | 613650 | Cylindrical roller bearing                       |               |      | 1    |
| 12  | 613680 | Block nut M55x2                                  |               |      | 1    |
| 13  | 614040 | Ball bearing                                     |               |      | 3    |
| 14  | 614200 | Cylindrical roller bearing                       |               |      | 2    |
| 15  | 614513 | Cylindrical roller bearing                       |               |      | 1    |
| 16  | 614514 | Ball bearing                                     |               |      | 2    |
| 17  | 614529 | Screw M10x20                                     |               |      | 4    |



### Bearing housing + bearing housing cover

ATTENZIONE: il presente disegno è di esclusiva proprietà REFCOMP.  
E' fatto divieto di riproduzione e di divulgazione anche parziale secondo  
quanto regolato dalle norme vigenti.

ATTENTION: the present drawing is exclusively ownership of REFCOMP.  
Is forbidden to reproduce and to disclose, even if partialy, the present  
document in conformity to law regulation in force.

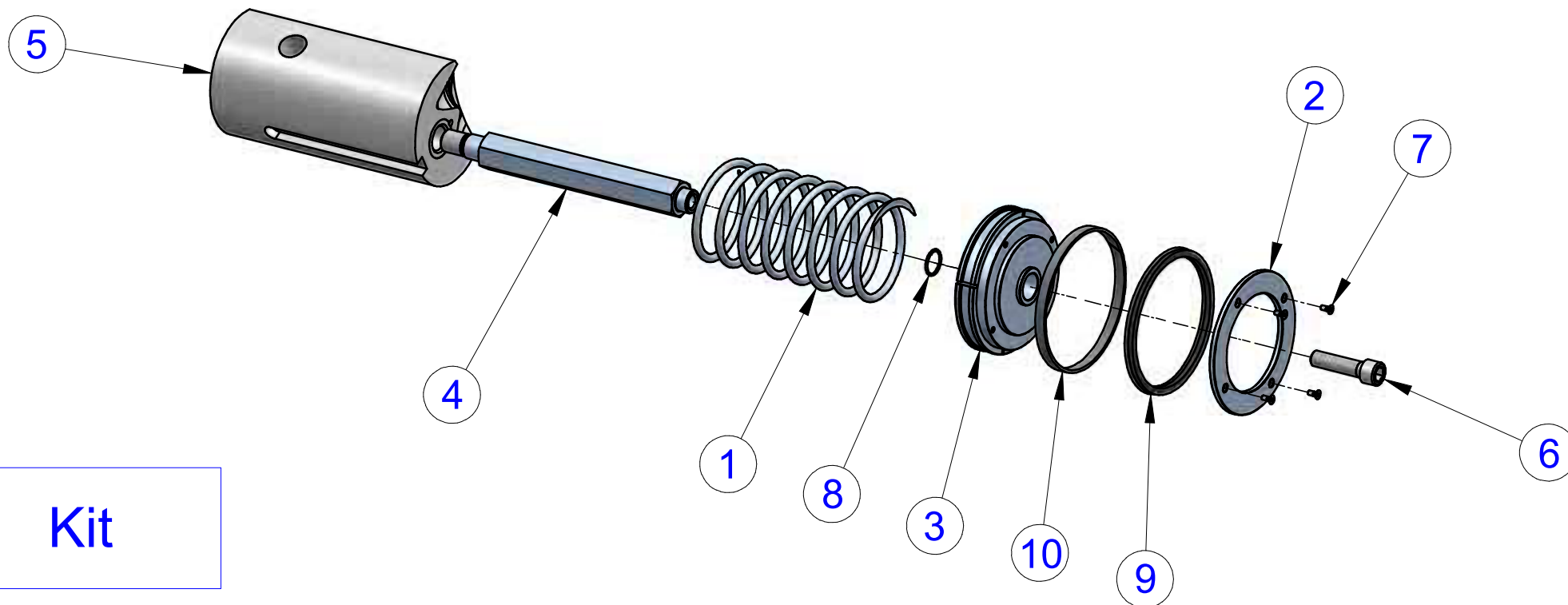
| Pos | Code   | Description                     | Serial number | Note | Q.ty |
|-----|--------|---------------------------------|---------------|------|------|
| 1   | 503059 | Slide valve pipe assembly 75%   |               |      | 1    |
| 2   | 503060 | Slide valve pipe assembly 50%   |               |      | 1    |
| 3   | 503061 | Slide valve pipe assembly 25%   |               |      | 1    |
| 4   | 519475 | Spacer Ø15xØ30x13               |               |      | 2    |
| 5   | 519481 | Bearing spacer Ø115.4xØ130.5x41 |               |      | 1    |
| 6   | 519482 | Bearing spacer Ø92xØ120x40      |               |      | 1    |
| 7   | 519491 | High pressure discharge bush    |               |      | 1    |
| 8   | 534011 | Bearing housing                 |               |      | 1    |
| 9   | 534414 | Bearing housing cover           |               |      | 1    |
| 10  | 592780 | Bearing housing cover gasket    |               |      | 1    |
| 11  | 610680 | Plug 1/8"NPT                    |               |      | 1    |
| 12  | 611940 | Cylindrical pin Ø14x35          |               |      | 4    |
| 13  | 612542 | Screw M12x45                    |               |      | 9    |
| 14  | 612543 | Screw M12x70                    |               |      | 5    |
| 15  | 613730 | Conical spring Ø51xØ125x4       |               |      | 1    |
| 16  | 613740 | Conical spring Ø41xØ100x4       |               |      | 1    |
| 17  | 614574 | Screw M12x100                   |               |      | 2    |
| 18  | 614577 | Screw M16x70                    |               |      | 5    |
| 19  | 691081 | O-ring OR115                    |               |      | 1    |
| 20  | 691145 | O-ring OR6275                   |               |      | 1    |

**Bearing housing + bearing housing cover**

[www.refcomp.it](http://www.refcomp.it)  
[spareparts@refcomp.it](mailto:spareparts@refcomp.it)



Model: SRC-S-755



Kit

## Slide valve

ATTENZIONE: il presente disegno è di esclusiva proprietà REFCOMP. E' fatto divieto di riproduzione e di divulgazione anche parziale secondo quanto regolato dalle norme vigenti.

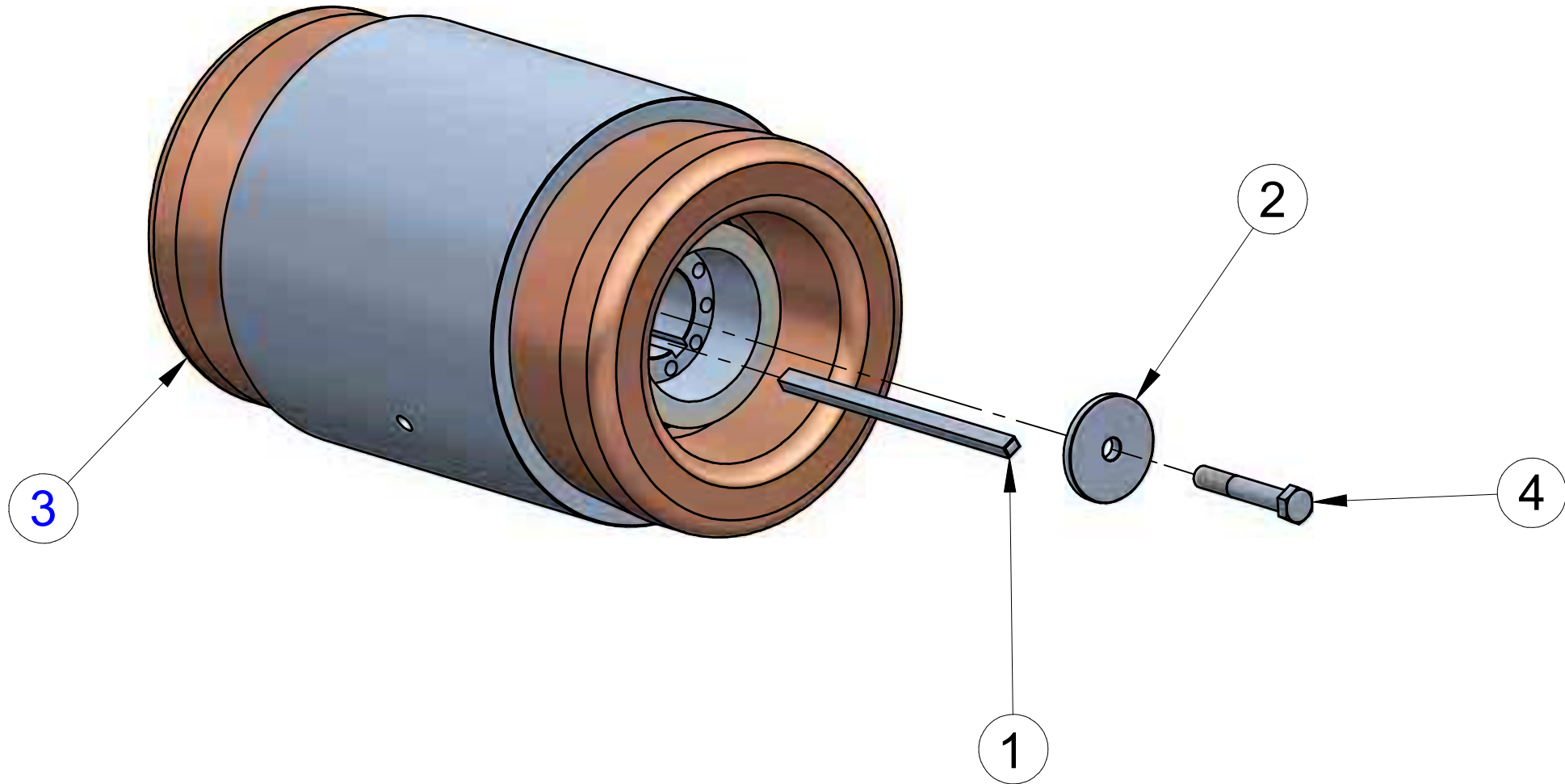
ATTENTION: the present drawing is exclusively ownership of REFCOMP. Is forbidden to reproduce and to disclose, even if partialy, the present document in conformity to law regulation in force.



| Pos | Code   | Description                | Serial number | Note | Q.ty |
|-----|--------|----------------------------|---------------|------|------|
| Kit | 303752 | Slide valve kit Vi=3.2     |               |      | 1    |
| 1   | 519191 | Spring slide valve         |               |      | 1    |
| 2   | 519224 | Front part control piston  |               |      | 1    |
| 3   | 519342 | Control piston             |               |      | 1    |
| 4   | 519522 | Command piston rod         |               |      | 1    |
| 5   | 534114 | Slide valve Vi=2.6         |               |      | 1    |
| 5   | 534115 | Slide valve Vi=3.2         |               |      | 1    |
| 5   | 534363 | Slide valve Vi=2.2         |               |      | 1    |
| 6   | 612470 | Screw M14x55               |               |      | 1    |
| 7   | 612980 | Screw M4x10                |               |      | 4    |
| 8   | 690160 | O-ring OR2081              |               |      | 1    |
| 9   | 691131 | Gasket                     |               |      | 1    |
| 10  | 691132 | Band gasket control piston |               |      | 1    |

**Slide valve**

Model: SRC-S-755



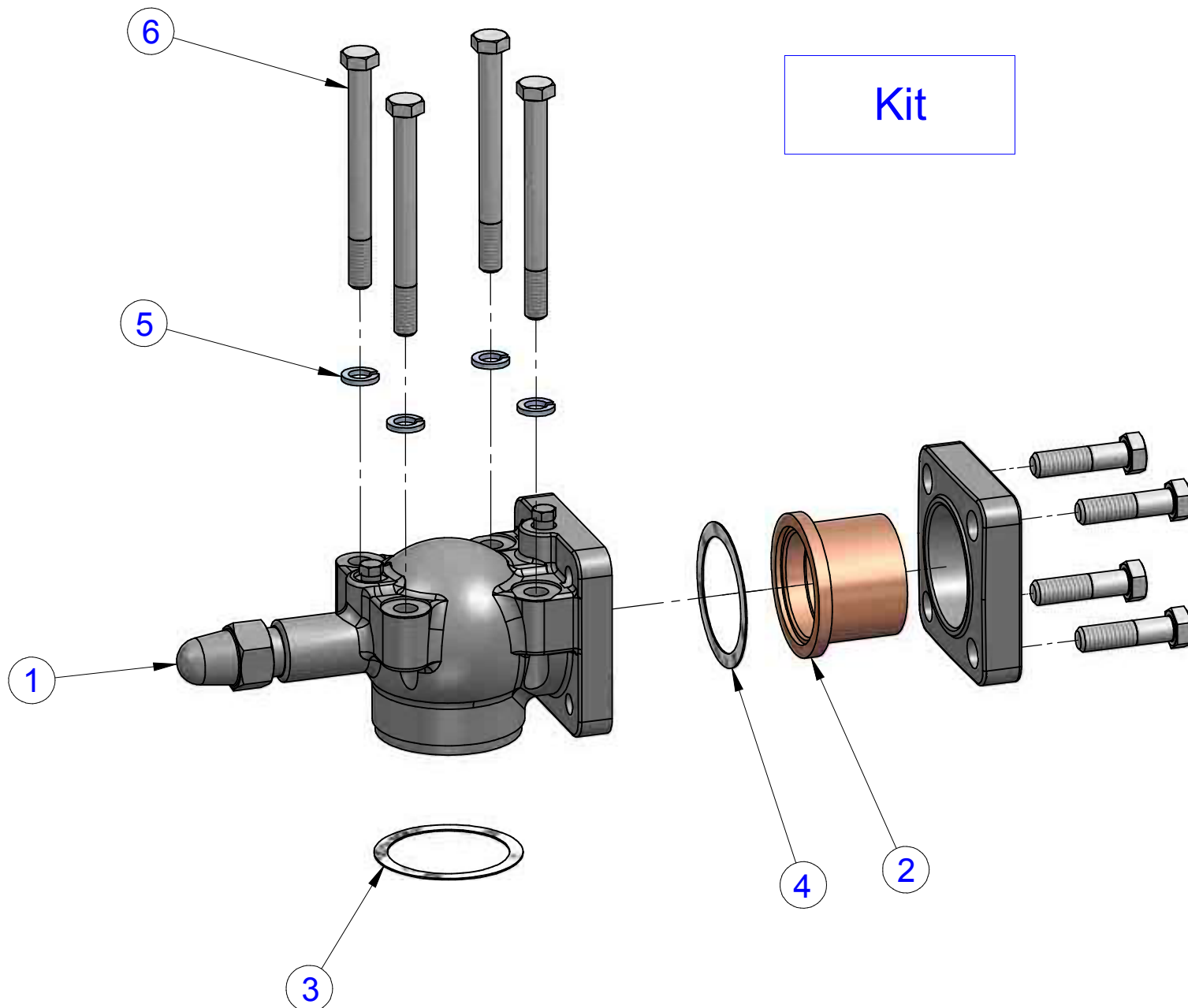
**Kit**

### Electrical motor

ATTENZIONE: il presente disegno è di esclusiva proprietà REFCOMP. E' fatto divieto di riproduzione e di divulgazione anche parziale secondo quanto regolato dalle norme vigenti.

ATTENTION: the present drawing is exclusively ownership of REFCOMP. Is forbidden to reproduce and to disclose, even if partially, the present document in conformity to law regulation in force.

| Pos | Code   | Description                        | Serial number | Note | Q.ty |
|-----|--------|------------------------------------|---------------|------|------|
| Kit | 303659 | Electric motor kit 400V/3/50Hz Y/D |               |      | 1    |
| 1   | 516770 | Key 12.7x10x254                    |               |      | 1    |
| 2   | 517240 | Shaft washer                       |               |      | 1    |
| 3   | 583753 | Electric motor 400V/3/50Hz Y/D     |               |      | 1    |
| 4   | 614487 | Screw M16x100                      |               |      | 1    |



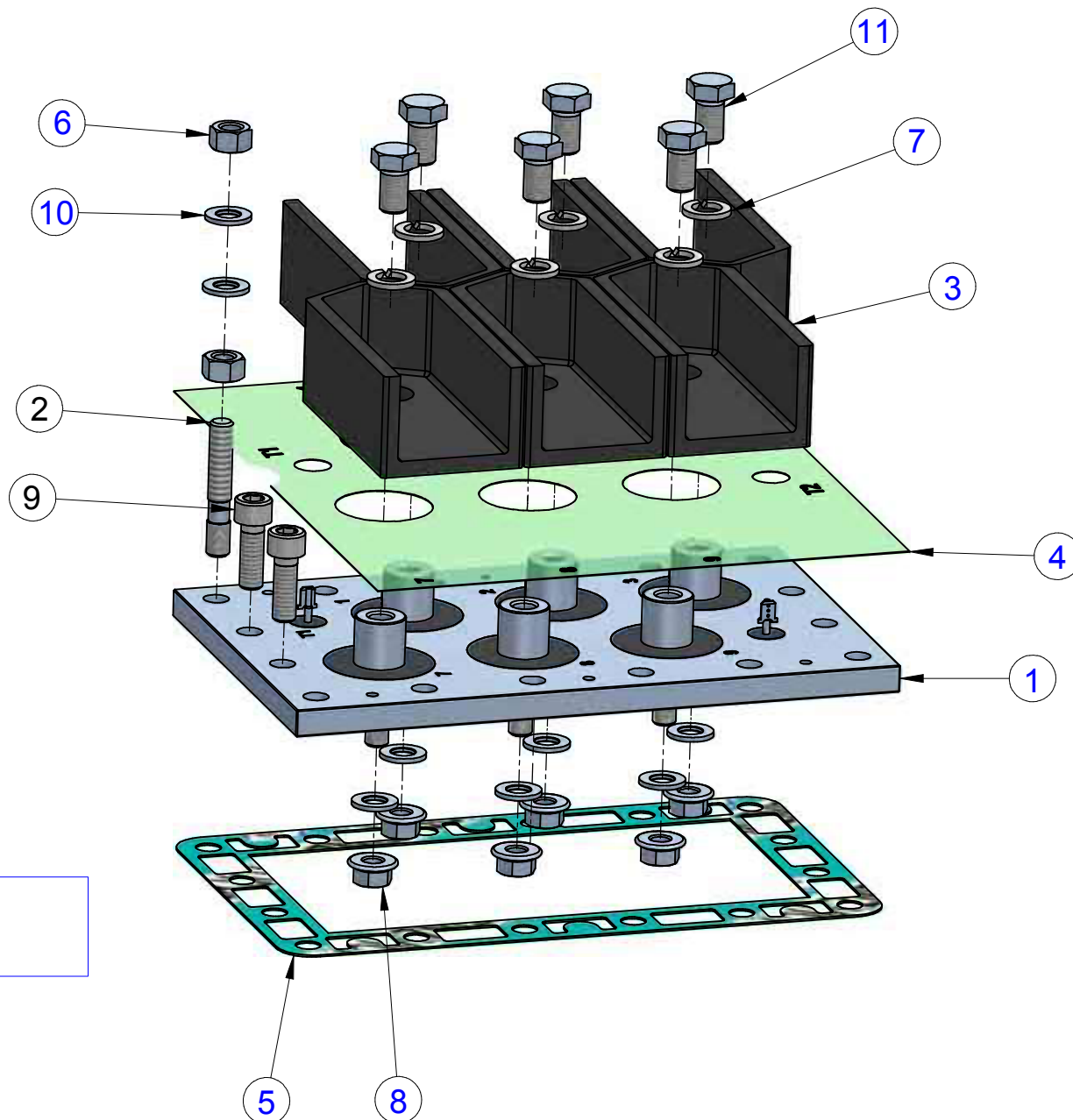
### Discharge shut-off valve

ATTENZIONE: il presente disegno è di esclusiva proprietà REFCOMP. E' fatto divieto di riproduzione e di divulgazione anche parziale secondo quanto regolato dalle norme vigenti.

ATTENTION: the present drawing is exclusively ownership of REFCOMP. Is forbidden to reproduce and to disclose, even if partially, the present document in conformity to law regulation in force.

| Pos | Code   | Description                          | Serial number | Note         | Q.ty |
|-----|--------|--------------------------------------|---------------|--------------|------|
| Kit | 300180 | Shut-off valve kit l=99 Ø67          |               |              | 1    |
| Kit | 303830 | Shut-off valve kit l=99 Ø76          |               |              | 1    |
| Kit | 303984 | Shut-off valve kit l=99 Ø54          |               |              | 1    |
| Kit | 304070 | Shut-off valve kit l=99 Ø80          |               | Standard Kit | 1    |
| 1   | 500250 | Shut-off valve l=99                  |               |              | 1    |
| 2   | 510500 | Bush Ø80                             |               | Standard     | 1    |
| 2   | 510550 | Bush Ø67                             |               |              | 1    |
| 2   | 510560 | Bush Ø76                             |               |              | 1    |
| 2   | 513420 | Bush Ø54                             |               |              | 1    |
| 3   | 590250 | Shut-off valve gasket Ø87.5xØ106.8x1 |               |              | 1    |
| 4   | 591130 | Shut-off valve gasket Ø84.8xØ105.8x1 |               |              | 1    |
| 5   | 610940 | Galvanized grower washer M16         |               |              | 4    |
| 6   | 614080 | Galvanized screw M16x170             |               |              | 4    |

**Discharge shut-off valve**



Kit

### Terminal plate

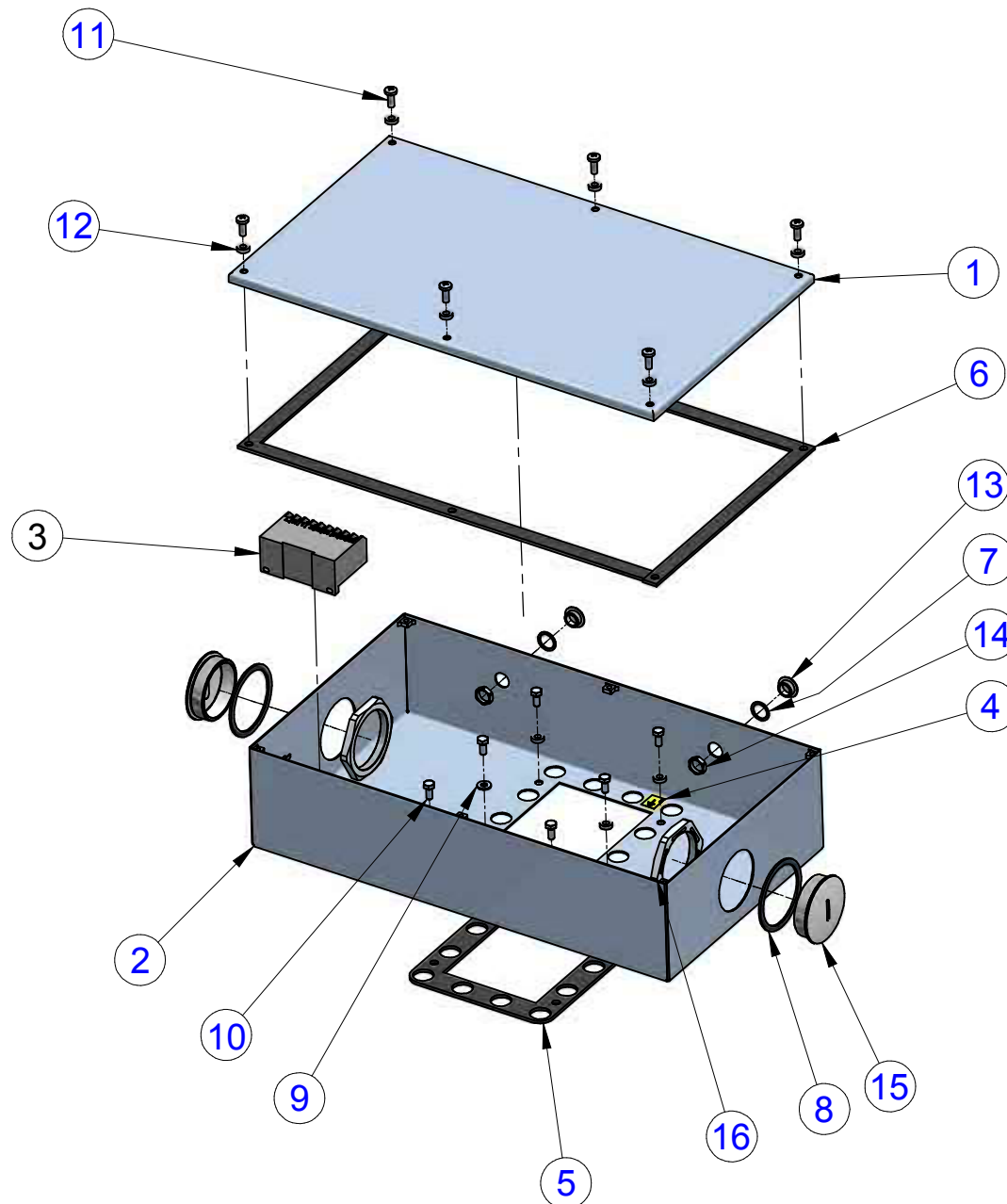
ATTENZIONE: il presente disegno è di esclusiva proprietà REFCOMP. E' fatto divieto di riproduzione e di divulgazione anche parziale secondo quanto regolato dalle norme vigenti.

ATTENTION: the present drawing is exclusively ownership of REFCOMP. Is forbidden to reproduce and to disclose, even if partially, the present document in conformity to law regulation in force.

| Pos | Code   | Description                                       | Serial number | Note | Q.ty |
|-----|--------|---|---------------|------|------|
| Kit | 303774 | Terminal plate kit '134-S-160/180/210/220' series |               |      | 1    |
| 1   | 502510 | Terminal plate M12                                |               |      | 1    |
| 2   | 512080 | Tie rod M10x60                                    |               |      | 1    |
| 3   | 592420 | Cable insulator                                   |               |      | 6    |
| 4   | 592480 | Terminal electric scheme                          |               |      | 1    |
| 5   | 592729 | Terminal plate gasket                             |               |      | 1    |
| 6   | 610820 | Galvanized nut M10                                |               |      | 2    |
| 7   | 610960 | Galvanized grower washer M12                      |               |      | 6    |
| 8   | 613250 | Klock nut M10 galvanized                          |               |      | 6    |
| 9   | 613900 | Galvanized screw M10x30                           |               |      | 15   |
| 10  | 613910 | Plane washer Ø10.5xØ20x2                          |               |      | 8    |
| 11  | 614190 | Galvanized screw M12x20                           |               |      | 6    |

**Terminal plate**





Kit

### Terminal box

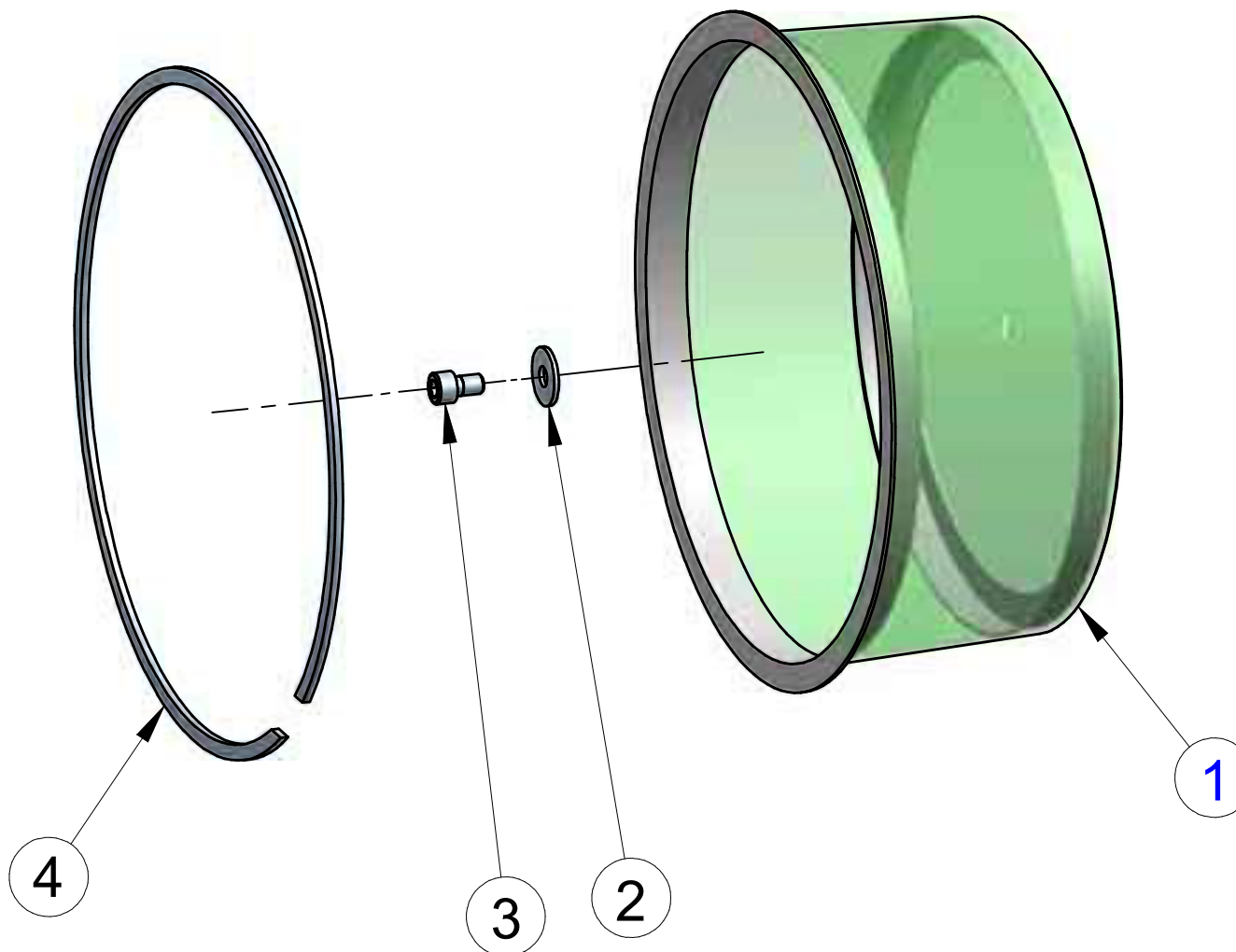
ATTENZIONE: il presente disegno è di esclusiva proprietà REFCOMP. E' fatto divieto di riproduzione e di divulgazione anche parziale secondo quanto regolato dalle norme vigenti.

ATTENTION: the present drawing is exclusively ownership of REFCOMP. Is forbidden to reproduce and to disclose, even if partially, the present document in conformity to law regulation in force.

| Pos | Code   | Description                                     | Serial number | Note | Q.ty |
|-----|--------|---|---------------|------|------|
| Kit | 303376 | Electric box kit '134-S-160/180/210/220' series |               |      | 1    |
| 3   | 303873 | RefComp protector device RCX kit 110/230V       |               |      | 1    |
| 2   | 502600 | Electric box                                    |               |      | 1    |
| 1   | 518260 | Electrical box cover                            |               |      | 1    |
| 4   | 585220 | Ground label                                    |               |      | 1    |
| 5   | 592460 | Electrical box gasket                           |               |      | 1    |
| 6   | 592470 | Electric box cover gasket                       |               |      | 2    |
| 7   | 592826 | Rubber washer gasket ISO 16                     |               |      | 2    |
| 8   | 592830 | Rubber washer ISO 63                            |               |      | 2    |
| 9   | 611010 | Plane washer Ø6x14x1.5                          |               |      | 1    |
| 10  | 611150 | Galvanized screw M6x14                          |               |      | 6    |
| 11  | 613960 | Galvanized screw M6x16                          |               |      | 6    |
| 12  | 691107 | Rubber washer miniplast MP16-6                  |               |      | 11   |
| 13  | 691153 | Plastic plug ISO 16                             |               |      | 2    |
| 14  | 691154 | Plastic nut ISO 16                              |               |      | 2    |
| 15  | 691161 | Plastic plug ISO 63                             |               |      | 2    |
| 16  | 691162 | Plastic nut ISO 63                              |               |      | 2    |

**Terminal box**

Kit

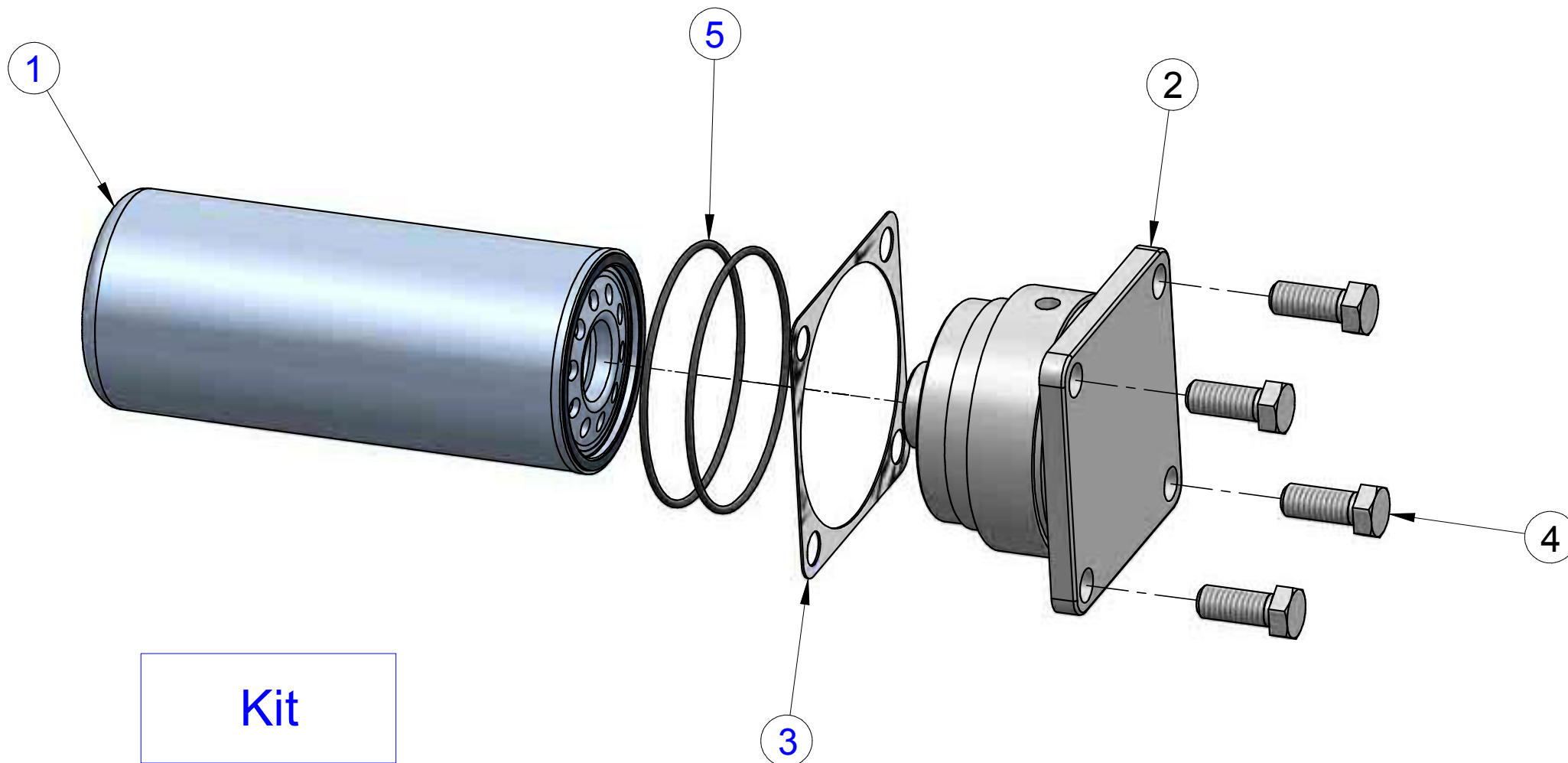


### Suction strainer

ATTENZIONE: il presente disegno è di esclusiva proprietà REFCOMP. E' fatto divieto di riproduzione e di divulgazione anche parziale secondo quanto regolato dalle norme vigenti.

ATTENTION: the present drawing is exclusively ownership of REFCOMP. Is forbidden to reproduce and to disclose, even if partially, the present document in conformity to law regulation in force.

| Pos | Code   | Description            | Serial number | Note | Q.ty |
|-----|--------|------------------------|---------------|------|------|
| Kit | 303324 | Suction filter kit     |               |      | 1    |
| 1   | 502971 | Suction filter         |               |      | 1    |
| 2   | 611100 | Plane washer Ø10xØ30x2 |               |      | 1    |
| 3   | 613940 | Screw M10x16           |               |      | 1    |
| 4   | 614523 | Seeger ring            |               |      | 1    |



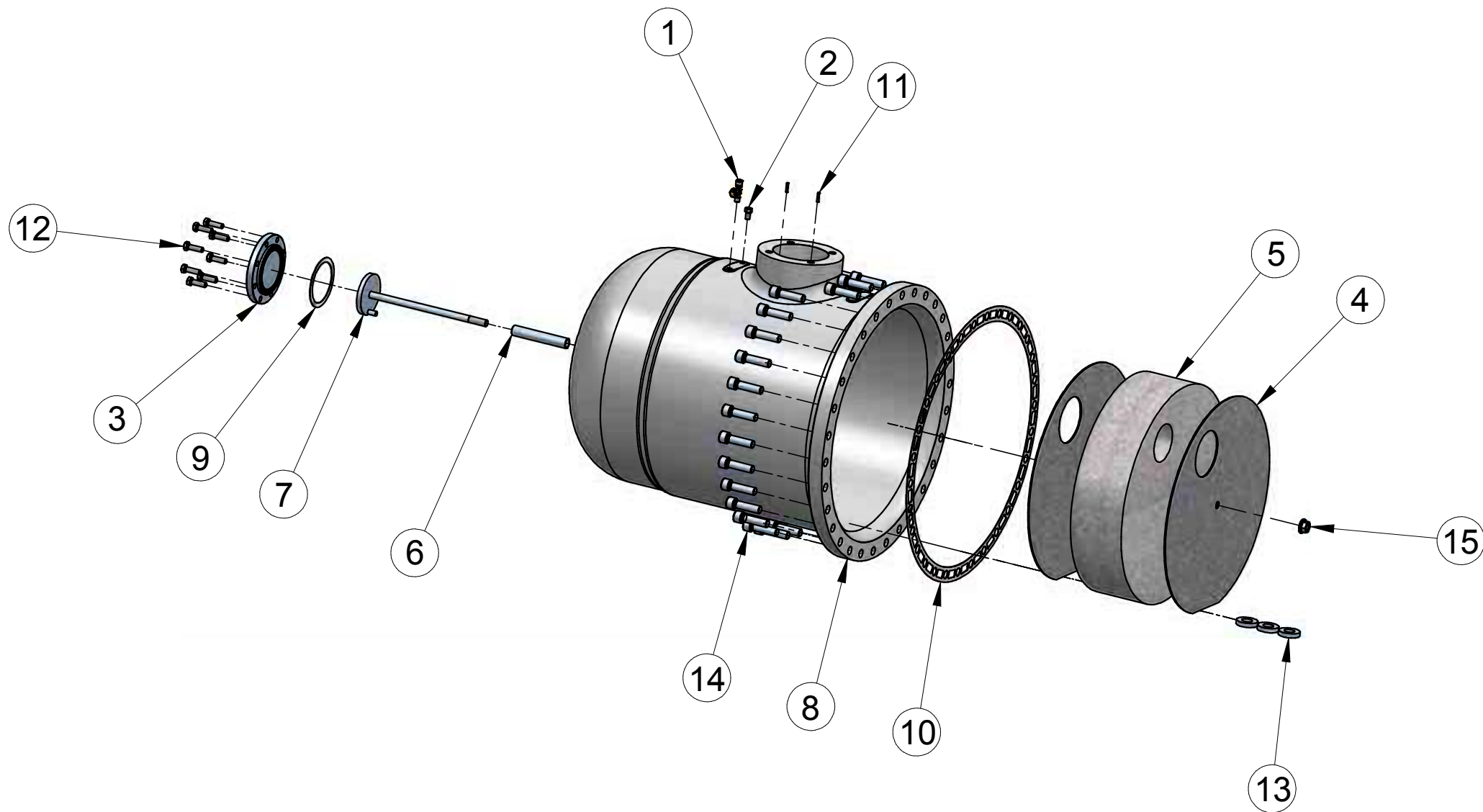
Kit

### Oil strainer

ATTENZIONE: il presente disegno è di esclusiva proprietà REFCOMP. E' fatto divieto di riproduzione e di divulgazione anche parziale secondo quanto regolato dalle norme vigenti.

ATTENTION: the present drawing is exclusively ownership of REFCOMP. Is forbidden to reproduce and to disclose, even if partially, the present document in conformity to law regulation in force.

| Pos | Code   | Description              | Serial number | Note | Q.ty |
|-----|--------|--------------------------|---------------|------|------|
| Kit | 303672 | Oil filter kit           |               |      | 1    |
| 1   | 502973 | Oil filter cartridge M42 |               |      | 1    |
| 2   | 533956 | Oil filter plug          |               |      | 1    |
| 3   | 592785 | Oil filter plug gasket   |               |      | 1    |
| 4   | 614500 | Screw M16x40             |               |      | 4    |
| 5   | 691105 | O-ring OR4487            |               |      | 2    |



## Oil separator

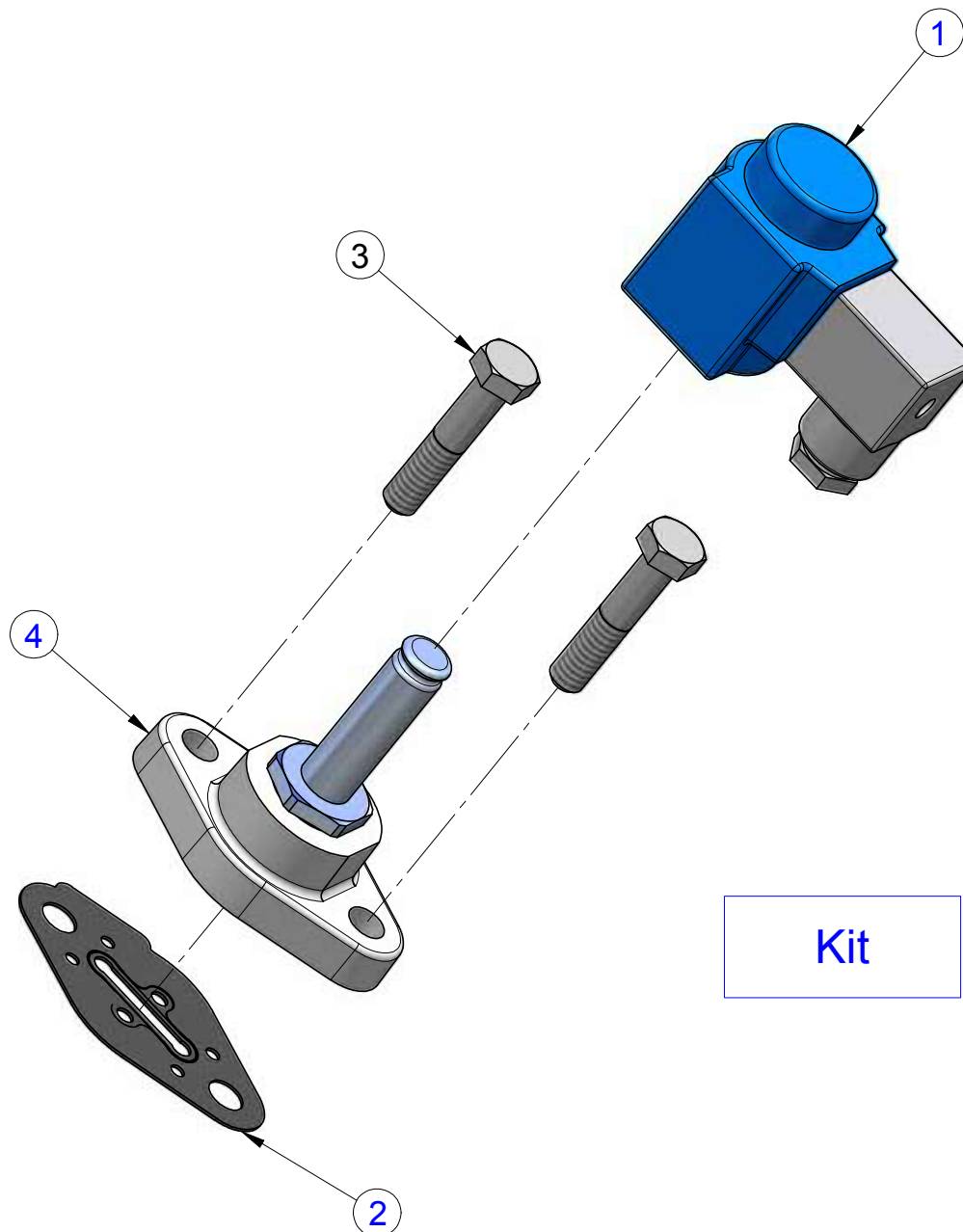
ATTENZIONE: il presente disegno è di esclusiva proprietà REFCOMP. E' fatto divieto di riproduzione e di divulgazione anche parziale secondo quanto regolato dalle norme vigenti.

ATTENTION: the present drawing is exclusively ownership of REFCOMP. Is forbidden to reproduce and to disclose, even if partially, the present document in conformity to law regulation in force.



| Pos | Code   | Description                          | Serial number | Note | Q.ty |
|-----|--------|--------------------------------------|---------------|------|------|
| 1   | 500261 | Tee-piece union 1/8"NPT-1/4"-1/4"SAE |               |      | 1    |
| 2   | 519143 | Plug 1/8" NPT                        |               |      | 1    |
| 3   | 519203 | High pressure cover plate            |               |      | 1    |
| 4   | 519309 | Punched metal sheet oil separator    |               |      | 2    |
| 5   | 519310 | Demister                             |               |      | 1    |
| 6   | 519318 | Spacer pipe                          |               |      | 1    |
| 7   | 519319 | Oil separator tie rod                |               |      | 1    |
| 8   | 533888 | Oil separator                        |               |      | 1    |
| 9   | 590250 | Shut-off valve gasket Ø87.5xØ106.8x1 |               |      | 1    |
| 10  | 592010 | Oil separator/rotor housing gasket   |               |      | 1    |
| 11  | 611810 | Elastic pin Ø4x20                    |               |      | 2    |
| 12  | 612150 | Galvanized screw M10x35              |               |      | 8    |
| 13  | 612490 | Magnet                               |               |      | 3    |
| 14  | 614020 | Screw M16x60                         |               |      | 30   |
| 15  | 614517 | Klock nut M14 galvanized             |               |      | 1    |

Model: SRC-S-755



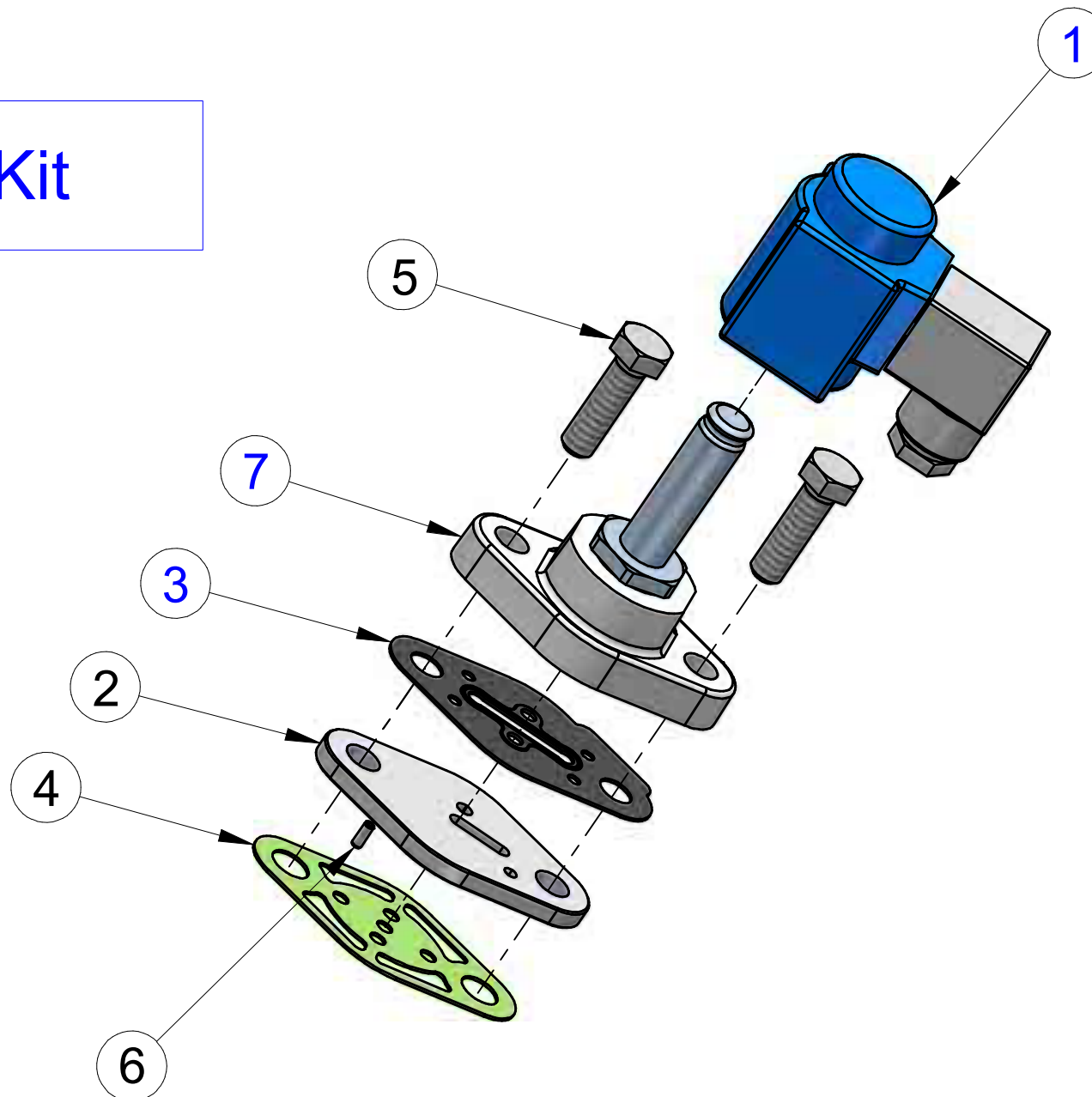
## Capacity control solenoid valve

ATTENZIONE: il presente disegno è di esclusiva proprietà REFCOMP. E' fatto divieto di riproduzione e di divulgazione anche parziale secondo quanto regolato dalle norme vigenti.

ATTENTION: the present drawing is exclusively ownership of REFCOMP. Is forbidden to reproduce and to disclose, even if partialy, the present document in conformity to law regulation in force.

| Pos | Code   | Description                           | Serial number | Note | Q.ty |
|-----|--------|---------------------------------------|---------------|------|------|
| Kit | 304123 | Solenoid valve kit 230V 50-60Hz R134A |               |      | 1    |
| 1   | 503330 | Coil 230V-50/60Hz                     |               |      | 1    |
| 2   | 592731 | Solenoid valve gasket l=65            |               |      | 1    |
| 3   | 611370 | Screw M10x30                          |               |      | 2    |
| 4   | 760450 | Solenoid valve                        |               |      | 1    |

Kit

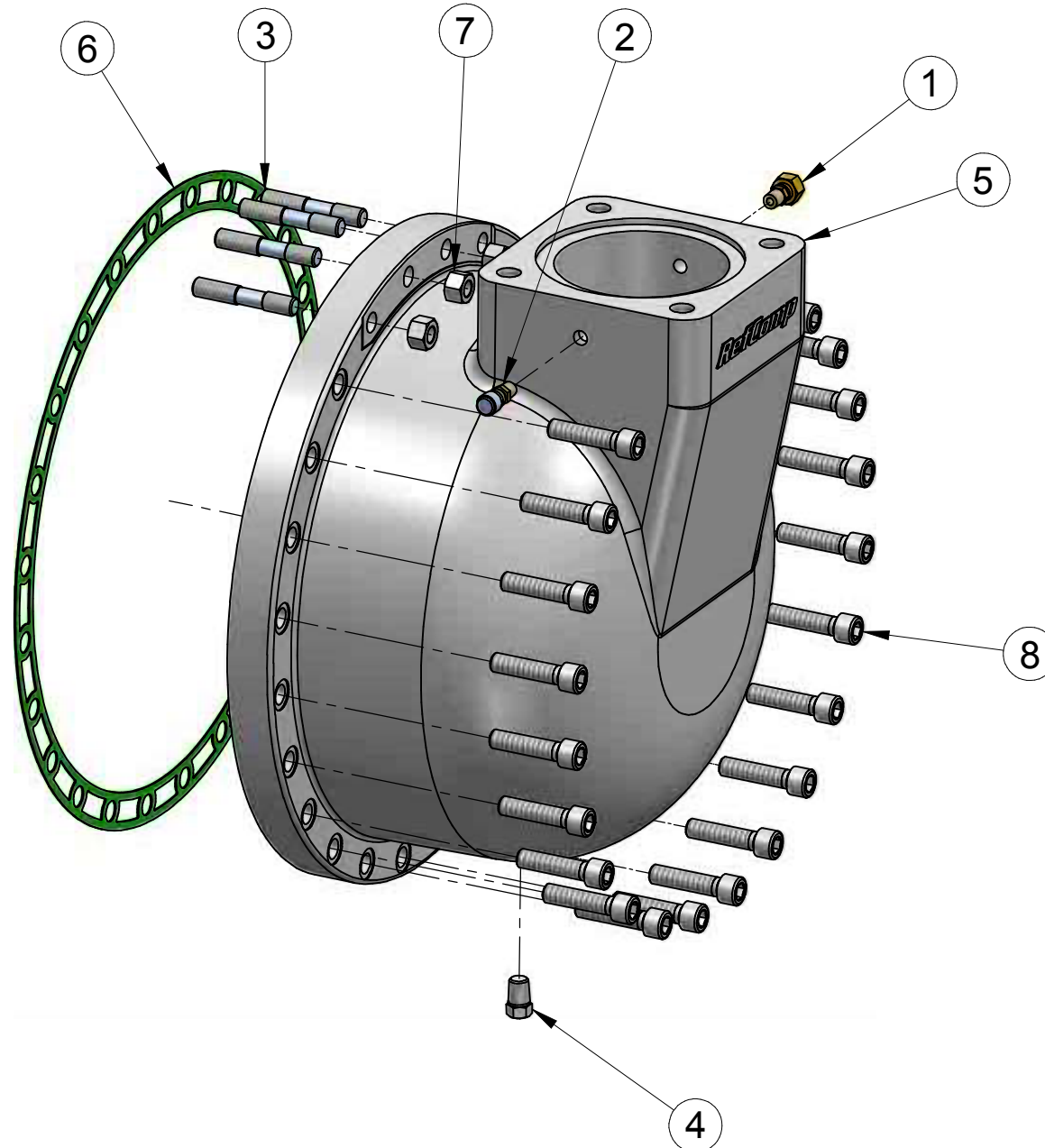


**'L4' Capacity control solenoid valve**

ATTENZIONE: il presente disegno è di esclusiva proprietà REFCOMP. E' fatto divieto di riproduzione e di divulgazione anche parziale secondo quanto regolato dalle norme vigenti.

ATTENTION: the present drawing is exclusively ownership of REFCOMP. Is forbidden to reproduce and to disclose, even if partialy, the present document in conformity to law regulation in force.

| Pos | Code   | Description                           | Serial number | Note | Q.ty |
|-----|--------|---------------------------------------|---------------|------|------|
| Kit | 304123 | Solenoid valve kit 230V 50-60Hz R134A |               |      | 1    |
| 1   | 503330 | Coil 230V-50/60Hz                     |               |      | 1    |
| 2   | 519422 | Capacity control plate 'L4'           |               |      | 1    |
| 3   | 592731 | Solenoid valve gasket l=65            |               |      | 1    |
| 4   | 592762 | Solenoid valve/plate gasket           |               |      | 1    |
| 5   | 612150 | Galvanized screw M10x35               |               |      | 2    |
| 6   | 614566 | Elastic pin Ø8x3                      |               |      | 1    |
| 7   | 760450 | Solenoid valve                        |               |      | 1    |



## Suction cover

ATTENZIONE: il presente disegno è di esclusiva proprietà REFCOMP. E' fatto divieto di riproduzione e di divulgazione anche parziale secondo quanto regolato dalle norme vigenti.

ATTENTION: the present drawing is exclusively ownership of REFCOMP. Is forbidden to reproduce and to disclose, even if partially, the present document in conformity to law regulation in force.

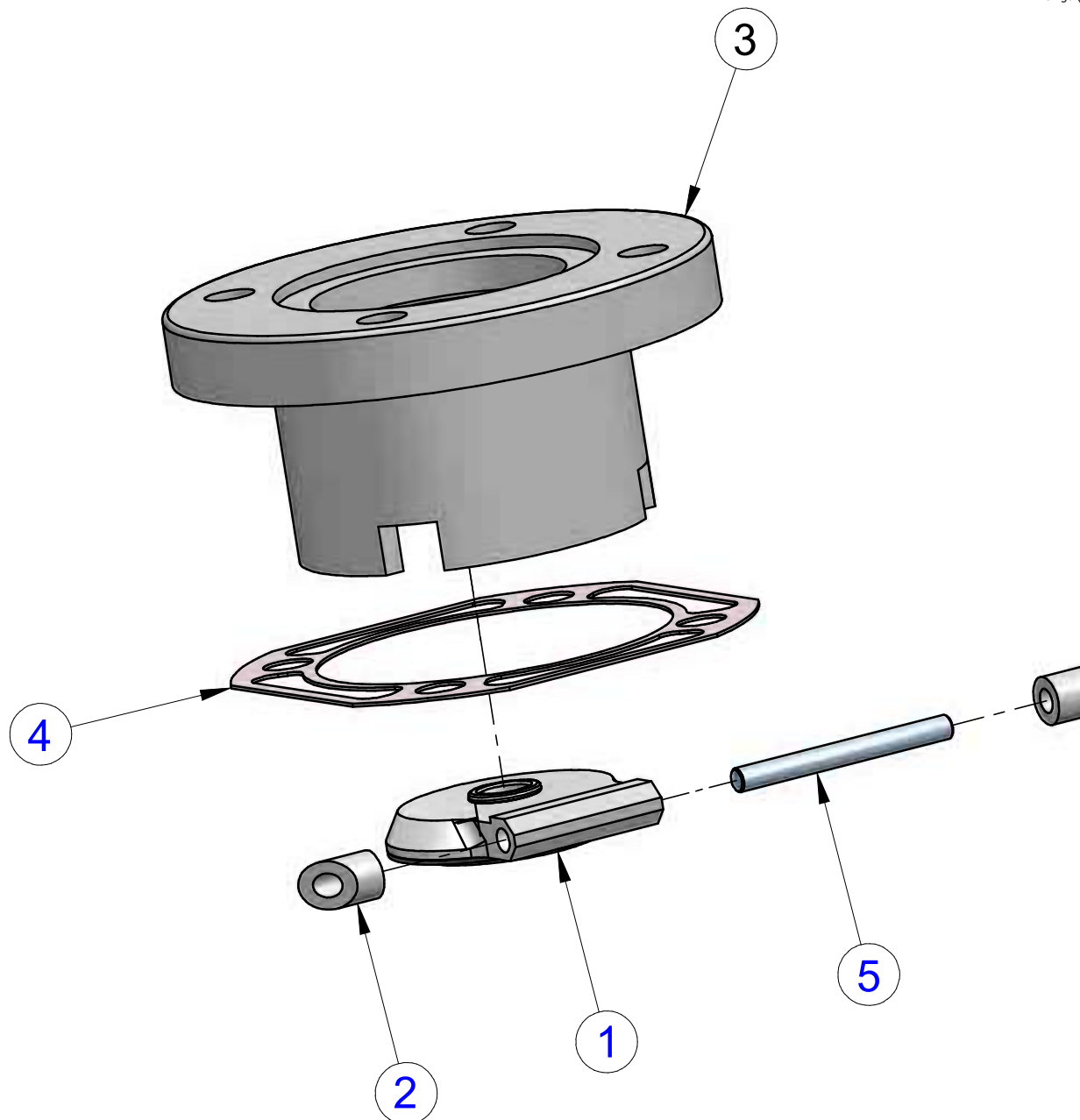
| Pos | Code   | Description                         | Serial number | Note | Q.ty |
|-----|--------|-------------------------------------|---------------|------|------|
| 1   | 500262 | Straight connection 1/8"NPT-1/4"SAE |               |      | 1    |
| 2   | 500263 | Straight connection 1/8"NPT-1/4"SAE |               |      | 1    |
| 3   | 510970 | Stud M12x70                         |               |      | 4    |
| 4   | 519147 | Plug 1/4" NPT                       |               |      | 1    |
| 5   | 533795 | Suction cover                       |               |      | 1    |
| 6   | 592746 | Suction cover gasket                |               |      | 1    |
| 7   | 610830 | Nut M12                             |               |      | 4    |
| 8   | 613820 | Galvanized screw M12x50             |               |      | 20   |

**Suction cover**



Model: SRC-S-755

Kit

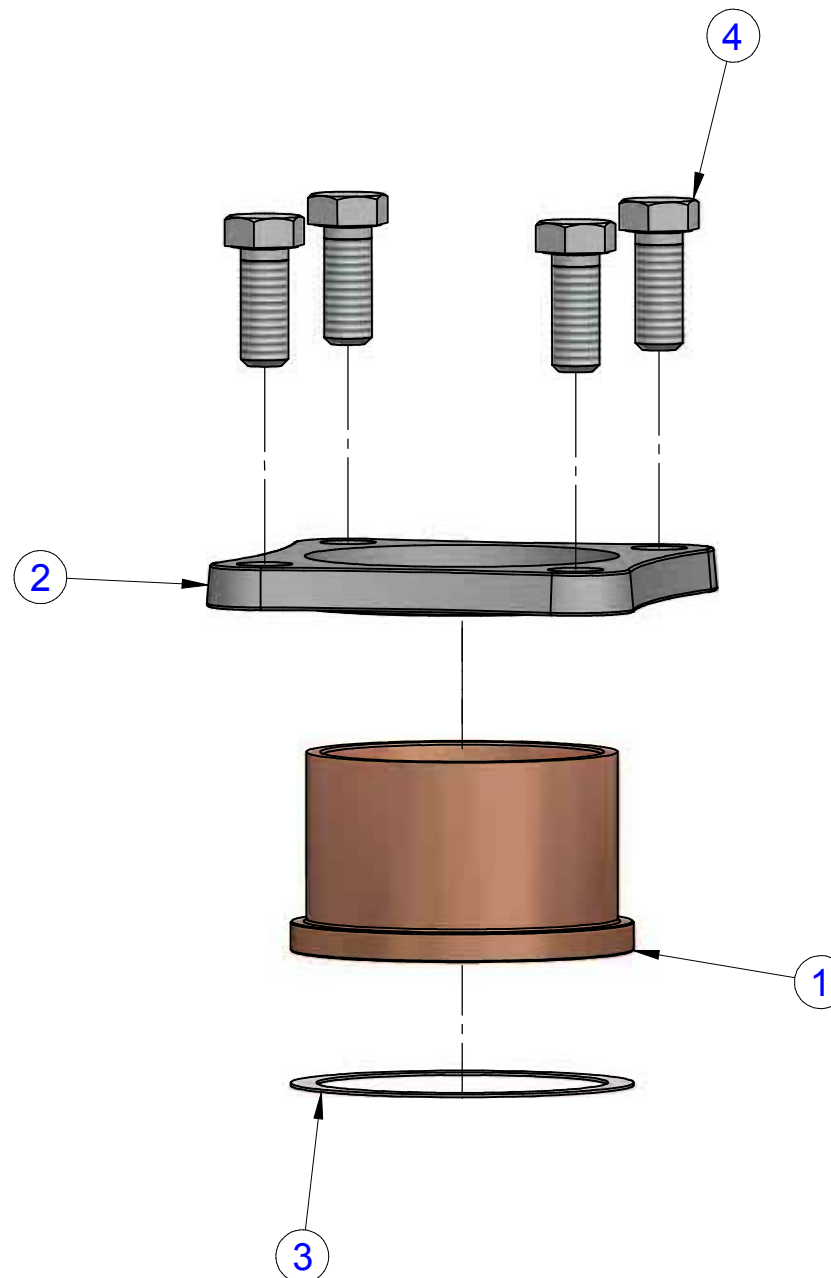


## Check valve

ATTENZIONE: il presente disegno è di esclusiva proprietà REFCOMP.  
E' fatto divieto di riproduzione e di divulgazione anche parziale secondo  
quanto regolato dalle norme vigenti.

ATTENTION: the present drawing is exclusively ownership of REFCOMP.  
Is forbidden to reproduce and to disclose, even if partialy, the present  
document in conformity to law regulation in force.

| Pos | Code   | Description             | Serial number | Note | Q.ty |
|-----|--------|-------------------------|---------------|------|------|
| Kit | 303564 | Check valve bush kit    |               |      | 1    |
| 1   | 502590 | Check valve             |               |      | 1    |
| 2   | 517420 | Insert                  |               |      | 2    |
| 3   | 534045 | Check valve bush        |               |      | 1    |
| 4   | 592782 | Check valve bush gasket |               |      | 1    |
| 5   | 610980 | Cilindrical pin Ø8x80   |               |      | 1    |



Kit

### Suction bush

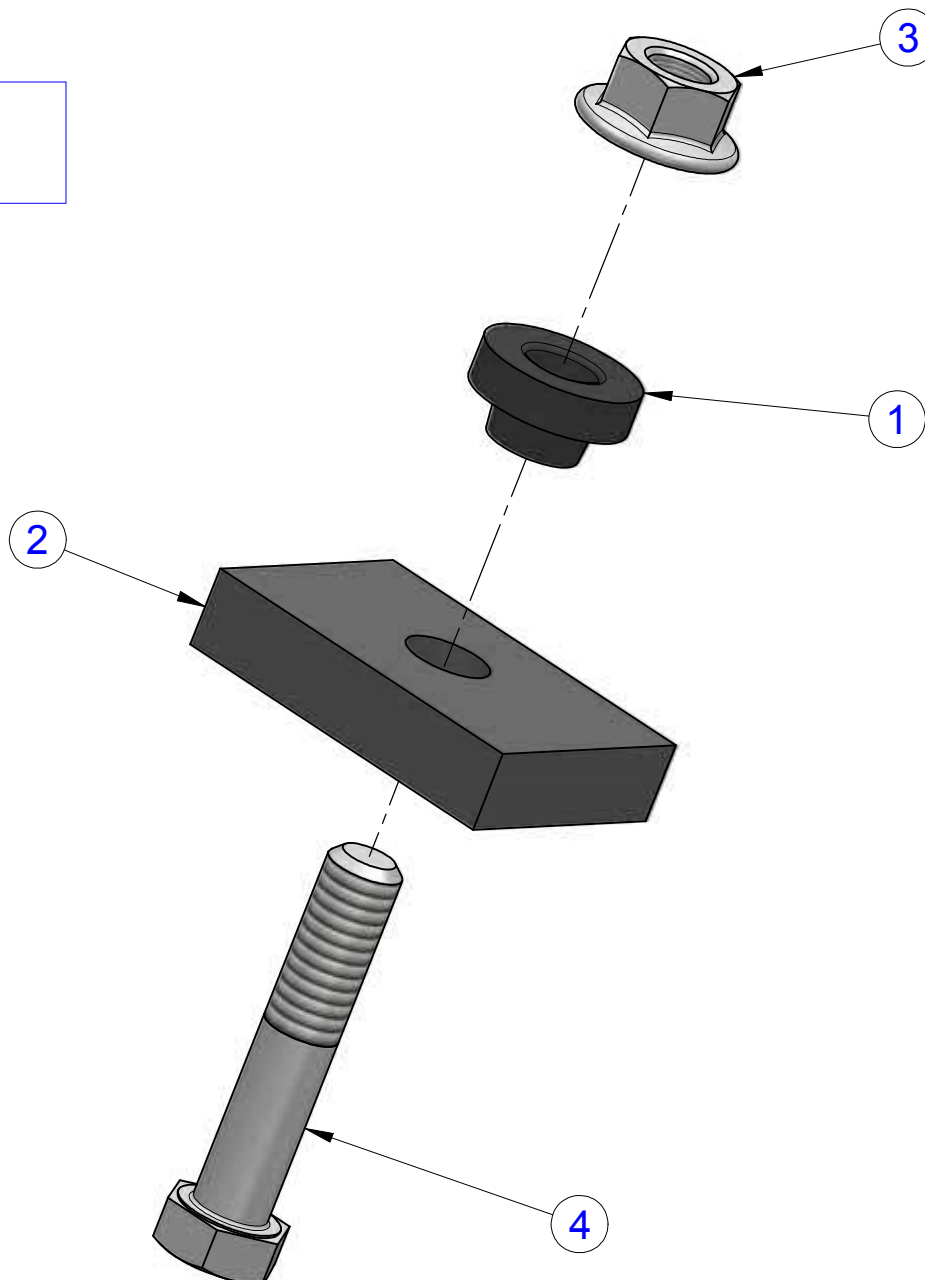
ATTENZIONE: il presente disegno è di esclusiva proprietà REFCOMP. E' fatto divieto di riproduzione e di divulgazione anche parziale secondo quanto regolato dalle norme vigenti.

ATTENTION: the present drawing is exclusively ownership of REFCOMP. Is forbidden to reproduce and to disclose, even if partially, the present document in conformity to law regulation in force.

| Pos | Code   | Description                         | Serial number | Note | Q.ty |
|-----|--------|-------------------------------------|---------------|------|------|
| Kit | 303508 | Flange + bush kit Ø105              |               |      | 1    |
| Kit | 303538 | Flange + bush kit Ø80               |               |      | 1    |
| 1   | 519239 | Bush Ø105                           |               |      | 1    |
| 2   | 519240 | Flange l=122                        |               |      | 1    |
| 1   | 519278 | Bush Ø108                           |               |      | 1    |
| 1   | 519289 | Bush Ø80                            |               |      | 1    |
| 1   | 519361 | Bush Ø89                            |               |      | 1    |
| 1   | 519376 | Bush Ø77                            |               |      | 1    |
| 3   | 592745 | Shut-off valve gasket Ø110.5xØ130x1 |               |      | 1    |
| 4   | 610011 | Galvanized screw M18x45             |               |      | 4    |

Model: SRC-S-755

Kit



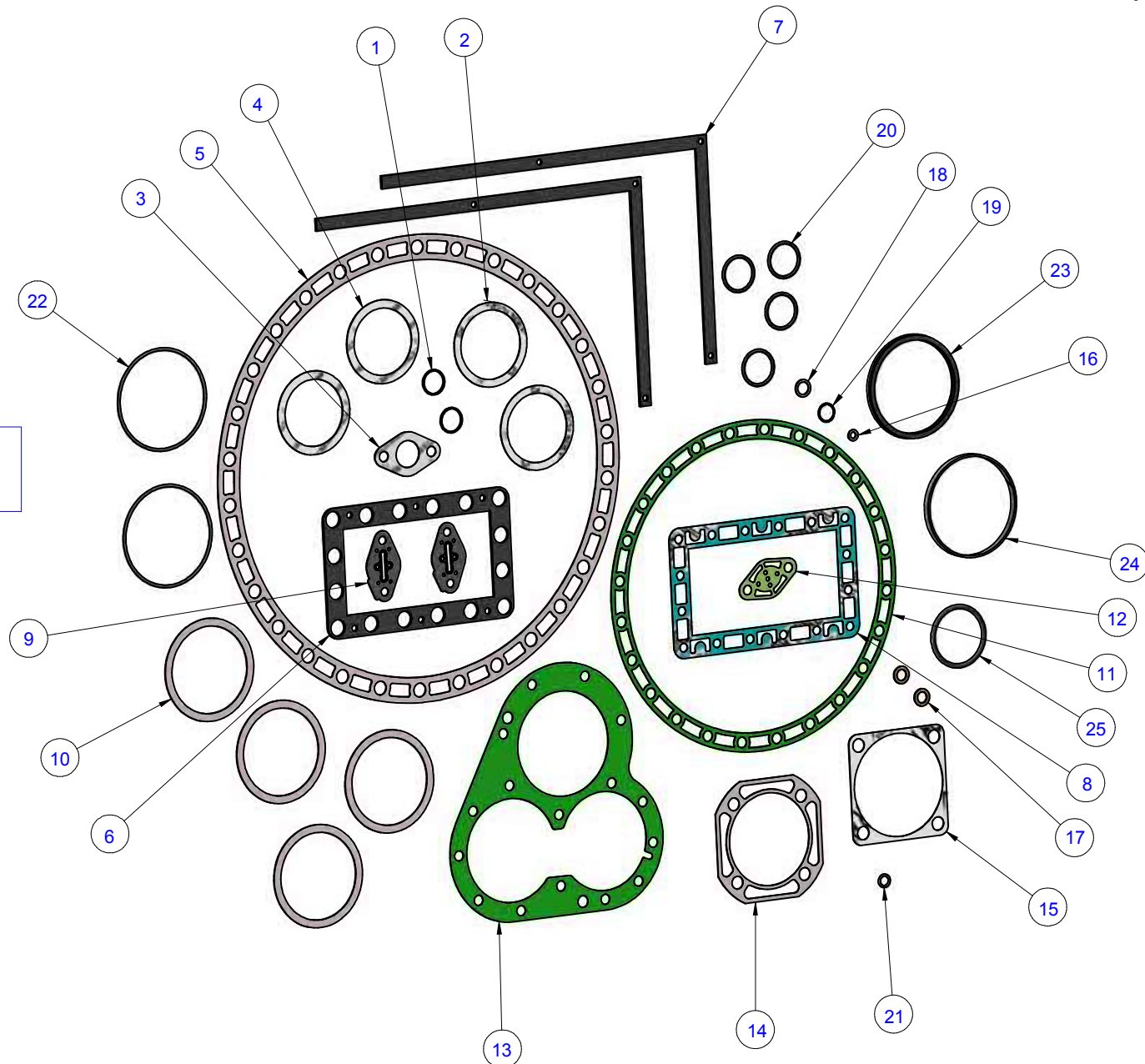
## Dumpers

ATTENZIONE: il presente disegno è di esclusiva proprietà REFCOMP. E' fatto divieto di riproduzione e di divulgazione anche parziale secondo quanto regolato dalle norme vigenti.

ATTENTION: the present drawing is exclusively ownership of REFCOMP. Is forbidden to reproduce and to disclose, even if partialy, the present document in conformity to law regulation in force.

| Pos | Code   | Description              | Serial number | Note | Q.ty |
|-----|--------|--------------------------|---------------|------|------|
| Kit | 303321 | Rubber dumpers kit       |               |      | 1    |
| 1   | 592742 | Dumper bush              |               |      | 4    |
| 2   | 592840 | Dumper (80°sh)           |               |      | 4    |
| 3   | 614517 | Klock nut M14 galvanized |               |      | 4    |
| 4   | 614525 | Galvanized screw M14x70  |               |      | 4    |

Kit



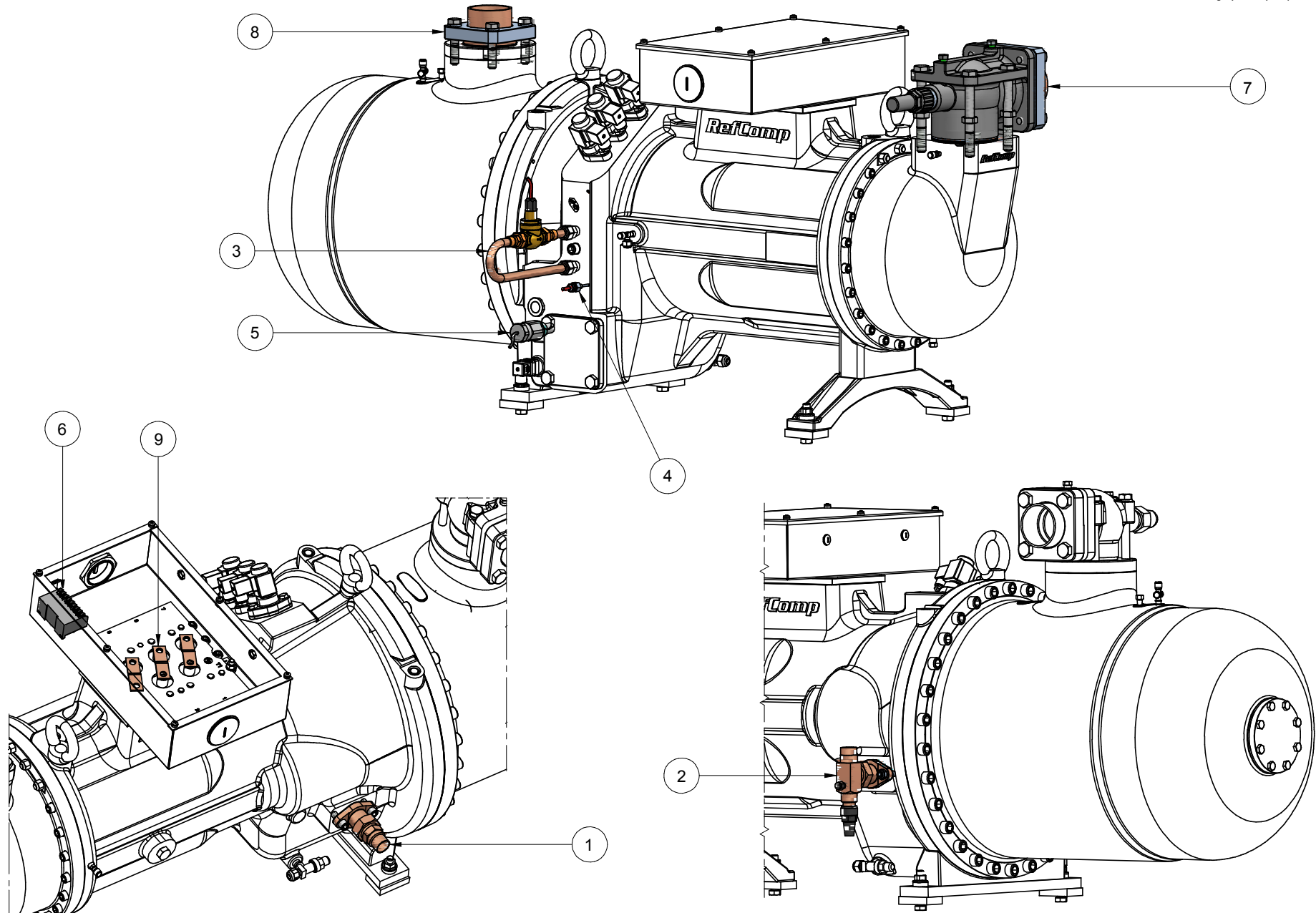
## Gaskets

ATTENZIONE: il presente disegno è di esclusiva proprietà REFCOMP. E' fatto divieto di riproduzione e di divulgazione anche parziale secondo quanto regolato dalle norme vigenti.

ATTENTION: the present drawing is exclusively ownership of REFCOMP. Is forbidden to reproduce and to disclose, even if partially, the present document in conformity to law regulation in force.



| Pos | Code   | Description                          | Serial number | Note | Q.ty |
|-----|--------|--------------------------------------|---------------|------|------|
| Kit | 303583 | Gasket kit                           |               |      | 1    |
| 1   | 520664 | Aluminium ring Ø28.6xØ31.8x2         |               |      | 2    |
| 2   | 590250 | Shut-off valve gasket Ø87.5xØ106.8x1 |               |      | 2    |
| 3   | 591030 | Oval flange gasket l=70              |               |      | 1    |
| 4   | 591130 | Shut-off valve gasket Ø84.8xØ105.8x1 |               |      | 2    |
| 5   | 592010 | Oil separator/rotor housing gasket   |               |      | 1    |
| 6   | 592460 | Electrical box gasket                |               |      | 1    |
| 7   | 592470 | Electric box cover gasket            |               |      | 2    |
| 8   | 592729 | Terminal plate gasket                |               |      | 1    |
| 9   | 592731 | Solenoid valve gasket l=65           |               |      | 2    |
| 10  | 592745 | Shut-off valve gasket Ø110.5xØ130x1  |               |      | 4    |
| 11  | 592746 | Suction cover gasket                 |               |      | 1    |
| 12  | 592762 | Solenoid valve/plate gasket          |               |      | 1    |
| 13  | 592780 | Bearing housing cover gasket         |               |      | 1    |
| 14  | 592782 | Check valve bush gasket              |               |      | 1    |
| 15  | 592785 | Oil filter plug gasket               |               |      | 1    |
| 16  | 620100 | Alluminium plane washer Ø8xØ14x1.5   |               |      | 1    |
| 17  | 640650 | Copper washer Ø14xØ22x1.5            |               |      | 2    |
| 18  | 680030 | Copper washer Ø16x22x1.5             |               |      | 1    |
| 19  | 690160 | O-ring OR2081                        |               |      | 1    |
| 20  | 691030 | O-ring OR144                         |               |      | 4    |
| 21  | 691081 | O-ring OR115                         |               |      | 1    |
| 22  | 691105 | O-ring OR4487                        |               |      | 2    |
| 23  | 691131 | Gasket                               |               |      | 1    |
| 24  | 691132 | Band gasket control piston           |               |      | 1    |
| 25  | 691145 | O-ring OR6275                        |               |      | 1    |



**Optional**

ATTENZIONE: il presente disegno è di esclusiva proprietà REFCOMP. E' fatto divieto di riproduzione e di divulgazione anche parziale secondo quanto regolato dalle norme vigenti.

ATTENTION: the present drawing is exclusively ownership of REFCOMP. Is forbidden to reproduce and to disclose, even if partially, the present document in conformity to law regulation in force.

| Pos | Code   | Description   | Serial number | Note         | Q.ty |
|-----|--------|---|---------------|--------------|------|
| 1   | 303157 | Liquid injection kit                                  |               |              | 1    |
| 2   | 303572 | ECO shut-off valve kit                                |               |              | 1    |
| 3   | 303799 | Oil flow switch kit without motor protector INT69VS   |               |              | 1    |
| 3   | 303819 | Oil flow switch kit with motor protector INT69VS 230V |               |              | 1    |
| 3   | 304094 | Oil flow switch kit with motor protector INT69VS 110V |               |              | 1    |
| 3   | 304095 | Oil flow switch kit with motor protector INT69VS 24V  |               |              | 1    |
| 4   | 303532 | Temperature probe kit 120°C                           |               |              | 1    |
| 5   | 303549 | Optical level oil kit sensor                          |               |              | 1    |
| 6   | 303170 | Motor protector kit                                   |               |              | 1    |
| 7   | 303121 | Shut-off valve kit Ø77                                |               |              | 1    |
| 7   | 303122 | Shut-off valve kit Ø80                                |               |              | 1    |
| 7   | 303123 | Shut-off valve kit Ø89                                |               |              | 1    |
| 7   | 303124 | Shut-off valve kit Ø92                                |               |              | 1    |
| 7   | 303125 | Shut-off valve kit Ø105                               |               | Standard Kit | 1    |
| 7   | 303126 | Shut-off valve kit Ø108                               |               |              | 1    |
| 8   | 304170 | Flange + bush kit Ø80                                 |               | Standard Kit | 1    |
| 9   | 303193 | Direct starting kit I=68.2                            |               |              | 1    |

**Optional**