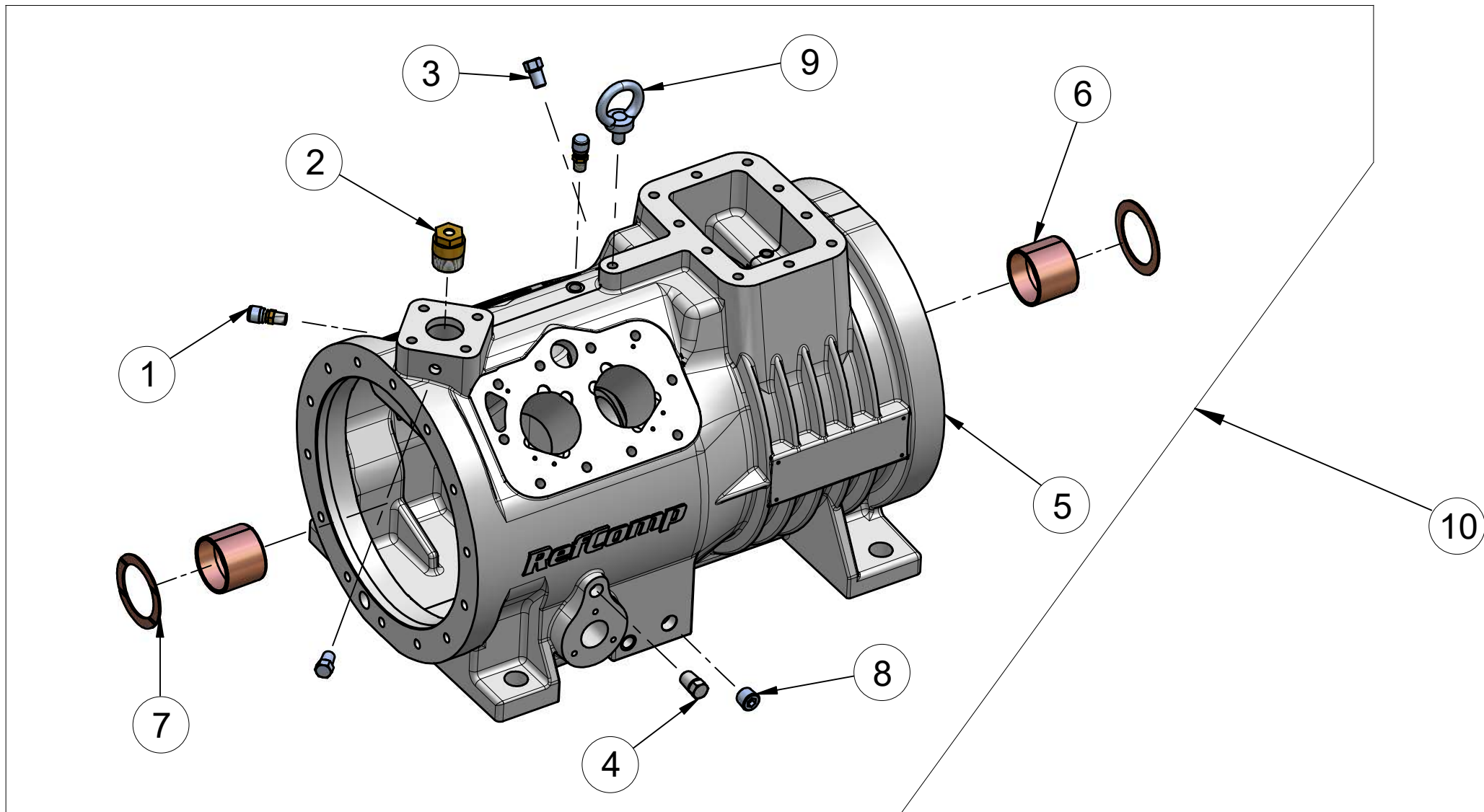


**SP4LF0600 > 1200 - SP4HF1000\_1200**

ATTENZIONE: il presente disegno è di esclusiva proprietà REFCOMP. E' fatto divieto di riproduzione e di divulgazione anche parziale secondo quanto regolato dalle norme vigenti.

ATTENTION: the present drawing is exclusively ownership of REFCOMP. Is forbidden to reproduce and to disclose, even if partially, the present document in conformity to law regulation in force.

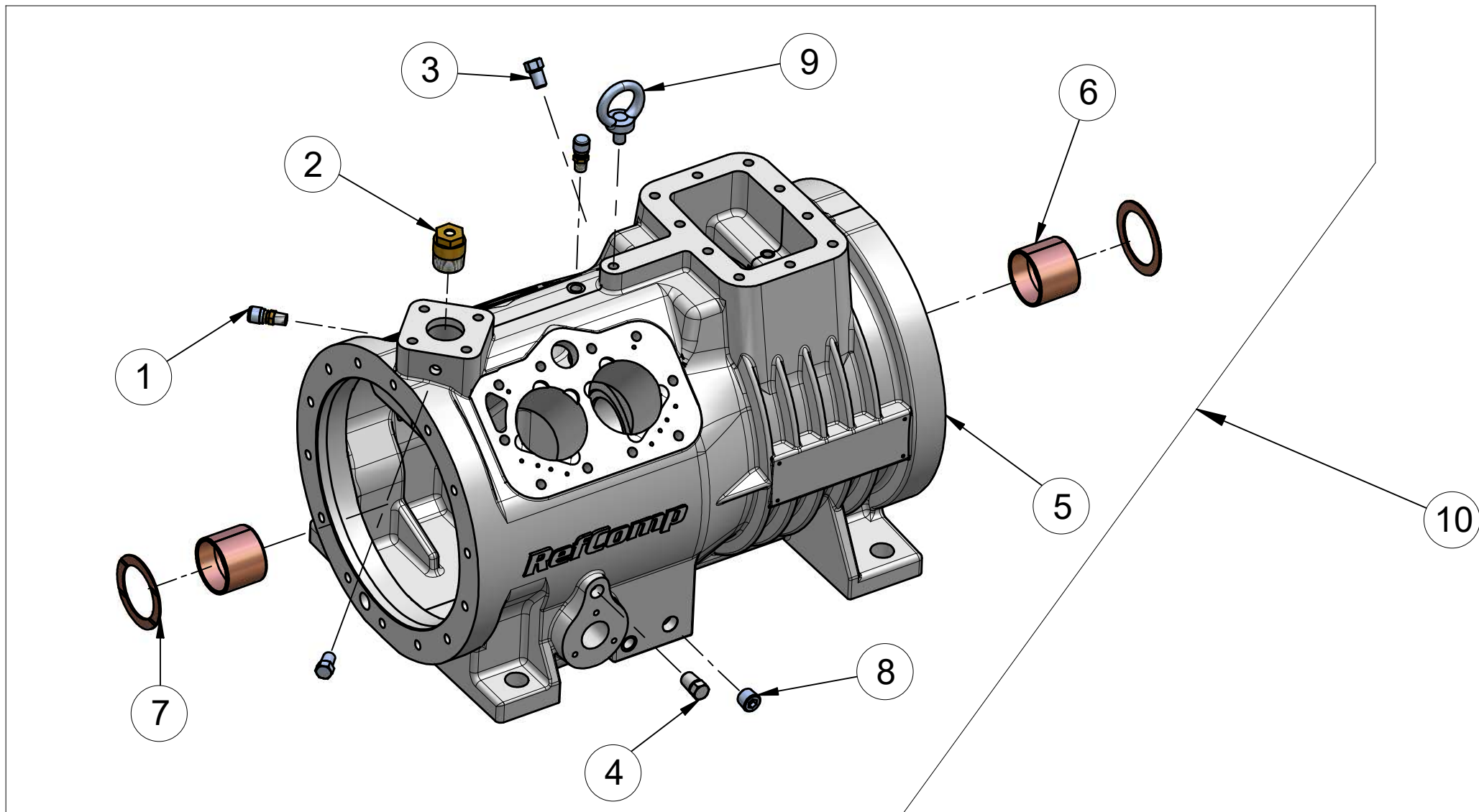


**Crankcase SP4LF0600\_0800 - HF1000\_1200**

ATTENZIONE: il presente disegno è di esclusiva proprietà REFCOMP.  
E' fatto divieto di riproduzione e di divulgazione anche parziale secondo  
quanto regolato dalle norme vigenti.

ATTENTION: the present drawing is exclusively ownership of REFCOMP.  
Is forbidden to reproduce and to disclose, even if partially, the present  
document in conformity to law regulation in force.

Pos	Code	Description	Serial number	Note	Q.ty
1	500263	Straight connection 1/8"NPT-1/4"SAE			2
2	502650	Safety valve 30bar 3/4"NPT			1
3	519143	Plug 1/8" NPT			2
4	519147	Plug 1/4" NPT			1
5	534179	Crankcase Ø55 'P4' series			1
5	534180	Crankcase Ø60 'P4' series			1
8	610250	Plug 3/8"NPT			1
9	614587	Eyebolt M10			1
10	304042	Crankcase kit Ø55 'P4' series			1
10	304043	Crankcase kit Ø60 'P4' series			1

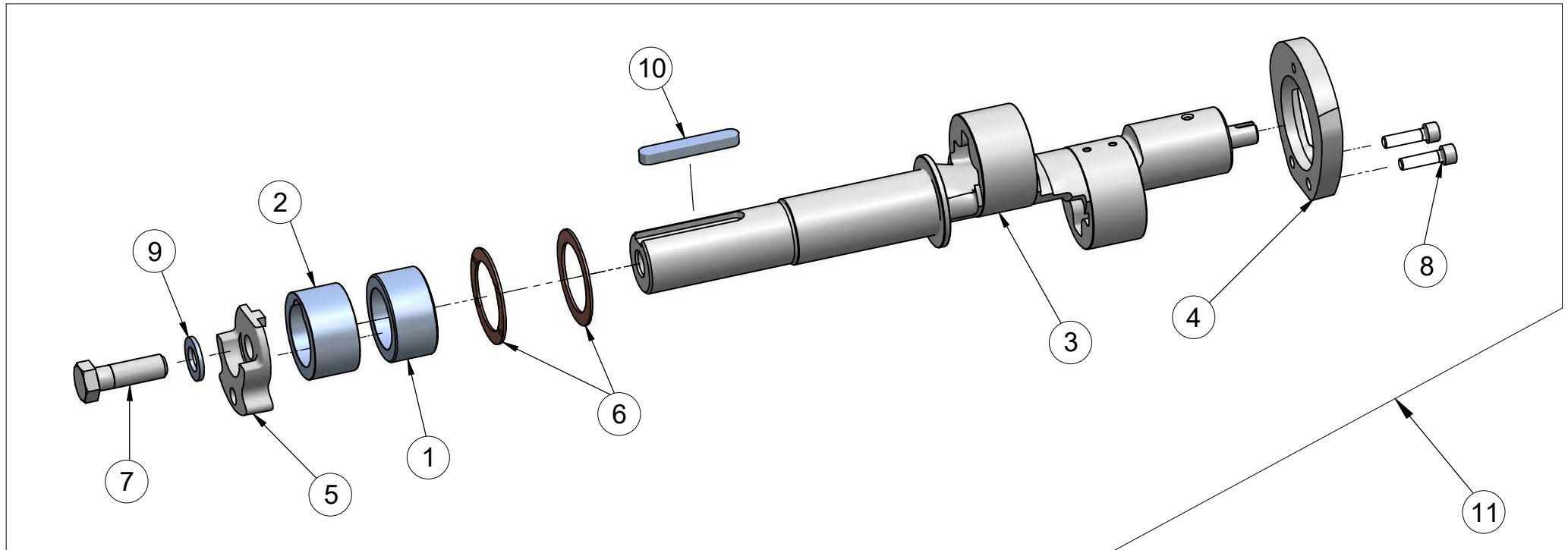


### Crankcase SP4LF1000\_1200

ATTENZIONE: il presente disegno è di esclusiva proprietà REFCOMP. E' fatto divieto di riproduzione e di divulgazione anche parziale secondo quanto regolato dalle norme vigenti.

ATTENTION: the present drawing is exclusively ownership of REFCOMP. Is forbidden to reproduce and to disclose, even if partialy, the present document in conformity to law regulation in force.

Pos	Code	Description	Serial number	Note	Q.ty
1	500263	Straight connection 1/8"NPT-1/4"SAE			2
2	502650	Safety valve 30bar 3/4"NPT			1
3	519143	Plug 1/8" NPT			2
4	519147	Plug 1/4" NPT			1
5	534181	Crankcase Ø65 'P4' series			1
5	534182	Crankcase Ø70 'P4' series			1
8	610250	Plug 3/8"NPT			1
9	614587	Eyebolt M10			1
10	304044	Crankcase kit Ø65 'P4' series			1
10	304045	Crankcase kit Ø70 'P4' series			1

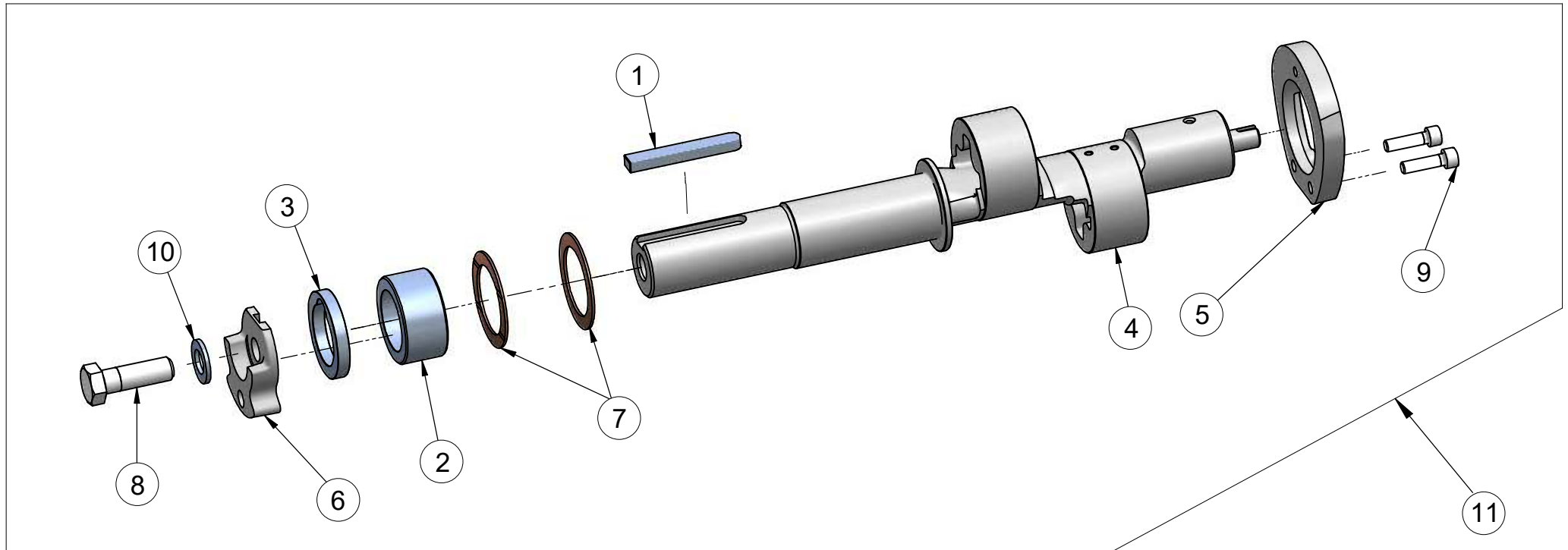


### Crankshaft SP4LF0600\_0800

ATTENZIONE: il presente disegno è di esclusiva proprietà REFCOMP.  
E' fatto divieto di riproduzione e di divulgazione anche parziale secondo  
quanto regolato dalle norme vigenti.

ATTENTION: the present drawing is exclusively ownership of REFCOMP.  
Is forbidden to reproduce and to disclose, even if partially, the present  
document in conformity to law regulation in force.

Pos	Code	Description	Serial number	Note	Q.ty
1	519616	Spacer Ø42.05xØ60x30 'P4' series			1
2	519649	Spacer Ø42.1xØ60x21.2 'P4' series			1
2	519668	Spacer Ø42.1xØ60x32 'P4' series			1
3	534169	Crankshaft Ø45x42 'P4' series			1
4	534209	Shaft countermass H=15			1
5	534234	Motor countermass H=18.5			1
7	611600	Screw M16x50		c.s./torque 60Nm	1
8	614538	Screw M8x30		c.s./torque 40Nm	2
9	614601	Plane washer Ø17xØ30x3			1
10	614603	Key 12x8x70			1
11	304046	Crankshaft kit Ø45x42 'P4F' series			1
11	304047	Crankshaft kit Ø45x42 'P4F' series			1



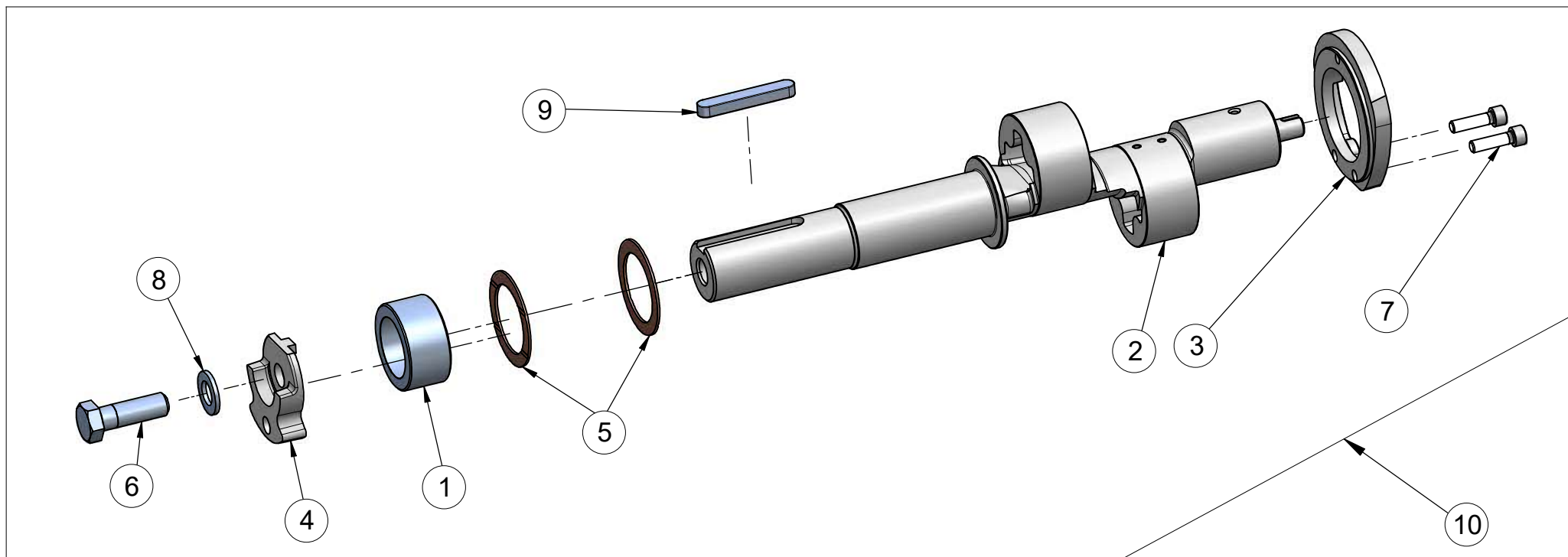
### Crankshaft SP4LF1000 - HF1000

ATTENZIONE: il presente disegno è di esclusiva proprietà REFCOMP. E' fatto divieto di riproduzione e di divulgazione anche parziale secondo quanto regolato dalle norme vigenti.

ATTENTION: the present drawing is exclusively ownership of REFCOMP. Is forbidden to reproduce and to disclose, even if partially, the present document in conformity to law regulation in force.



Pos	Code	Description	Serial number	Note	Q.ty
1	519379	Rotor key 12x8x80 'P4' series			1
2	519616	Spacer Ø42.05xØ60x30 'P4' series			1
3	519648	Spacer Ø42.1xØ60x8.5 'P4' series			1
4	534169	Crankshaft Ø45x42 'P4' series			1
5	534209	Shaft countermass H=15			1
6	534270	Motor countermass H=18.5			1
8	611600	Screw M16x50		c.s./torque 60Nm	1
9	614538	Screw M8x30		c.s./torque 40Nm	2
10	614601	Plane washer Ø17xØ30x3			1
11	304048	Crankshaft kit Ø45x42 'P4F' series			1

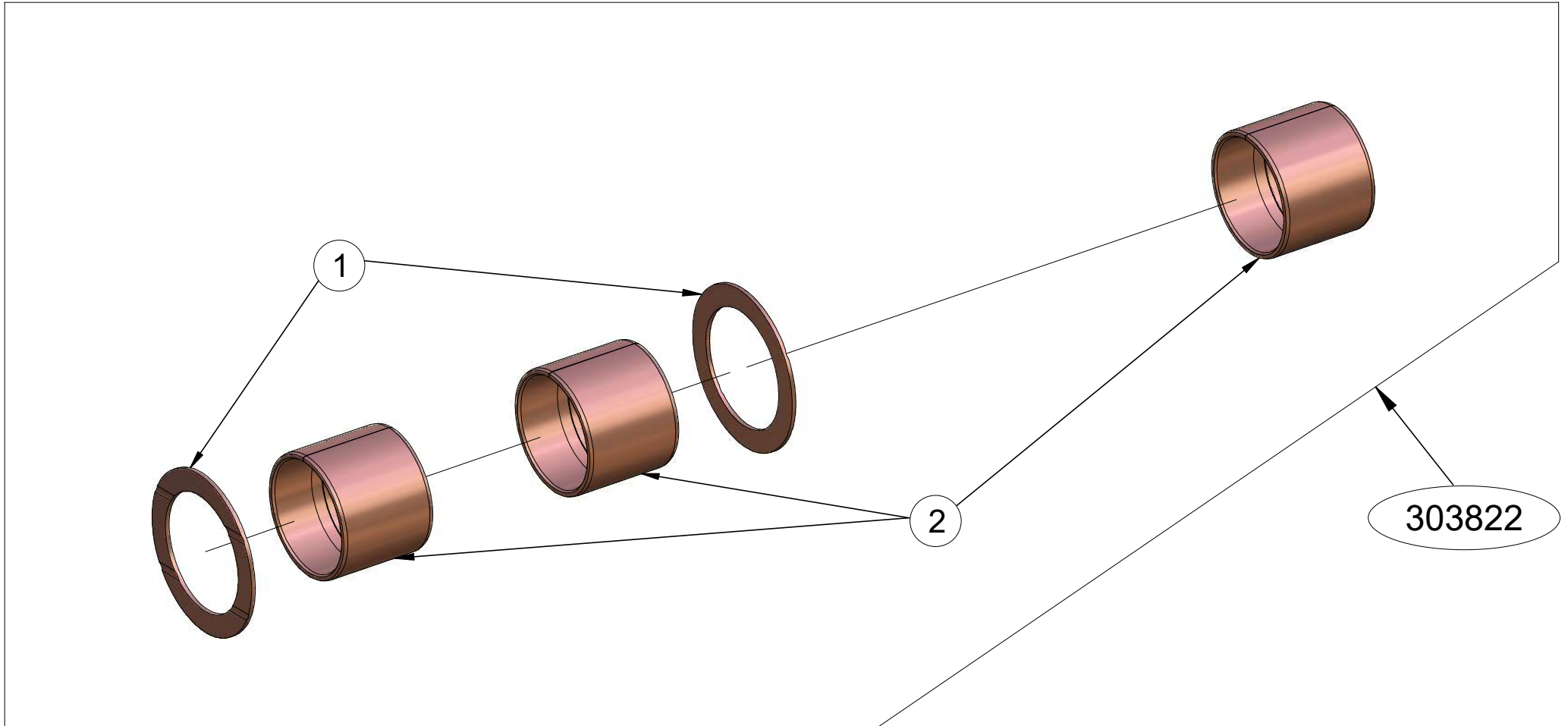


### Crankshaft SP4LF1200 - HF1200

ATTENZIONE: il presente disegno è di esclusiva proprietà REFCOMP.  
E' fatto divieto di riproduzione e di divulgazione anche parziale secondo  
quanto regolato dalle norme vigenti.

ATTENTION: the present drawing is exclusively ownership of REFCOMP.  
Is forbidden to reproduce and to disclose, even if partially, the present  
document in conformity to law regulation in force.

Pos	Code	Description	Serial number	Note	Q.ty
1	519616	Spacer Ø42.05xØ60x30 'P4' series			1
2	534169	Crankshaft Ø45x42 'P4' series			1
3	534175	Shaft countermass H=11.7			1
4	534177	Motor countermass H=17			1
6	611600	Screw M16x50		c.s./torque 60Nm	1
7	614538	Screw M8x30		c.s./torque 40Nm	2
8	614601	Plane washer Ø17xØ30x3			1
9	614603	Key 12x8x70			1
10	304049	Crankshaft kit Ø45x42 'P4F' series			1



## Brush - Thrust washer

ATTENZIONE: il presente disegno è di esclusiva proprietà REFCOMP.  
E' fatto divieto di riproduzione e di divulgazione anche parziale secondo  
quanto regolato dalle norme vigenti.

ATTENTION: the present drawing is exclusively ownership of REFCOMP.  
Is forbidden to reproduce and to disclose, even if partialy, the present  
document in conformity to law regulation in force.

RefComp Spa

36045 Lonigo

Vicenza - Italy

Via Enrico Fermi, 6

Tel +39 0444 726726

Fax +39 0444 436386

**RefComp**

REFRIGERANT COMPRESSORS

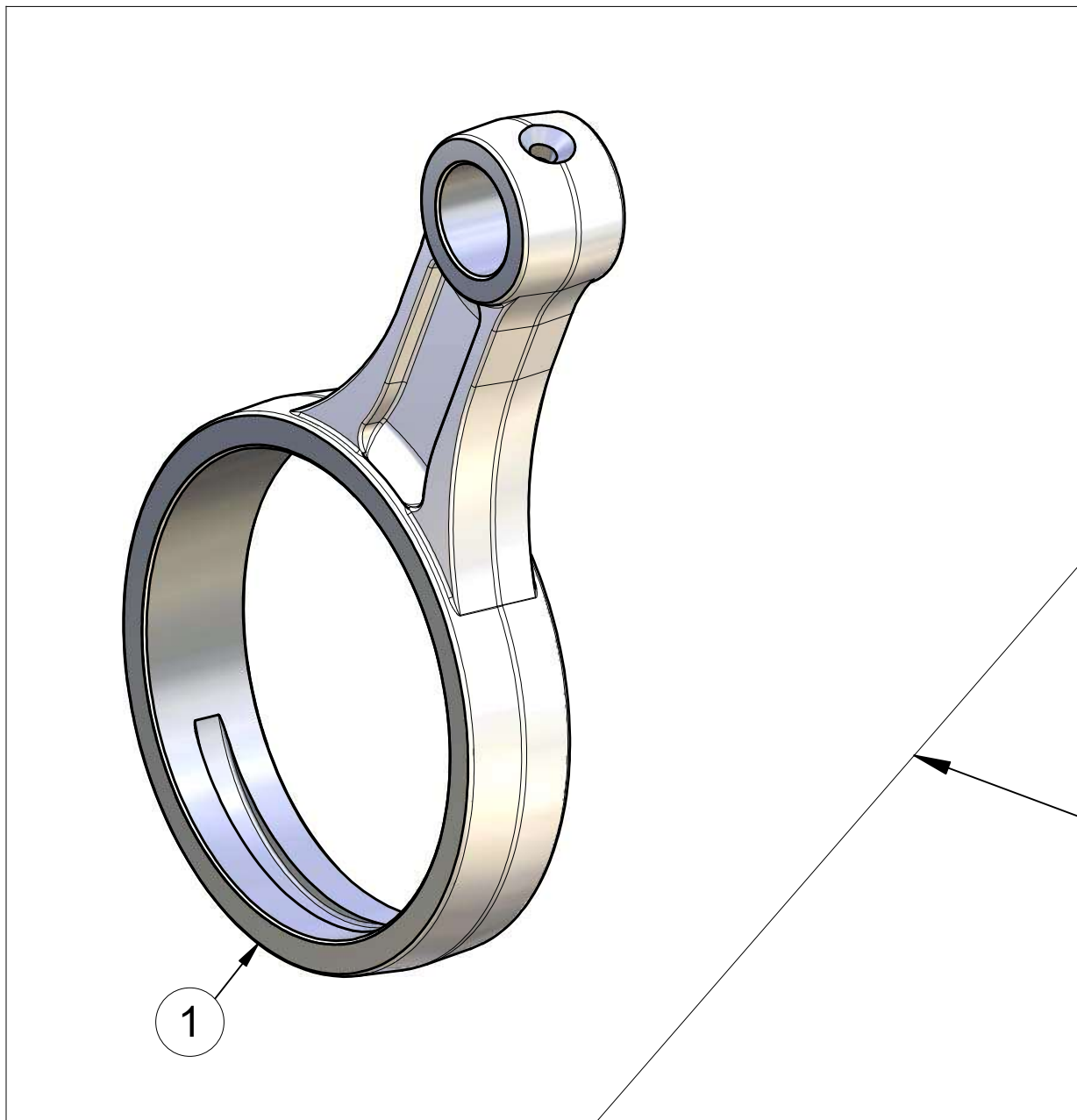
Lonigo (Vicenza) Italy

Pos	Code	Description	Serial number	Note	Q.ty
303822	303822	Bushing thrust washer kit 'P4' series			1
2	550454	Bushing Ø45xØ50x40			3
1	550455	Thrust washer Ø48x66x1.7			2

**Brush - Thrust washer**

[www.refcomp.it](http://www.refcomp.it)  
[spareparts@refcomp.it](mailto:spareparts@refcomp.it)

Model: SP4LF0600 > 1200 - SP4HF1000\_1200



1

303823

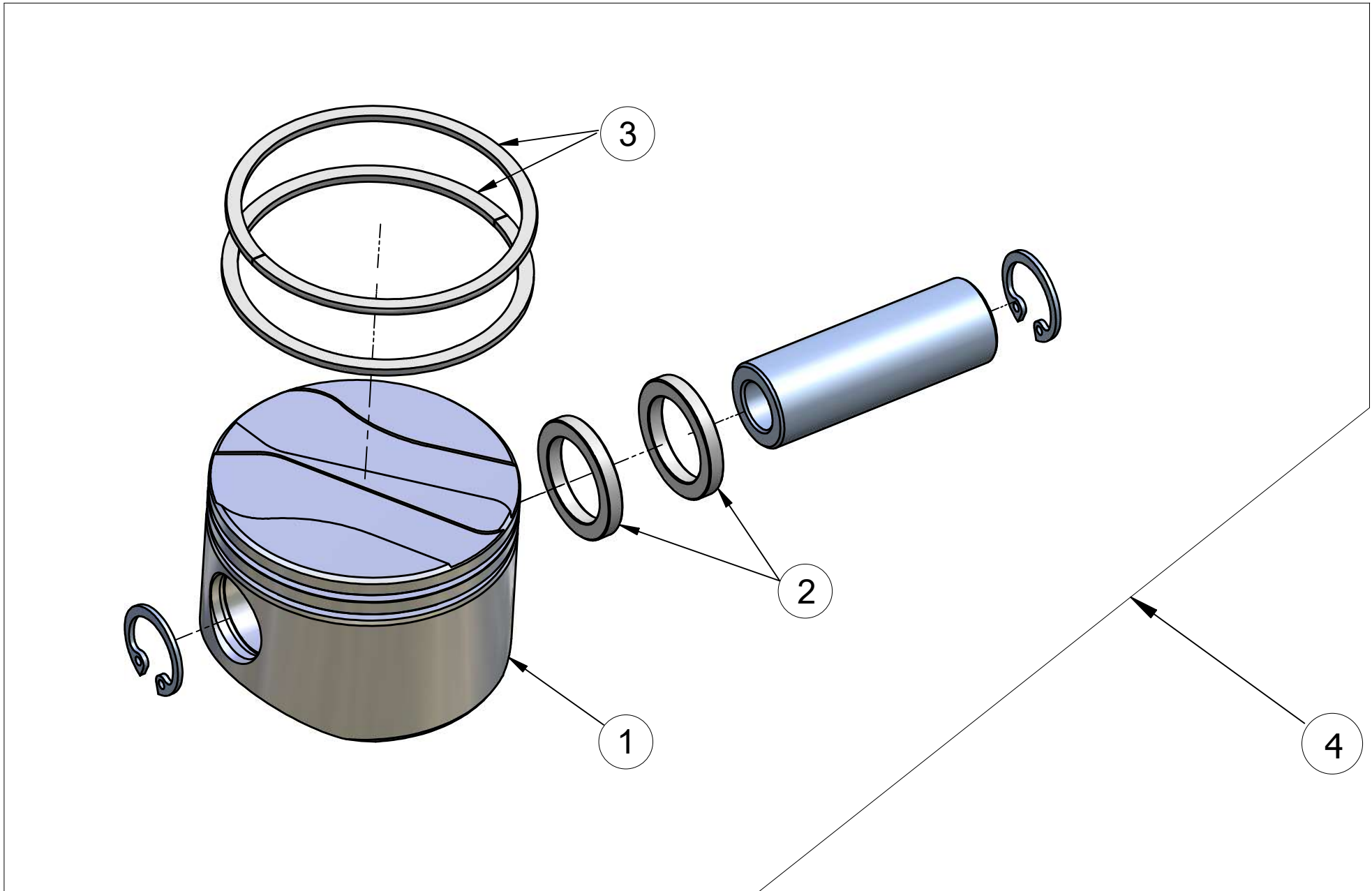
**Connecting rod**

ATTENZIONE: il presente disegno è di esclusiva proprietà REFCOMP. E' fatto divieto di riproduzione e di divulgazione anche parziale secondo quanto regolato dalle norme vigenti.

ATTENTION: the present drawing is exclusively ownership of REFCOMP. Is forbidden to reproduce and to disclose, even if partially, the present document in conformity to law regulation in force.

Pos	Code	Description	Serial number	Note	Q.ty
303823	303823	Connecting rod kit Ø70x90 'P2/4' series			4
1	520673	Connecting rod Ø70x90 'P2/4' series			1

**Connecting rod**



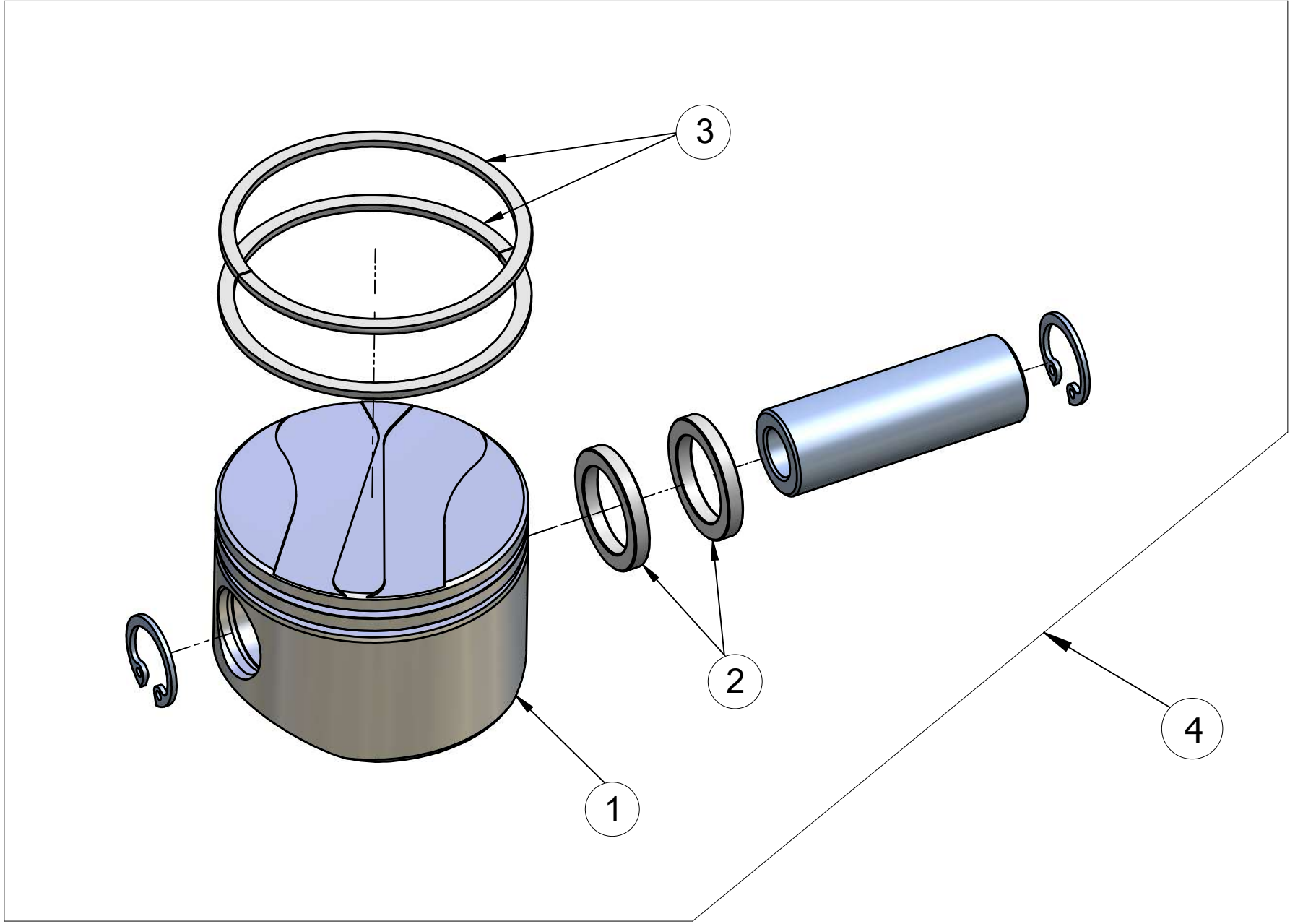
**Right piston**

ATTENZIONE: il presente disegno è di esclusiva proprietà REFCOMP. E' fatto divieto di riproduzione e di divulgazione anche parziale secondo quanto regolato dalle norme vigenti.

ATTENTION: the present drawing is exclusively ownership of REFCOMP. Is forbidden to reproduce and to disclose, even if partialy, the present document in conformity to law regulation in force.



Pos	Code	Description	Serial number	Note	Q.ty
2	592822	Spacer Ø16.15xØ22.5x2.7			2
1	503290	Right piston Ø55 'P2/4' series			1
1	503292	Right piston Ø60 'P2/4' series			1
1	503294	Right piston Ø65 'P2/4' series			1
1	503296	Right piston Ø70 'P2/4' series			1
4	303824	Right piston kit Ø55 'P2/4' series			2
4	303826	Right piston kit Ø60 'P2/4' series			2
4	303828	Right piston kit Ø65 'P2/4' series			2
4	303831	Right piston kit Ø70 'P2/4' series			2

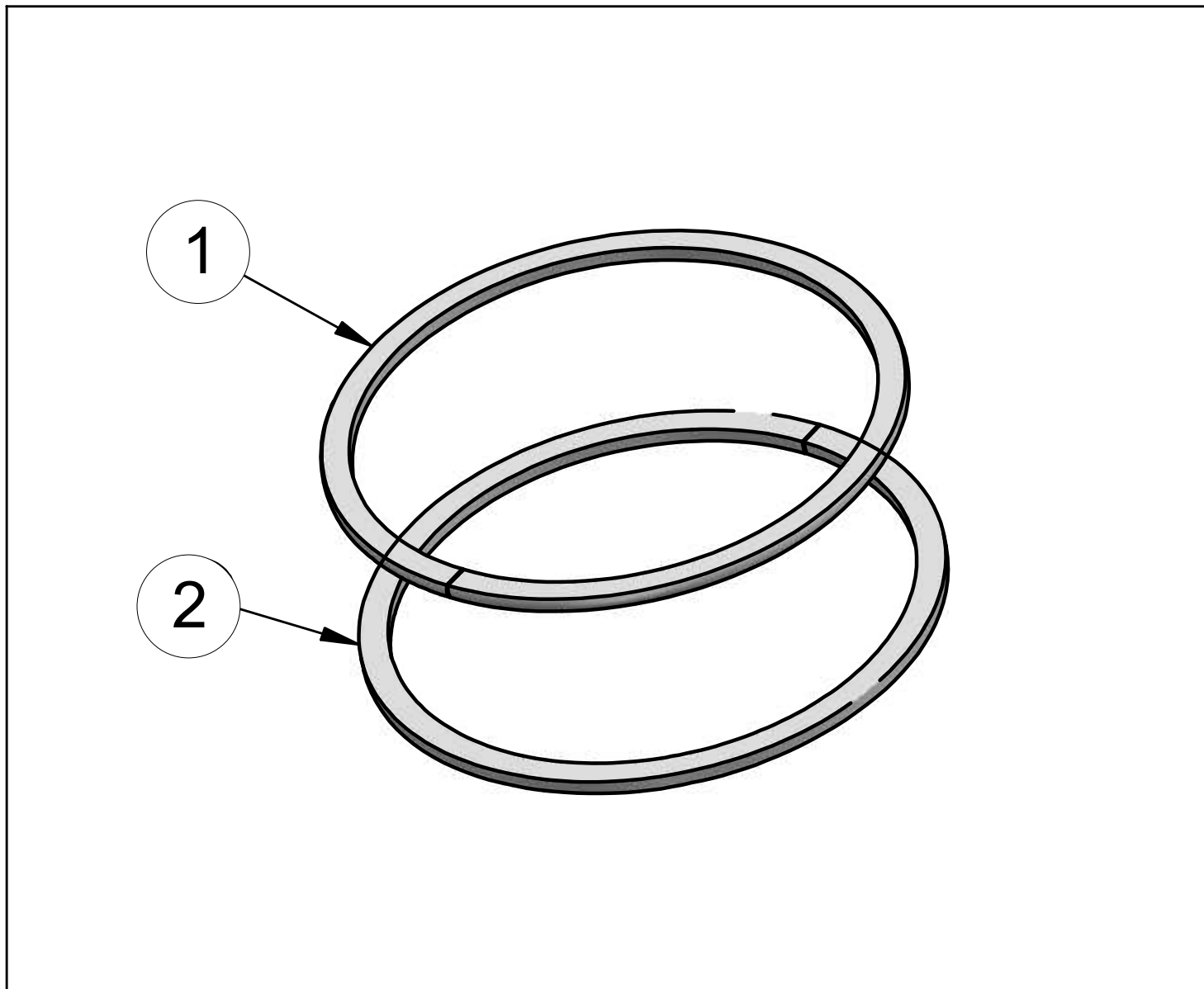


**Left piston**

ATTENZIONE: il presente disegno è di esclusiva proprietà REFCOMP. E' fatto divieto di riproduzione e di divulgazione anche parziale secondo quanto regolato dalle norme vigenti.

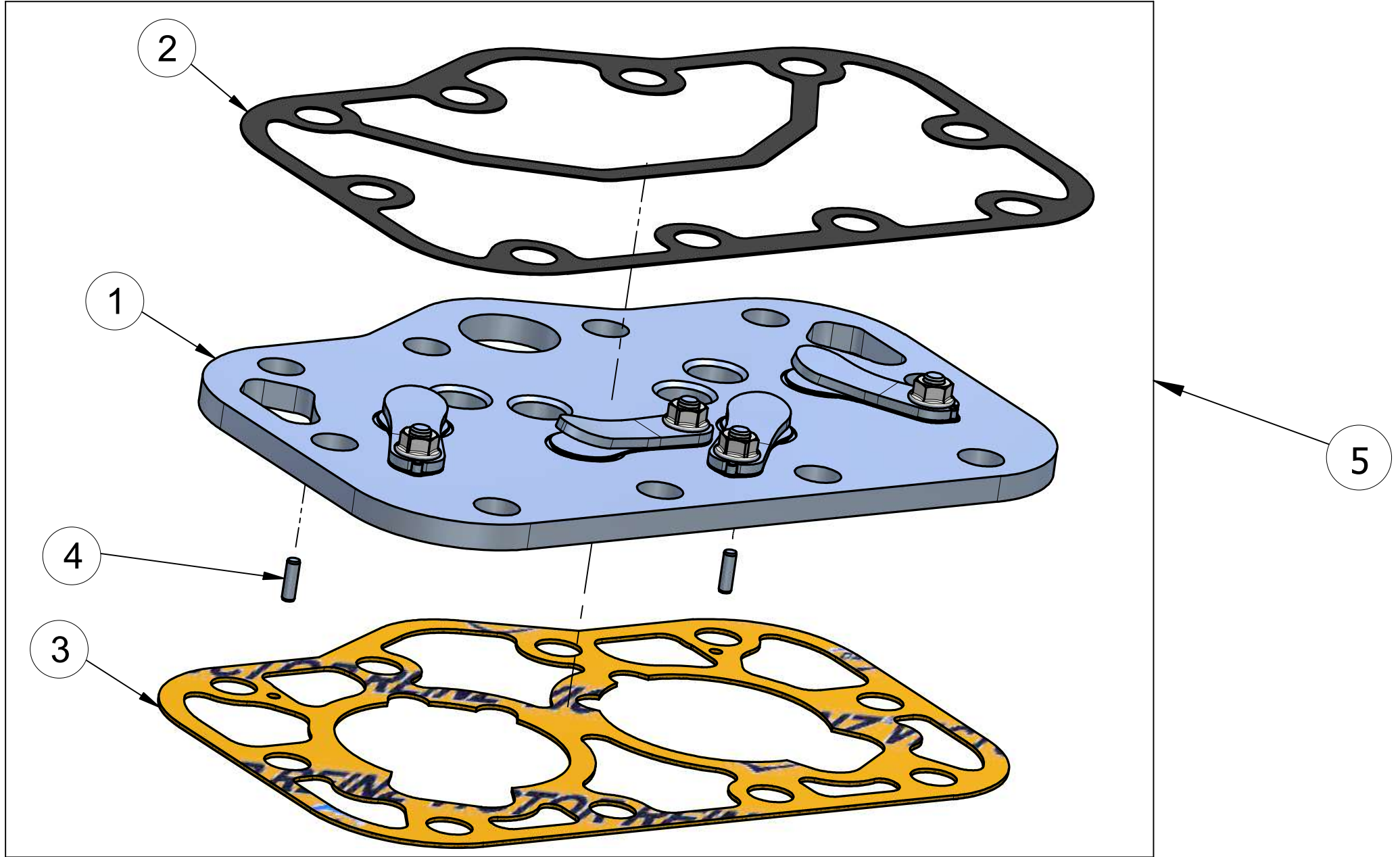
ATTENTION: the present drawing is exclusively ownership of REFCOMP. Is forbidden to reproduce and to disclose, even if partialy, the present document in conformity to law regulation in force.

Pos	Code	Description	Serial number	Note	Q.ty
2	592822	Spacer Ø16.15xØ22.5x2.7			2
1	503291	Left piston Ø55 'P2/4' series			1
1	503293	Left piston Ø60 'P2/4' series			1
1	503295	Left piston Ø65 'P2/4' series			1
1	503297	Left piston Ø70 'P2/4' series			1
4	303825	Left piston kit Ø55 'P2/4' series			2
4	303827	Left piston kit Ø60 'P2/4' series			2
4	303829	Left piston kit Ø65 'P2/4' series			2
4	303832	Left piston kit Ø70 'P2/4' series			2



**Compression ring**

Pos	Code	Description	Serial number	Note	Q.ty
3	303209	Compression ring piston kit Ø65x1.5 'P/SB' series			4
3	303210	Compression ring piston kit Ø70x1.5 'P/SB' series			4
3	303453	Compression ring piston kit Ø60x1.5 'P/SB' series			4
3	303833	Compression ring piston kit Ø55x1.5 'P2/4' series			4
1	533838	Chrome compression ring Ø60x1.5 'P/SB' series			1
2	533839	Lower compression ring Ø60x1.5 'P/SB' series			1
1	533840	Chrome compression ring Ø65x1.5 'P/SB' series			1
2	533841	Lower compression ring Ø65x1.5 'P/SB' series			1
1	533842	Chrome compression ring Ø65x1.5 'P/SB' series			1
2	533843	Lower compression ring Ø65x1.5 'P/SB' series			1
1	534197	Chrome compression ring Ø55x1.5			1
2	534198	Lower compression ring Ø55x1.5			1

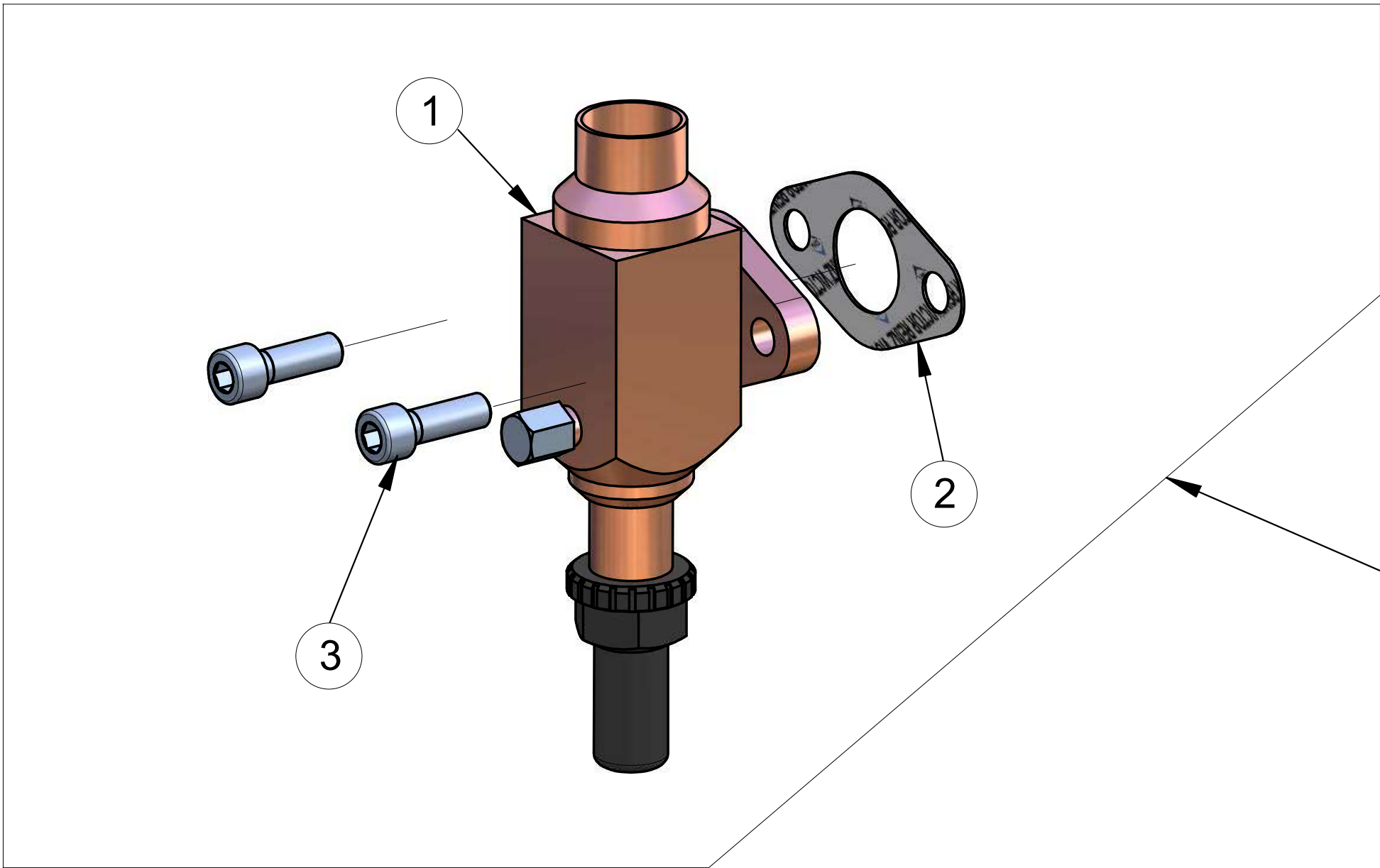


**Suction-discharge valve plate**

ATTENZIONE: il presente disegno è di esclusiva proprietà REFCOMP. E' fatto divieto di riproduzione e di divulgazione anche parziale secondo quanto regolato dalle norme vigenti.

ATTENTION: the present drawing is exclusively ownership of REFCOMP. Is forbidden to reproduce and to disclose, even if partially, the present document in conformity to law regulation in force.

Pos	Code	Description	Serial number	Note	Q.ty
2	592813	Metal gasket standard cylinderhead 'SP2/4' series			1
4	611920	Cylindrical pin Ø3x10			2
5	303835	Valve plate kit Ø55 'P4' series			2
1	503303	Suction/discharge plate Ø55 'P4' series			1
3	592814	Valve plate gasket Ø55			1
5	303836	Valve plate kit Ø60 'P4' series			2
1	503304	Suction/discharge plate Ø60 'P4' series			1
3	592815	Valve plate gasket Ø60			1
5	303837	Valve plate kit Ø65 'P4' series			2
1	503305	Suction/discharge plate Ø65 'P4' series			1
3	592816	Valve plate gasket Ø65			1
5	303838	Valve plate kit Ø70 'P4' series			2
1	503306	Suction/discharge plate Ø70 'P4' series			1
3	592817	Valve plate gasket Ø70			1



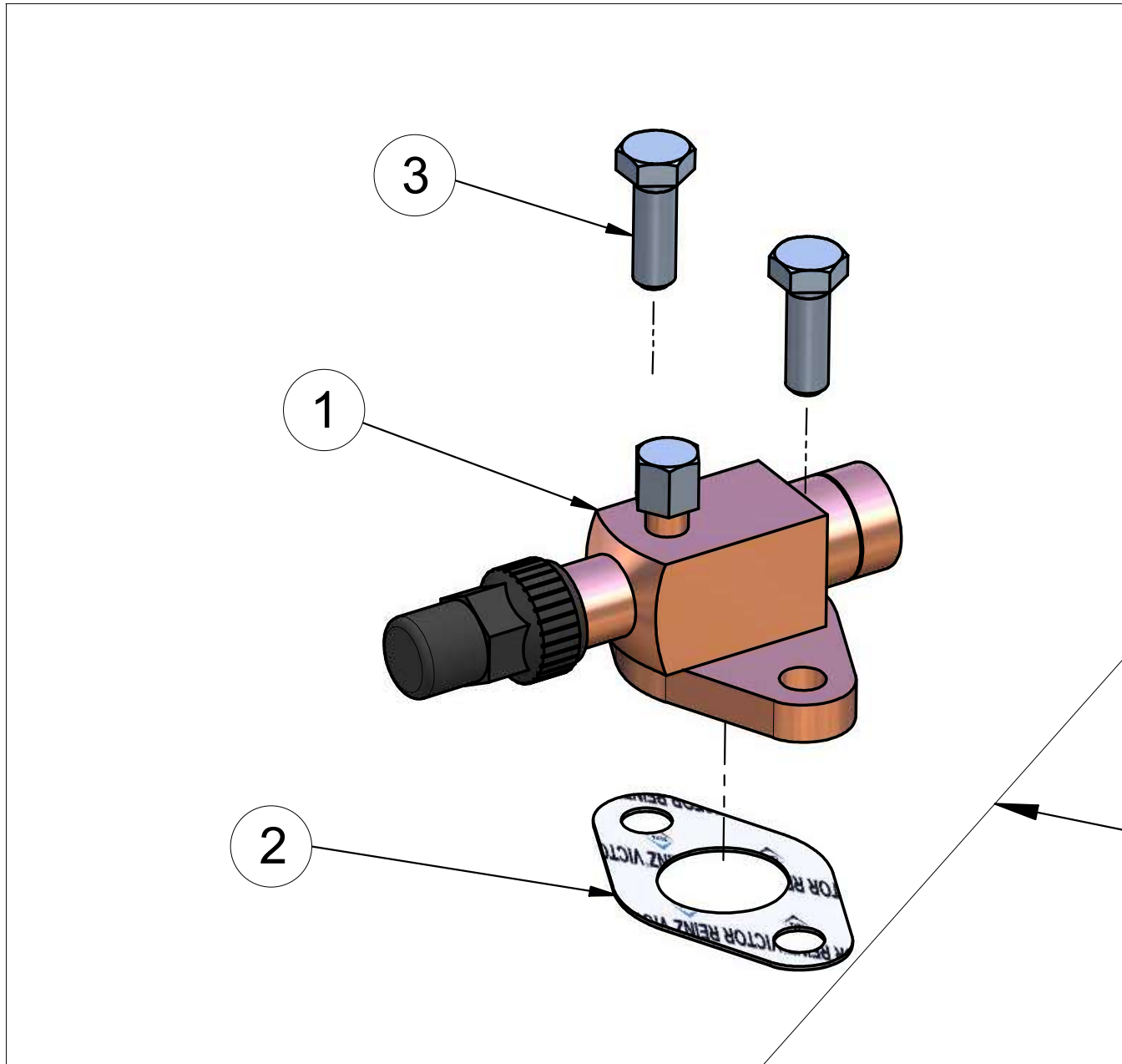
### Suction shut-off valve

ATTENZIONE: il presente disegno è di esclusiva proprietà REFCOMP. E' fatto divieto di riproduzione e di divulgazione anche parziale secondo quanto regolato dalle norme vigenti.

ATTENTION: the present drawing is exclusively ownership of REFCOMP. Is forbidden to reproduce and to disclose, even if partially, the present document in conformity to law regulation in force.



Pos	Code	Description	Serial number	Note	Q.ty
4	303839	Shut-off valve kit I=66 Ø28 'P4' series			1
4	303841	Shut-off valve kit I=66 Ø35 'P4' series			1
1	503327	Shut-off valve I=66			1
1	503328	Shut-off valve I=66			1
2	592540	Oval flange gasket I=66			1
3	613900	Galvanized screw M10x30		c.s./torque 70Nm	2



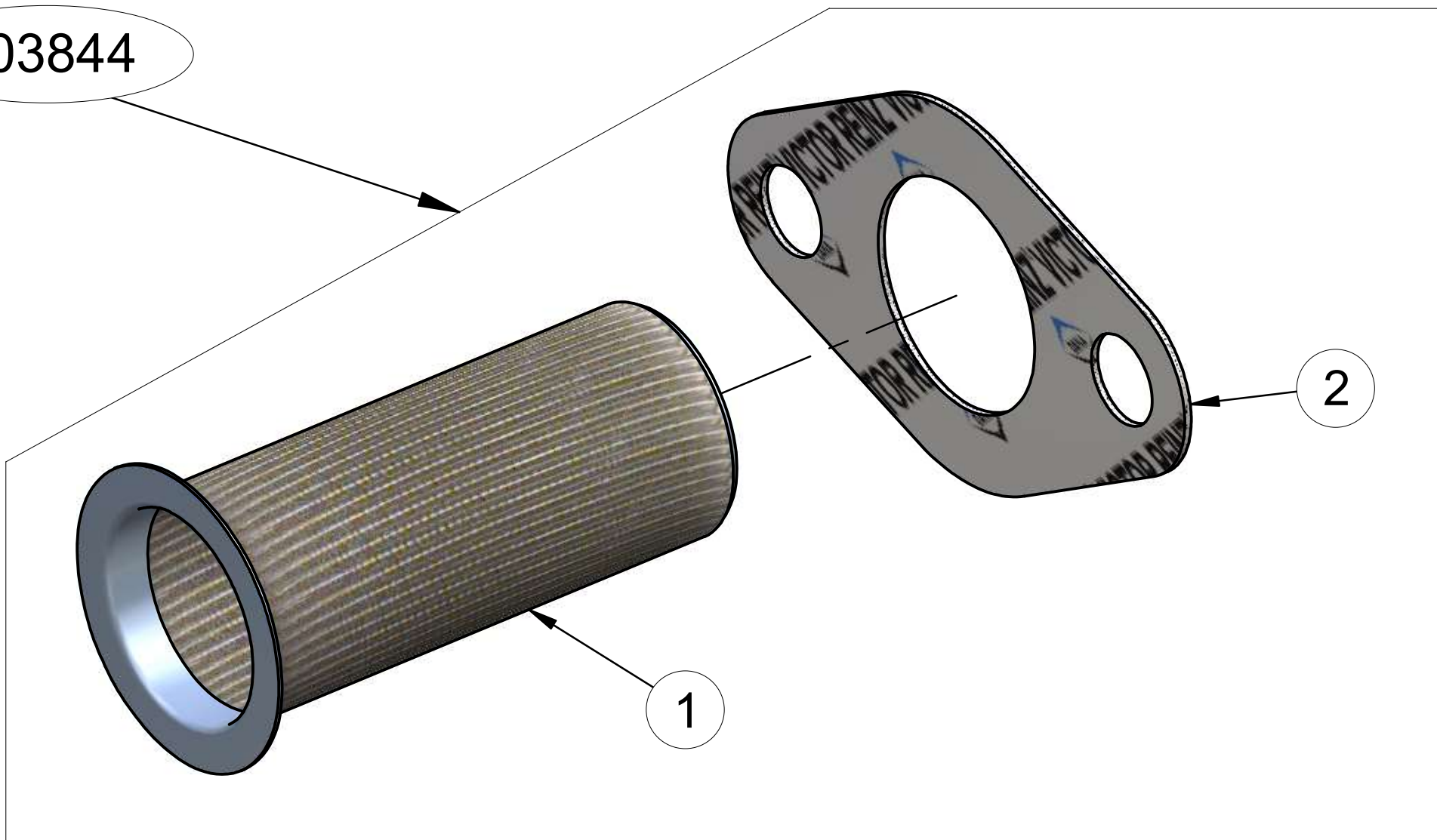
### Discharge shut-off valve

ATTENZIONE: il presente disegno è di esclusiva proprietà REFCOMP. E' fatto divieto di riproduzione e di divulgazione anche parziale secondo quanto regolato dalle norme vigenti.

ATTENTION: the present drawing is exclusively ownership of REFCOMP. Is forbidden to reproduce and to disclose, even if partialy, the present document in conformity to law regulation in force.

Pos	Code	Description	Serial number	Note	Q.ty
4	303842	Shut-off valve kit I=66 Ø22 'P4' series			1
4	303843	Shut-off valve kit I=66 Ø28 'P4' series			1
1	503325	Shut-off valve I=66			1
1	503326	Shut-off valve I=66			1
2	592540	Oval flange gasket I=66			1
3	612850	Galvanized screw M10x30		c.s./torque 70Nm	2

303844



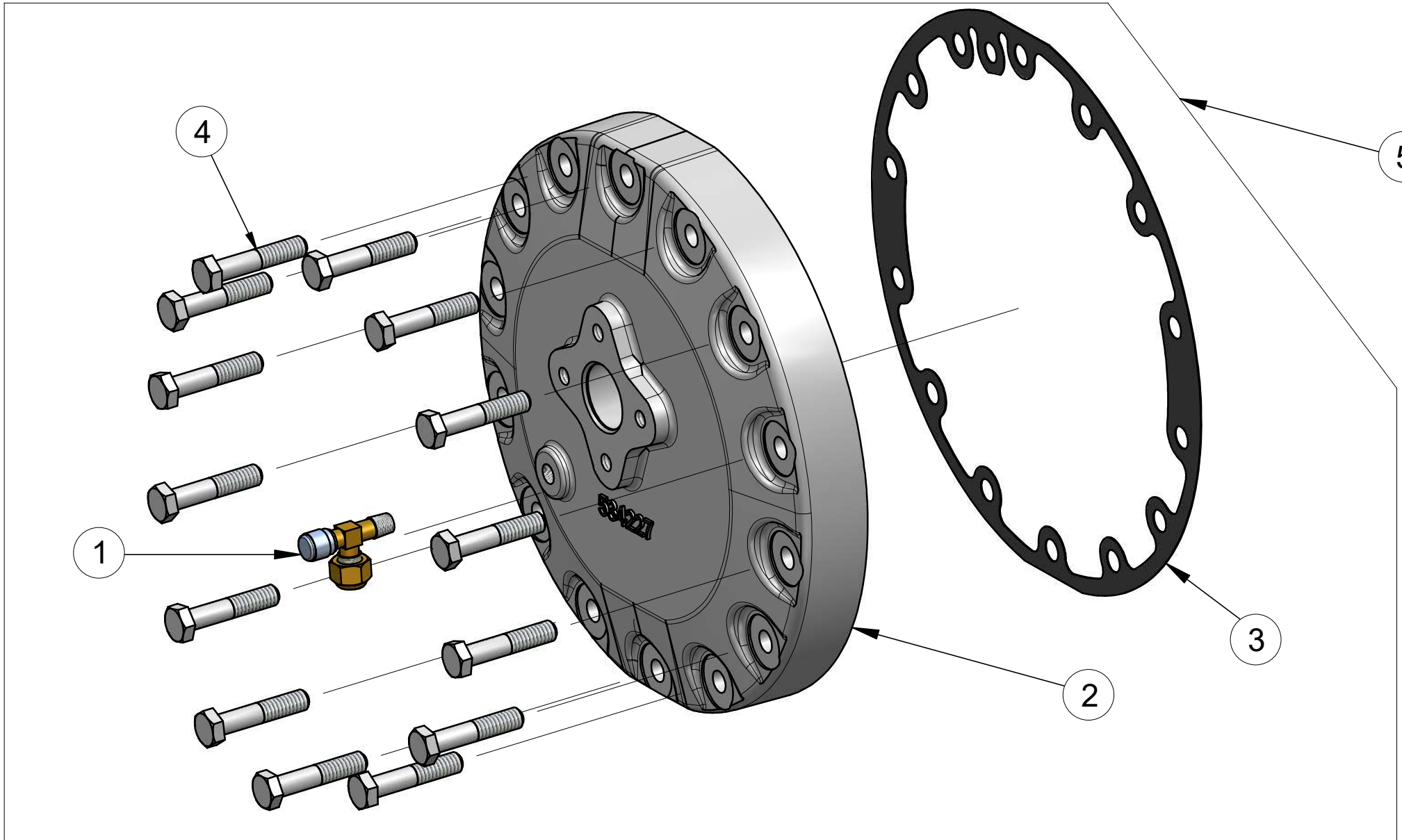
### Suction strainer

ATTENZIONE: il presente disegno è di esclusiva proprietà REFCOMP.  
E' fatto divieto di riproduzione e di divulgazione anche parziale secondo  
quanto regolato dalle norme vigenti.

ATTENTION: the present drawing is exclusively ownership of REFCOMP.  
Is forbidden to reproduce and to disclose, even if partially, the present  
document in conformity to law regulation in force.

Pos	Code	Description	Serial number	Note	Q.ty
1	503323	Suction filter Ø40x75 'P4' series			1
2	592540	Oval flange gasket l=66			1
#	303844	Suction filter kit 'P4' series			1

**Suction strainer**



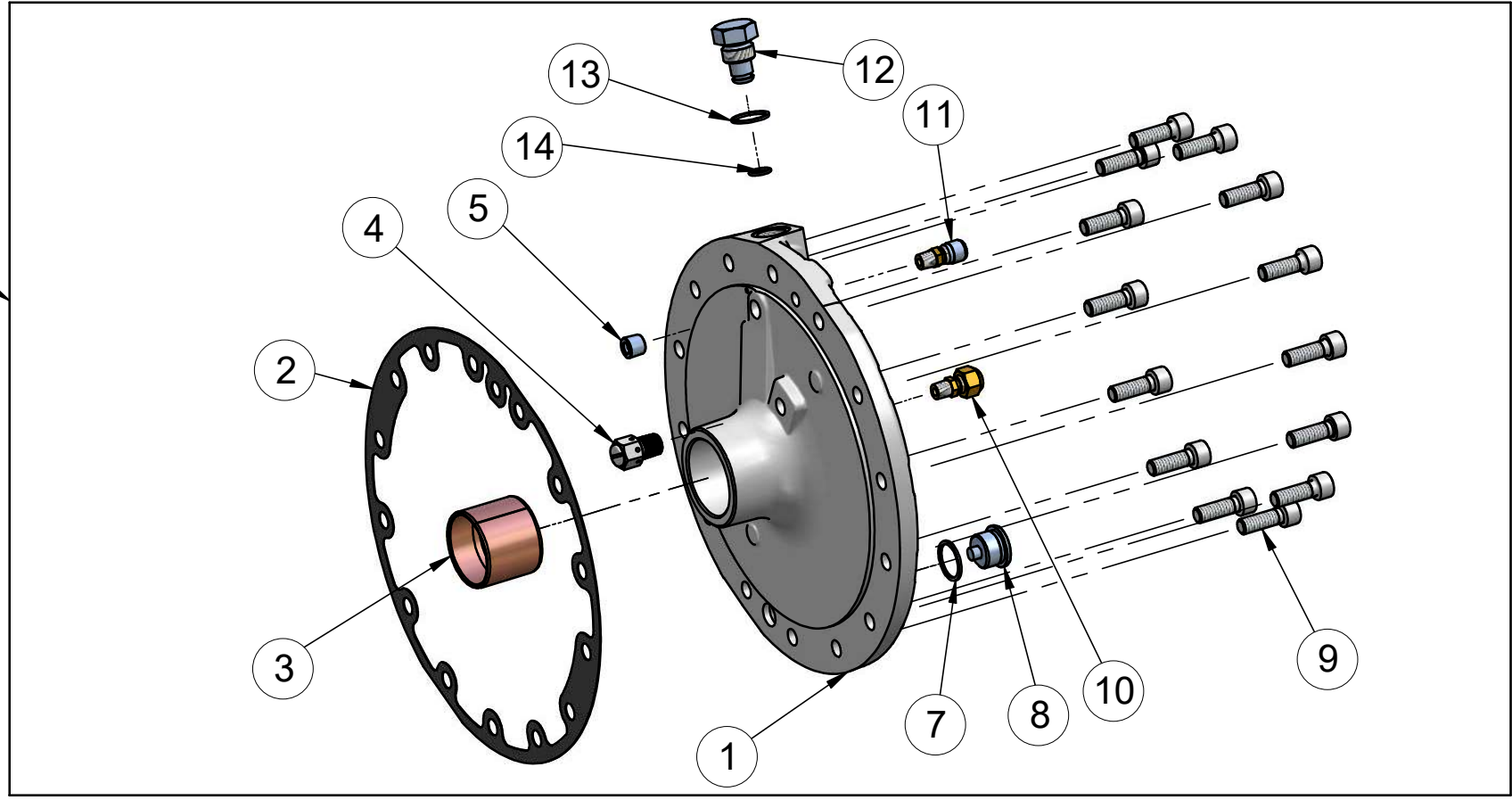
### Suction cover

ATTENZIONE: il presente disegno è di esclusiva proprietà REFCOMP. E' fatto divieto di riproduzione e di divulgazione anche parziale secondo quanto regolato dalle norme vigenti.

ATTENTION: the present drawing is exclusively ownership of REFCOMP. Is forbidden to reproduce and to disclose, even if partially, the present document in conformity to law regulation in force.

Pos	Code	Description	Serial number	Note	Q.ty
5	303976	Suction cover kit H=35 'P4' series			1
1	500261	Tee-piece union 1/8"NPT-1/4"-1/4"SAE			1
2	534228	Suction cover H=35 'P4' series			1
3	592810	Suction cover gasket			1
4	612170	Galvanized screw M10x50		c.s./torque 70Nm	14

303848



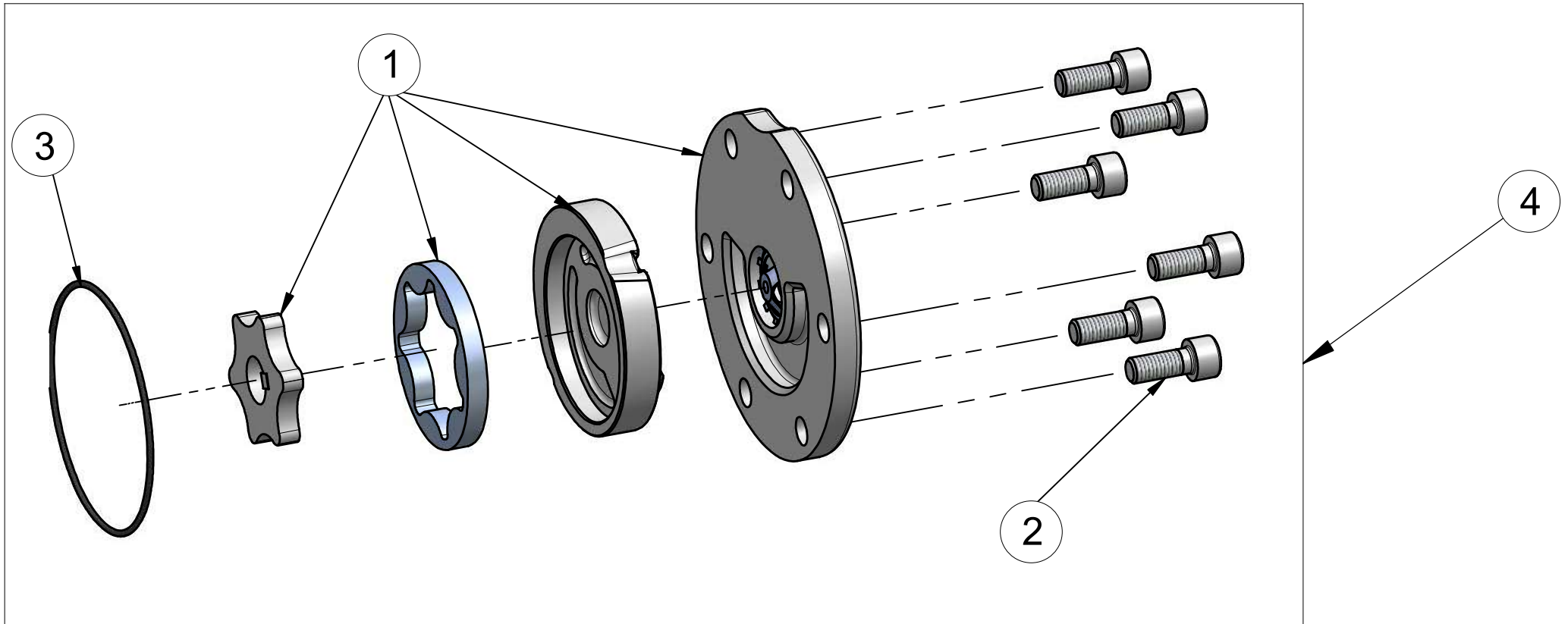
### Oil pump support

ATTENZIONE: il presente disegno è di esclusiva proprietà REFCOMP. E' fatto divieto di riproduzione e di divulgazione anche parziale secondo quanto regolato dalle norme vigenti.

ATTENTION: the present drawing is exclusively ownership of REFCOMP. Is forbidden to reproduce and to disclose, even if partially, the present document in conformity to law regulation in force.



Pos	Code	Description	Serial number	Note	Q.ty
10	500262	Straight connection 1/8"NPT-1/4"SAE			1
11	500263	Straight connection 1/8"NPT-1/4"SAE			1
4	503301	Oil pressure valve 2.5-2.7bar 'P4' series			1
12	518670	Differential plug of oil pump support 'SP' series			1
8	519654	Magnetic plug M22x1.5 'P4' series			1
1	534171	Oil pump cover			1
2	592810	Suction cover gasket			1
5	610050	Plug 1/4"NPT			1
9	613900	Galvanized screw M10x30		c.s./torque 70Nm	14
13	620090	Alluminium plane washer Ø20.5xØ24x1.5			1
7	620110	Alluminium plane washer Ø22xØ26x1.5			1
14	690190	O-ring OR2043			1
#	303848	Oil pump support kit 'P4' series			1

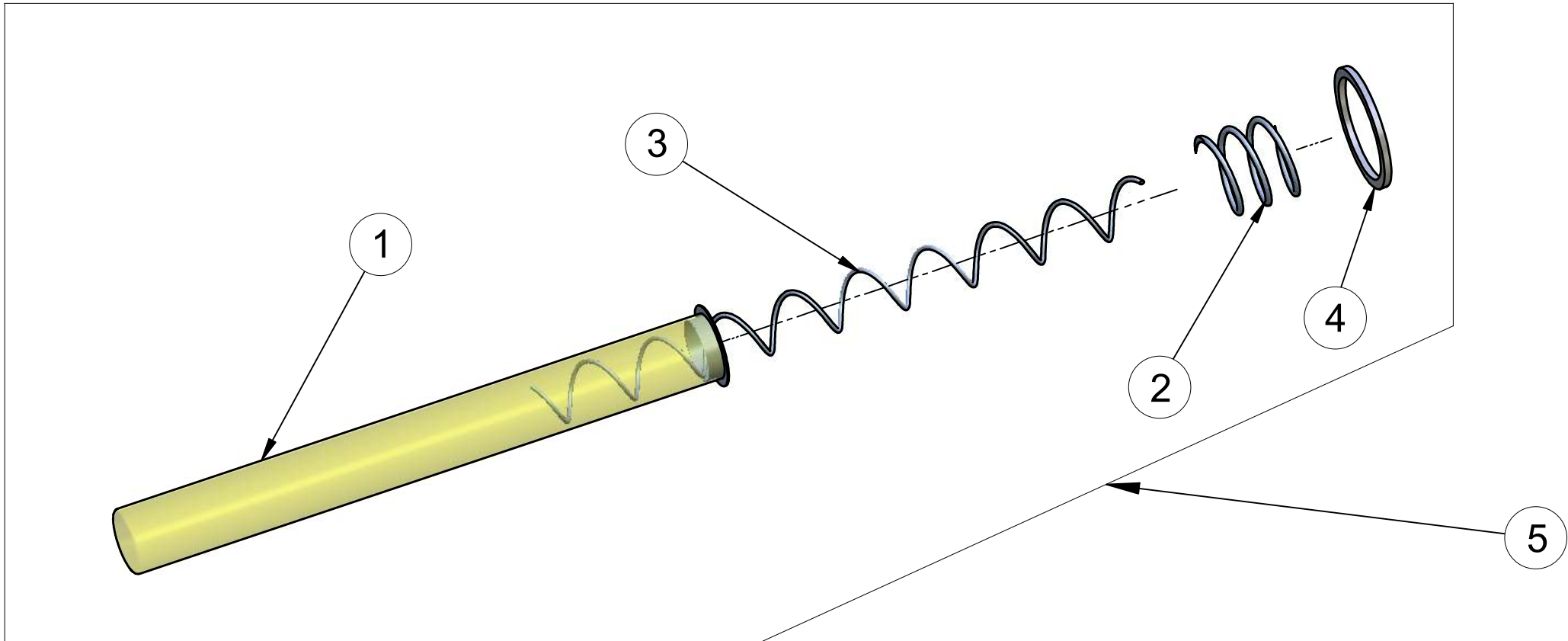


## Oil pump

ATTENZIONE: il presente disegno è di esclusiva proprietà REFCOMP. E' fatto divieto di riproduzione e di divulgazione anche parziale secondo quanto regolato dalle norme vigenti.

ATTENTION: the present drawing is exclusively ownership of REFCOMP. Is forbidden to reproduce and to disclose, even if partially, the present document in conformity to law regulation in force.

Pos	Code	Description	Serial number	Note	Q.ty
4	303846	Oil pump kit 'P4' series			1
1	503317	Oil pump with key 'P4' series			1
2	611190	Screw M8x20		c.s./torque 40Nm	6
3	691149	O-ring OR2300			1

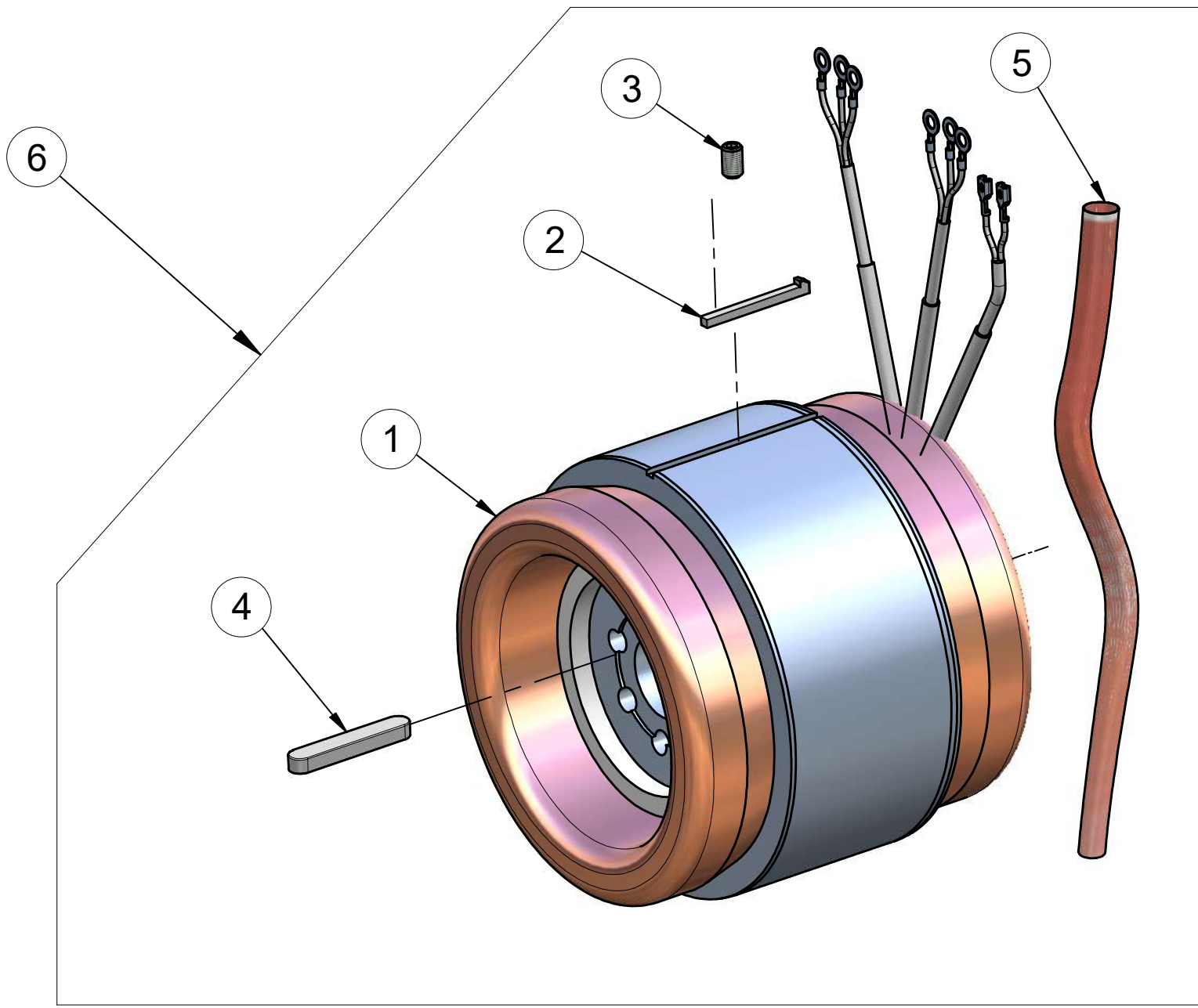


## Oil strainer

ATTENZIONE: il presente disegno è di esclusiva proprietà REFCOMP.  
E' fatto divieto di riproduzione e di divulgazione anche parziale secondo  
quanto regolato dalle norme vigenti.

ATTENTION: the present drawing is exclusively ownership of REFCOMP.  
Is forbidden to reproduce and to disclose, even if partially, the present  
document in conformity to law regulation in force.

Pos	Code	Description	Serial number	Note	Q.ty
5	303847	Oil filter kit 'P4' series			1
1	511140	Oil filter			1
3	511610	Internal spring suction oil filter			1
2	519653	Oil filter spring 'P4' series			1
4	620110	Alluminium plane washer Ø22xØ26x1.5			1

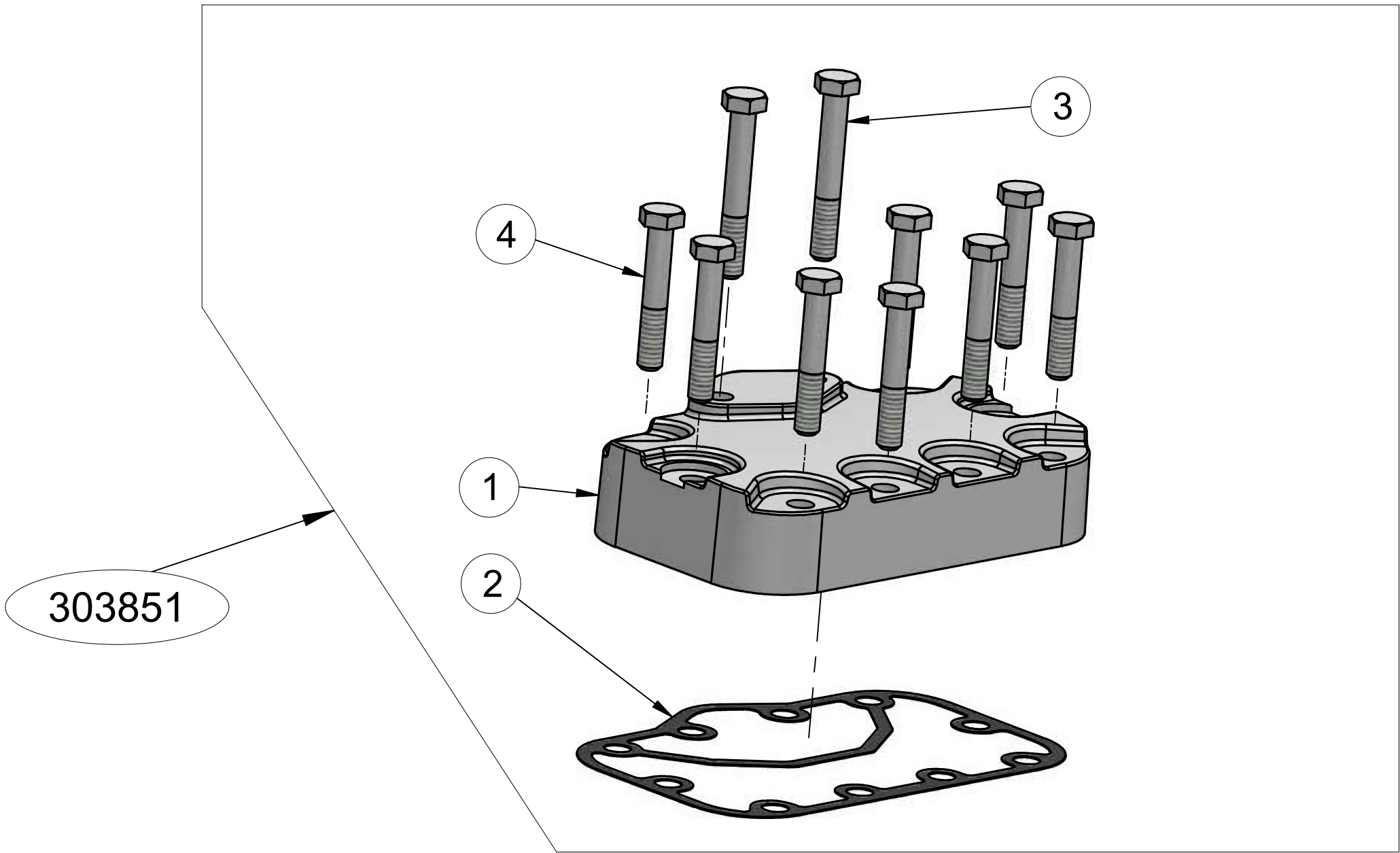


### Electrical motor

ATTENZIONE: il presente disegno è di esclusiva proprietà REFCOMP. E' fatto divieto di riproduzione e di divulgazione anche parziale secondo quanto regolato dalle norme vigenti.

ATTENTION: the present drawing is exclusively ownership of REFCOMP. Is forbidden to reproduce and to disclose, even if partially, the present document in conformity to law regulation in force.

Pos	Code	Description	Serial number	Note	Q.ty
6	304014	Electric motor kit 400V/3/50Hz PW			1
1	583931	Electric motor 400V/3/50Hz PW		For other supply voltage contact RefComp	1
1	583938	Electric motor 230V/3/50Hz Y/D		For other supply voltage contact RefComp	1
1	583942	Electric motor 400V/3/50Hz Y/D		For other supply voltage contact RefComp	1
2	614240	Nib key 5x5x55			1
3	614290	Grub screw M10x16			1
4	614603	Key 12x8x70			1
5	690240	Shrink sleeve Ø18			1
6	304024	Electric motor kit 400V/3/50Hz PW			1
4	519379	Rotor key 12x8x80 'P4' series			1
1	583975	Electric motor 400V/3/50Hz PW		For other supply voltage contact RefComp	1
1	583982	Electric motor 230V/3/50Hz Y/D		For other supply voltage contact RefComp	1
1	583986	Electric motor 400V/3/50Hz Y/D		For other supply voltage contact RefComp	1
6	304019	Electric motor kit 400V/3/50Hz PW			1
1	583953	Electric motor 400V/3/50Hz PW		For other supply voltage contact RefComp	1
1	583960	Electric motor 230V/3/50Hz Y/D		For other supply voltage contact RefComp	1
1	583964	Electric motor 400V/3/50Hz Y/D		For other supply voltage contact RefComp	1
6	304029	Electric motor kit 400V/3/50Hz PW			1
1	583472	Electric motor 400V/3/50Hz PW		For other supply voltage contact RefComp	1
1	583475	Electric motor 230V/3/50Hz Y/D		For other supply voltage contact RefComp	1
1	583481	Electric motor 400V/3/50Hz Y/D		For other supply voltage contact RefComp	1
6	304024	Electric motor kit 400V/3/50Hz PW			1
6	304029	Electric motor kit 400V/3/50Hz PW			1



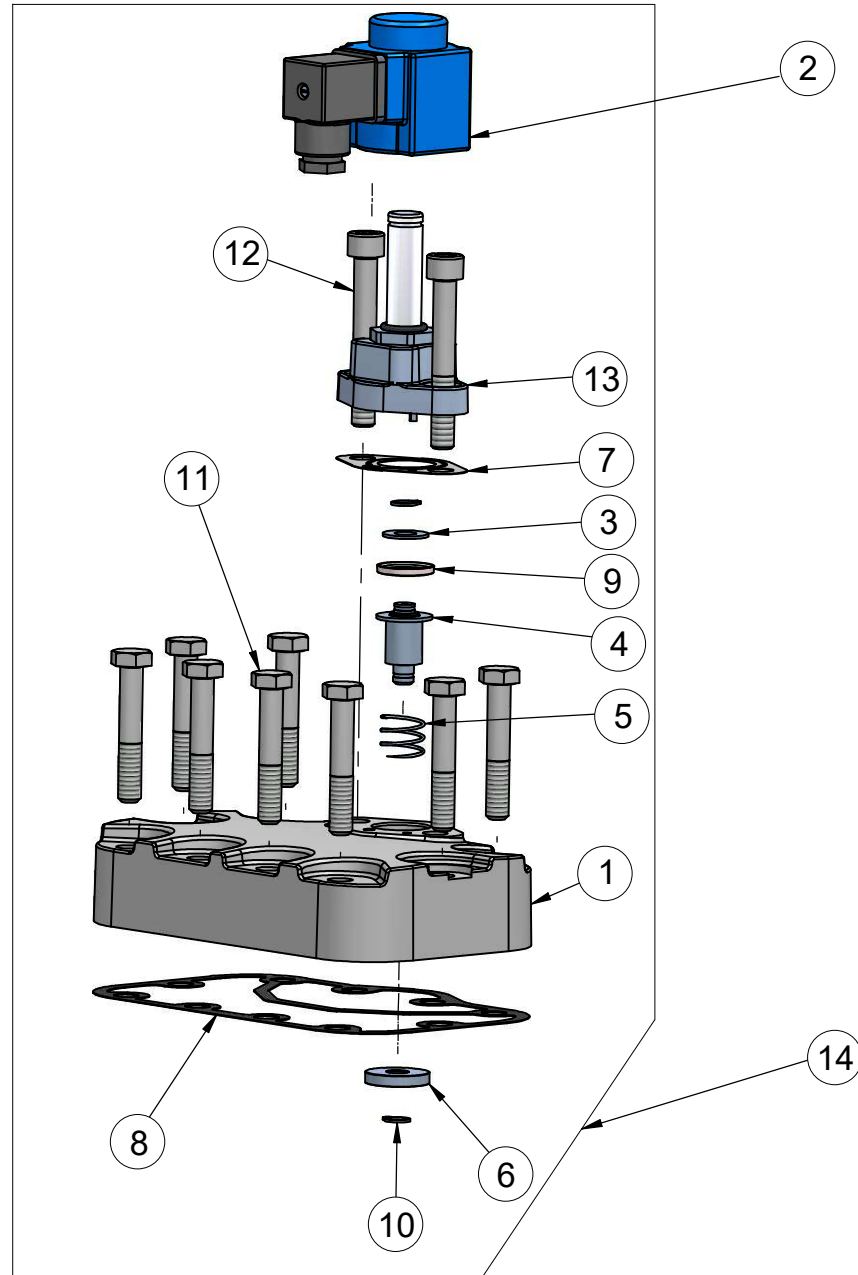
**Standard head**

ATTENZIONE: il presente disegno è di esclusiva proprietà REFCOMP. E' fatto divieto di riproduzione e di divulgazione anche parziale secondo quanto regolato dalle norme vigenti.

ATTENTION: the present drawing is exclusively ownership of REFCOMP. Is forbidden to reproduce and to disclose, even if partially, the present document in conformity to law regulation in force.



Pos	Code	Description	Serial number	Note	Q.ty
1	534184	Standard cylinderhead 'SP2/4' series			1
2	592813	Metal gasket standard cylinderhead 'SP2/4' series			1
3	611380	Screw M10x70		c.s./torque 70Nm	2
4	614607	Screw M10x60		c.s./torque 70Nm	8
#	303851	Standard cylinderhead kit 'P4' series			1

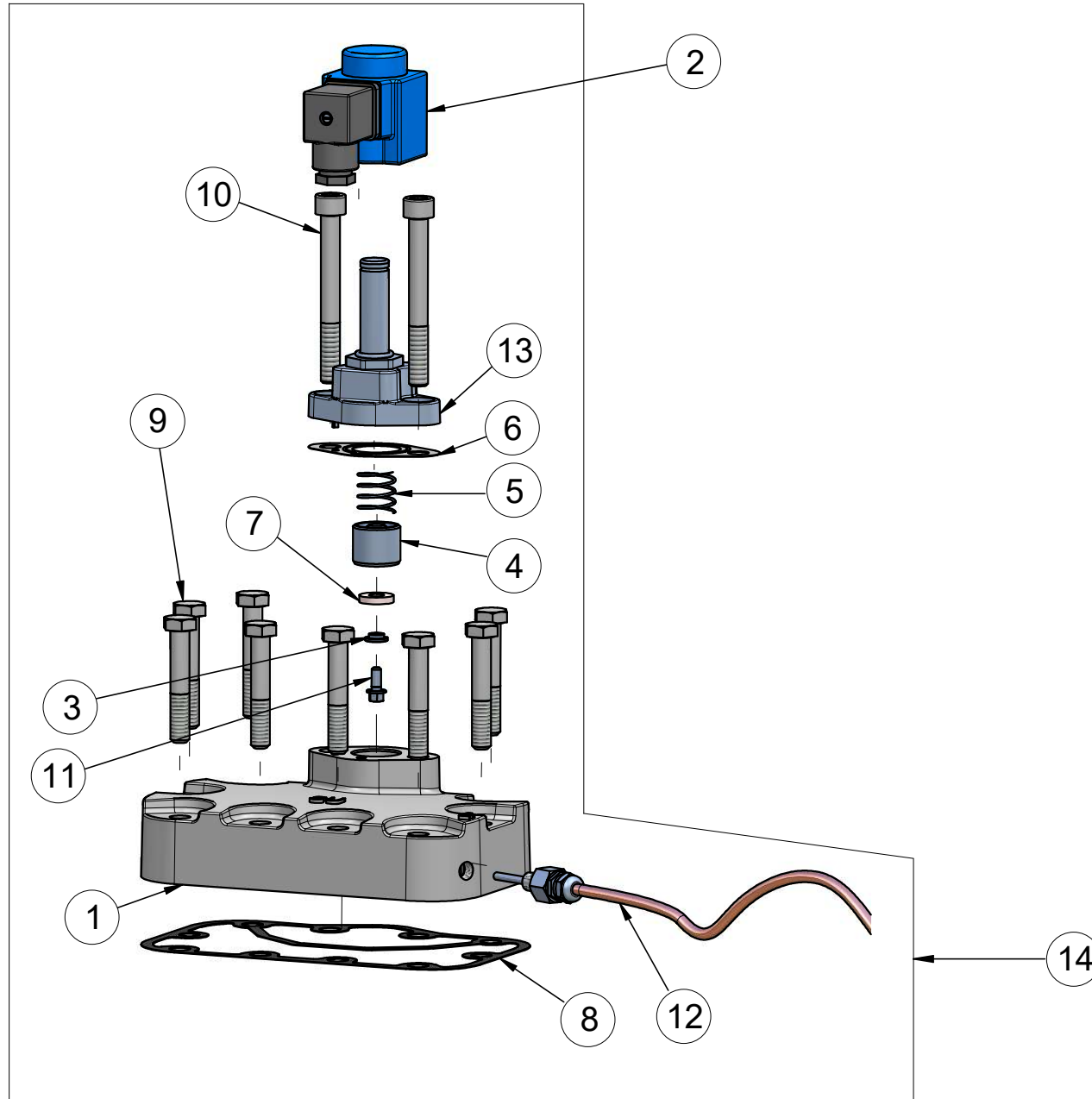


### CR Capacity control cylinderhead

ATTENZIONE: il presente disegno è di esclusiva proprietà REFCOMP. E' fatto divieto di riproduzione e di divulgazione anche parziale secondo quanto regolato dalle norme vigenti.

ATTENTION: the present drawing is exclusively ownership of REFCOMP. Is forbidden to reproduce and to disclose, even if partially, the present document in conformity to law regulation in force.

Pos	Code	Description	Serial number	Note	Q.ty
14	303810	Capacity control cylinderhead kit 230V 'CR' 'P4' series			1
14	303811	Capacity control cylinderhead kit 110V 'CR' 'P4' series			1
14	303812	Capacity control cylinderhead kit 24V 'CR' 'P4' series			1
1	503322	Unloading 'P4' series			1
3	519656	Capacity control piston stopper 'P4' series			1
4	519657	Capacity control piston 'P4' series			1
5	519658	Unloading piston spring 'P4' series			1
6	519660	Suction closing plate unloader piston 'P4' series			1
7	592811	Solenoid valve gasket I=51			1
8	592813	Metal gasket standard cylinderhead 'SP2/4' series			1
9	592821	Teflon ring unloader piston			1
10	614230	Seeger			2
11	614607	Screw M10x60		c.s./torque 70Nm	8
12	614608	Galvanized screw M10x75		c.s./torque 70Nm	2
13	760529	Solenoid valve I=51 'CR'			1

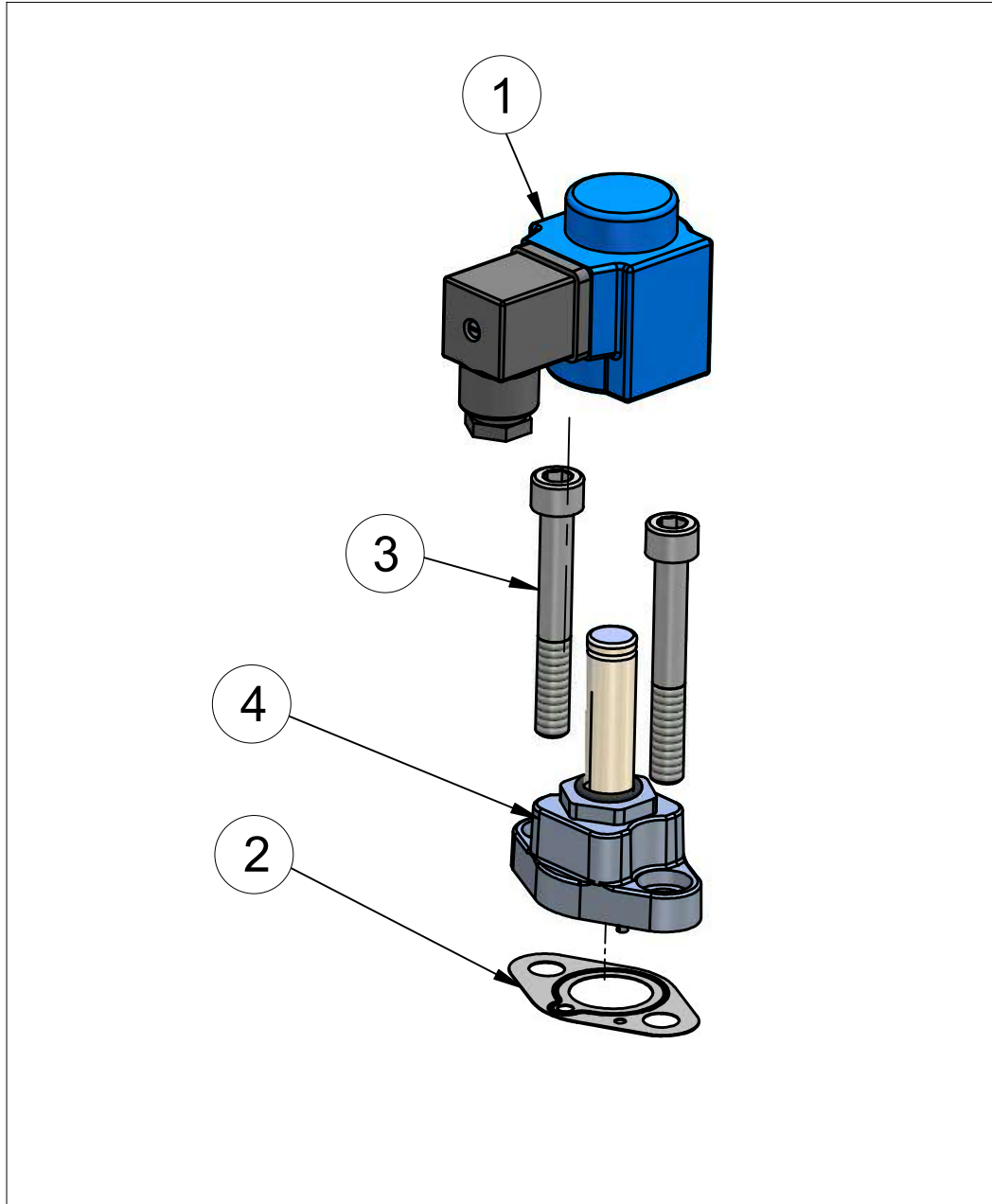


### SU Start unloader head

ATTENZIONE: il presente disegno è di esclusiva proprietà REFCOMP. E' fatto divieto di riproduzione e di divulgazione anche parziale secondo quanto regolato dalle norme vigenti.

ATTENTION: the present drawing is exclusively ownership of REFCOMP. Is forbidden to reproduce and to disclose, even if partially, the present document in conformity to law regulation in force.

Pos	Code	Description	Serial number	Note	Q.ty
14	303813	Unloader start cylinderhead kit 230V 'SU' 'P4' series			1
14	303814	Unloader start cylinderhead kit 110V 'SU' 'P4' series			1
14	303815	Unloader start cylinderhead kit 24V 'SU' 'P4' series			1
1	503329	Unloader start cylinderhead 'P4' series			1
3	519617	Piston stopper 'SU' 'P4' series			1
4	519646	Pressure tightness piston 'SU' 'P4' series			1
5	519647	Unloader start piston spring 'SU' 'P4' series			1
6	592811	Solenoid valve gasket l=51			1
7	592812	Teflon ring piston 'SU'			1
8	592813	Metal gasket standard cylinderhead 'SP2/4' series			1
9	614607	Screw M10x60			8
10	614611	Screw M10x90			2
11	614612	Screw M5x12			1
12	760502	Sensor probe PTC/140°			1
13	760534	Solenoid valve l=51 'SU'			1

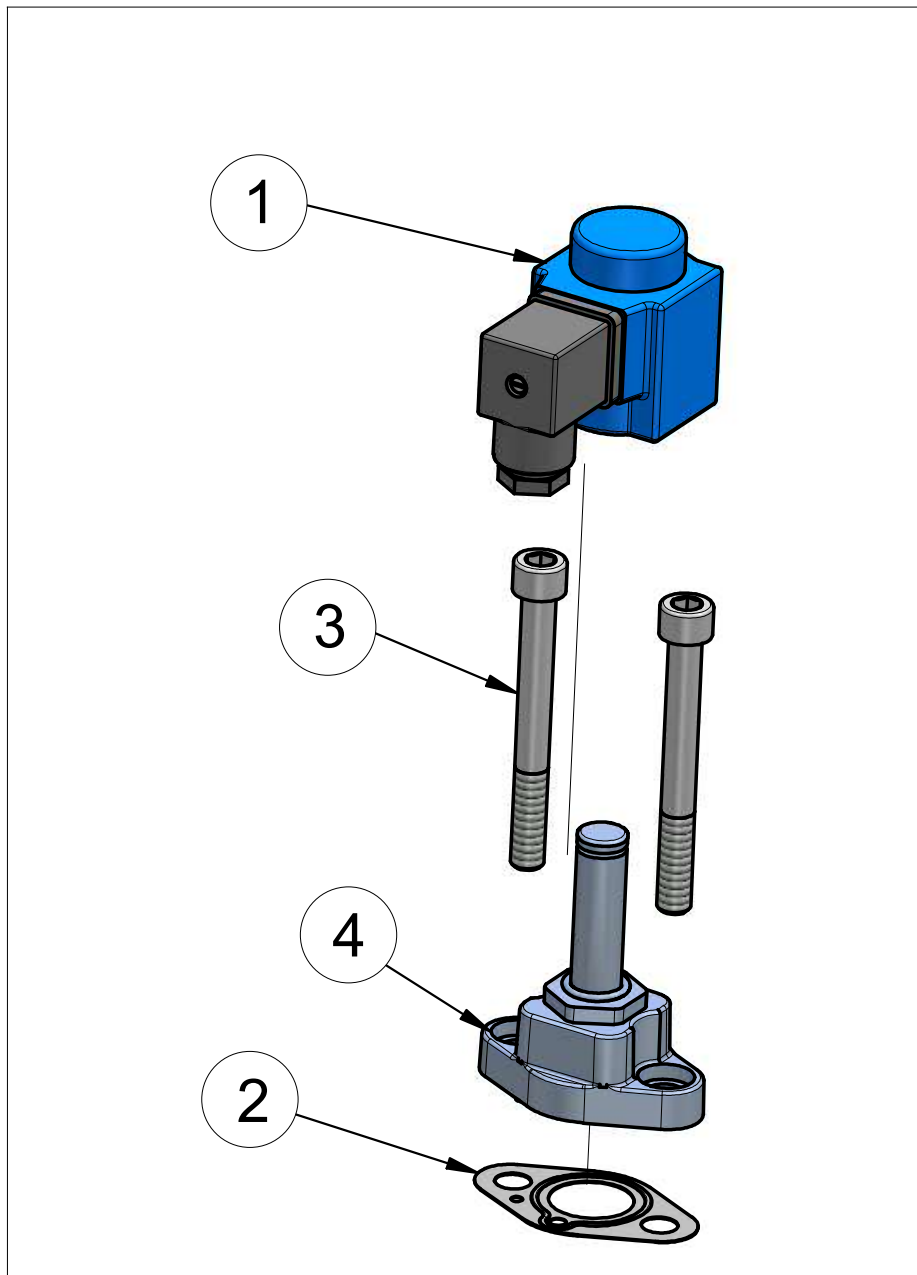


### CR Capacity control solenoid valve

ATTENZIONE: il presente disegno è di esclusiva proprietà REFCOMP. E' fatto divieto di riproduzione e di divulgazione anche parziale secondo quanto regolato dalle norme vigenti.

ATTENTION: the present drawing is exclusively ownership of REFCOMP. Is forbidden to reproduce and to disclose, even if partialy, the present document in conformity to law regulation in force.

Pos	Code	Description	Serial number	Note	Q.ty
5	303852	Solenoid valve kit 230V 'CR' 'P4' series			1
5	303853	Solenoid valve kit 110V 'CR' 'P4' series			1
5	303854	Solenoid valve kit 24V 'CR' 'P4' series			1
1	503330	Coil 230V-50/60Hz			1
1	503331	Coil 110V-50/60Hz			1
1	503332	Coil 24Vac-50/60Hz			1
2	592811	Solenoid valve gasket I=51			1
3	614608	Galvanized screw M10x75		c.s./torque 70Nm	2
4	760529	Solenoid valve I=51 'CR'			1



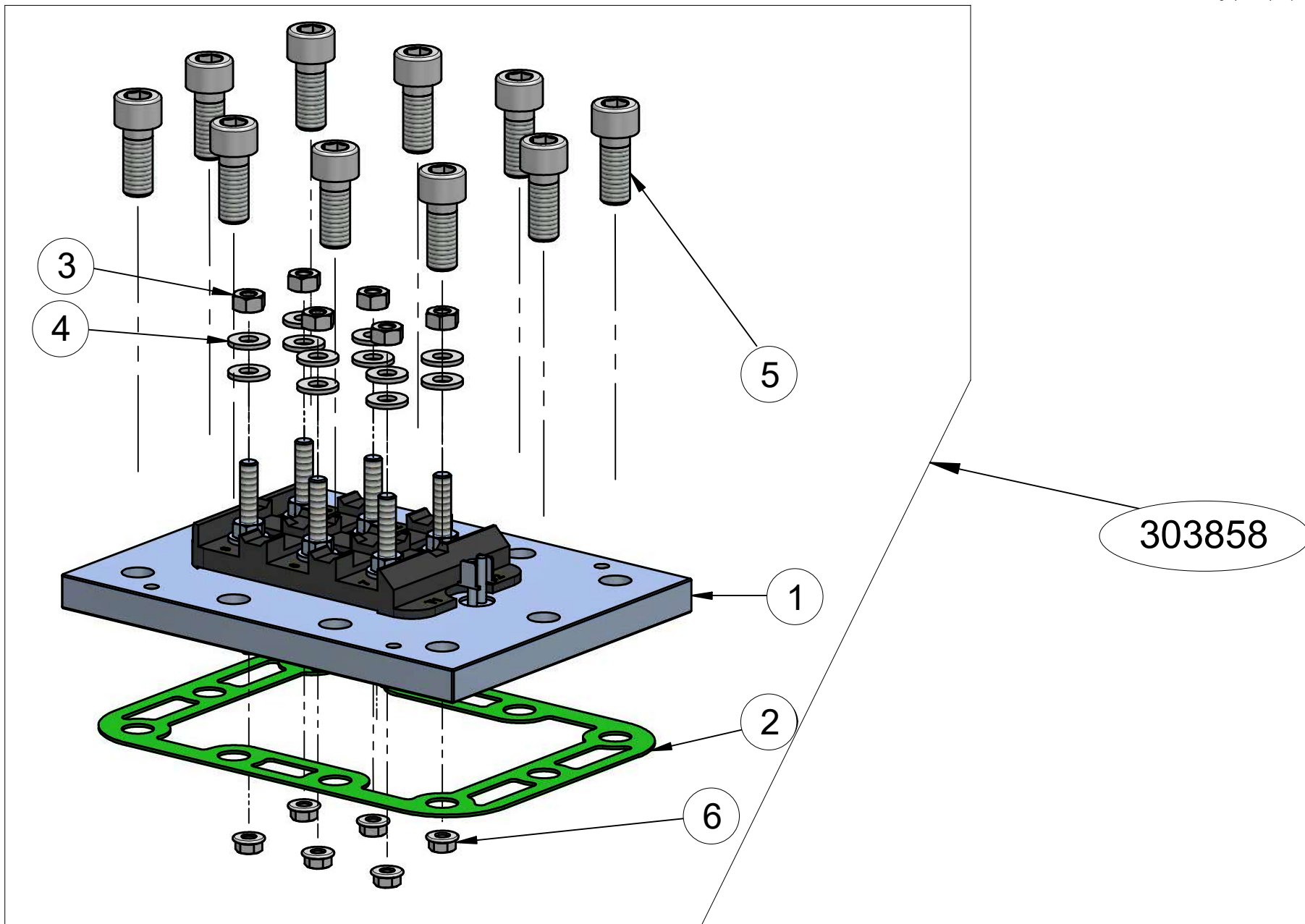
### SU Capacity control solenoid valve

ATTENZIONE: il presente disegno è di esclusiva proprietà REFCOMP.  
E' fatto divieto di riproduzione e di divulgazione anche parziale secondo  
quanto regolato dalle norme vigenti.

ATTENTION: the present drawing is exclusively ownership of REFCOMP.  
Is forbidden to reproduce and to disclose, even if partially, the present  
document in conformity to law regulation in force.



Pos	Code	Description	Serial number	Note	Q.ty
5	303855	Solenoid valve kit 230V 'SU' 'P4' series			1
5	303856	Solenoid valve kit 110V 'SU' 'P4' series			1
5	303857	Solenoid valve kit 24V 'SU' 'P4' series			1
1	503330	Coil 230V-50/60Hz			1
1	503331	Coil 110V-50/60Hz			1
1	503332	Coil 24Vac-50/60Hz			1
2	592811	Solenoid valve gasket I=51			1
3	614611	Screw M10x90		c.s./torque 70Nm	2
4	760534	Solenoid valve I=51 'SU'			1

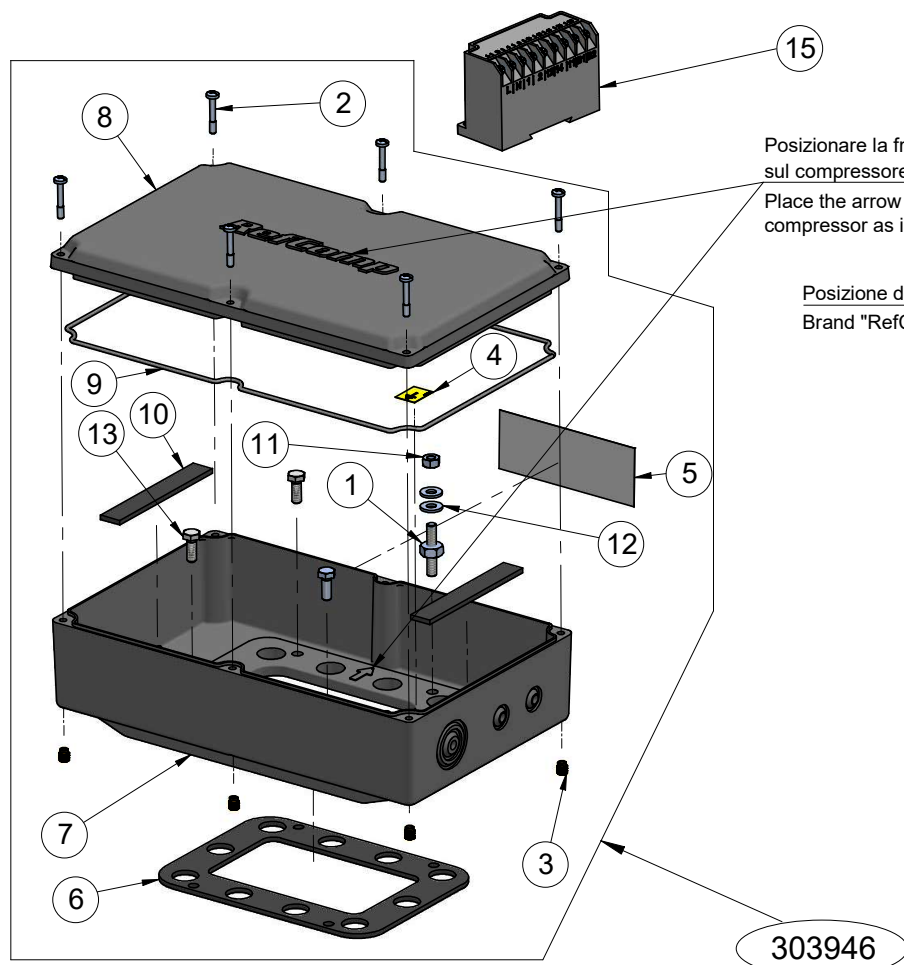
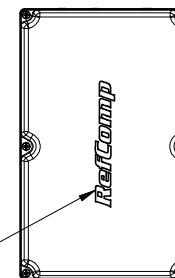
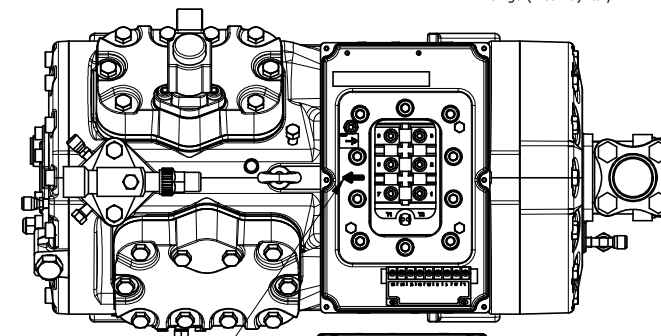


### Terminal plate

ATTENZIONE: il presente disegno è di esclusiva proprietà REFCOMP. E' fatto divieto di riproduzione e di divulgazione anche parziale secondo quanto regolato dalle norme vigenti.

ATTENTION: the present drawing is exclusively ownership of REFCOMP. Is forbidden to reproduce and to disclose, even if partially, the present document in conformity to law regulation in force.

Pos	Code	Description	Serial number	Note	Q.ty
1	503300	Terminal plate M6 'P4' series			1
2	592650	Terminal plate gasket			1
3	610790	Galvanized nut M6			6
4	611010	Plane washer Ø6x14x1.5			12
5	612200	Galvanized screw M10x25		c.s./torque 70Nm	10
6	614527	Klock nut M5			6
#	303858	Terminal plate kit 'P4' series			1



Posizionare la freccia di riferimento della scatola elettrica sul compressore come indicato dal disegno.

Place the arrow of reference of the electrical box on the compressor as indicated by the drawing.

Posizione della scritta "RefComp" come indicato nel disegno.  
Brand "RefComp" as drawing indicated.

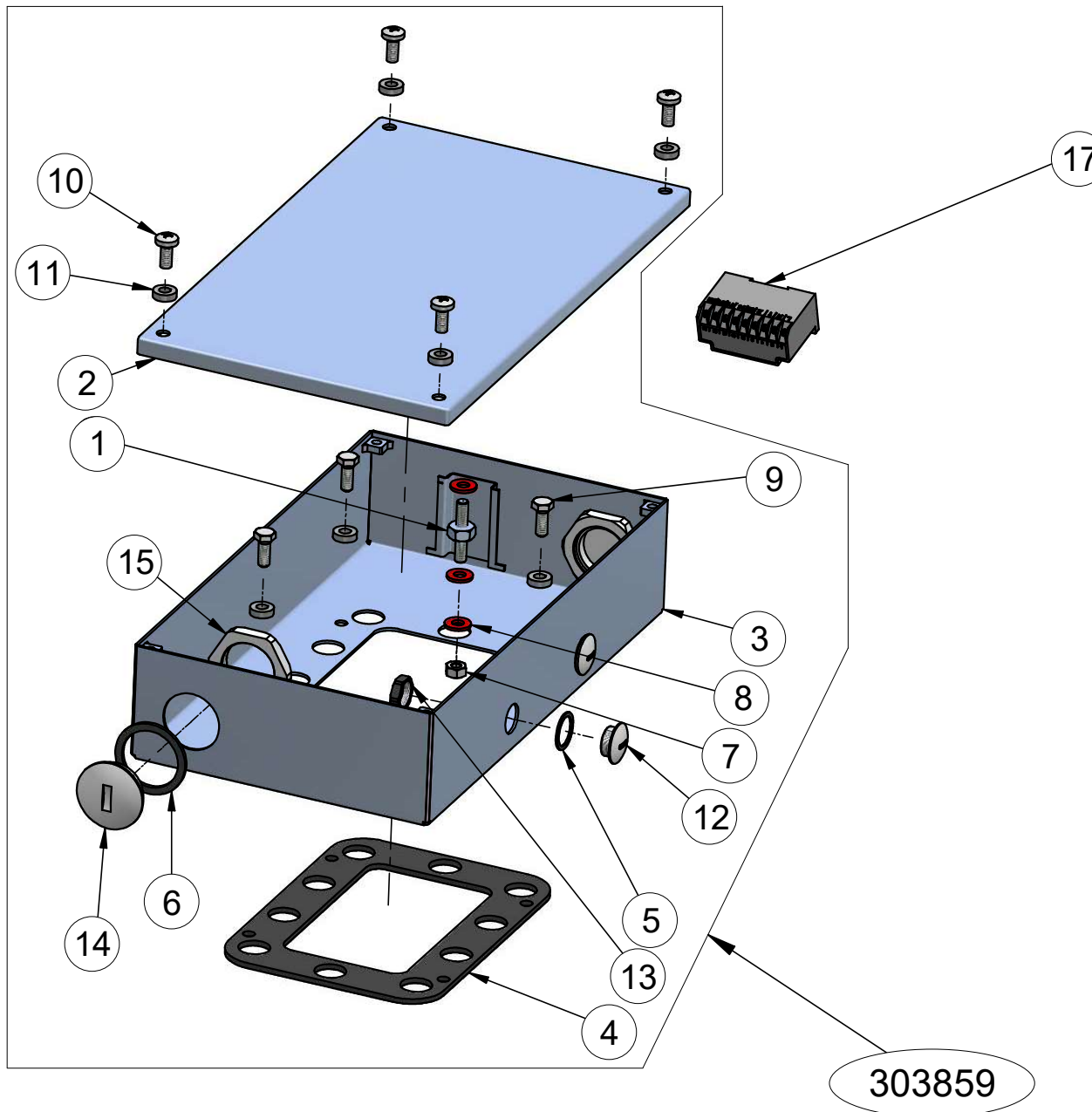
303946

## Terminal box

ATTENZIONE: il presente disegno è di esclusiva proprietà REFCOMP. E' fatto divieto di riproduzione e di divulgazione anche parziale secondo quanto regolato dalle norme vigenti.

ATTENTION: the present drawing is exclusively ownership of REFCOMP. Is forbidden to reproduce and to disclose, even if partialy, the present document in conformity to law regulation in force.

Pos	Code	Description	Serial number	Note	Q.ty
1	511510	Ground screw			1
2	519771	Galvanized screw M4x25			6
3	540743	Insert electrical box M4			6
4	585220	Ground label			1
5	585967	Electric box holes label			1
6	592640	Electric box lower gasket			1
7	592824	Electric box 'P4' series			1
8	592825	Electric box cover 'P4' series			1
9	592831	O-ring electrical box cover 'P4' series			1
10	592868	Kriwan gasket 'P4' series			2
11	610790	Galvanized nut M6			1
12	611010	Plane washer Ø6x14x1.5			2
13	611170	Galvanized screw M6x16			3
303946	303946	Electric box kit 'P4' series		from date 12/04/2010	1



## Terminal box

ATTENZIONE: il presente disegno è di esclusiva proprietà REFCOMP. E' fatto divieto di riproduzione e di divulgazione anche parziale secondo quanto regolato dalle norme vigenti.

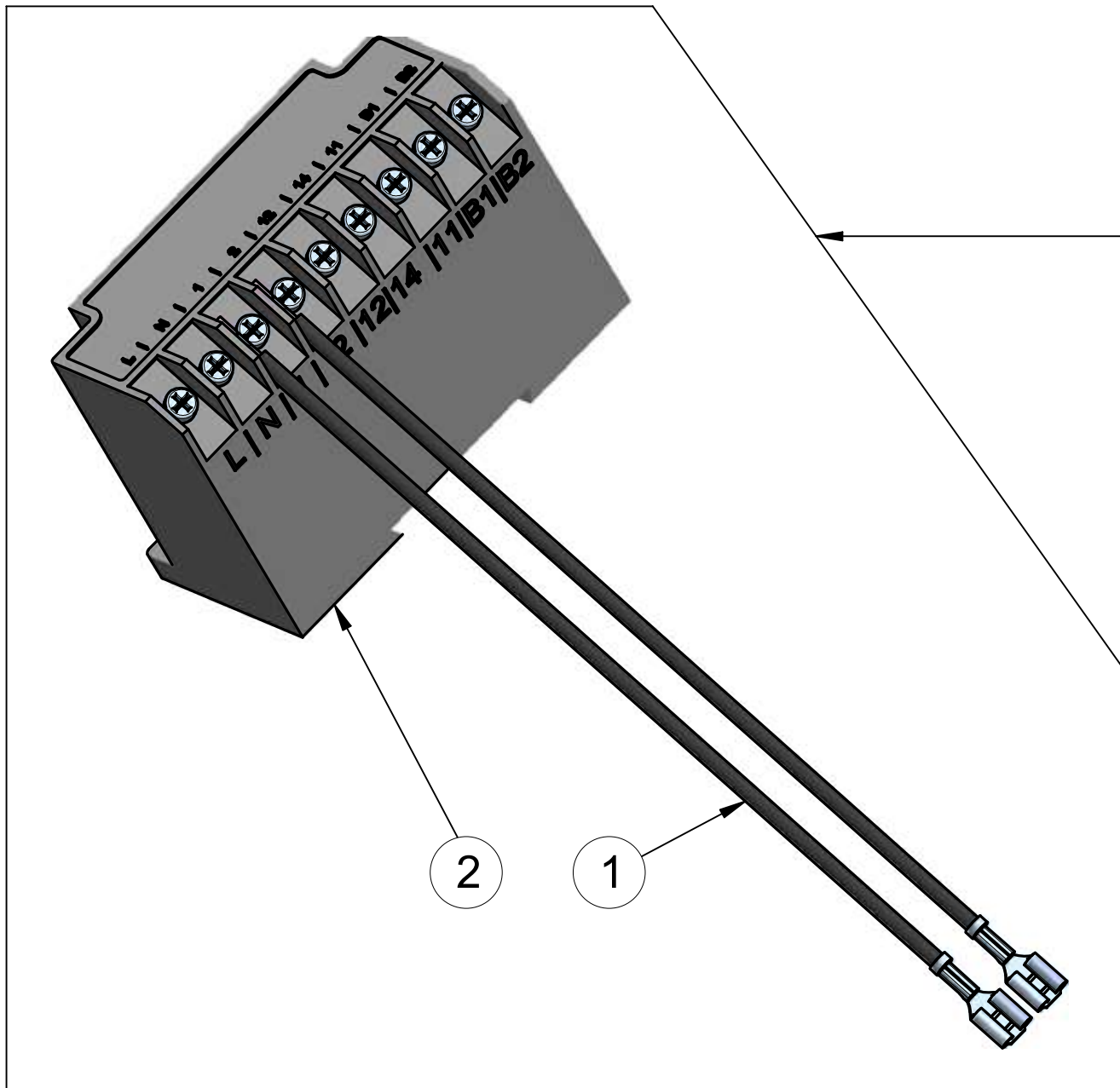
ATTENTION: the present drawing is exclusively ownership of REFCOMP. Is forbidden to reproduce and to disclose, even if partially, the present document in conformity to law regulation in force.

Pos	Code	Description	Serial number	Note	Q.ty
1	511510	Ground screw			1
2	518480	Electric box cover 'P' series			1
3	519663	Electric box 'P4' series			1
4	592640	Electric box lower gasket			1
5	592826	Rubber washer gasket ISO 16			2
6	592828	Rubber washer gasket ISO 32			2
7	610790	Galvanized nut M6			1
8	611010	Plane washer Ø6x14x1.5			3
9	611170	Galvanized screw M6x16			3
10	613960	Galvanized screw M6x16			4
11	691107	Rubber washer miniplast MP16-6			7
12	691153	Plastic plug ISO 16			2
13	691154	Plastic nut ISO 16			2
14	691157	Plastic plug ISO 32			2
15	691158	Plastic nut ISO 32			2
303859	303859	Electric box kit 'P4' series		until date 11/04/2010	1

Terminal box

[www.refcomp.it](http://www.refcomp.it)  
[spareparts@refcomp.it](mailto:spareparts@refcomp.it)

Model: SP4LF0600 > 1200 - SP4HF1000\_1200



### Motor protection device

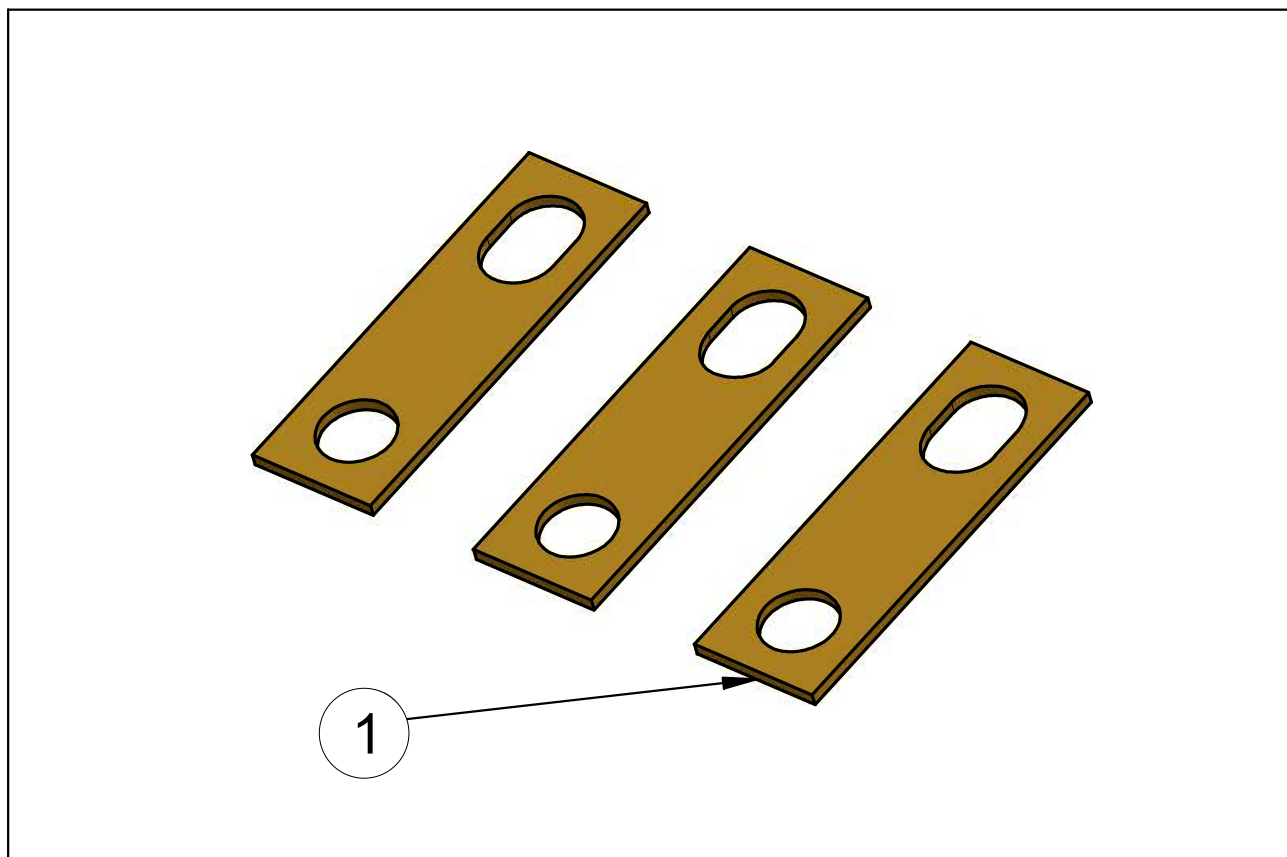
ATTENZIONE: il presente disegno è di esclusiva proprietà REFCOMP. E' fatto divieto di riproduzione e di divulgazione anche parziale secondo quanto regolato dalle norme vigenti.

ATTENTION: the present drawing is exclusively ownership of REFCOMP. Is forbidden to reproduce and to disclose, even if partially, the present document in conformity to law regulation in force.



Pos	Code	Description	Serial number	Note	Q.ty
1	580420	Electrical wire L=190			2
2	581910	Motor protection device INT69VS 24V AC			1
2	581900	Motor protection device INT69VS 110V			1
2	581250	Motor protection device INT69VS 230V			1
3	303945	Motor protection device kit INT69VS 24V 'P4' series			1
3	303944	Motor protection device kit INT69VS 110V 'P4' series			1
3	303943	Motor protection device kit INT69VS 230V 'P4' series			1

Model: SP4LF0600 > 1200 - SP4HF1000\_1200



303167

## Direct starting

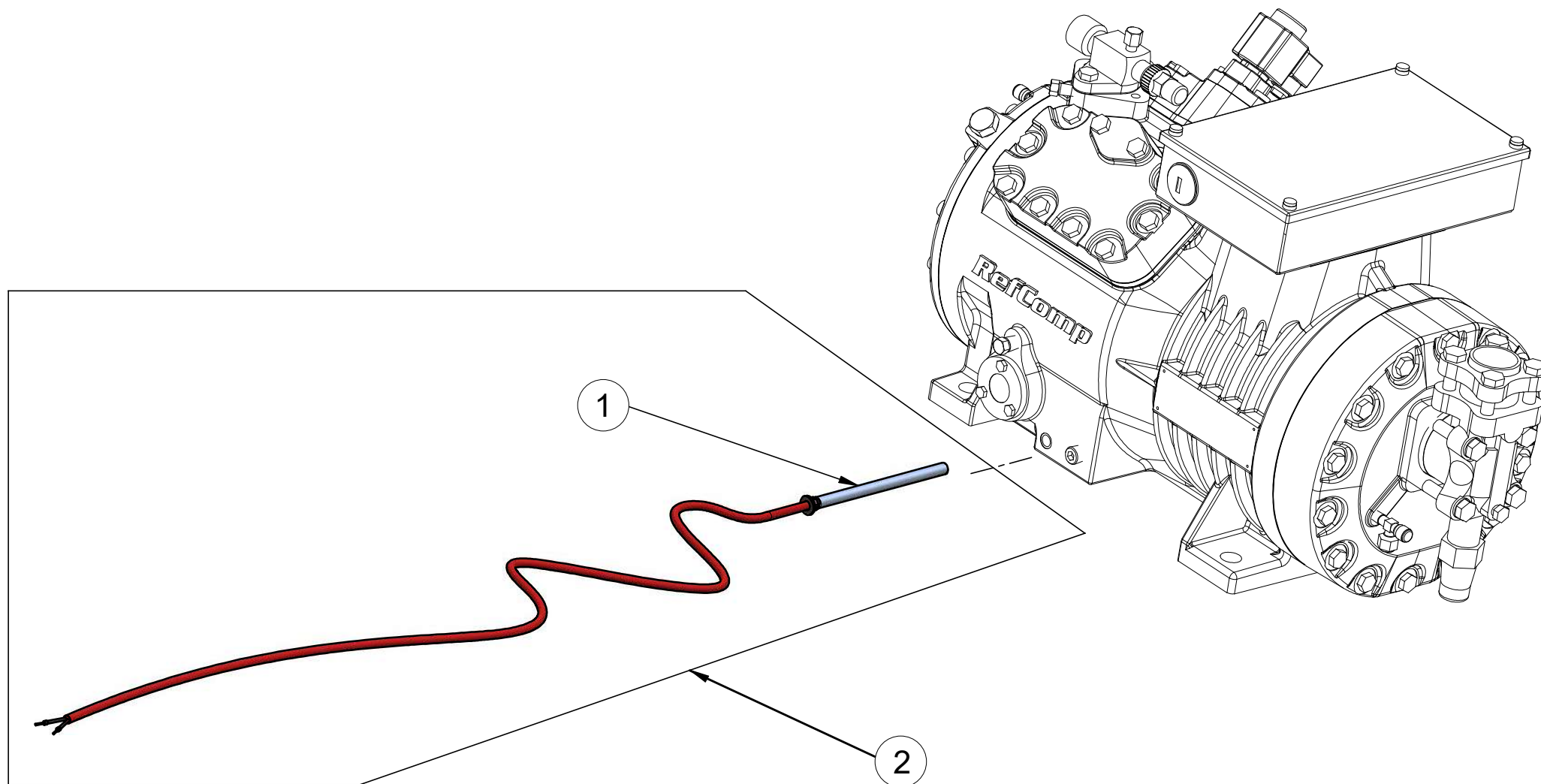
ATTENZIONE: il presente disegno è di esclusiva proprietà REFCOMP.  
E' fatto divieto di riproduzione e di divulgazione anche parziale secondo  
quanto regolato dalle norme vigenti.

ATTENTION: the present drawing is exclusively ownership of REFCOMP.  
Is forbidden to reproduce and to disclose, even if partialy, the present  
document in conformity to law regulation in force.

Pos	Code	Description	Serial number	Note	Q.ty
1	540200	Direct starting rail			3
#	303167	Direct starting kit l=33			1

**Direct starting**

Model: SP4LF0600 > 1200 - SP4HF1000\_1200

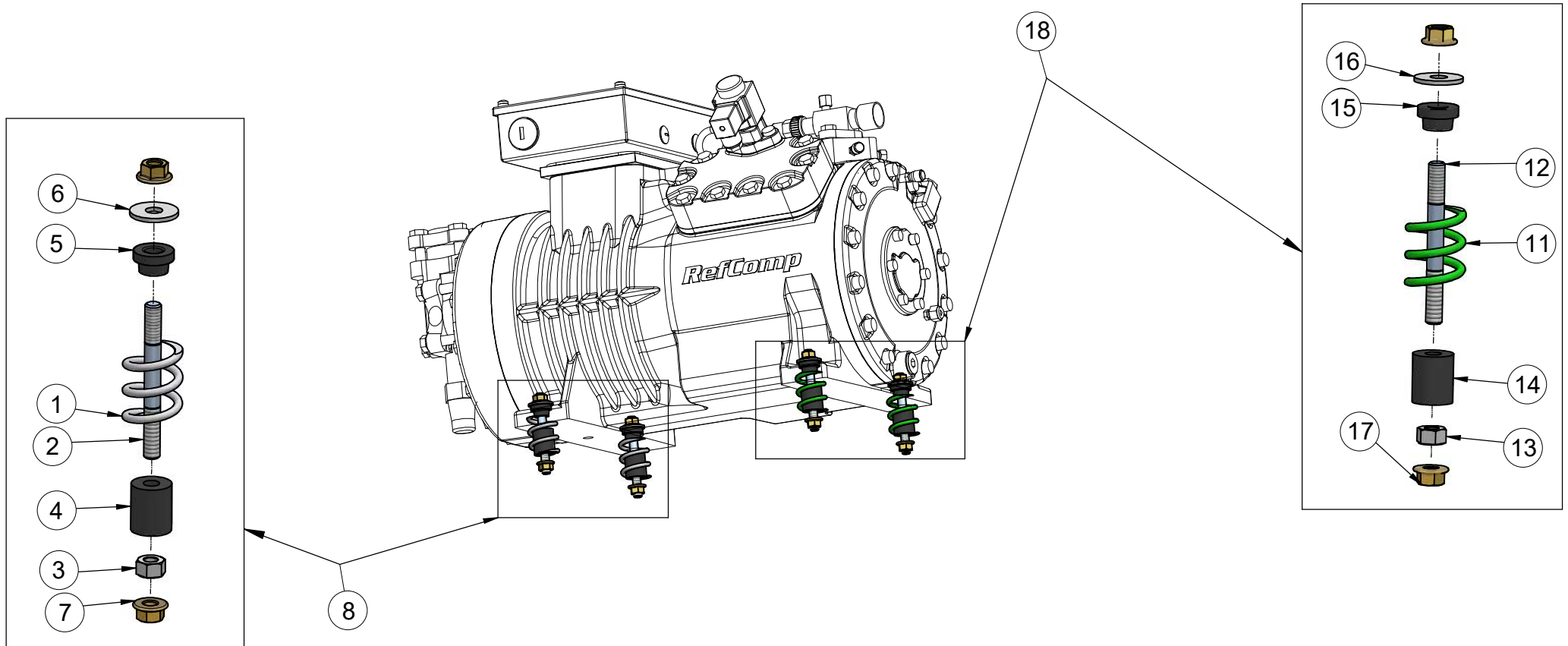


## Crankcase heater

ATTENZIONE: il presente disegno è di esclusiva proprietà REFCOMP.  
E' fatto divieto di riproduzione e di divulgazione anche parziale secondo  
quanto regolato dalle norme vigenti.

ATTENTION: the present drawing is exclusively ownership of REFCOMP.  
Is forbidden to reproduce and to disclose, even if partialy, the present  
document in conformity to law regulation in force.

Pos	Code	Description	Serial number	Note	Q.ty
1	760533	Crankcase heater 110V 200W Ø11			1
1	760532	Crankcase heater 230V 200W Ø11			1
2	303891	Crankcase heater kit 110V 220W Ø11 'P4' series			1
2	303890	Crankcase heater kit 230V 220W Ø11 'P4' series			1

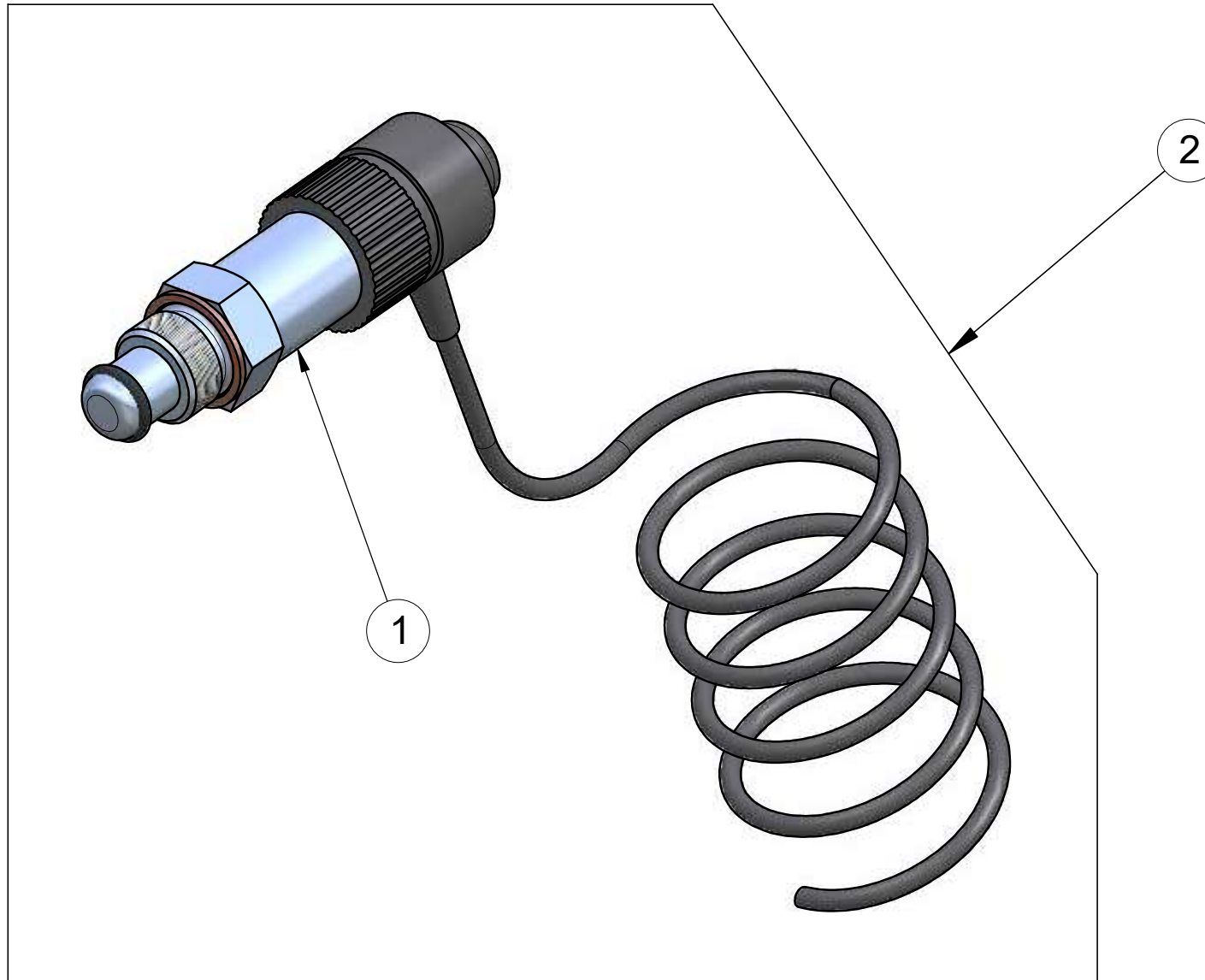


## Dumpers

ATTENZIONE: il presente disegno è di esclusiva proprietà REFCOMP.  
E' fatto divieto di riproduzione e di divulgazione anche parziale secondo  
quanto regolato dalle norme vigenti.

ATTENTION: the present drawing is exclusively ownership of REFCOMP.  
Is forbidden to reproduce and to disclose, even if partially, the present  
document in conformity to law regulation in force.

Pos	Code	Description	Serial number	Note	Q.ty
11	518821	Green spring dumper 'SP' series			1
1	518822	Grey spring dumper 'SP' series			1
2	518823	Tie rod dumpers M10x100 'SP' series			1
12	518823	Tie rod dumpers M10x100 'SP' series			1
5	590970	Dumper bush			1
15	590970	Dumper bush			1
4	592680	Dumper spring drive			1
14	592680	Dumper spring drive			1
13	610800	Galvanized nut M10			1
3	610800	Galvanized nut M10			1
16	611100	Plane washer Ø10xØ30x2			1
6	611100	Plane washer Ø10xØ30x2			1
7	614410	Nut M10			2
17	614410	Nut M10			2
8	303130	Grey spring dumper kit			2
18	303131	Green spring dumper kit			2



## Oil pressure switch

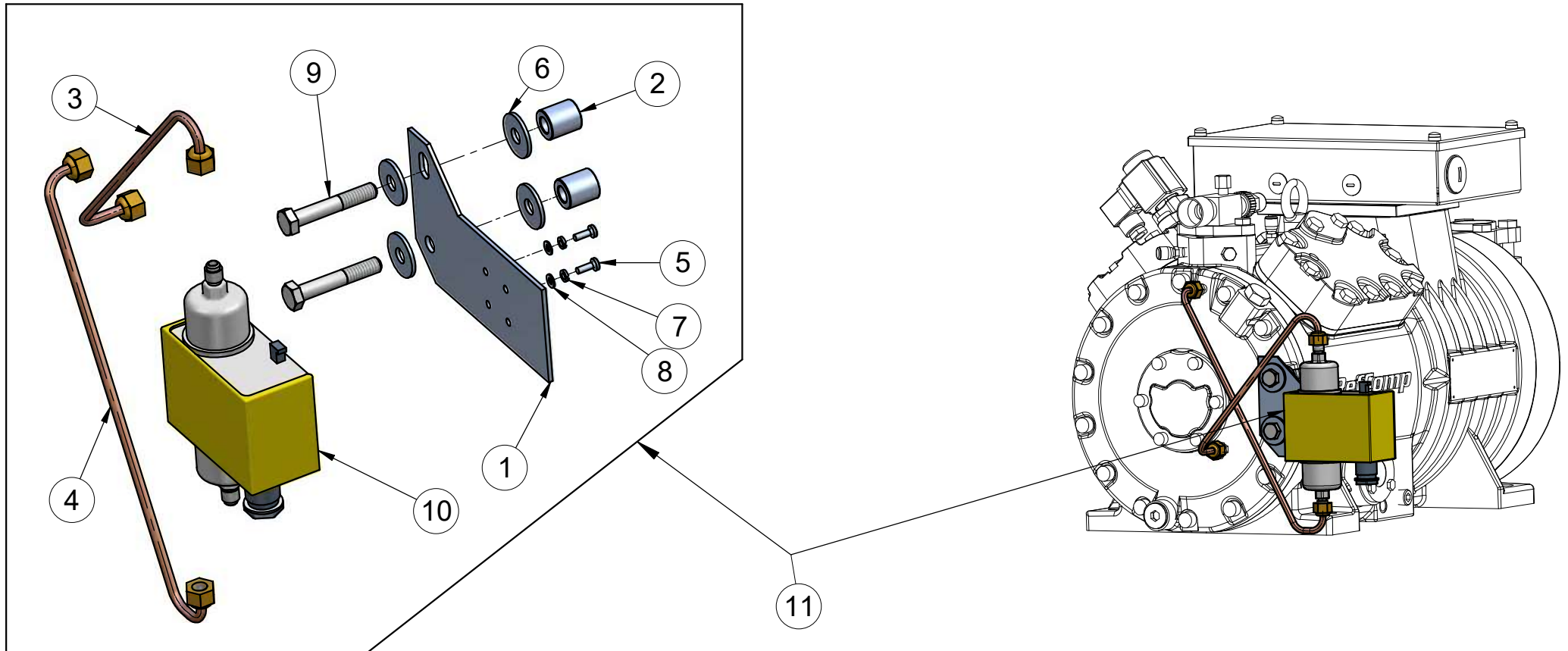
ATTENZIONE: il presente disegno è di esclusiva proprietà REFCOMP.  
E' fatto divieto di riproduzione e di divulgazione anche parziale secondo  
quanto regolato dalle norme vigenti.

ATTENTION: the present drawing is exclusively ownership of REFCOMP.  
Is forbidden to reproduce and to disclose, even if partialy, the present  
document in conformity to law regulation in force.



Pos	Code	Description	Serial number	Note	Q.ty
2	303035	Oil pressure switch kit 230V M20x1.5			1
2	303782	Oil pressure switch kit 230V M20x1.5			1
1	760490	Oil differential kriwan 230V M20x1.5			1
1	760491	Oil differential kriwan 230V M20x1.5			1

**Oil pressure switch**



### Mechanical oil pressure switch "MP54"

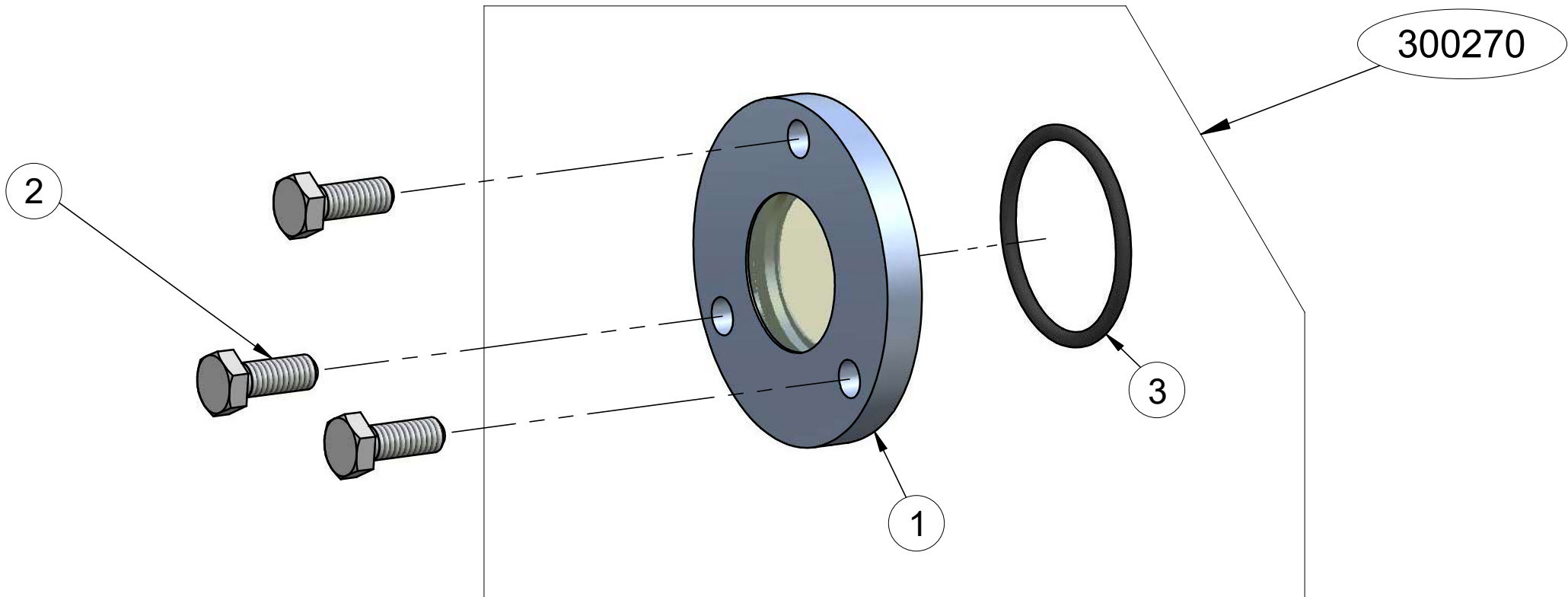
ATTENZIONE: il presente disegno è di esclusiva proprietà REFCOMP.  
E' fatto divieto di riproduzione e di divulgazione anche parziale secondo  
quanto regolato dalle norme vigenti.

ATTENTION: the present drawing is exclusively ownership of REFCOMP.  
Is forbidden to reproduce and to disclose, even if partially, the present  
document in conformity to law regulation in force.

Pos	Code	Description	Serial number	Note	Q.ty
11	303860	Oil pressure switch MP54 kit 'P4' series			1
1	513540	Oil flowswitch bracket			1
2	519600	Spacer Ø10.5xØ20x22 'P4' series			2
3	540738	Oil pressure pipe MP54 L.P.			1
4	540739	Oil pressure pipe MP54 H.P.			1
5	610630	Galvanized screw M4x12			2
6	611100	Plane washer Ø10xØ30x2			4
7	614463	Grower washer M4			2
8	614464	Plane washer Ø4.3xØ8x0.5			2
9	614607	Screw M10x60		c.s./torque 70Nm	2
10	760508	Oil pressure switch MP54			1

**Mechanical oil pressure switch "MP54"**

[www.refcomp.it](http://www.refcomp.it)  
[spareparts@refcomp.it](mailto:spareparts@refcomp.it)



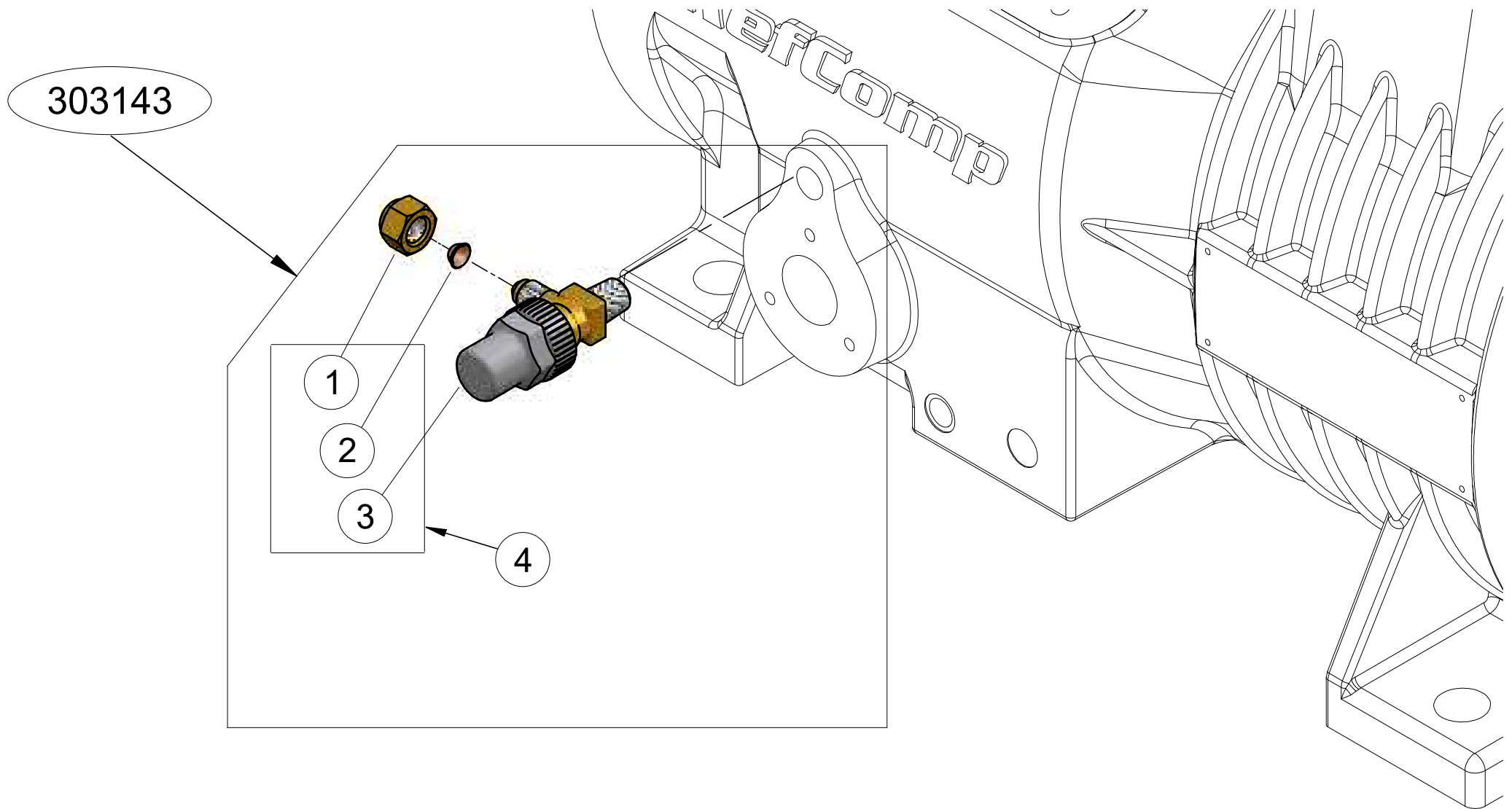
### Sight glass cover

ATTENZIONE: il presente disegno è di esclusiva proprietà REFCOMP. E' fatto divieto di riproduzione e di divulgazione anche parziale secondo quanto regolato dalle norme vigenti.

ATTENTION: the present drawing is exclusively ownership of REFCOMP. Is forbidden to reproduce and to disclose, even if partialy, the present document in conformity to law regulation in force.

Pos	Code	Description	Serial number	Note	Q.ty
1	500270	Sight glass cover 3 holes			1
2	611150	Galvanized screw M6x14		c.s./torque 10Nm	3
3	690080	O-ring OR3131			1
#	300270	Sight glass cover kit 3 holes			1

**Sight glass cover**



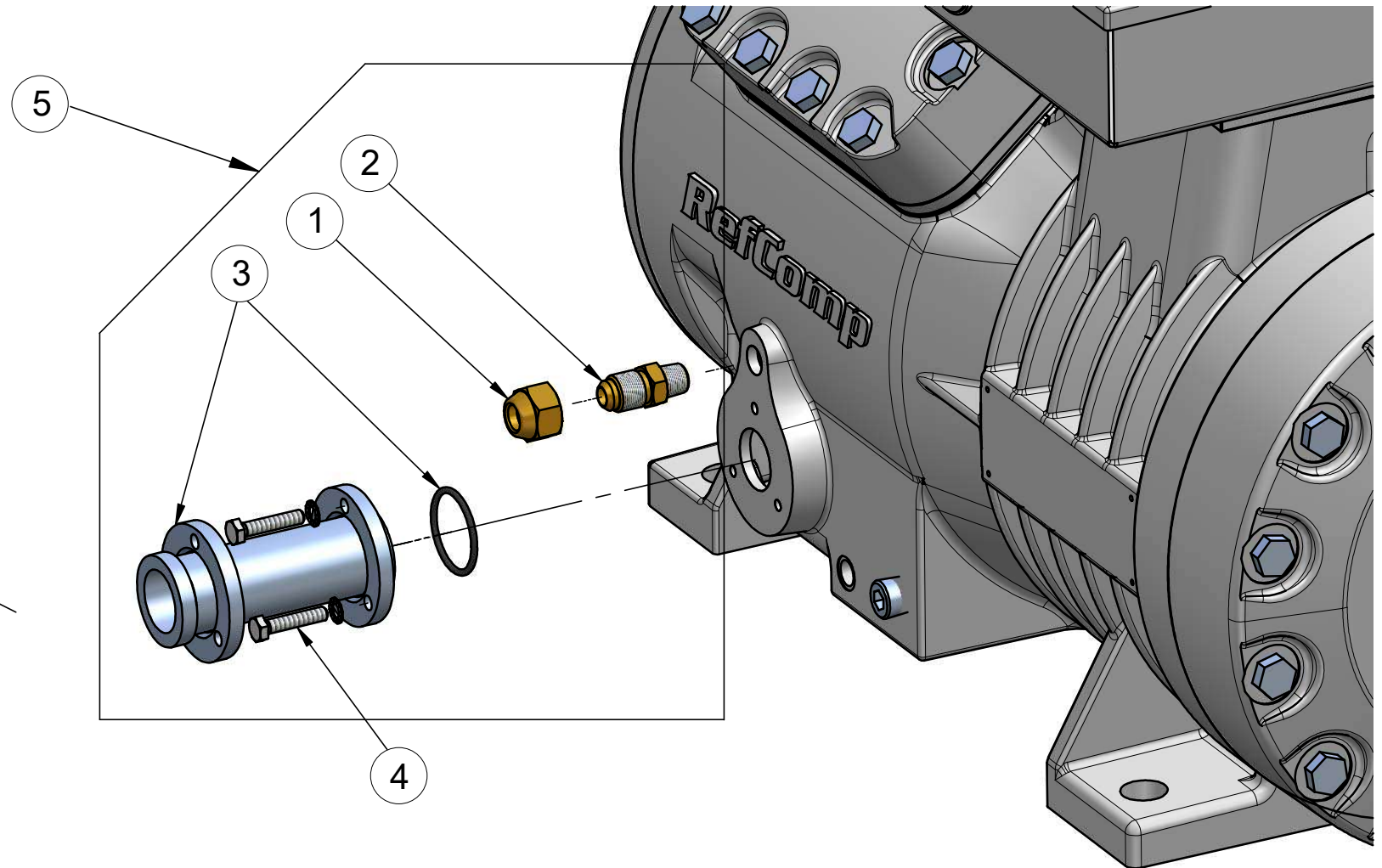
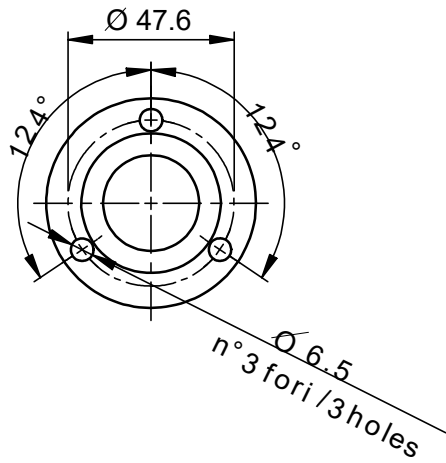
## Oil charge valve

ATTENZIONE: il presente disegno è di esclusiva proprietà REFCOMP.  
E' fatto divieto di riproduzione e di divulgazione anche parziale secondo  
quanto regolato dalle norme vigenti.

ATTENTION: the present drawing is exclusively ownership of REFCOMP.  
Is forbidden to reproduce and to disclose, even if partialy, the present  
document in conformity to law regulation in force.

Pos	Code	Description	Serial number	Note	Q.ty
4	503080	Charge/discharge assembly shut-off valve 1/4"NPT			1
1	640020	Nut 1/4"SAE-6			1
2	640050	Cooper cap 1/4"SAE			1
3	640080	Charge/discharge shut-off valve 1/4"NPT			1
#	303143	Charge/discharge shut-off valve kit 1/4"NPT 'P' series			1

Schema di fissaggio  
Fixing draw



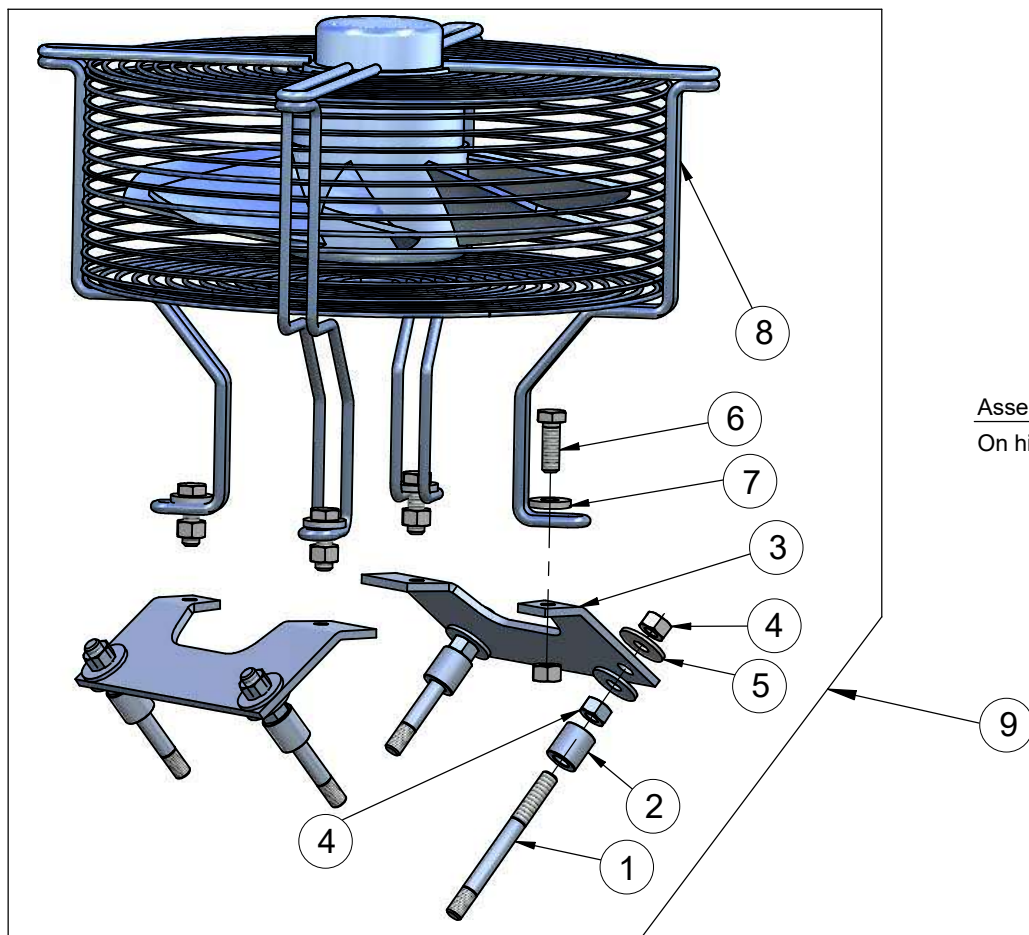
## Parallel compounding connection

ATTENZIONE: il presente disegno è di esclusiva proprietà REFCOMP.  
E' fatto divieto di riproduzione e di divulgazione anche parziale secondo  
quanto regolato dalle norme vigenti.

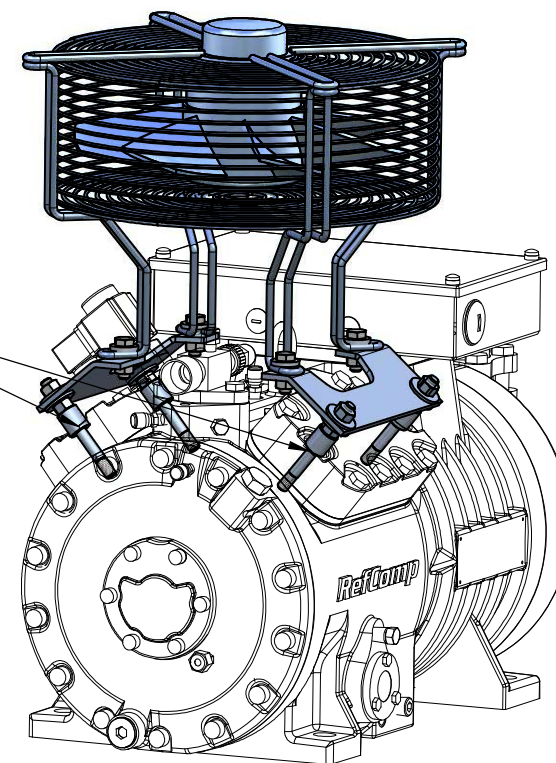
ATTENTION: the present drawing is exclusively ownership of REFCOMP.  
Is forbidden to reproduce and to disclose, even if partialy, the present  
document in conformity to law regulation in force.



Pos	Code	Description	Serial number	Note	Q.ty
5	303863	Parallel compounding connection kit 'P4' series			1
4	614819	Screw M6x30			3
1	640320	Nut 3/8"SAE-10			1
2	640420	Straight connection 1/4"NPT-3/8"SAE			1
3	700361	Parallel connection adaptor 'P4' series			1



Assemblaggio su testata  
On high head assembly



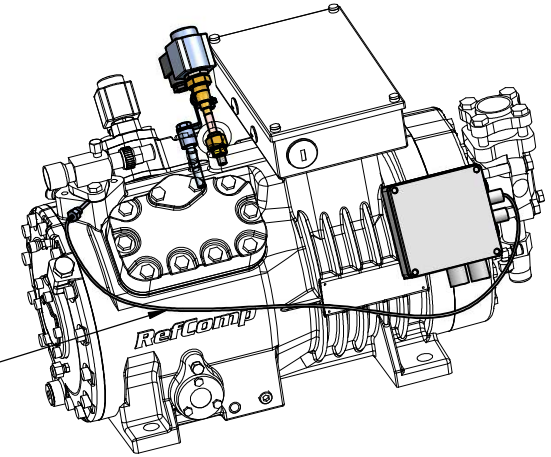
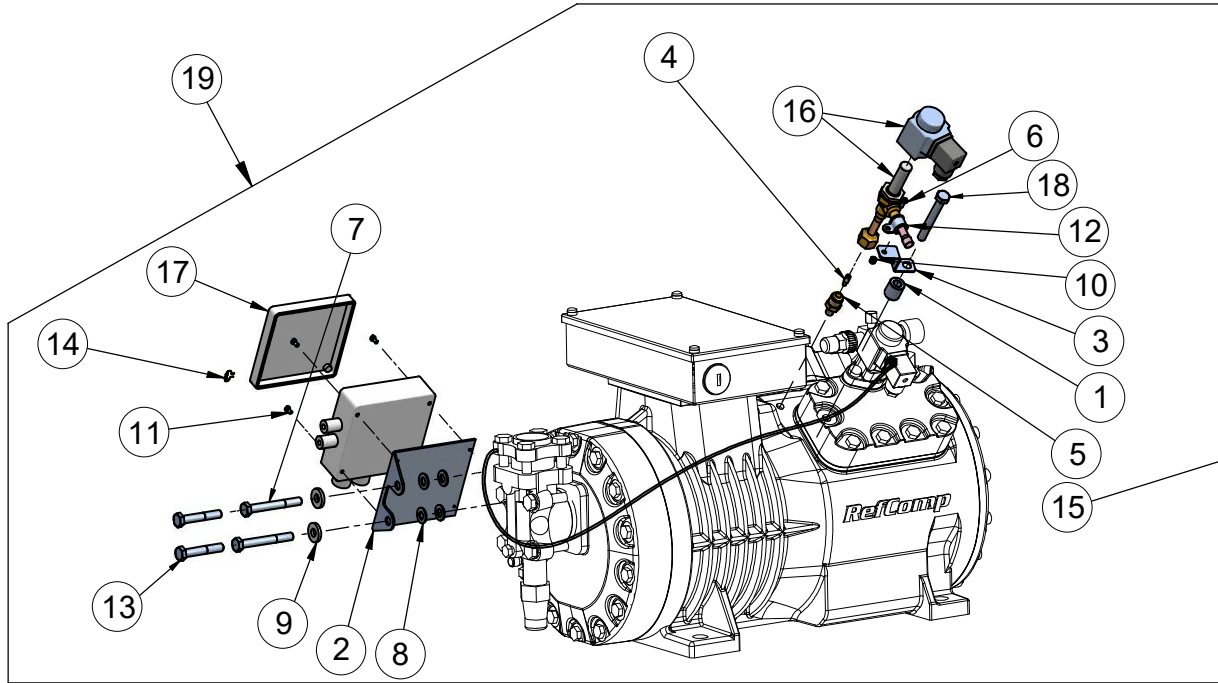
## Additional fan

ATTENZIONE: il presente disegno è di esclusiva proprietà REFCOMP.  
E' fatto divieto di riproduzione e di divulgazione anche parziale secondo  
quanto regolato dalle norme vigenti.

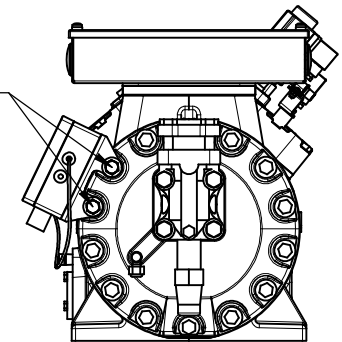
ATTENTION: the present drawing is exclusively ownership of REFCOMP.  
Is forbidden to reproduce and to disclose, even if partially, the present  
document in conformity to law regulation in force.

Pos	Code	Description	Serial number	Note	Q.ty
1	518995	Tie rod fan M10x105 'SP' series			4
2	519600	Spacer Ø10.5xØ20x22 'P4' series			4
3	519713	Fan bracket 'P4' series			2
4	610820	Galvanized nut M10		c.s./torque 70Nm	12
5	611100	Plane washer Ø10xØ30x2			8
6	612850	Galvanized screw M10x30			4
7	614457	Plane washer Ø10.5xØ28x4			4
8	760509	Fan			1
9	303861	Fan kit 'P4' series			1

**Additional fan**



Posizione montaggio su coperchio asp.  
Assembly position on suction cover

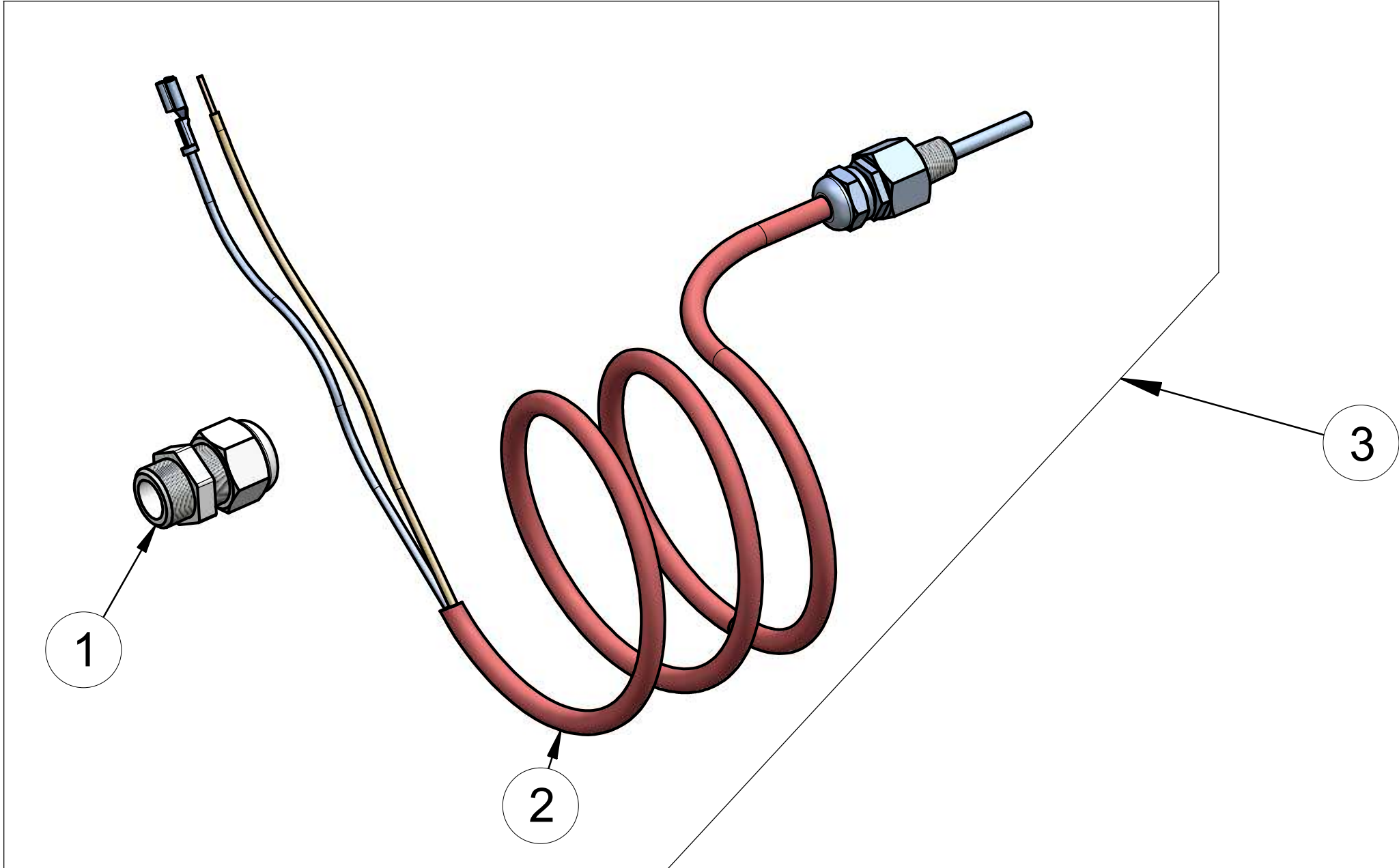


## Liquid injection

ATTENZIONE: il presente disegno è di esclusiva proprietà REFCOMP.  
E' fatto divieto di riproduzione e di divulgazione anche parziale secondo  
quanto regolato dalle norme vigenti.

ATTENTION: the present drawing is exclusively ownership of REFCOMP.  
Is forbidden to reproduce and to disclose, even if partialy, the present  
document in conformity to law regulation in force.

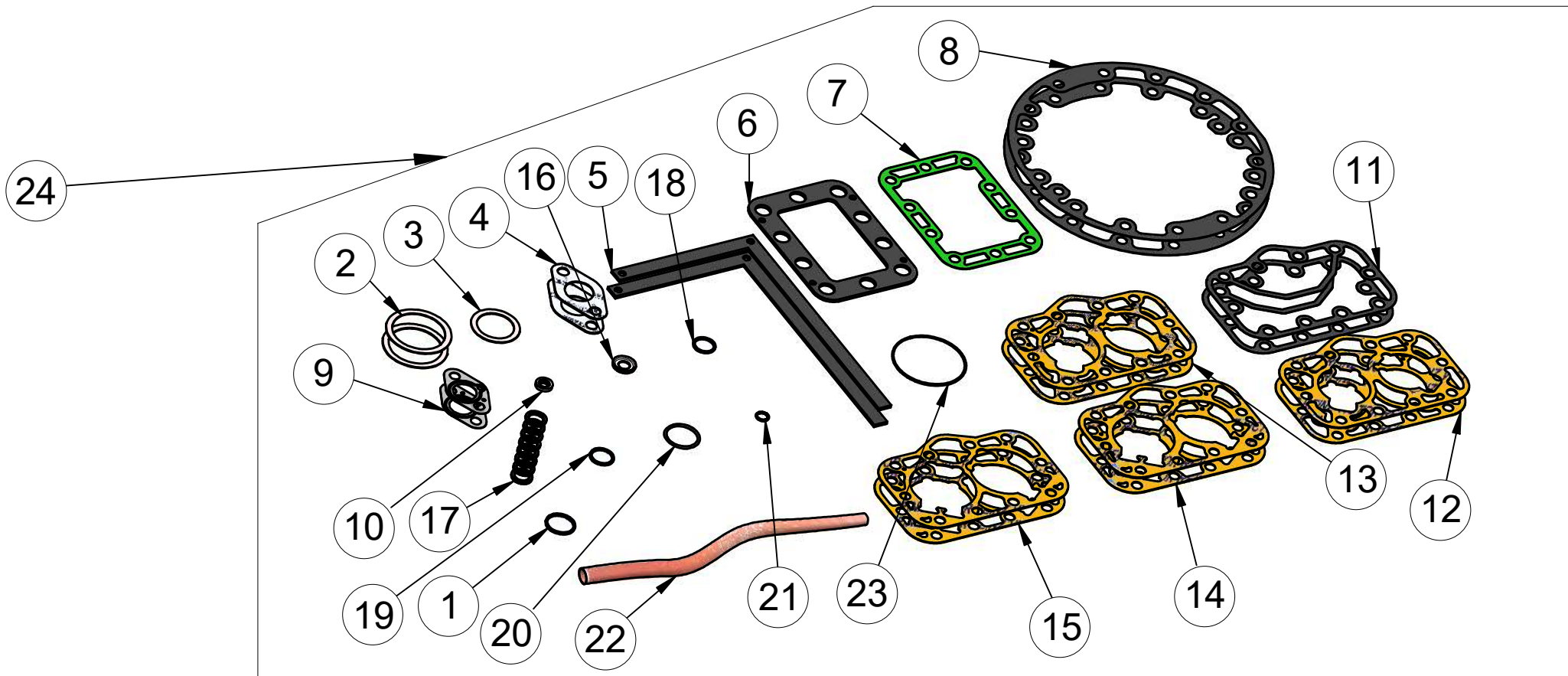
Pos	Code	Description	Serial number	Note	Q.ty
1	519600	Spacer Ø10.5xØ20x22 'P4' series			1
2	519751	Injection module bracket			1
3	519762	Injection valve bracket			1
5	540744	Straight connection 1/8NPT-3/8SAE			1
6	610630	Galvanized screw M4x12			1
18	612180	Galvanized screw M10x80		c.s./torque 70Nm	1
7	612180	Galvanized screw M10x80		only for: SP4H*1500 - SP4H*2000	2
8	613910	Plane washer Ø10.5xØ20x2			4
9	614457	Plane washer Ø10.5xØ28x4			2
10	614459	Self-locking nut M4			1
11	614492	Galvanized screw M4x8			4
12	614493	Pipe bracket Ø10			1
13	614586	Galvanized screw M10x60		c.s./torque 70Nm	2
14	680369	Resistance 1Kiloohm 1/4watt- 5%			1
15	760513	Temperature probe PT1000			1
16	760514	Solenoid valve			1
17	760515	Lcm module electronic injection 230V-50/60Hz			1
19	303862	Liquid injection kit 'P4' series			1
4	303931	Nozzle kit M6 R404a 'P4/F/N' series			1
4	303932	Nozzle kit M6 R22/R404a 'P4/F/N' series			1



**Discharge temperature sensor**

Pos	Code	Description	Serial number	Note	Q.ty
3	303785	Temperature probe kit 140°C			1
1	691163	Nylon gland ISO 16			1
2	760502	Sensor probe PTC/140°			1

**Discharge temperature sensor**



## Gaskets

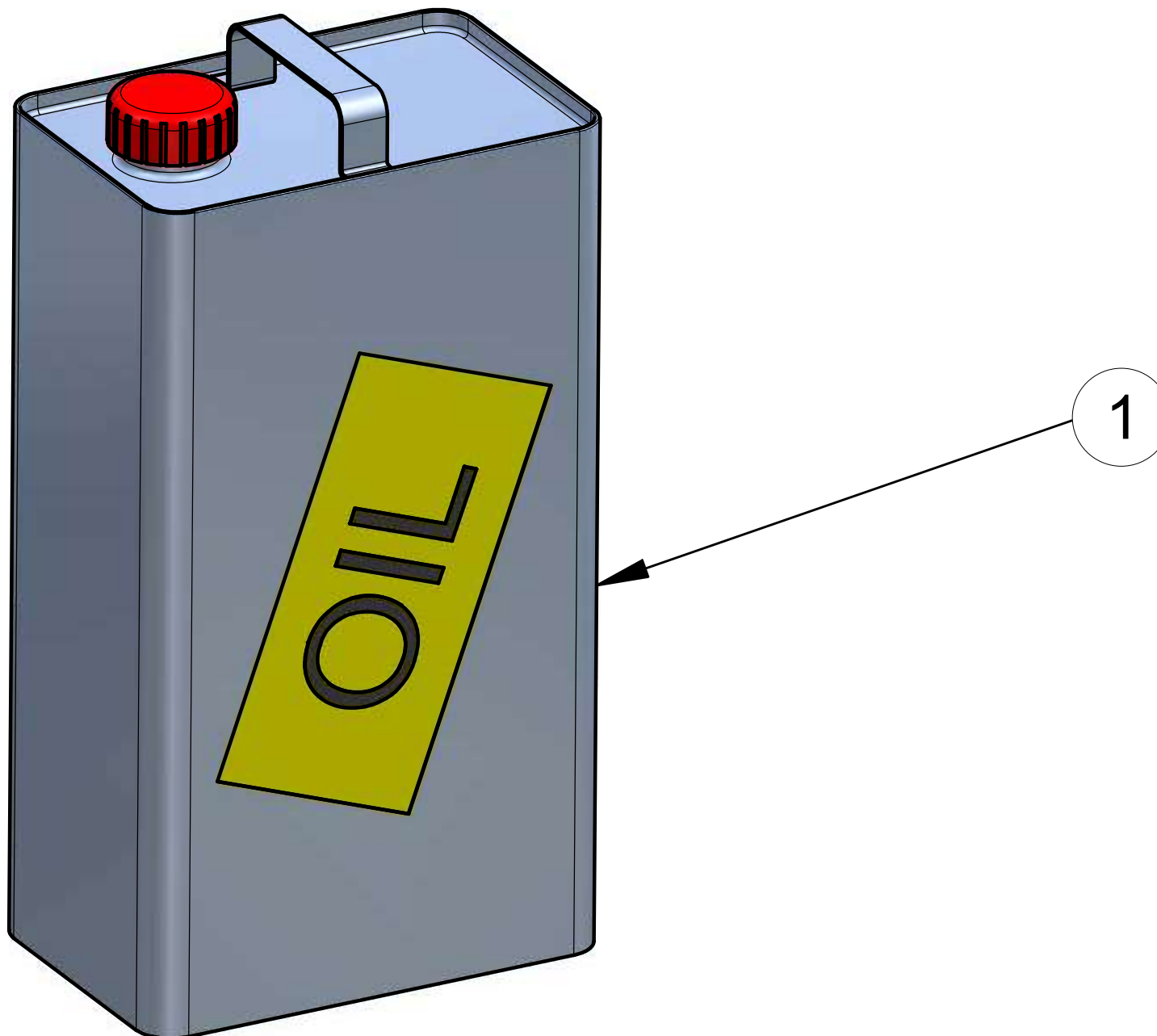
ATTENZIONE: il presente disegno è di esclusiva proprietà REFCOMP.  
E' fatto divieto di riproduzione e di divulgazione anche parziale secondo  
quanto regolato dalle norme vigenti.

ATTENTION: the present drawing is exclusively ownership of REFCOMP.  
Is forbidden to reproduce and to disclose, even if partialy, the present  
document in conformity to law regulation in force.



Pos	Code	Description	Serial number	Note	Q.ty
1	520664	Aluminium ring Ø28.6xØ31.8x2			1
2	590790	Shut-off valve gasket Ø57xØ70x1			2
3	591010	Shut-off valve gasket Ø40xØ52.5x1			1
4	592540	Oval flange gasket l=66			2
5	592630	Electric box cover gasket			2
6	592640	Electric box lower gasket			1
7	592650	Terminal plate gasket			1
8	592810	Suction cover gasket			2
9	592811	Solenoid valve gasket l=51			2
10	592812	Teflon ring piston 'SU'			1
11	592813	Metal gasket standard cylinderhead 'SP2/4' series			2
12	592814	Valve plate gasket Ø55			2
13	592815	Valve plate gasket Ø60			2
14	592816	Valve plate gasket Ø65			2
15	592817	Valve plate gasket Ø70			2
16	592821	Teflon ring unloader piston			1
17	592822	Spacer Ø16.15xØ22.5x2.7			8
18	620090	Alluminium plane washer Ø20.5xØ24x1.5			1
19	620110	Alluminium plane washer Ø22xØ26x1.5			1
20	690080	O-ring OR3131			1
21	690190	O-ring OR2043			1
22	690240	Shrink sleeve Ø18			1
23	691149	O-ring OR2300			1
24	303864	Gasket kit 'P4/F/N' series			1

Model: SP4LF0600 > 1200 - SP4HF1000\_1200



**Lubricant oil**

ATTENZIONE: il presente disegno è di esclusiva proprietà REFCOMP.  
E' fatto divieto di riproduzione e di divulgazione anche parziale secondo  
quanto regolato dalle norme vigenti.

ATTENTION: the present drawing is exclusively ownership of REFCOMP.  
Is forbidden to reproduce and to disclose, even if partialy, the present  
document in conformity to law regulation in force.

Pos	Code	Description	Serial number	Note	Q.ty
1	303239	Tank oil kit 5Lt 'SD22-13'			1
1	600140	Oil tank 5Lt 'RL68H'			1
1	600220	Oil tank 5Lt 'RL32H'			1