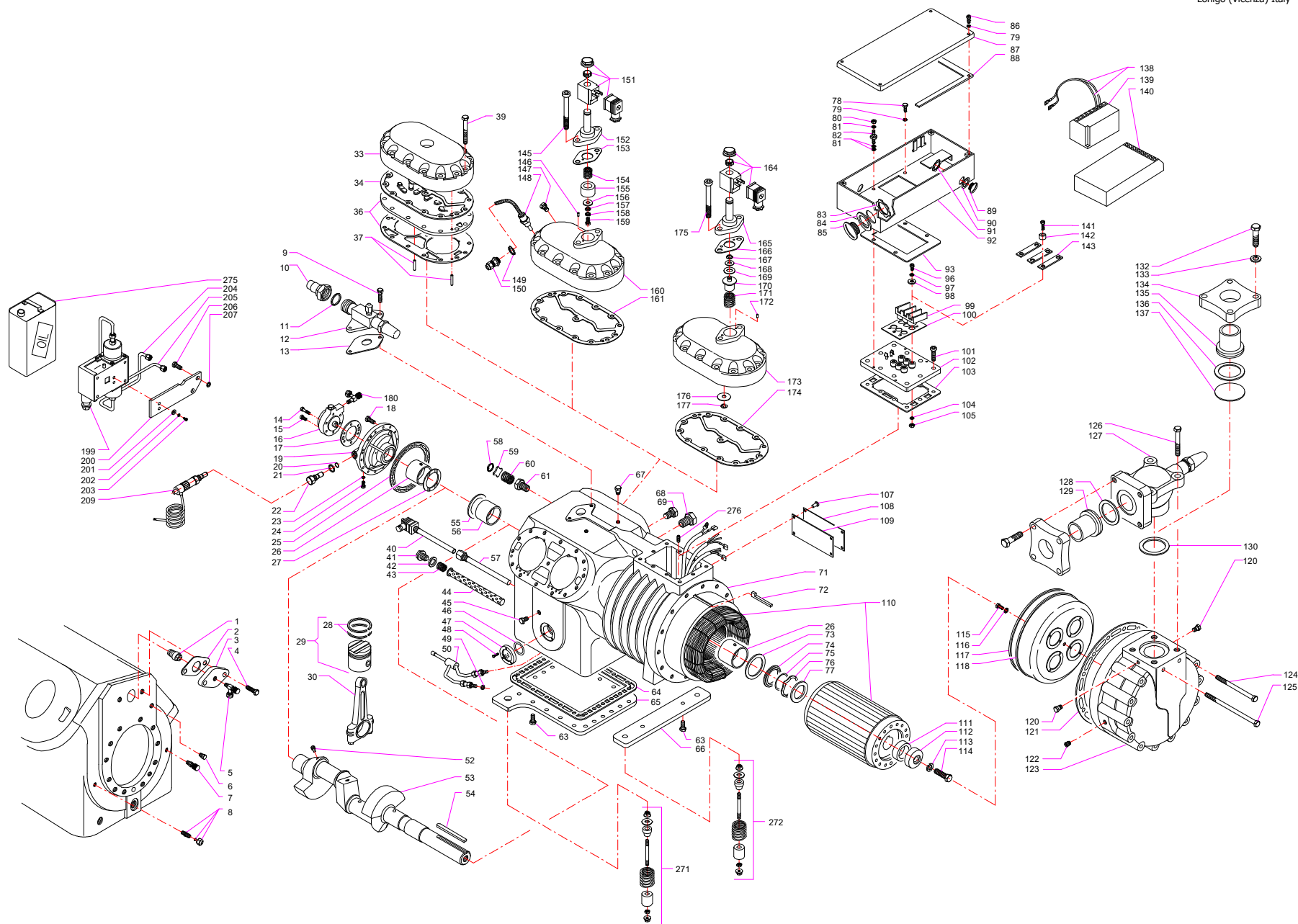


# Model: "SP4" Series



**SP4L1500 > 2500 - SP4H2200 > 3500**

ATTENZIONE: il presente disegno è di esclusiva proprietà REFCOMP. E' fatto divieto di riproduzione e di divulgazione anche parziale secondo quanto regolato dalle norme vigenti.

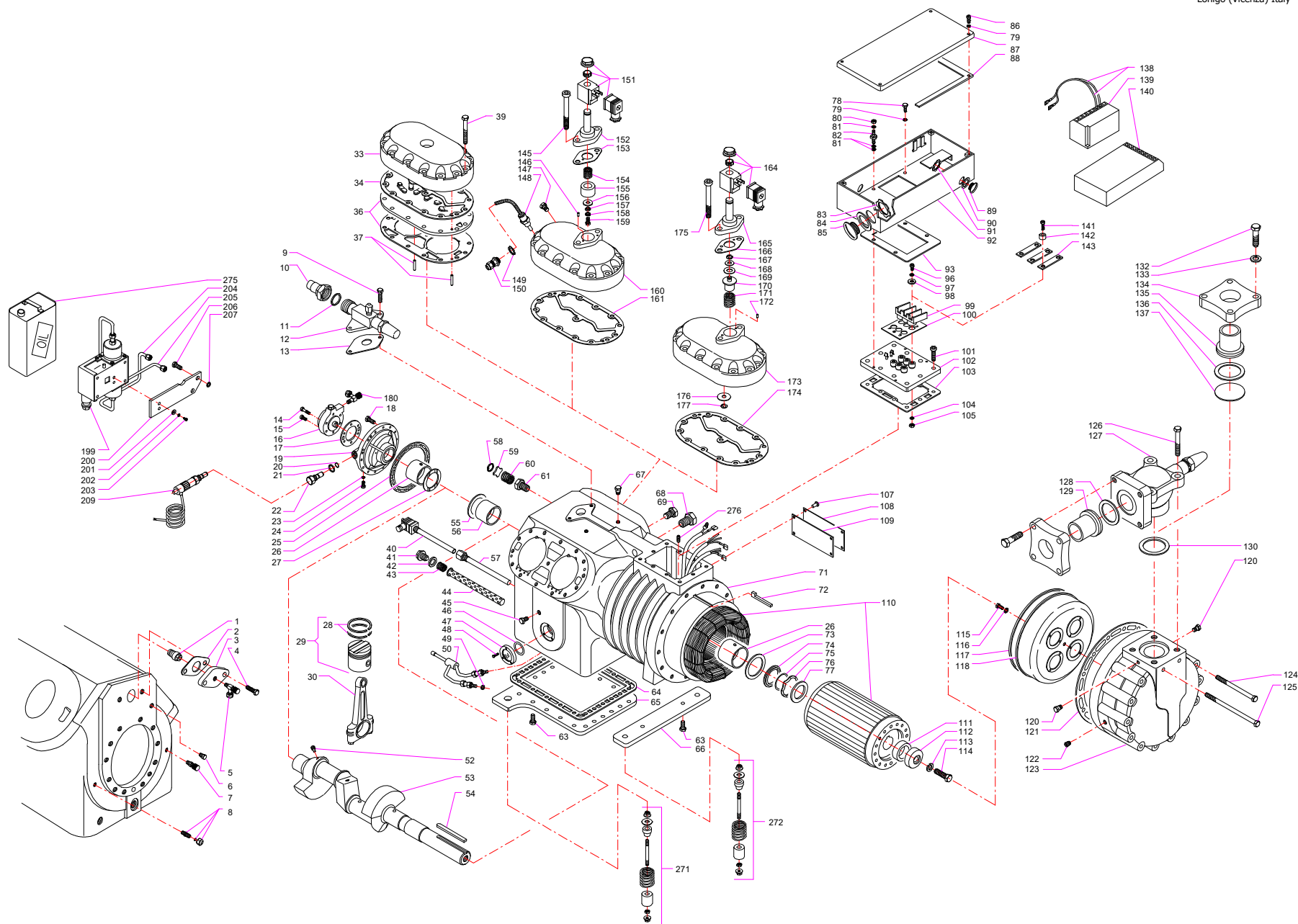
ATTENTION: the present drawing is exclusively ownership of REFCOMP. Is forbidden to reproduce and to disclose, even if partially, the present document in conformity to law regulation in force.

Pos	Code	Description	Serial number	Note	Q.ty
275	303239	Tank oil kit 5Lt 'SD22-13'			1
5	500261	Tee-piece union 1/8"NPT-1/4"-1/4"SAE			1
8	500262	Straight connection 1/8"NPT-1/4"SAE			1
7	500263	Straight connection 1/8"NPT-1/4"SAE			1
57	501030	Carter heater protector Ø10 'L' series			1
1	502650	Safety valve 30bar 3/4"NPT			1
135	511160	Bush Ø54			1
134	511170	Square flange l=78 Ø64			1
112	511480	Shaft washer			1
82	511510	Ground screw			1
135	513410	Bush Ø42			1
77	518160	Spacer Ø42.05xØ58x5			1
76	518170	Shaft seal spring			1
74	518180	Shaft seal ring Ø45			1
66	518420	Compressor supporting plate			1
41	518500	Magnetic plug M26x1.5			1
43	518510	Oil filter spring 'SP' series			1
3	518520	Oavl plate discharge side l=66 'SP' series			1
65	518660	Lower closing plate 'SP' series			1
111	518912	Spacer Ø42.1xØ59x15			1
6	519143	Plug 1/8" NPT			1
67	519143	Plug 1/8" NPT			2
120	519143	Plug 1/8" NPT			2
137	520190	Suction closing plate Ø82			1
71	533200	Crankcase Ø65 'P4' series			1
71	533210	Crankcase Ø70 'P4' series			1
71	533220	Crankcase Ø75 'P4' series			1
71	533230	Crankcase Ø82 'P4' series			1
123	533240	Suction cover			1
73	550430	Shaft seal of thrust washer Ø45			1
138	580420	Electrical wire L=190			2
139	581250	Motor protection device INT69VS 230V			1
139	581900	Motor protection device INT69VS 110V			1
139	581910	Motor protection device INT69VS 24V AC			1
110	582960	Electric motor 400V/3/50Hz			1
110	582970	Electric motor 400V/3/50Hz			1
40	583000	Crankcase heater 230V 150W Ø10			1
40	583010	Crankcase heater 110V 150W Ø10			1
40	583020	Crankcase heater 24V 150W Ø10			1
110	583140	Electric motor 230V/3/60Hz PW			1
110	583160	Electric motor 230V/3/60Hz PW			1
110	583272	Electric motor 400V/3/50Hz PW			1
110	583273	Electric motor 400V/3/50Hz PW			1
110	583293	Electric motor 230V/3/60Hz PW			1
110	583294	Electric motor 230V/3/60Hz PW			1
110	583315	Electric motor 380V/3/60Hz PW			1

**SP4L1500 > 2500 - SP4H2200 > 3500**

[www.refcomp.it](http://www.refcomp.it)  
[spareparts@refcomp.it](mailto:spareparts@refcomp.it)

# Model: "SP4" Series



**SP4L1500 > 2500 - SP4H2200 > 3500**

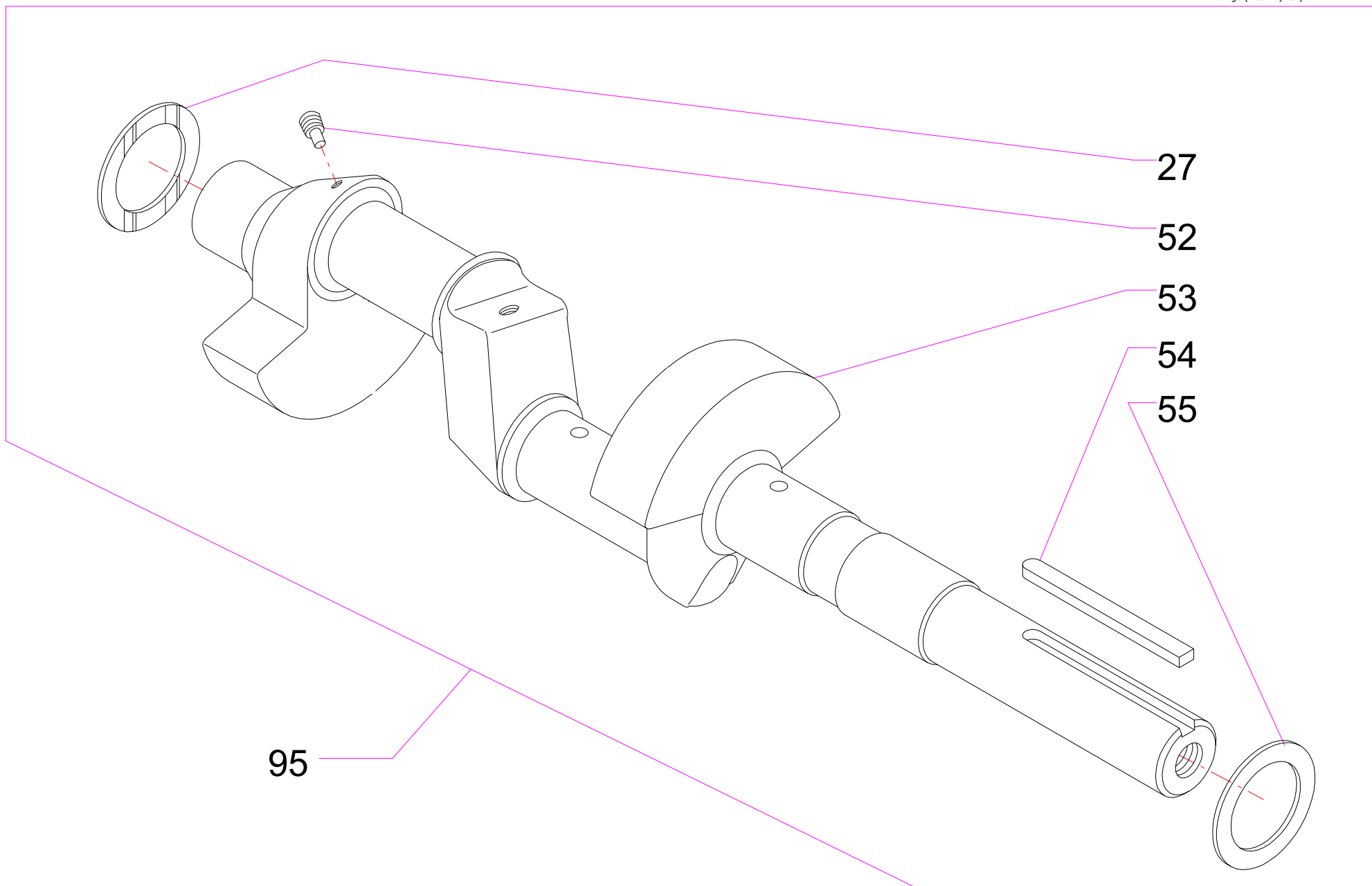
ATTENZIONE: il presente disegno è di esclusiva proprietà REFCOMP. E' fatto divieto di riproduzione e di divulgazione anche parziale secondo quanto regolato dalle norme vigenti.

ATTENTION: the present drawing is exclusively ownership of REFCOMP. Is forbidden to reproduce and to disclose, even if partially, the present document in conformity to law regulation in force.

Pos	Code	Description	Serial number	Note	Q.ty
110	583316	Electric motor 380V/3/60Hz PW			1
110	583317	Electric motor 380V/3/60Hz PW			1
110	583318	Electric motor 380V/3/60Hz PW			1
110	583331	Electric motor 400V/3/50Hz Y/D			1
110	583332	Electric motor 400V/3/50Hz Y/D			1
110	583333	Electric motor 400V/3/50Hz Y/D			1
110	583334	Electric motor 400V/3/50Hz Y/D			1
108	585010	Data compressor nameplate P.W.			1
109	585430	Data compressor nameplate Y/D			1
136	590260	Shut-off valve gasket Ø65xØ82x1			1
121	592520	Suction cover gasket Ø285x1			1
2	592540	Oval flange gasket l=66			1
64	592660	Lower plate gasket			1
275	600140	Oil tank 5Lt 'RL68H'			1
275	600220	Oil tank 5Lt 'RL32H'			1
122	610680	Plug 1/8"NPT			1
80	610790	Galvanized nut M6			1
133	610940	Galvanized grower washer M16			4
113	610940	Galvanized grower washer M16			1
81	611010	Plane washer Ø6x14x1.5			3
48	611150	Galvanized screw M6x14			3
15	611190	Screw M8x20			6
14	611310	Screw M8x40			2
101	611330	Galvanized screw M10x20			10
63	611370	Screw M10x30			26
4	611370	Screw M10x30			2
18	611370	Screw M10x30			10
39	611380	Screw M10x70			30
114	611600	Screw M16x50			1
132	611620	Galvanized screw M16x60			4
114	611630	Screw M16x55			1
126	611640	Galvanized screw M16x100			4
9	612850	Galvanized screw M10x30			2
114	614140	Screw M16x70			1
72	614240	Nib key 5x5x55			1
124	614250	Galvanized screw M12x150			10
125	614260	Galvanized screw M12x180			2
276	614290	Grub screw M10x16			1
107	620010	Steel rivet Ø2.9x6.5			4
150	691000	Gland PG 9			1
75	691040	O-ring OR3175			1
149	691060	Plastic nut PG 9			1
209	760490	Oil differential kriwan 230V M20x1.5			1
209	760491	Oil differential kriwan 230V M20x1.5		Old item, replaced with 760491	1
140	760500	Motor protection device INT390 230V 50/60Hz			1
148	760502	Sensor probe PTC/140°			1

**SP4L1500 > 2500 - SP4H2200 > 3500**

[www.refcomp.it](http://www.refcomp.it)  
[spareparts@refcomp.it](mailto:spareparts@refcomp.it)

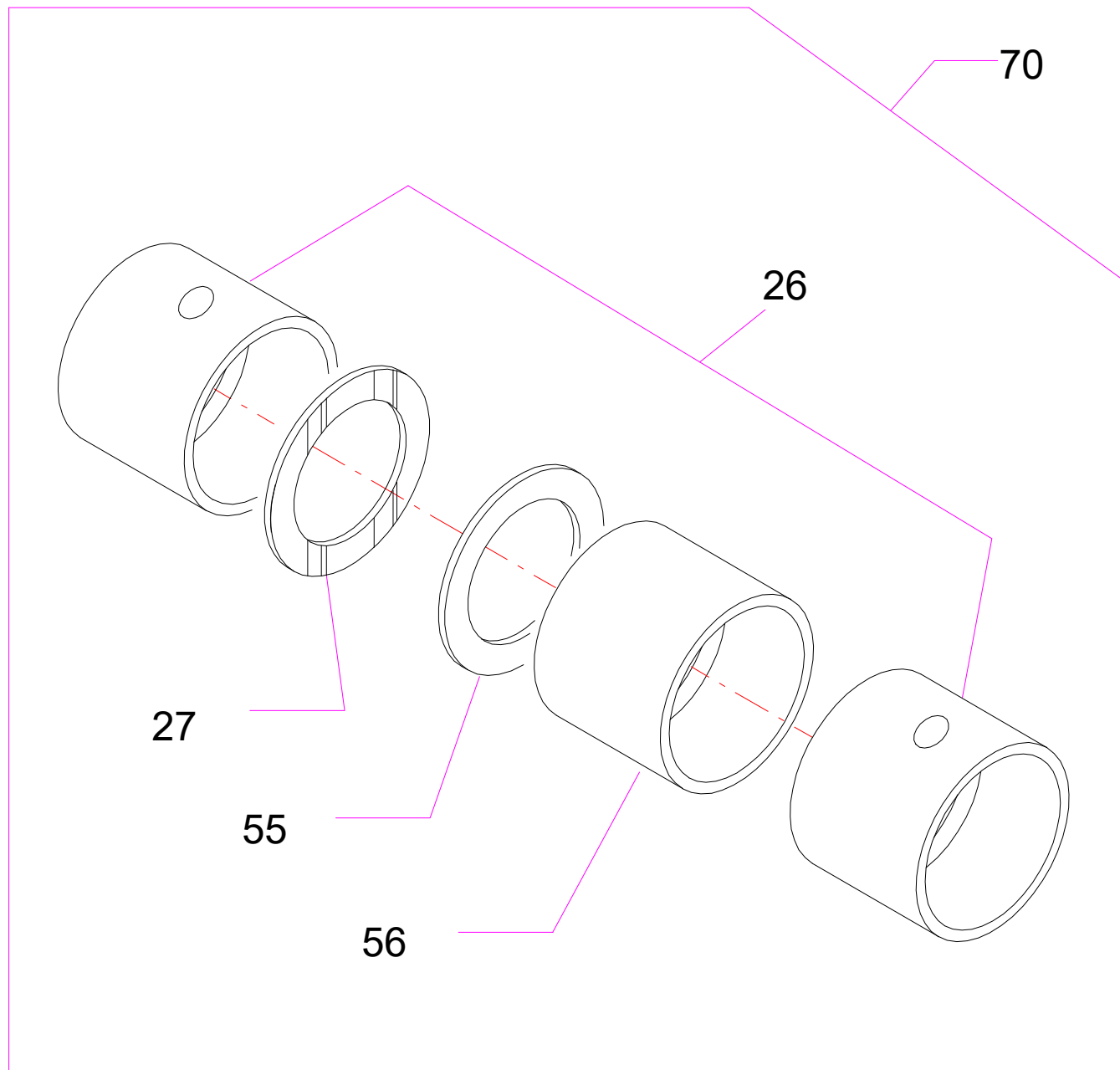


## Crankshaft

ATTENZIONE: il presente disegno è di esclusiva proprietà REFCOMP.  
E' fatto divieto di riproduzione e di divulgazione anche parziale secondo  
quanto regolato dalle norme vigenti.

ATTENTION: the present drawing is exclusively ownership of REFCOMP.  
Is forbidden to reproduce and to disclose, even if partialy, the present  
document in conformity to law regulation in force.

Pos	Code	Description	Serial number	Note	Q.ty
95	303214	Crankshaft kit Ø45x56 'P4' series			1
95	303215	Crankshaft kit Ø45x56 'P4' series			1
52	518810	Magnetic plug M8x10 'SP' series			2
53	533190	Crankshaft Ø45x56 'P4' series			1
53	533680	Crankshaft Ø45x56 'P4' series			1
54	612450	Key 12x8x100			1



### Brush - Thrust washer

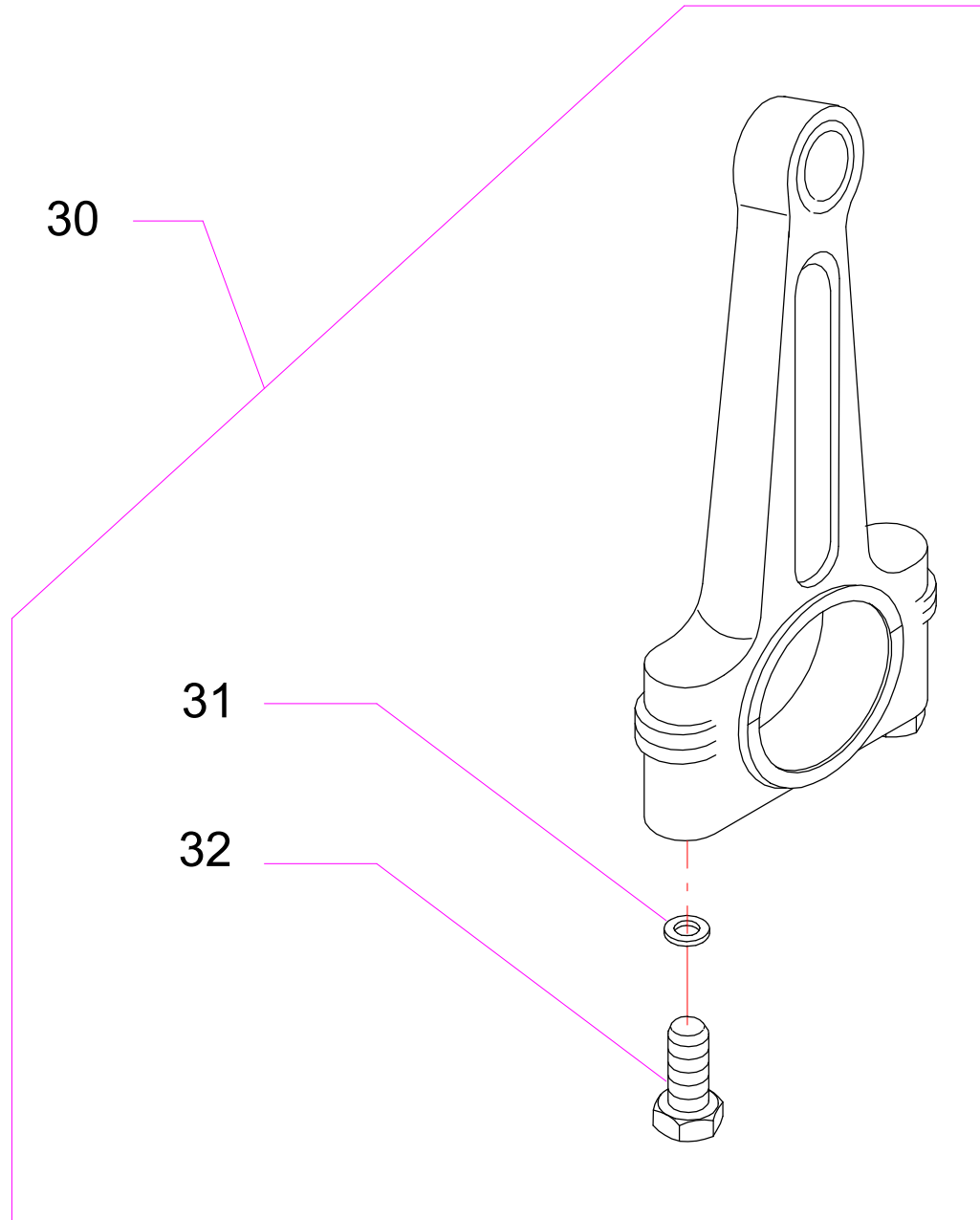
ATTENZIONE: il presente disegno è di esclusiva proprietà REFCOMP. E' fatto divieto di riproduzione e di divulgazione anche parziale secondo quanto regolato dalle norme vigenti.

ATTENTION: the present drawing is exclusively ownership of REFCOMP. Is forbidden to reproduce and to disclose, even if partialy, the present document in conformity to law regulation in force.

Pos	Code	Description	Serial number	Note	Q.ty
70	303219	Bushing kit 'P' series			1
55	550430	Shaft seal of thrust washer Ø45			1
27	550440	Thrust washer pump side Ø45			1
56	550450	Bushing Ø45xØ50x47.5			1
26	550451	Bushing Ø45xØ50x47.5			2



Model: SP4L1500 > 2500 - SP4H2200 > 3500



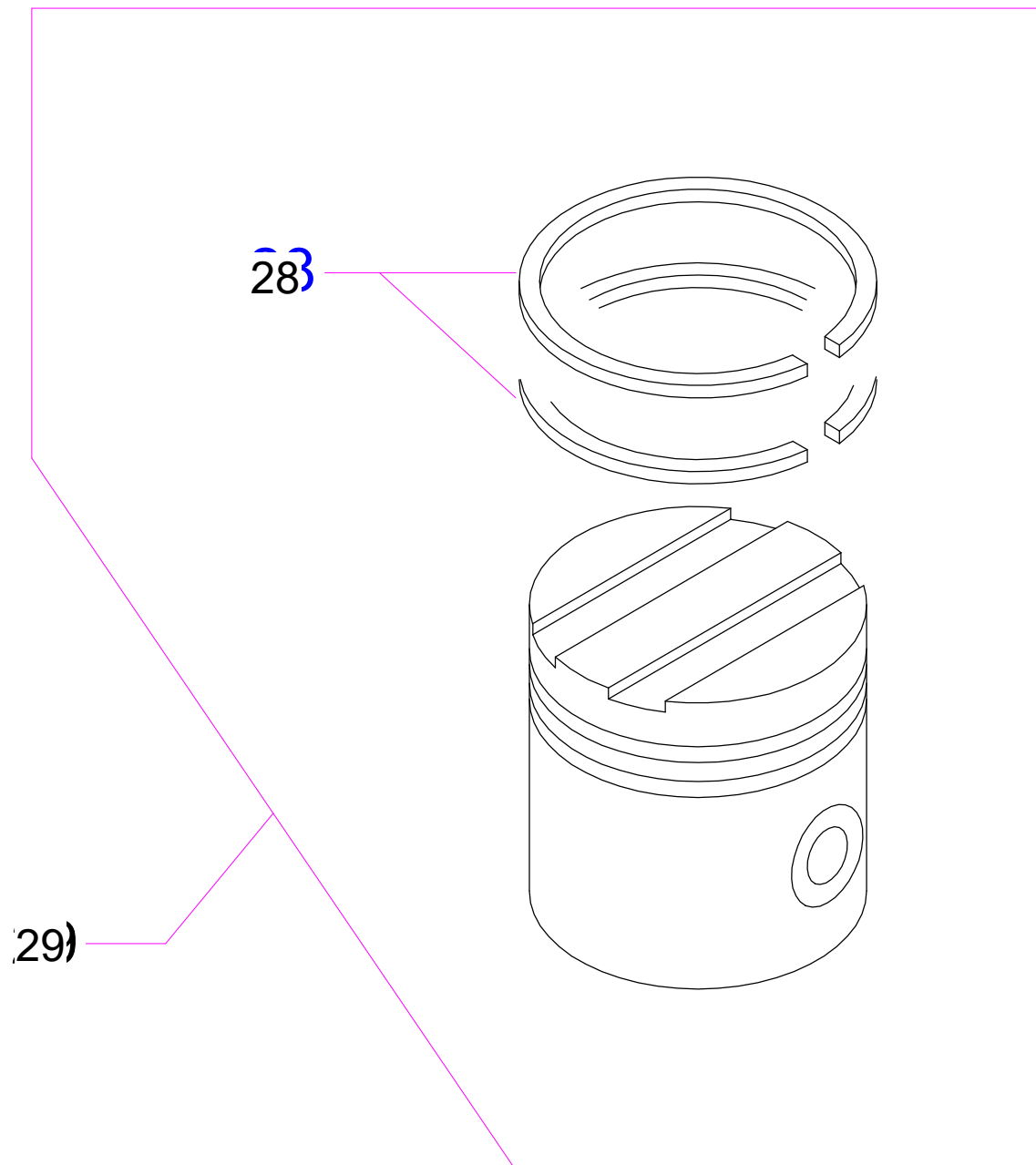
## Connecting rod

ATTENZIONE: il presente disegno è di esclusiva proprietà REFCOMP.  
E' fatto divieto di riproduzione e di divulgazione anche parziale secondo  
quanto regolato dalle norme vigenti.

ATTENTION: the present drawing is exclusively ownership of REFCOMP.  
Is forbidden to reproduce and to disclose, even if partialy, the present  
document in conformity to law regulation in force.

Pos	Code	Description	Serial number	Note	Q.ty
30	303204	Connecting rod kit Ø45x113 'P/SB' series			4
32	613430	Screw M8x45			8
31	614160	Conical washer Ø8.4xØ18x2			8

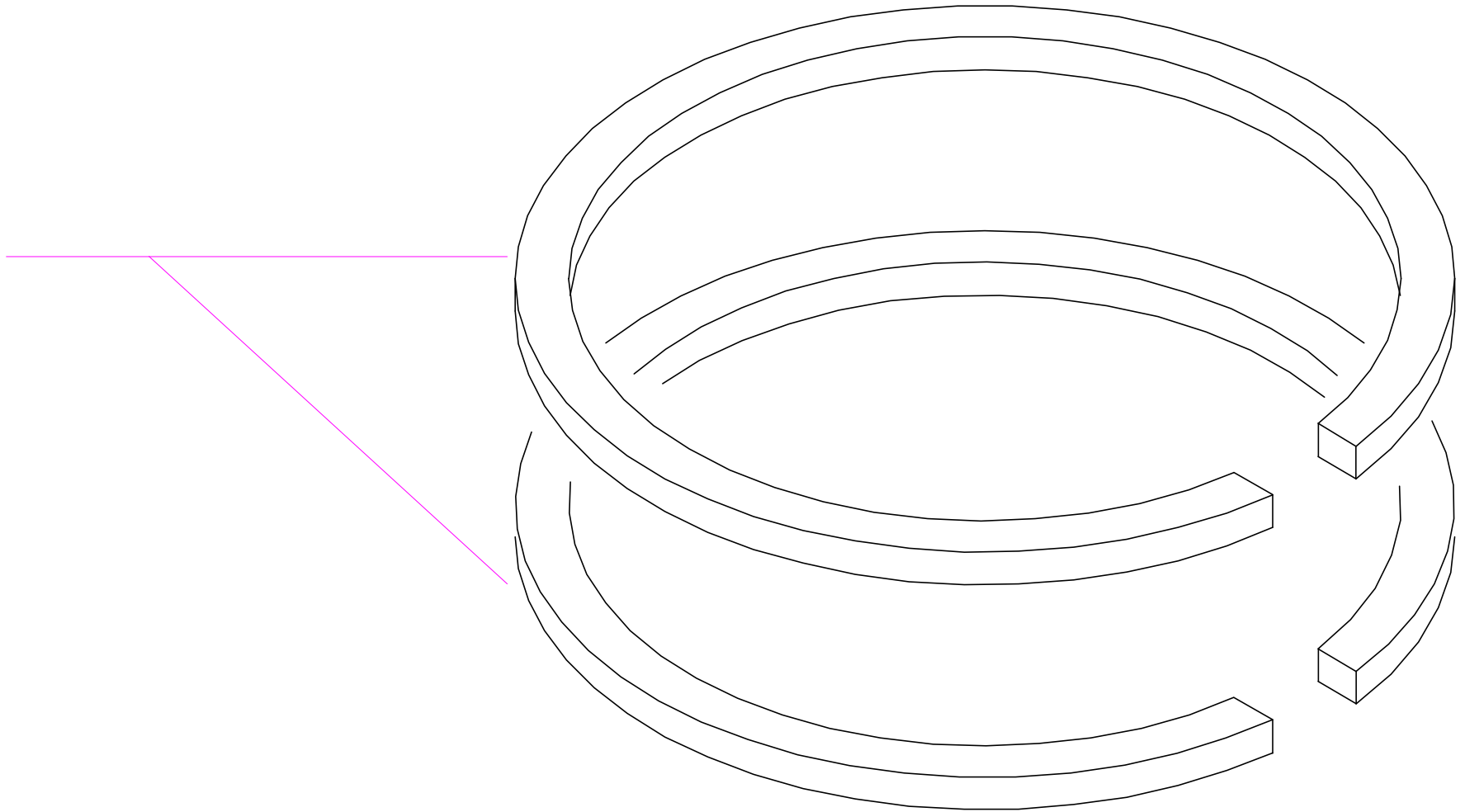
**Connecting rod**



## Piston

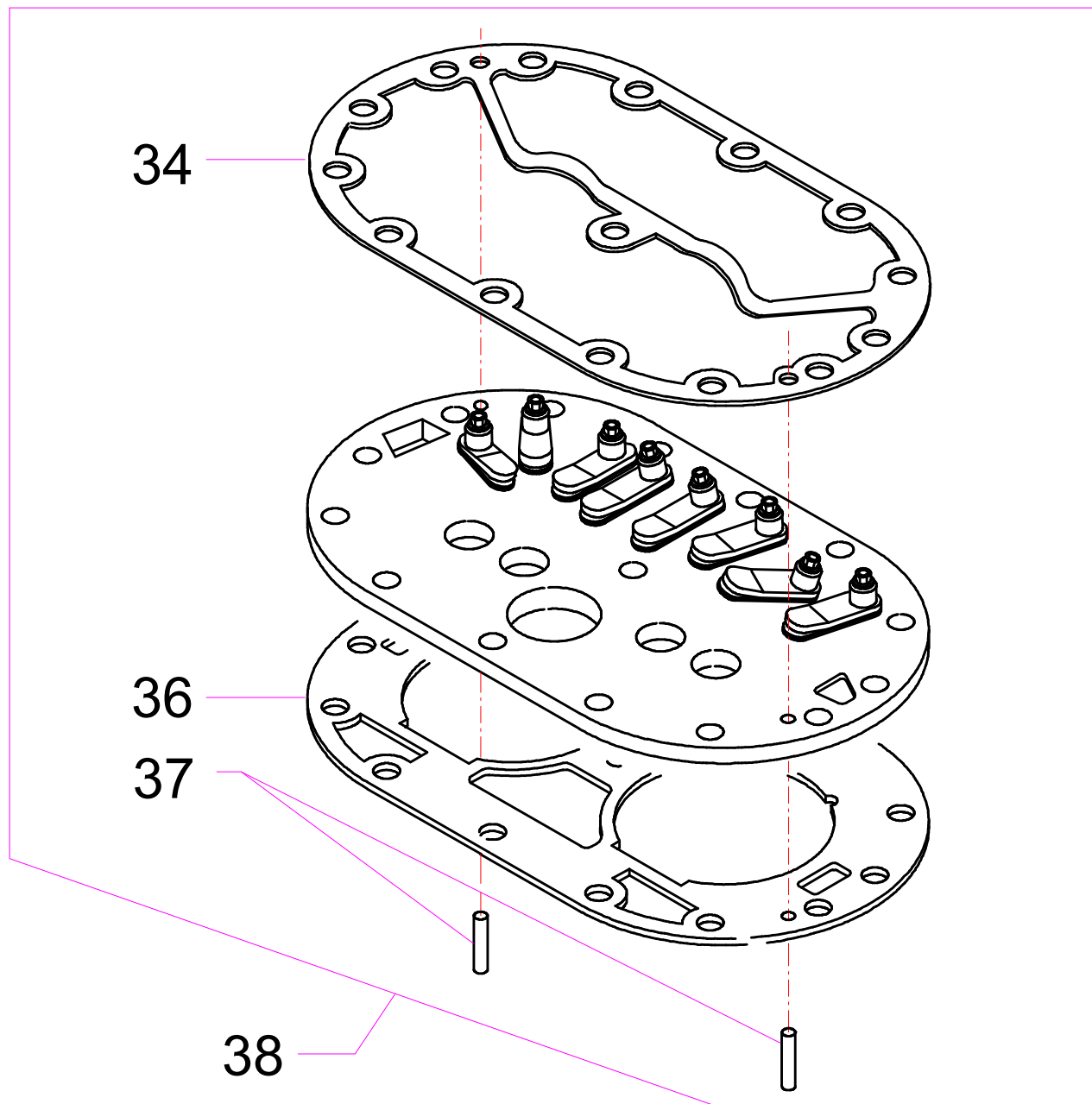
Pos	Code	Description	Serial number	Note	Q.ty
29	303205	Piston kit Ø65 'P/SB' series			4
29	303206	Piston kit Ø70 'P/SB' series			4
29	303207	Piston kit Ø75 'P/SB' series			4
29	303208	Piston kit Ø82 'P/SB' series			4

28



**Compression ring**

Pos	Code	Description	Serial number	Note	Q.ty
28	303209	Compression ring piston kit Ø65x1.5 'P/SB' series			4
28	303210	Compression ring piston kit Ø70x1.5 'P/SB' series			4
28	303211	Compression ring piston kit Ø75 'P/SB' series			4
28	303212	Compression ring piston kit Ø82 'P/SB' series			4



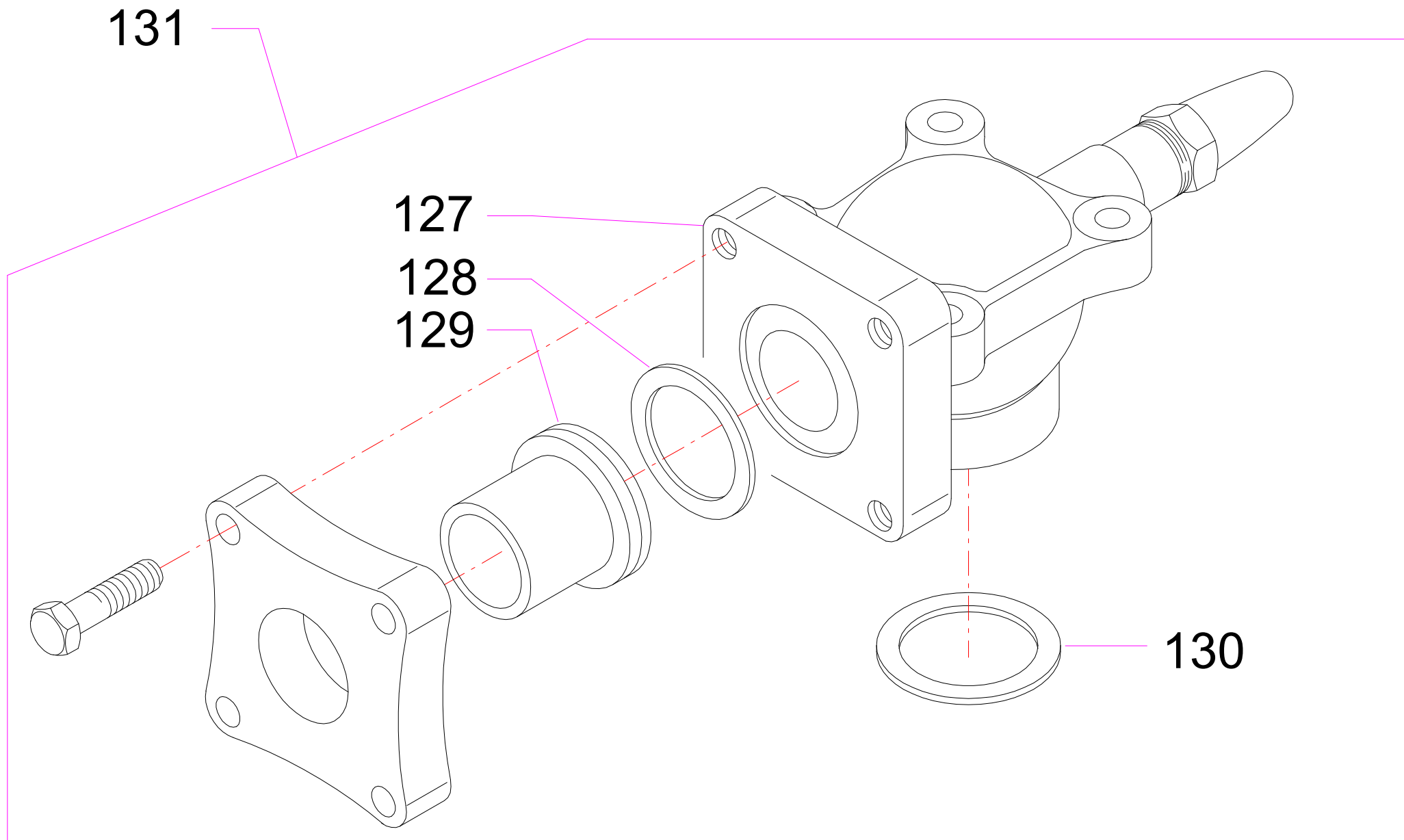
### Suction-discharge valve plate

ATTENZIONE: il presente disegno è di esclusiva proprietà REFCOMP.  
E' fatto divieto di riproduzione e di divulgazione anche parziale secondo  
quanto regolato dalle norme vigenti.

ATTENTION: the present drawing is exclusively ownership of REFCOMP.  
Is forbidden to reproduce and to disclose, even if partially, the present  
document in conformity to law regulation in force.

Pos	Code	Description	Serial number	Note	Q.ty
38	303194	Charge/discharge plate kit Ø65/70 'SP' series			2
38	303195	Charge/discharge plate kit Ø75 'SP' series			2
38	303196	Charge/discharge plate kit Ø82 'SP' series			2
36	592580	Lower plate gasket Ø70			2
36	592590	Lower plate gasket Ø75			2
36	592600	Lower plate gasket Ø82			2
34	592610	Upper gasket cylinderhaed 'SP/SB' series			2
37	614360	Cylindrical pin Ø6x24			4





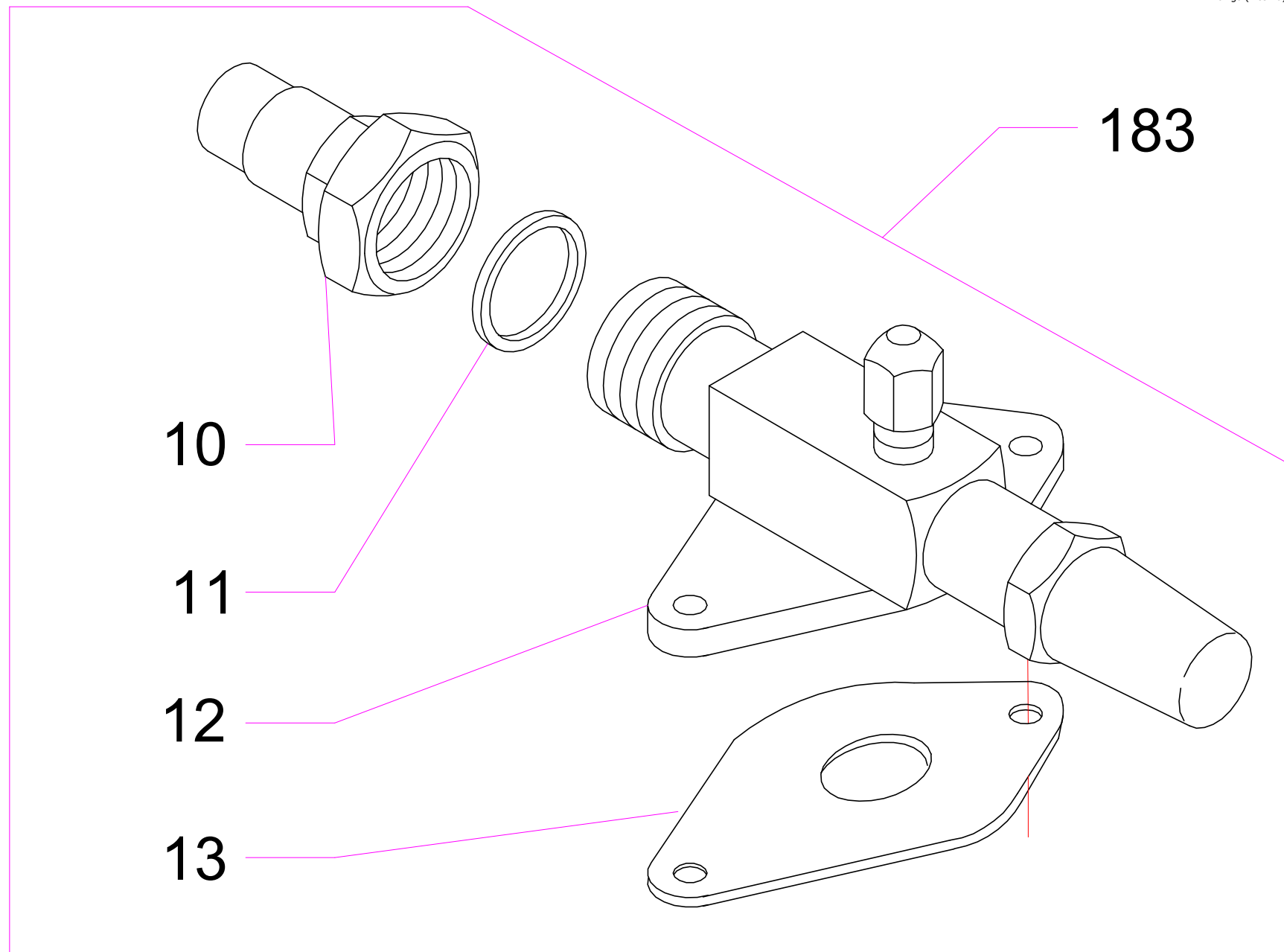
### Suction shut-off valve

ATTENZIONE: il presente disegno è di esclusiva proprietà REFCOMP.  
E' fatto divieto di riproduzione e di divulgazione anche parziale secondo  
quanto regolato dalle norme vigenti.

ATTENTION: the present drawing is exclusively ownership of REFCOMP.  
Is forbidden to reproduce and to disclose, even if partially, the present  
document in conformity to law regulation in force.

Pos	Code	Description	Serial number	Note	Q.ty
131	301630	Shut-off valve kit l=77.8 Ø54			1
131	303222	Shut-off valve kit l=77.8 Ø42 'P' series			1
127	500190	Shut-off valve l=78			1
129	513470	Bush Ø54			1
129	514020	Bush Ø42			1
130	590260	Shut-off valve gasket Ø65xØ82x1			1
128	591120	Shut-off valve gasket Ø59xØ72.5x1			1

**Suction shut-off valve**

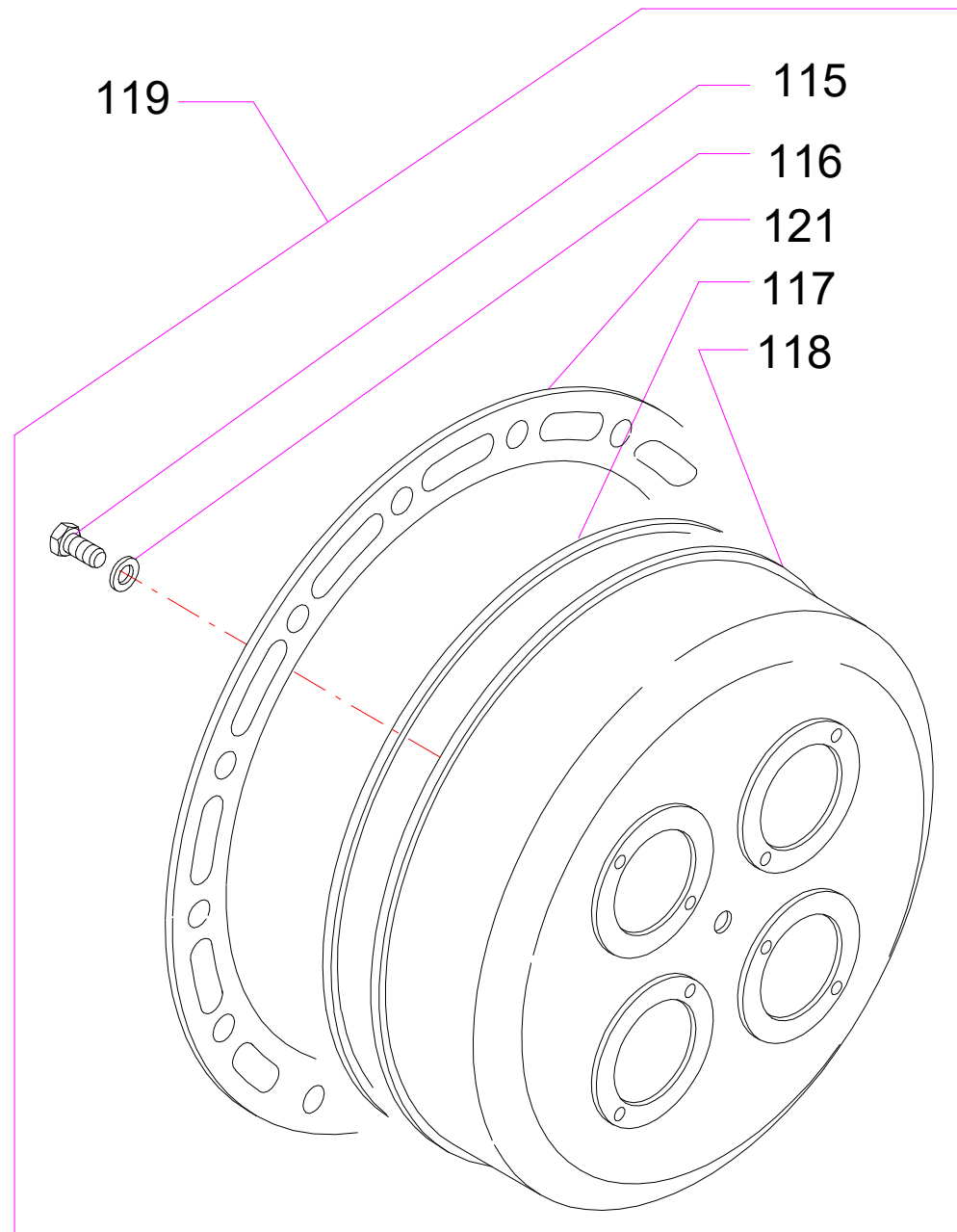


**Discharge shut-off valve**

Pos	Code	Description	Serial number	Note	Q.ty
183	303231	Shut-off valve kit l=66 Ø28 'P' series			1
12	502680	Oval flange shut-off l=66 1"3/4			1
11	591020	Shut-off valve gasket Ø35xØ38.1x1.5			1
13	592540	Oval flange gasket l=66			1
10	614370	Rotaloc connection 1"3/4 - 1"1/8			1

**Discharge shut-off valve**

Model: SP4L1500 > 2500 - SP4H2200 > 3500

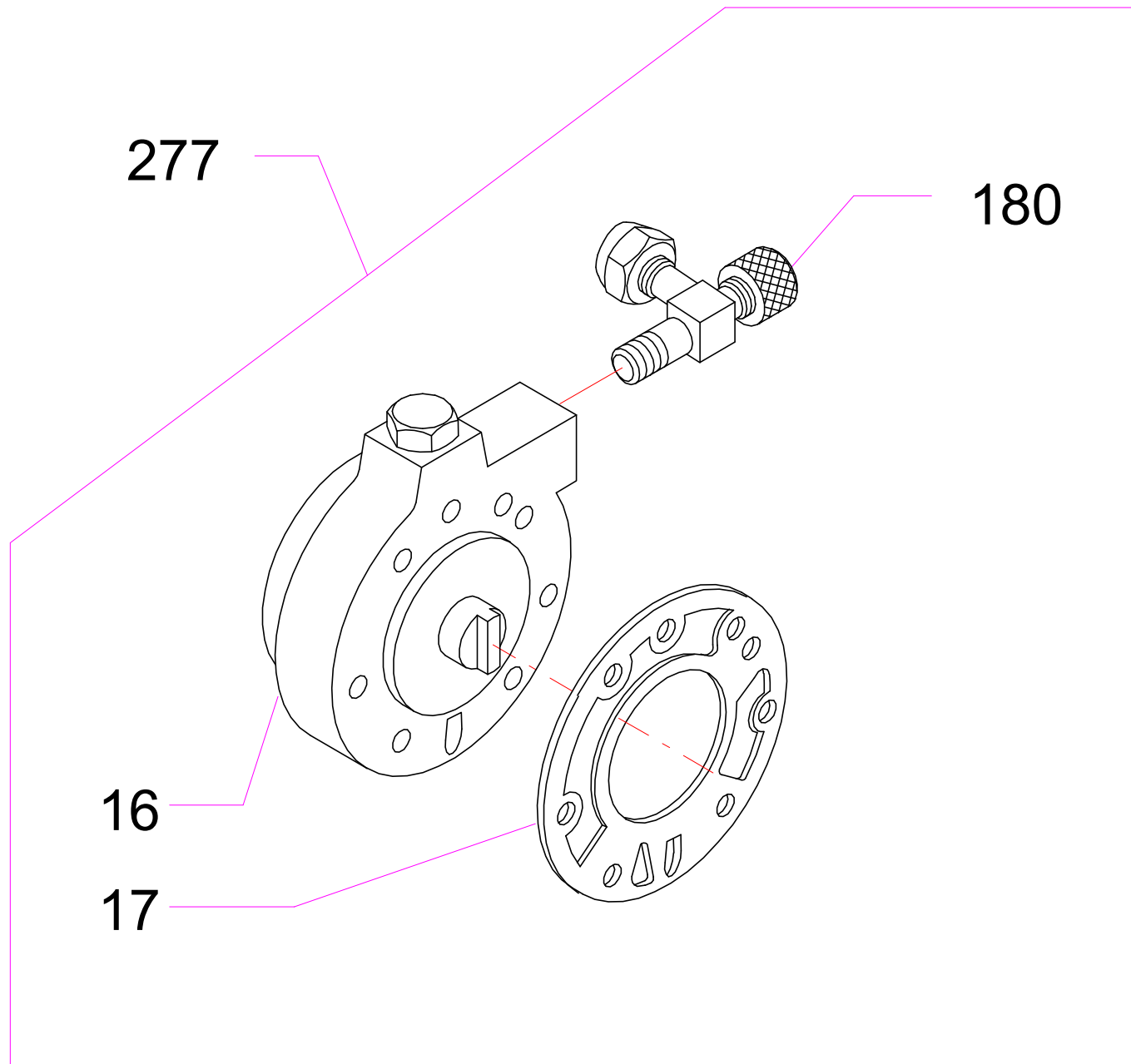


## Suction strainer

ATTENZIONE: il presente disegno è di esclusiva proprietà REFCOMP.  
E' fatto divieto di riproduzione e di divulgazione anche parziale secondo  
quanto regolato dalle norme vigenti.

ATTENTION: the present drawing is exclusively ownership of REFCOMP.  
Is forbidden to reproduce and to disclose, even if partially, the present  
document in conformity to law regulation in force.

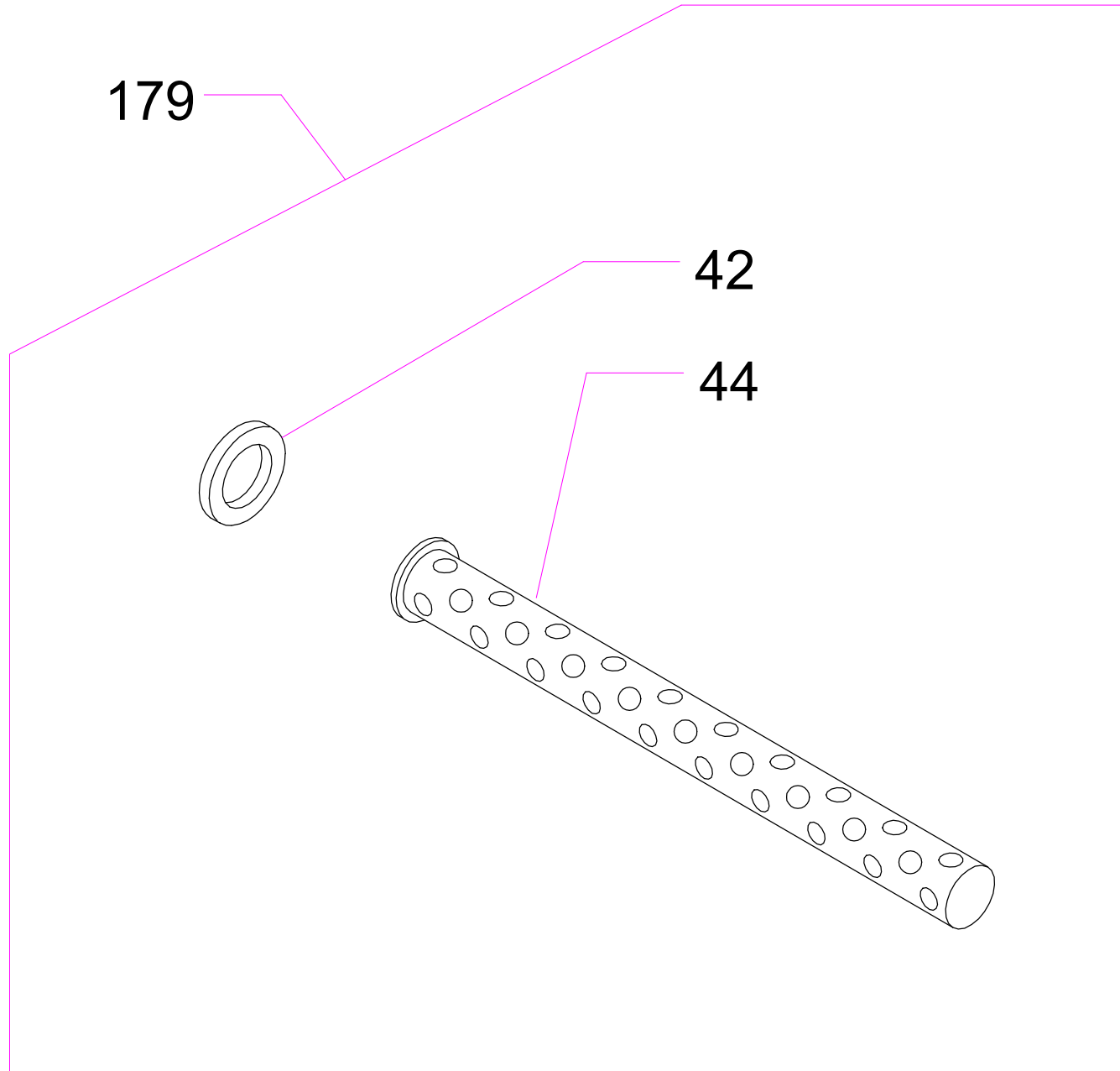
Pos	Code	Description	Serial number	Note	Q.ty
119	303177	Suction filter kit			1
118	502926	Suction filter Ø223x60			1
121	592520	Suction cover gasket Ø285x1			1
116	611000	Plane washer Ø8x17x1.6			1
115	614150	Screw M8x10			1
117	614270	Seeger ring			1



## Oil pump

Pos	Code	Description	Serial number	Note	Q.ty
277	300840	Pump complete kit 'L' series			1
180	500261	Tee-piece union 1/8"NPT-1/4"-1/4"SAE			1
16	500950	Oil pump 'L/P/SB' series			1
17	590740	Oil pump gasket			1



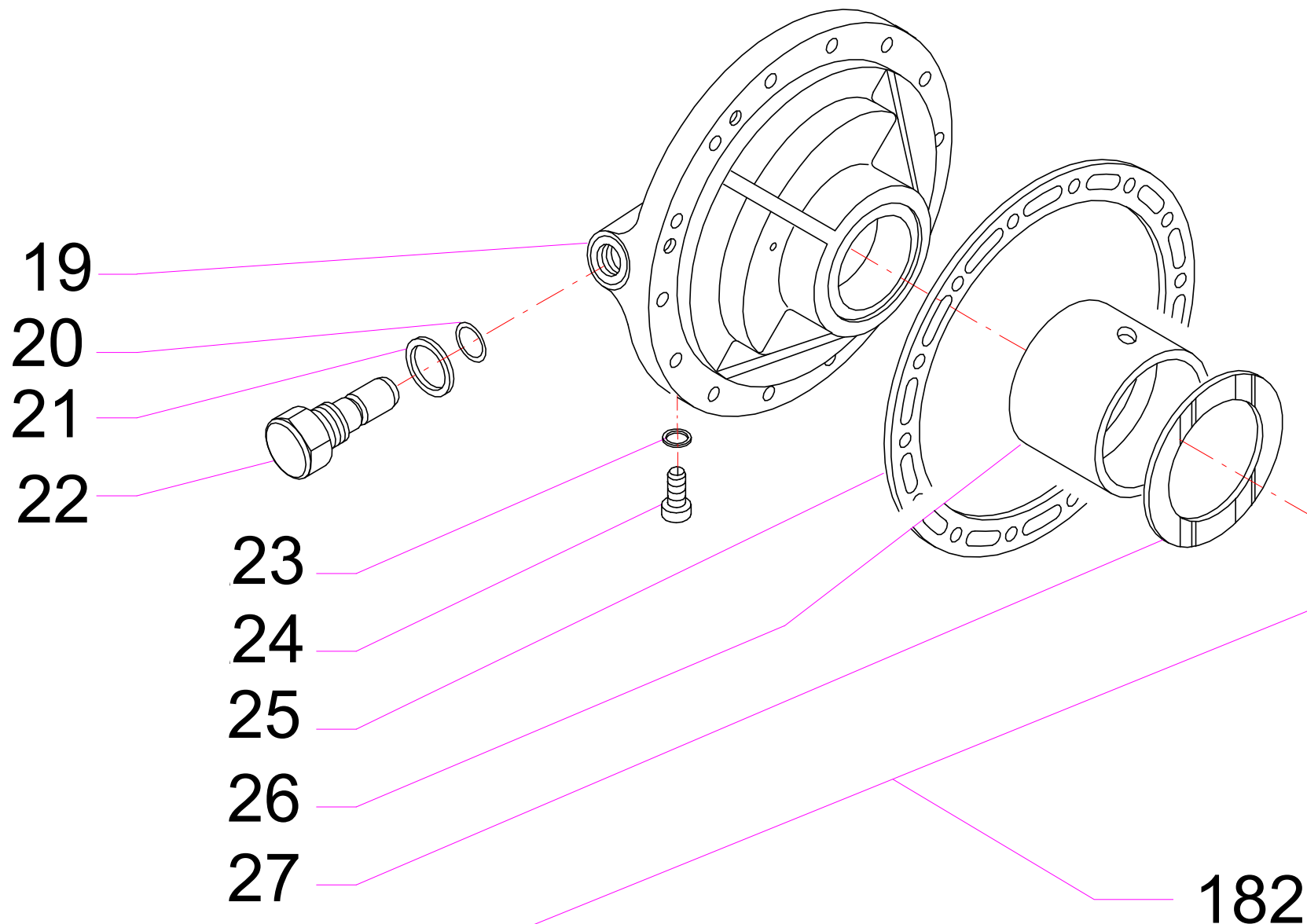


## Oil strainer

ATTENZIONE: il presente disegno è di esclusiva proprietà REFCOMP.  
E' fatto divieto di riproduzione e di divulgazione anche parziale secondo  
quanto regolato dalle norme vigenti.

ATTENTION: the present drawing is exclusively ownership of REFCOMP.  
Is forbidden to reproduce and to disclose, even if partialy, the present  
document in conformity to law regulation in force.

Pos	Code	Description	Serial number	Note	Q.ty
179	303199	Oil filter kit 'SP' series			1
44	518530	Oil filter 'SP' series			1
42	613840	Aluminium washer Ø26.5xØ32x1.5			1



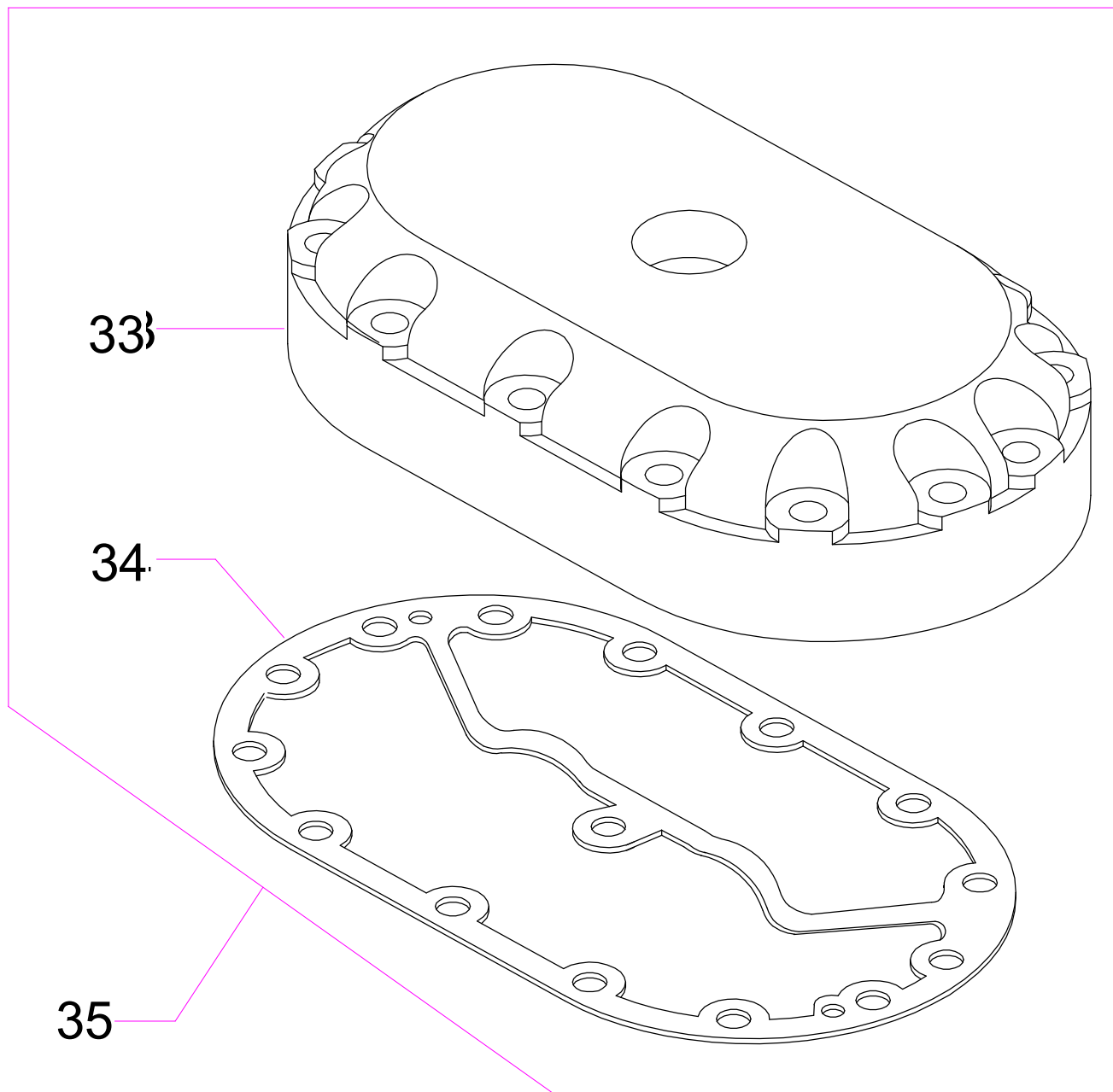
**Oil pump support**

ATTENZIONE: il presente disegno è di esclusiva proprietà REFCOMP. E' fatto divieto di riproduzione e di divulgazione anche parziale secondo quanto regolato dalle norme vigenti.

ATTENTION: the present drawing is exclusively ownership of REFCOMP. Is forbidden to reproduce and to disclose, even if partially, the present document in conformity to law regulation in force.

Pos	Code	Description	Serial number	Note	Q.ty
182	303230	Oil pump support kit 'P' series			1
22	518670	Differential plug of oil pump support 'SP' series			1
19	533271	Oil pump support Ø45			1
25	592530	Oil pump support gasket Ø189x1			1
24	614150	Screw M8x10			1
21	620090	Alluminium plane washer Ø20.5xØ24x1.5			1
23	620100	Alluminium plane washer Ø8xØ14x1.5			1
20	690190	O-ring OR2043			1

Model: SP4L1500 > 2500 - SP4H2200 > 3500

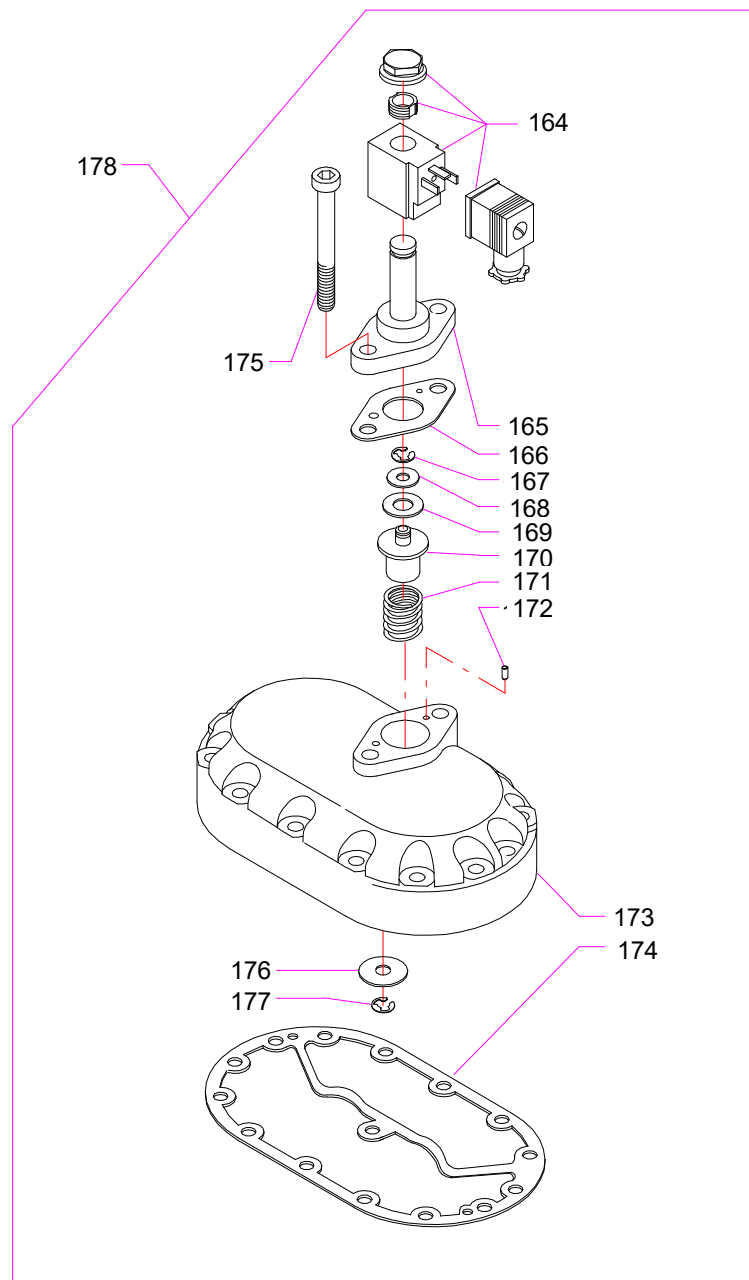


## Standard head

ATTENZIONE: il presente disegno è di esclusiva proprietà REFCOMP.  
E' fatto divieto di riproduzione e di divulgazione anche parziale secondo  
quanto regolato dalle norme vigenti.

ATTENTION: the present drawing is exclusively ownership of REFCOMP.  
Is forbidden to reproduce and to disclose, even if partialy, the present  
document in conformity to law regulation in force.

Pos	Code	Description	Serial number	Note	Q.ty
35	303141	Standard cylinderhead kit 'SP' series			2
33	533250	Standard cylinderhead 'SP' series			2
34	592610	Upper gasket cylinderhead 'SP/SB' series			2



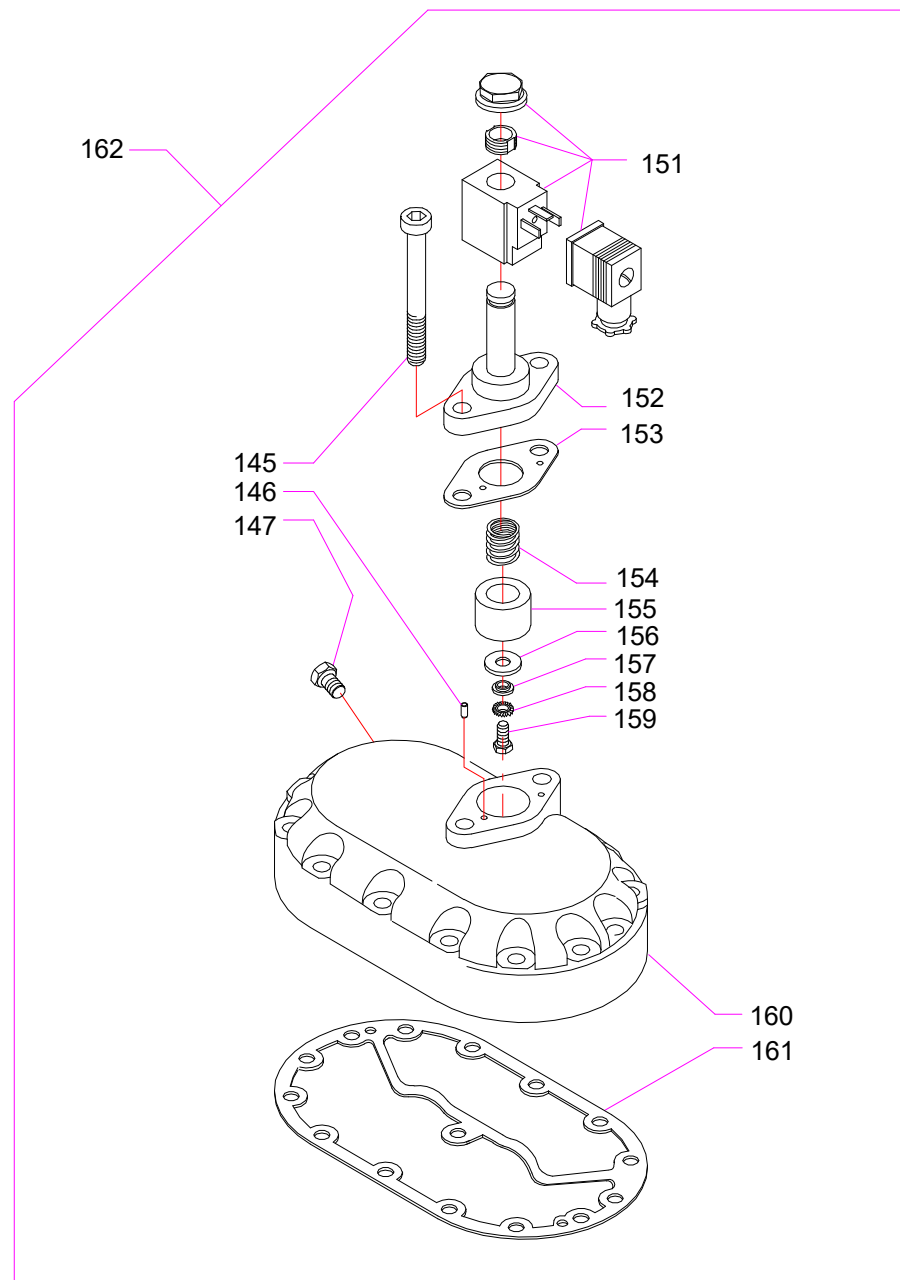
## Capacity control cylinderhead

ATTENZIONE: il presente disegno è di esclusiva proprietà REFCOMP.  
E' fatto divieto di riproduzione e di divulgazione anche parziale secondo  
quanto regolato dalle norme vigenti.

ATTENTION: the present drawing is exclusively ownership of REFCOMP.  
Is forbidden to reproduce and to disclose, even if partially, the present  
document in conformity to law regulation in force.

Pos	Code	Description	Serial number	Note	Q.ty
178	303135	Capacity control cylinderhead kit 230V 50/60Hz 'SP' series			1
178	303136	Capacity control cylinderhead kit 110V 50/60Hz 'SP' series			1
178	303137	Capacity control cylinderhead kit 24V 50/60Hz 'SP' series			1
173	502916	Capacity control cylinderhead 'SP' series			1
170	518340	Unloader piston			1
171	518350	Unloading piston spring			1
176	518360	Suction closing plate unloader piston			1
168	518370	Unloading piston stopper disk			1
169	592500	Seal ring unloader piston			1
174	592610	Upper gasket cylinderhead 'SP/SB' series			1
175	611400	Screw M10x110			2
172	611920	Cylindrical pin Ø3x10			1
177	614230	Seeger			1
167	614230	Seeger			1





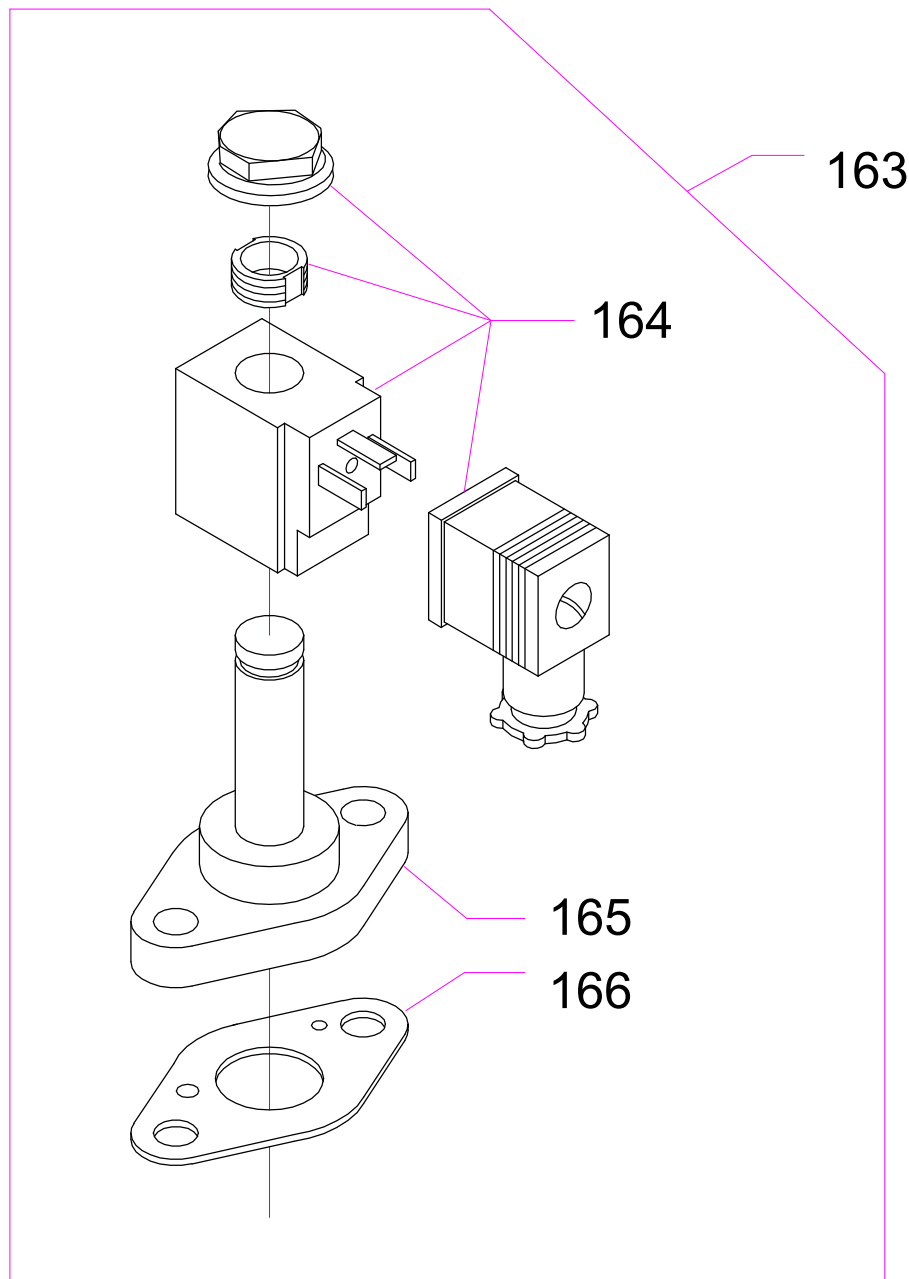
## Start unloader head

ATTENZIONE: il presente disegno è di esclusiva proprietà REFCOMP. E' fatto divieto di riproduzione e di divulgazione anche parziale secondo quanto regolato dalle norme vigenti.

ATTENTION: the present drawing is exclusively ownership of REFCOMP. Is forbidden to reproduce and to disclose, even if partially, the present document in conformity to law regulation in force.

Pos	Code	Description	Serial number	Note	Q.ty
162	303138	Unloader start cylinderhead kit 230V 50/60Hz 'SP' series			1
162	303139	Unloader start cylinderhead kit 110V 50/60Hz 'SP' series			1
162	303140	Unloader start cylinderhead kit 24V 50/60Hz 'SP' series			1
160	502917	Unloader start cylinderhead 'SP' series			1
155	518832	Unloader start piston 'SP' series			1
154	518833	Unloader start piston spring 'SP' series			1
157	518834	Unloading start stopper 'SP' series			1
147	519143	Plug 1/8" NPT			2
161	592610	Upper gasket cylinderhead 'SP/SB' series			1
156	592690	Unloading start piston seal			1
158	610880	Schnorr washer			1
145	611400	Screw M10x110			2
146	611920	Cylindrical pin Ø3x10			1
159	612780	Screw M6x12			1

**Start unloader head**

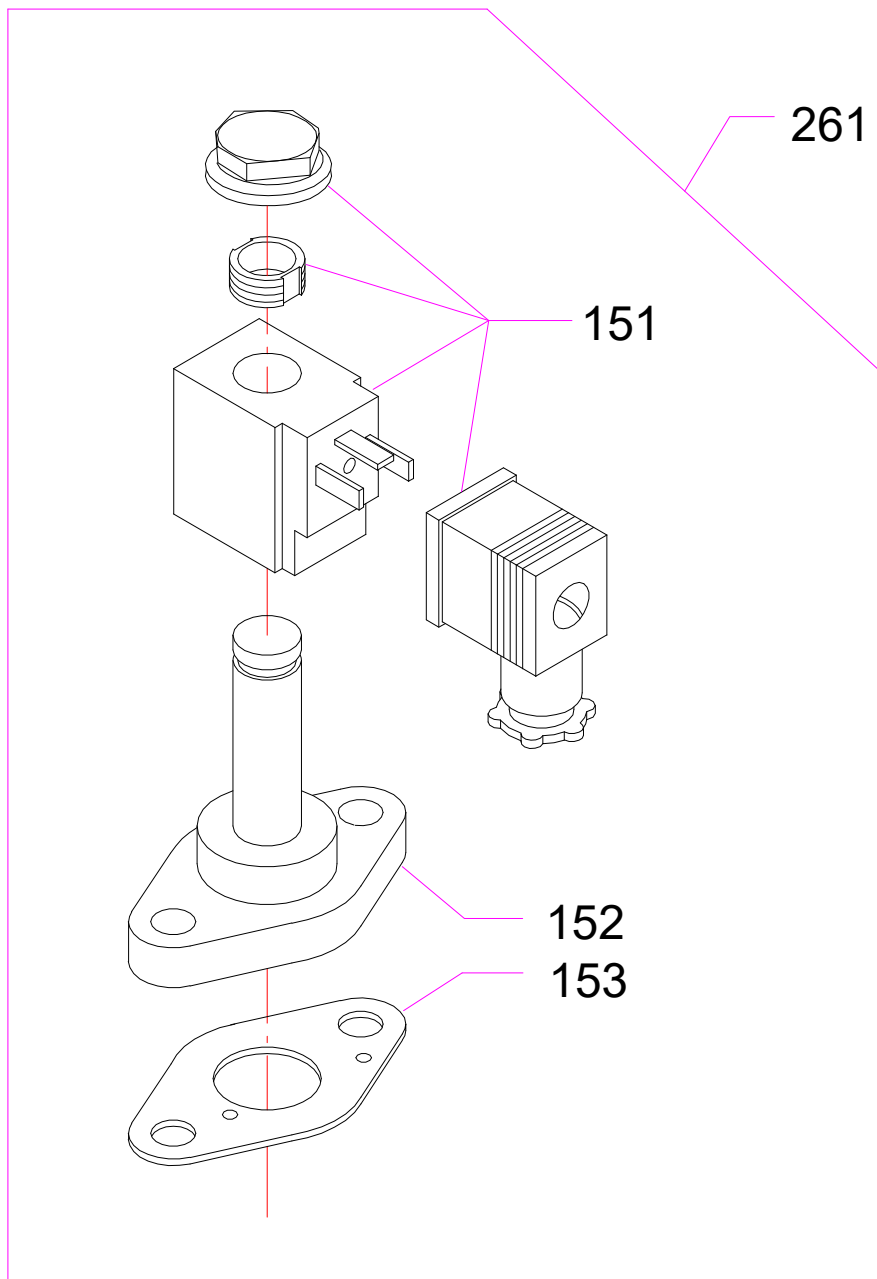


### Capacity control solenoid valve

ATTENZIONE: il presente disegno è di esclusiva proprietà REFCOMP. E' fatto divieto di riproduzione e di divulgazione anche parziale secondo quanto regolato dalle norme vigenti.

ATTENTION: the present drawing is exclusively ownership of REFCOMP. Is forbidden to reproduce and to disclose, even if partially, the present document in conformity to law regulation in force.

Pos	Code	Description	Serial number	Note	Q.ty
163	303226	Capacity solenoid valve kit 24V 'P' series			1
163	303227	Capacity solenoid valve kit 110V 'P' series			1
163	303228	Capacity solenoid valve kit 230V 'P' series			1
166	592620	Solenoid valve gasket l=66			1
164	760210	Coil 230V AC 50/60Hz			1
164	760220	Coil 110V 50/60Hz			1
164	760240	Coil 24V AC 50/60Hz			1
165	760480	Solenoid valve l=66 'CR'			1



### Start unloader solenoid valve

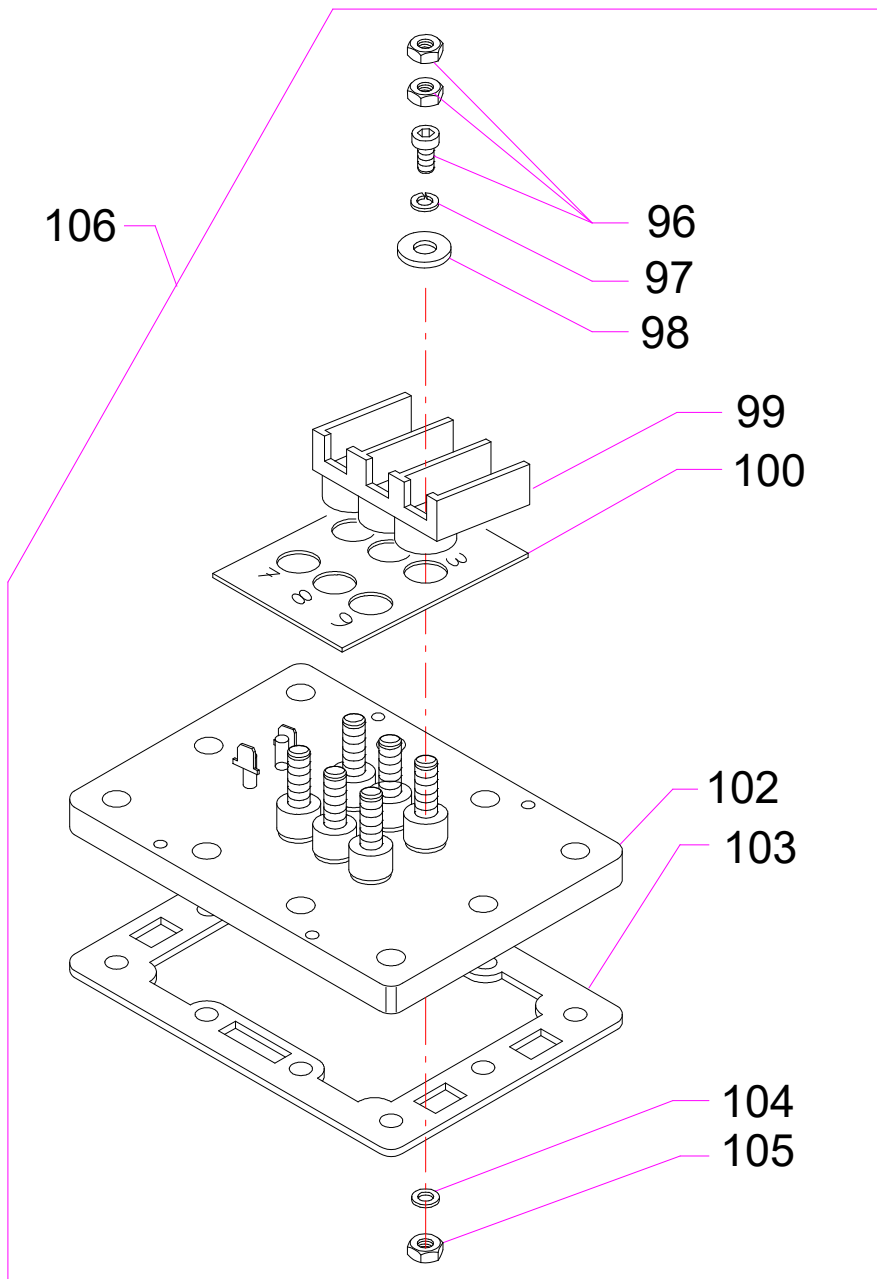
ATTENZIONE: il presente disegno è di esclusiva proprietà REFCOMP.  
E' fatto divieto di riproduzione e di divulgazione anche parziale secondo  
quanto regolato dalle norme vigenti.

ATTENTION: the present drawing is exclusively ownership of REFCOMP.  
Is forbidden to reproduce and to disclose, even if partially, the present  
document in conformity to law regulation in force.

Pos	Code	Description	Serial number	Note	Q.ty
261	303223	Unloader start solenoid valve kit 24V 'P' series			1
261	303224	Unloader start solenoid valve kit 110V 'P' series			1
261	303225	Unloader start solenoid valve kit 230V 'P' series			1
153	592620	Solenoid valve gasket l=66			1
151	760210	Coil 230V AC 50/60Hz			1
151	760220	Coil 110V 50/60Hz			1
151	760240	Coil 24V AC 50/60Hz			1
152	760503	Solenoid valve l=66 'SU'			1

**Start unloader solenoid valve**

Model: SP4L1500 > 2500 - SP4H2200 > 3500



## Terminal plate

ATTENZIONE: il presente disegno è di esclusiva proprietà REFCOMP. E' fatto divieto di riproduzione e di divulgazione anche parziale secondo quanto regolato dalle norme vigenti.

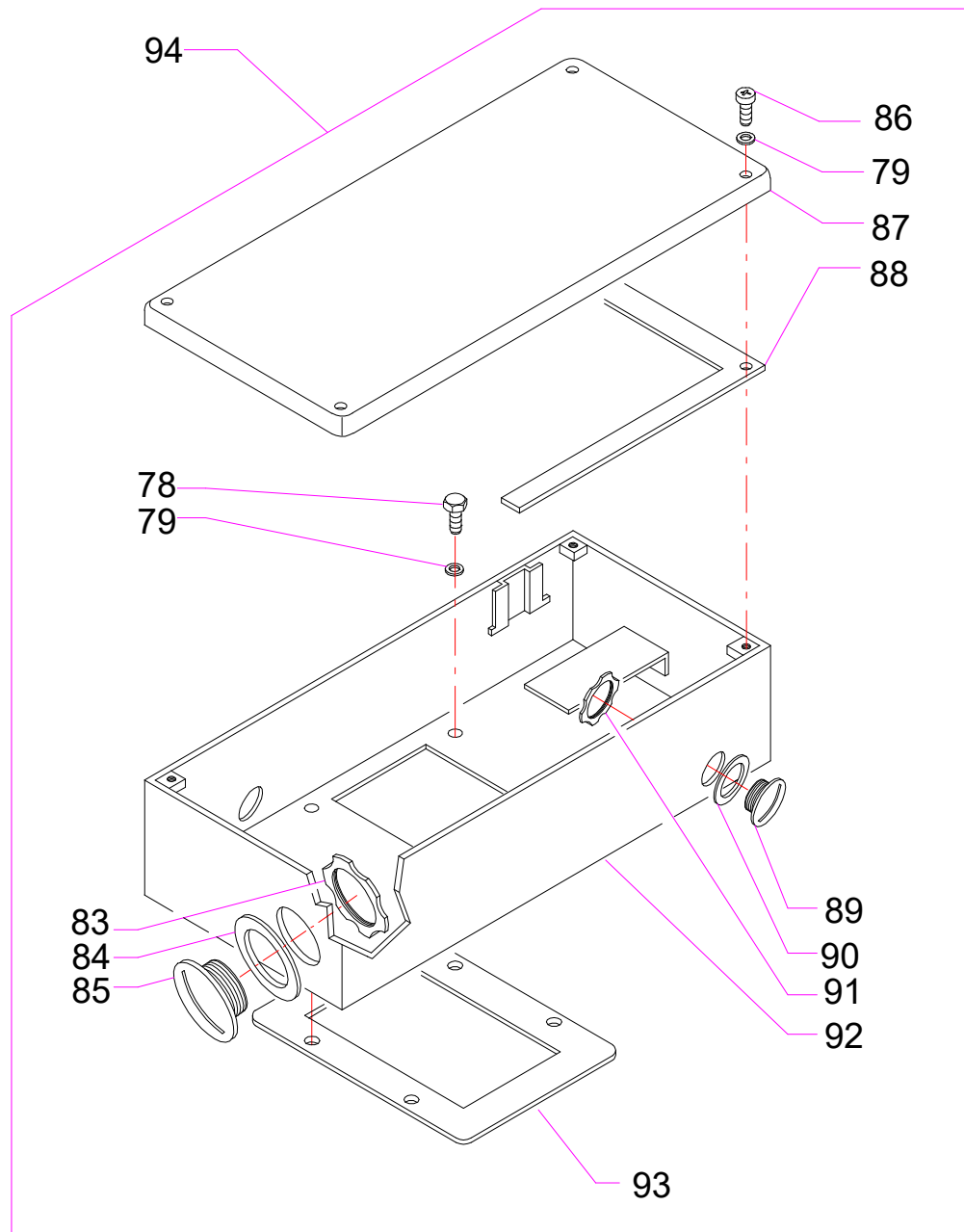
ATTENTION: the present drawing is exclusively ownership of REFCOMP. Is forbidden to reproduce and to disclose, even if partially, the present document in conformity to law regulation in force.

Pos	Code	Description	Serial number	Note	Q.ty
106	303221	Terminal plate kit 'P' series			1
106	303258	Terminal plate kit 'P' series			1
102	502640	Terminal plate M8			1
102	502946	Terminal plate M8			1
99	592550	Electric terminal insulation			2
100	592560	Electric numbering			1
103	592650	Terminal plate gasket			1
96	610860	Galvanized nut M8			12
104	611010	Plane washer Ø6x14x1.5			6
105	612950	Klock nut M6			6
97	614400	Galvanized grower washer M8			6
98	614451	Large galvanized washer M8x24x2			6
96	614454	Galvanized screw M8x16			6
97	N	NOT USED			0

**Terminal plate**



Model: SP4L1500 > 2500 - SP4H2200 > 3500

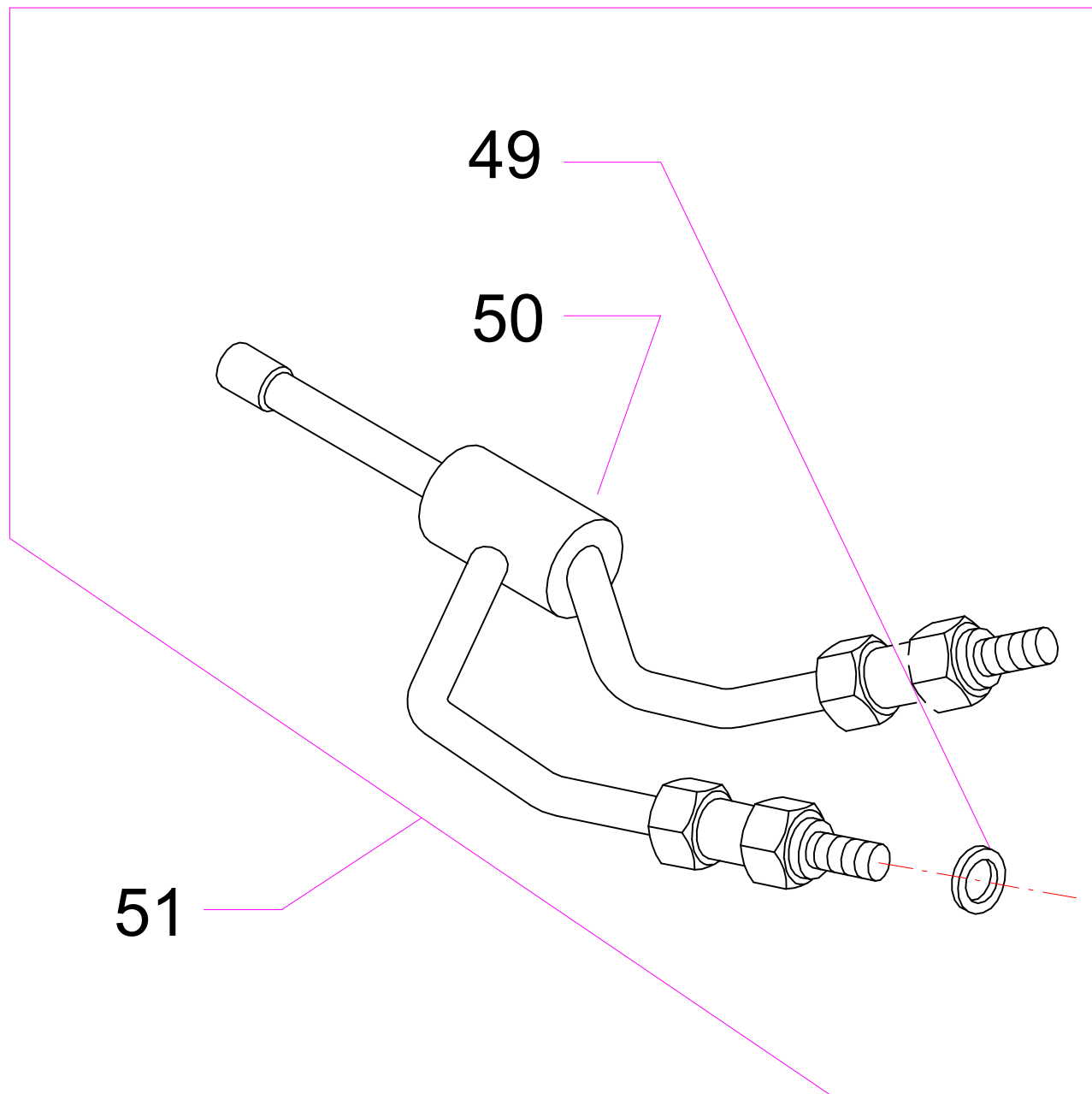


## Terminal box

ATTENZIONE: il presente disegno è di esclusiva proprietà REFCOMP. E' fatto divieto di riproduzione e di divulgazione anche parziale secondo quanto regolato dalle norme vigenti.

ATTENTION: the present drawing is exclusively ownership of REFCOMP. Is forbidden to reproduce and to disclose, even if partially, the present document in conformity to law regulation in force.

Pos	Code	Description	Serial number	Note	Q.ty
94	303220	Electric box kit 'P4/6' series			1
92	518470	Electric box 'SP/SB' series			1
87	518480	Electric box cover 'P' series			1
84	590230	Rubber washer gasket PG 29			2
88	592630	Electric box cover gasket			2
93	592640	Electric box lower gasket			1
90	592737	Rubber washer gasket PG 9			2
78	611150	Galvanized screw M6x14			3
86	613960	Galvanized screw M6x16			4
85	690290	Plastic plug PG 29			2
83	690330	Plastic nut PG 29			2
91	691060	Plastic nut PG 9			2
89	691097	Plastic plug PG 9			2
79	691107	Rubber washer miniplast MP16-6			7

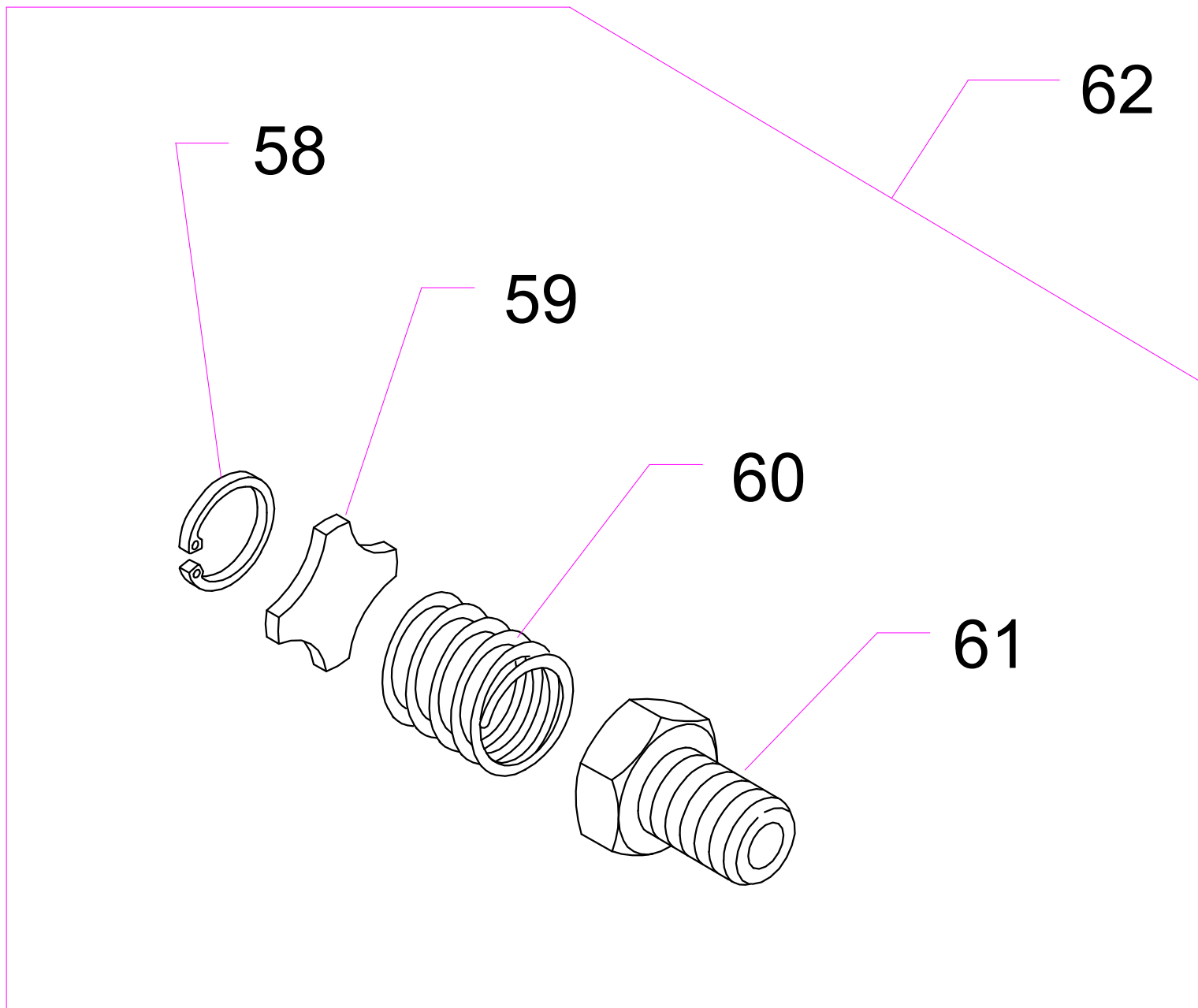


## Depressor

ATTENZIONE: il presente disegno è di esclusiva proprietà REFCOMP.  
E' fatto divieto di riproduzione e di divulgazione anche parziale secondo  
quanto regolato dalle norme vigenti.

ATTENTION: the present drawing is exclusively ownership of REFCOMP.  
Is forbidden to reproduce and to disclose, even if partialy, the present  
document in conformity to law regulation in force.

Pos	Code	Description	Serial number	Note	Q.ty
51	303213	Depressor kit 'P' series			1
50	502750	Depressor 'SP' series			1
49	620070	Alluminium plane washer Ø14xØ18x1.5			1



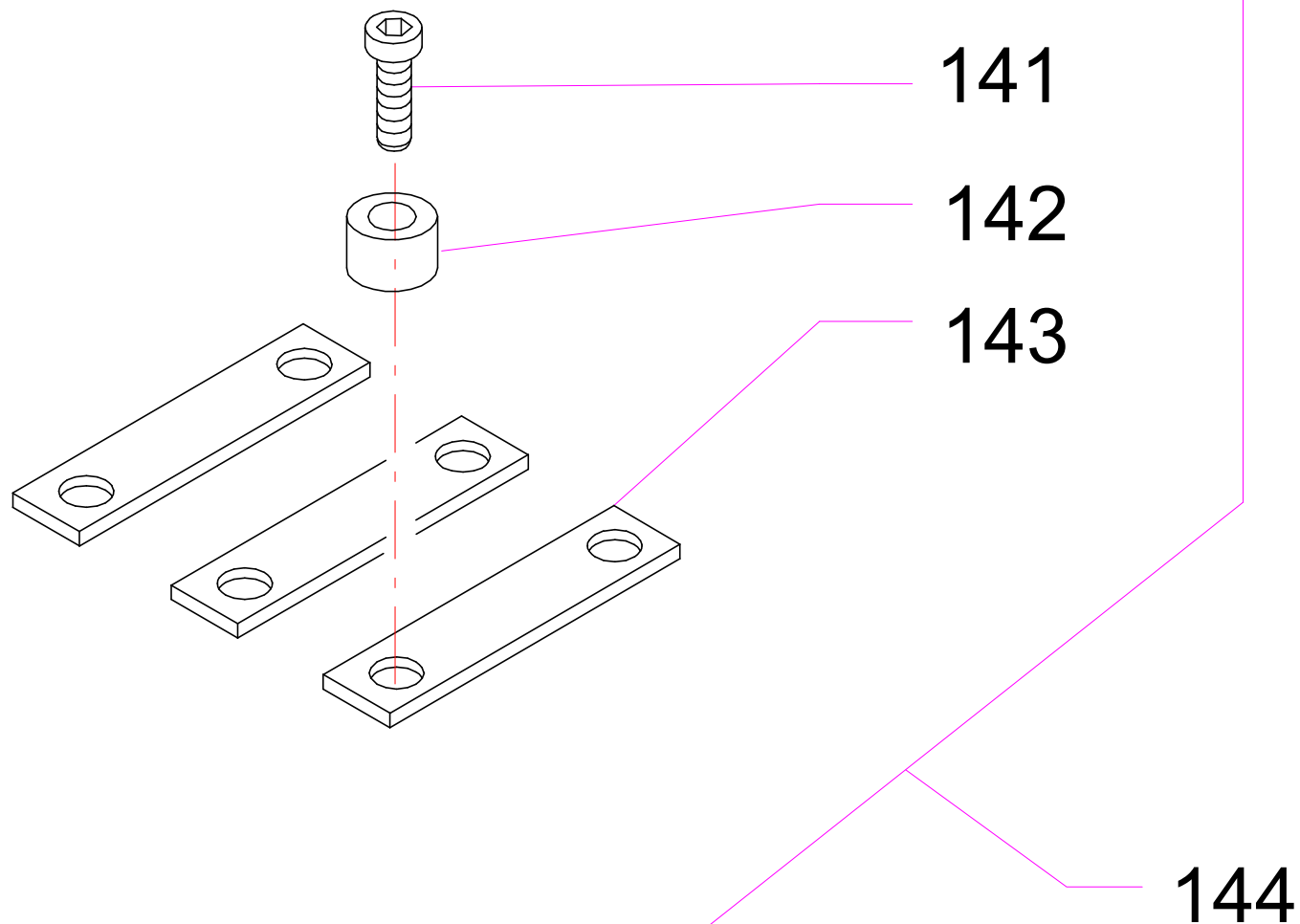
**Equalising valve**

ATTENZIONE: il presente disegno è di esclusiva proprietà REFCOMP.  
E' fatto divieto di riproduzione e di divulgazione anche parziale secondo  
quanto regolato dalle norme vigenti.

ATTENTION: the present drawing is exclusively ownership of REFCOMP.  
Is forbidden to reproduce and to disclose, even if partialy, the present  
document in conformity to law regulation in force.

Pos	Code	Description	Serial number	Note	Q.ty
62	303218	Equalizing valve kit 'P' series			1
60	515690	Equalising valve spring			1
59	515700	Equalising disk			1
61	518320	Equalising valve flapper body			1
58	613110	Seeger for hole Ø22			1

Model: SP4L1500 > 2500 - SP4H2200 > 3500



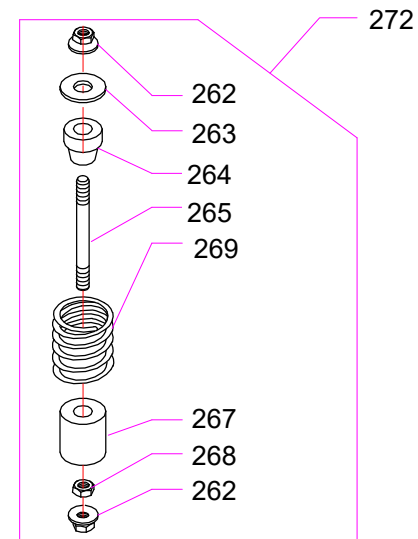
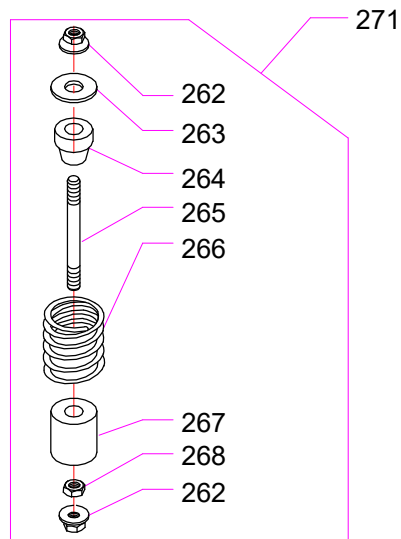
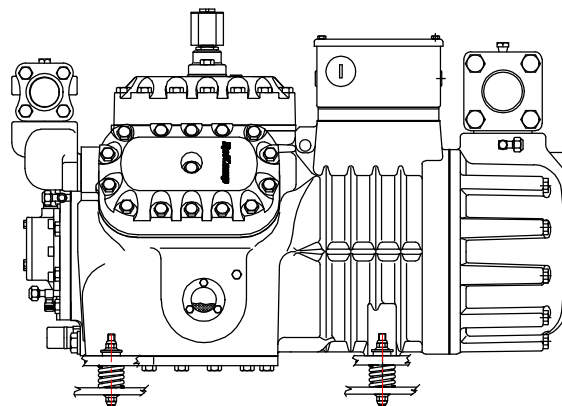
**Direct starting**

ATTENZIONE: il presente disegno è di esclusiva proprietà REFCOMP.  
E' fatto divieto di riproduzione e di divulgazione anche parziale secondo  
quanto regolato dalle norme vigenti.

ATTENTION: the present drawing is exclusively ownership of REFCOMP.  
Is forbidden to reproduce and to disclose, even if partially, the present  
document in conformity to law regulation in force.

Pos	Code	Description	Serial number	Note	Q.ty
144	303167	Direct starting kit l=33			1
144	303172	Direct starting kit l=30			1
143	540200	Direct starting rail			3
142	540700	Spacer Ø8.5xØ20x10			6
141	614497	Galvanized screw M8x25			6
142	N	NOT USED			0
141	N	NOT USED			0



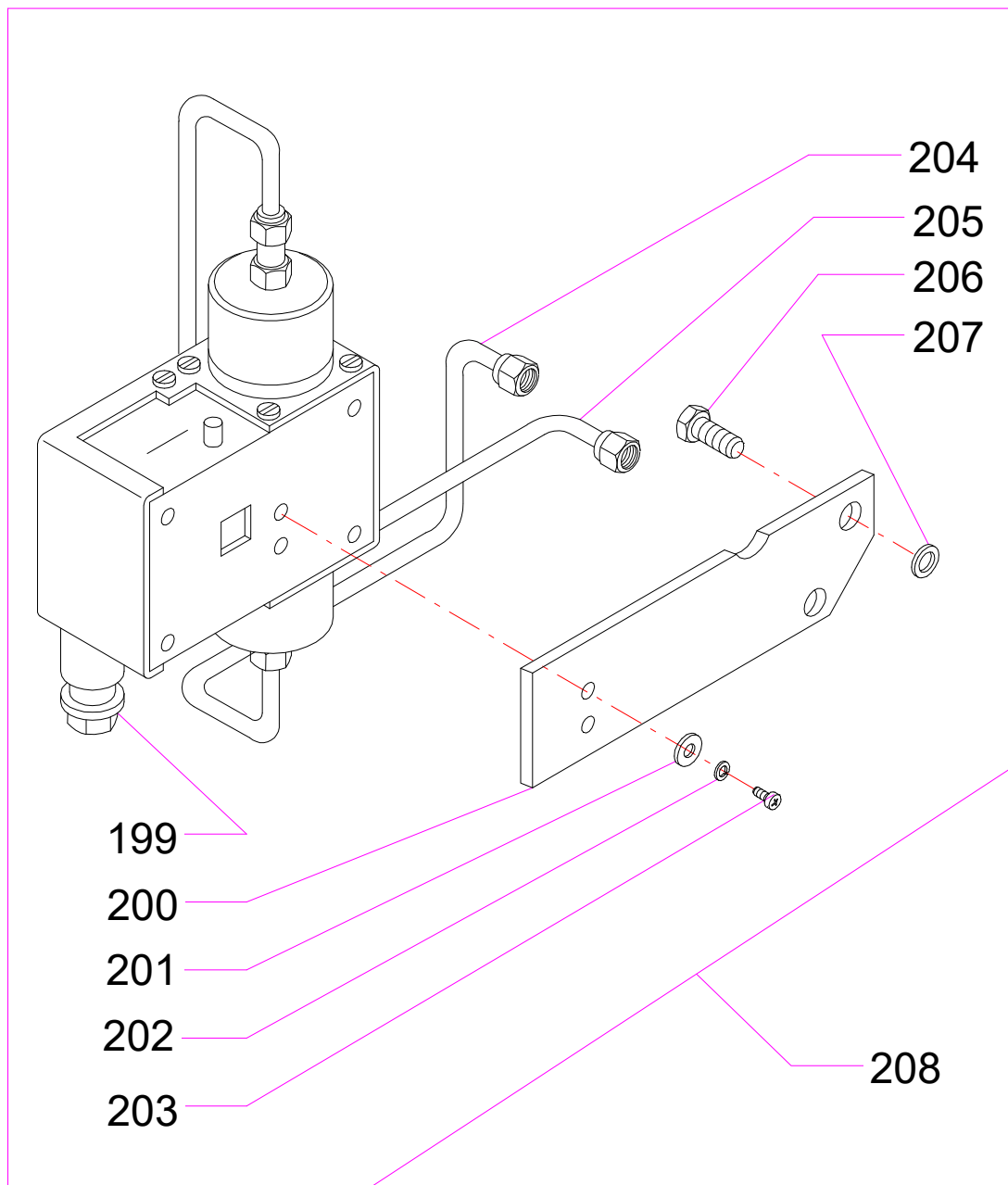


## Dumpers

ATTENZIONE: il presente disegno è di esclusiva proprietà REFCOMP.  
E' fatto divieto di riproduzione e di divulgazione anche parziale secondo  
quanto regolato dalle norme vigenti.

ATTENTION: the present drawing is exclusively ownership of REFCOMP.  
Is forbidden to reproduce and to disclose, even if partially, the present  
document in conformity to law regulation in force.

Pos	Code	Description	Serial number	Note	Q.ty
272	303130	Grey spring dumper kit			1
271	303131	Green spring dumper kit			1
272	303132	Blue spring dumper kit			1
269	518820	Blue spring dumper 'SP' series			2
266	518821	Green spring dumper 'SP' series			2
269	518822	Grey spring dumper 'SP' series			2
265	518823	Tie rod dumpers M10x100 'SP' series			2
264	590970	Dumper bush			2
267	592680	Dumper spring drive			2
268	610800	Galvanized nut M10			2
263	611100	Plane washer Ø10xØ30x2			2
262	614410	Nut M10			4



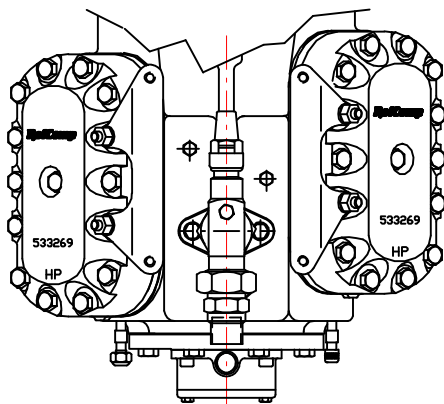
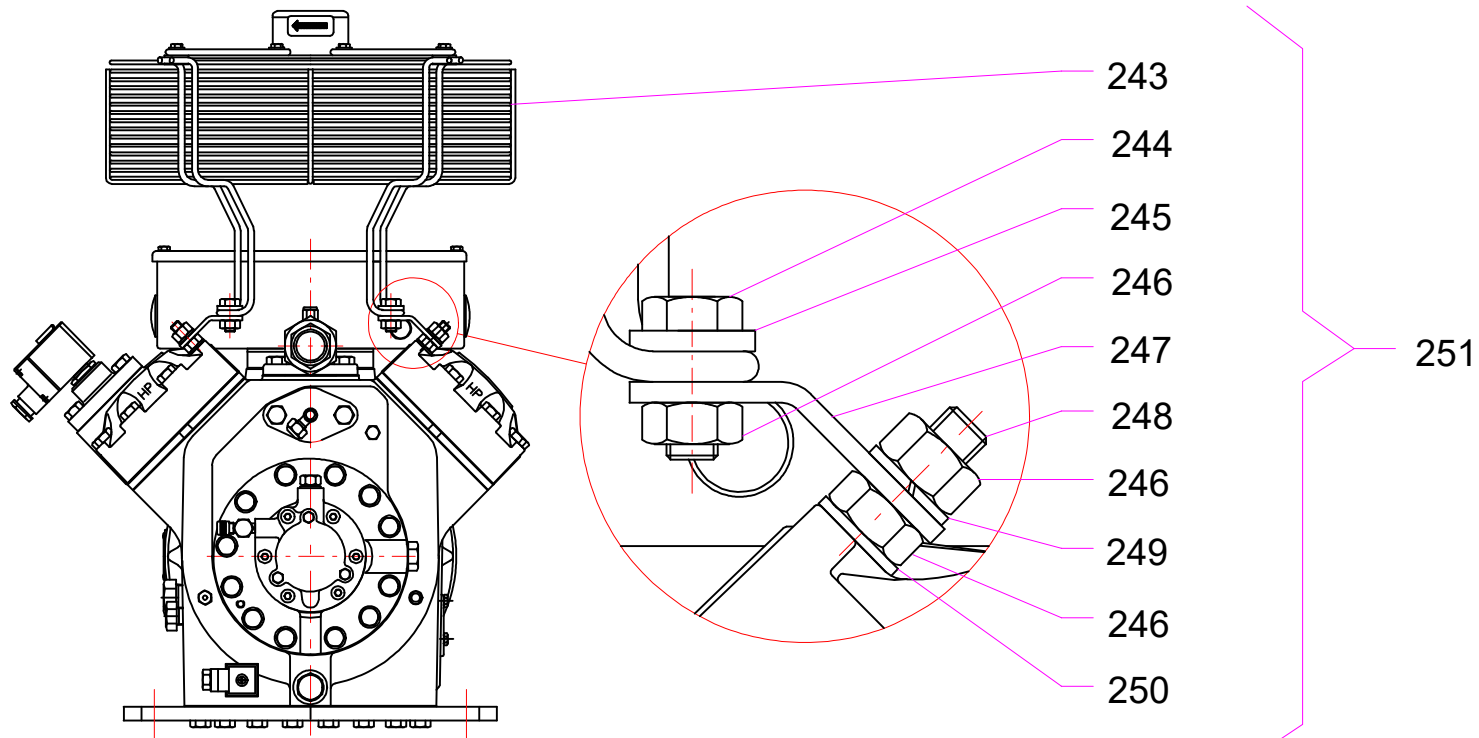
### Oil pressure switch

ATTENZIONE: il presente disegno è di esclusiva proprietà REFCOMP. E' fatto divieto di riproduzione e di divulgazione anche parziale secondo quanto regolato dalle norme vigenti.

ATTENTION: the present drawing is exclusively ownership of REFCOMP. Is forbidden to reproduce and to disclose, even if partially, the present document in conformity to law regulation in force.

Pos	Code	Description	Serial number	Note	Q.ty
208	303191	Oil pressure switch MP54 kit 'P4/6' series			1
200	519044	MP54 oil flowswitch bracket 'SP/SB' series			1
205	540682	Oil pressure switch pipe MP54 L.P.			1
204	540683	Oil pressure switch pipe MP54 H.P.			1
203	610630	Galvanized screw M4x12			2
206	612150	Galvanized screw M10x35			2
207	614170	Galvanized plane washer Ø10.5xØ18x2			2
202	614463	Grower washer M4			2
201	614464	Plane washer Ø4.3xØ8x0.5			2
199	760508	Oil pressure switch MP54			1

Model: SP4L1500 > 2500 - SP4H2200 > 3500



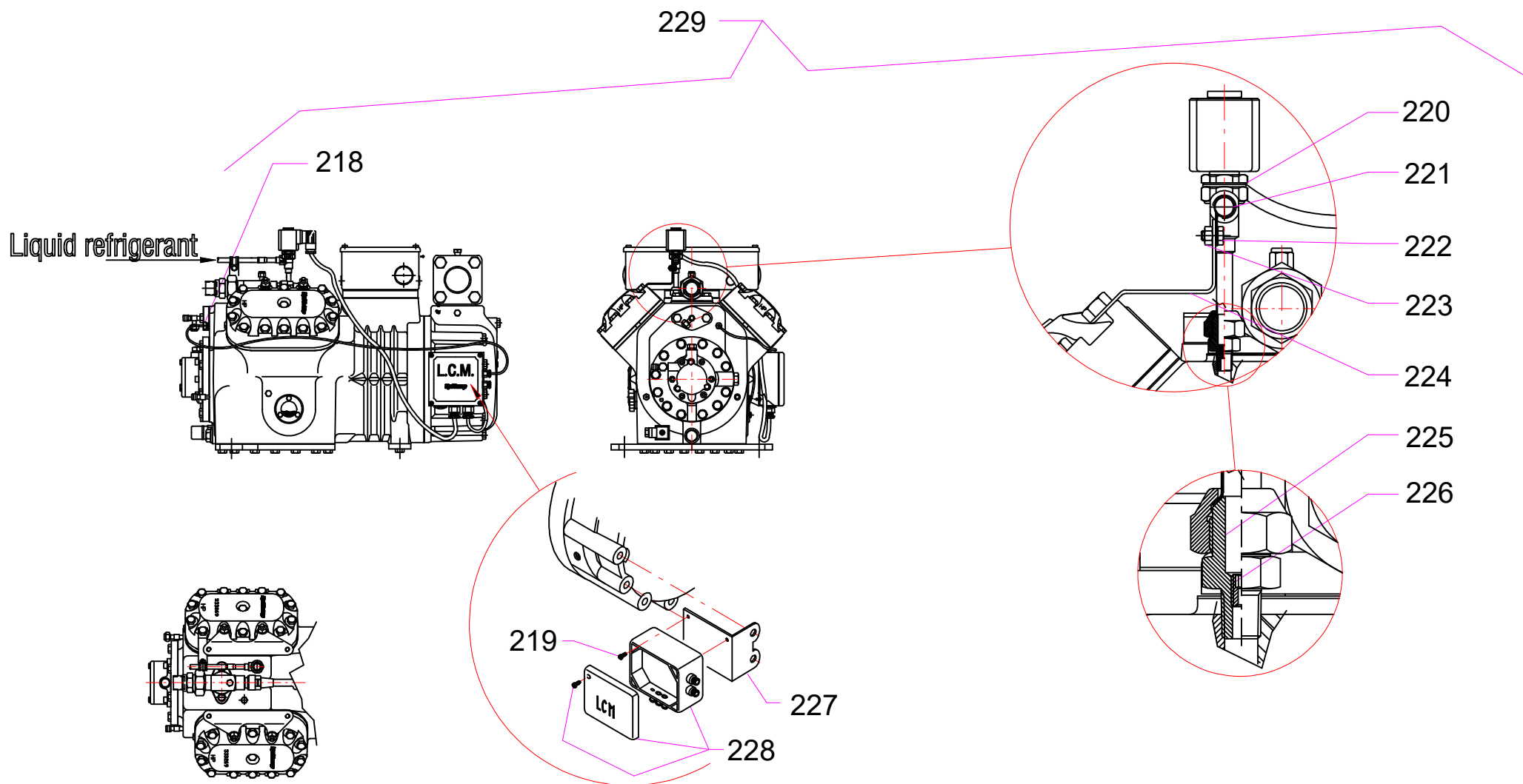
### Additional fan

ATTENZIONE: il presente disegno è di esclusiva proprietà REFCOMP. E' fatto divieto di riproduzione e di divulgazione anche parziale secondo quanto regolato dalle norme vigenti.

ATTENTION: the present drawing is exclusively ownership of REFCOMP. Is forbidden to reproduce and to disclose, even if partialy, the present document in conformity to law regulation in force.

Pos	Code	Description	Serial number	Note	Q.ty
251	303153	Additional fan kit 'P4' series			1
247	518993	Fan bracket 'P4' series			2
248	518995	Tie rod fan M10x105 'SP' series			4
246	610820	Galvanized nut M10			12
244	612150	Galvanized screw M10x35			4
250	613910	Plane washer Ø10.5xØ20x2			4
249	613950	Grower washer M10			4
245	614457	Plane washer Ø10.5xØ28x4			4
243	760509	Fan			1

**Additional fan**



## Liquid injection

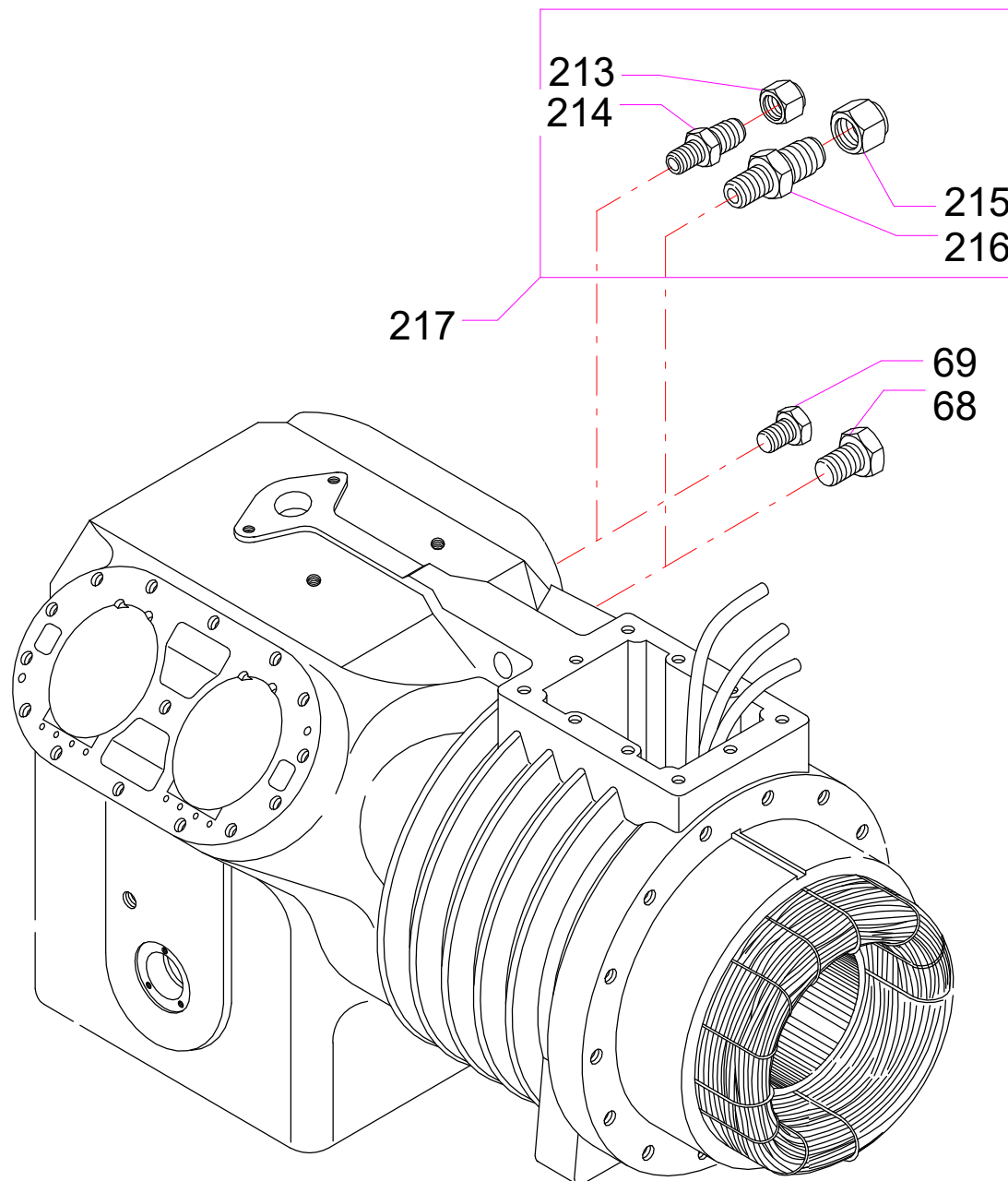
ATTENZIONE: il presente disegno è di esclusiva proprietà REFCOMP.  
E' fatto divieto di riproduzione e di divulgazione anche parziale secondo  
quanto regolato dalle norme vigenti.

ATTENTION: the present drawing is exclusively ownership of REFCOMP.  
Is forbidden to reproduce and to disclose, even if partially, the present  
document in conformity to law regulation in force.

Pos	Code	Description	Serial number	Note	Q.ty
229	303166	Liquid injection kit 'P4' series			1
227	519078	Injection module bracket 'P/SB' series			1
226	519101	Calibrated grub screw Ø1.65 M5x8 'SB' series			1
224	519176	Injection pipe bracket 'P4/SB4' series			1
225	540699	Nozzle connection M5x8			1
222	610550	Galvanized screw M5x12			1
223	610870	Galvanized nut M5			1
219	614492	Galvanized screw M4x8			4
221	614493	Pipe bracket Ø10			1
218	760513	Temperature probe PT1000			1
220	760514	Solenoid valve			1
228	760515	Lcm module elettronico injection 230V-50/60Hz			1



Model: SP4L1500 > 2500 - SP4H2200 > 3500



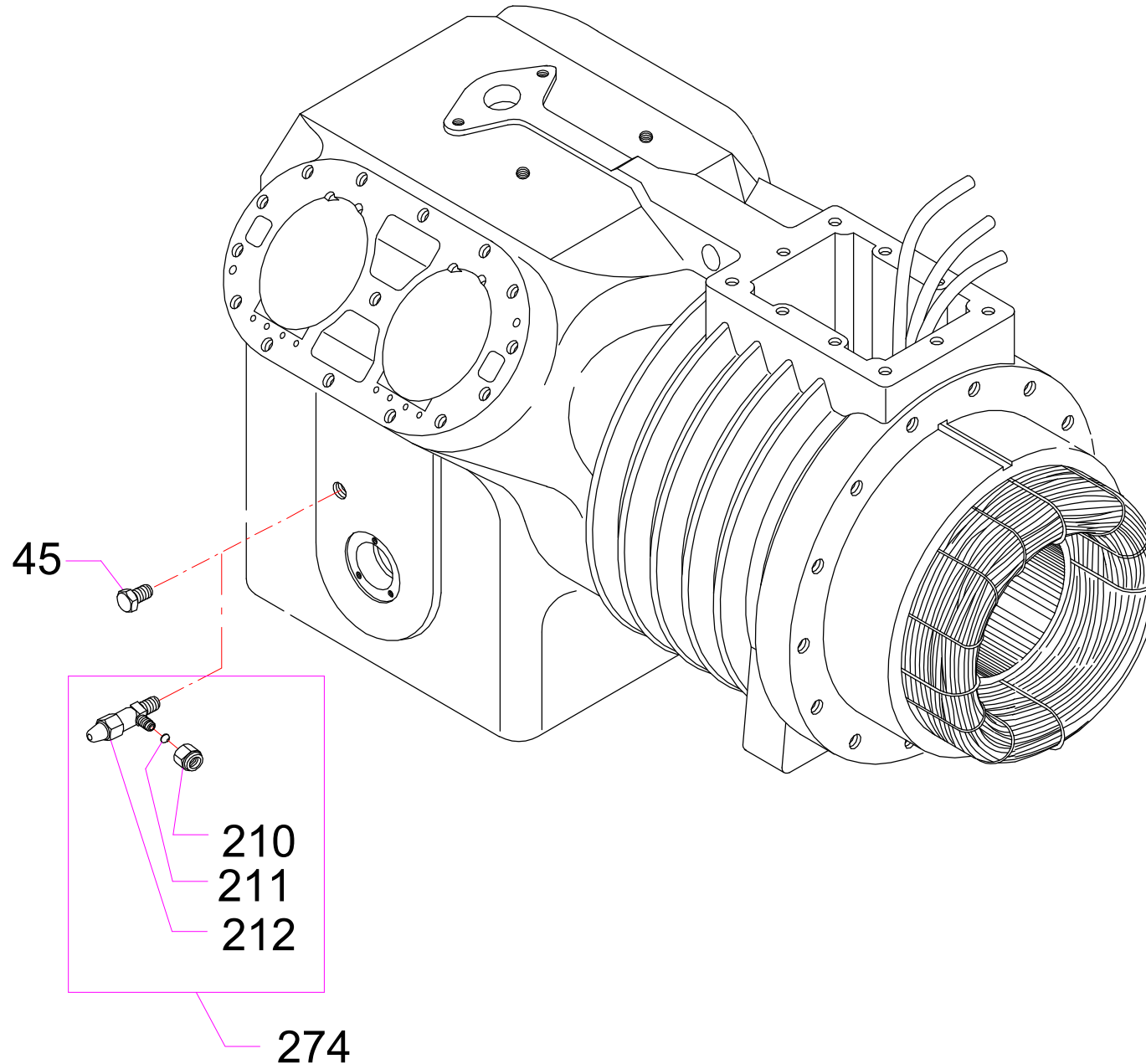
## Parallel compounding connection

ATTENZIONE: il presente disegno è di esclusiva proprietà REFCOMP.  
E' fatto divieto di riproduzione e di divulgazione anche parziale secondo  
quanto regolato dalle norme vigenti.

ATTENTION: the present drawing is exclusively ownership of REFCOMP.  
Is forbidden to reproduce and to disclose, even if partially, the present  
document in conformity to law regulation in force.

Pos	Code	Description	Serial number	Note	Q.ty
217	303142	Straight connection kit 'P4/6' series			1
69	519148	Plug 1/2" NPT			1
68	519149	Plug 3/4" NPT			1
216	540681	Straight connection 1"1/4-12UNF-3/4"NPT			1
213	640631	Straight connection 1/2"NPT-5/8"SAE			1
214	640633	Nut 5/8"SAE-16			1
215	640634	Nut 7/8"SAE-22			1

**Parallel compounding connection**



### Oil charge valve

ATTENZIONE: il presente disegno è di esclusiva proprietà REFCOMP.  
E' fatto divieto di riproduzione e di divulgazione anche parziale secondo  
quanto regolato dalle norme vigenti.

ATTENTION: the present drawing is exclusively ownership of REFCOMP.  
Is forbidden to reproduce and to disclose, even if partially, the present  
document in conformity to law regulation in force.

RefComp Spa

36045 Lonigo

Vicenza - Italy

Via Enrico Fermi, 6

Tel +39 0444 726726

Fax +39 0444 436386

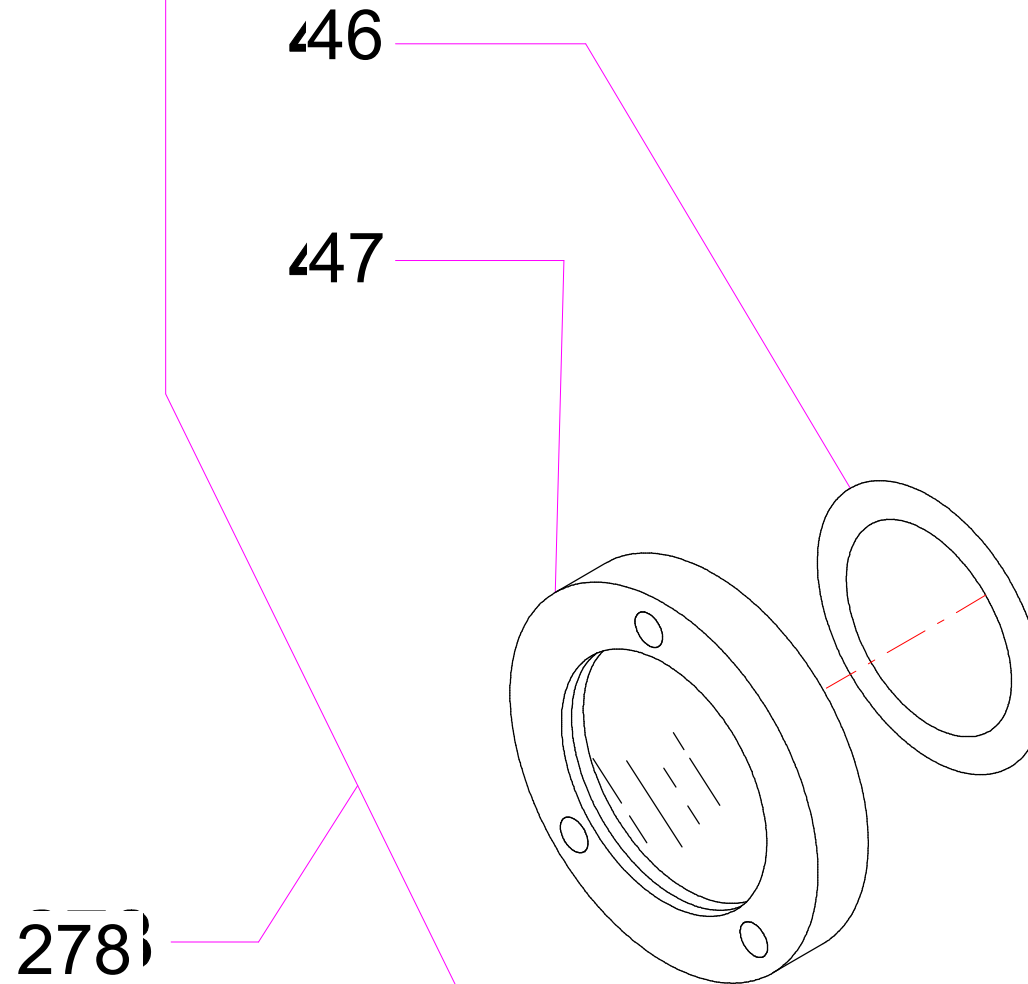


REFRIGERANT COMPRESSORS  
Lonigo (Vicenza) Italy

Pos	Code	Description	Serial number	Note	Q.ty
274	303143	Charge/discharge shut-off valve kit 1/4"NPT 'P' series			1
45	519147	Plug 1/4" NPT			1
210	640020	Nut 1/4"SAE-6			1
211	640050	Cooper cap 1/4"SAE			1
212	640080	Charge/discharge shut-off valve 1/4"NPT			1

**Oil charge valve**

[www.refcomp.it](http://www.refcomp.it)  
[spareparts@refcomp.it](mailto:spareparts@refcomp.it)

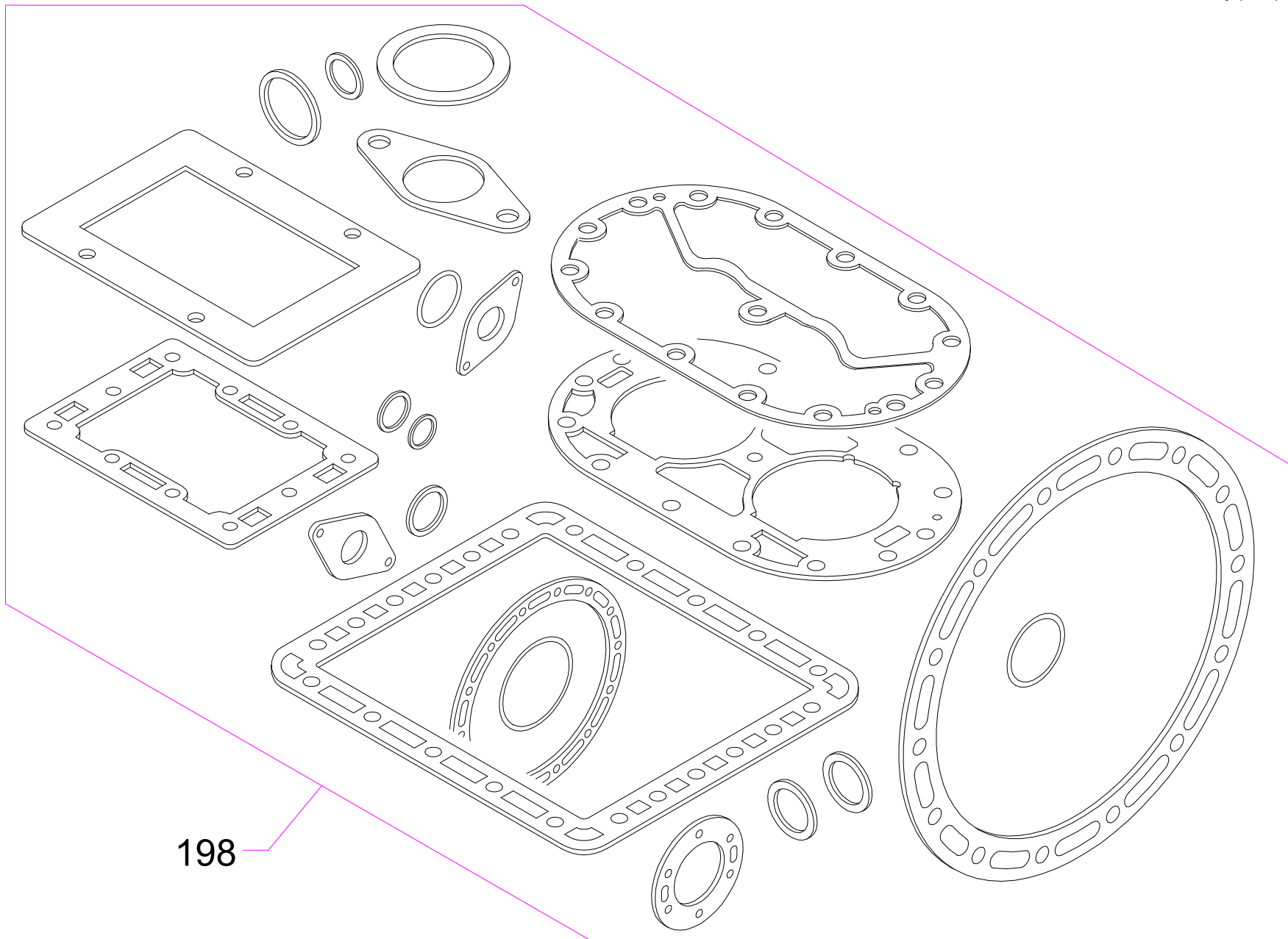


### Sight glass cover

ATTENZIONE: il presente disegno è di esclusiva proprietà REFCOMP.  
E' fatto divieto di riproduzione e di divulgazione anche parziale secondo  
quanto regolato dalle norme vigenti.

ATTENTION: the present drawing is exclusively ownership of REFCOMP.  
Is forbidden to reproduce and to disclose, even if partialy, the present  
document in conformity to law regulation in force.

Pos	Code	Description	Serial number	Note	Q.ty
278	300270	Sight glass cover kit 3 holes			1
47	500270	Sight glass cover 3 holes			1
46	690080	O-ring OR3131			1



## Gaskets

ATTENZIONE: il presente disegno è di esclusiva proprietà REFCOMP. E' fatto divieto di riproduzione e di divulgazione anche parziale secondo quanto regolato dalle norme vigenti.

ATTENTION: the present drawing is exclusively ownership of REFCOMP. Is forbidden to reproduce and to disclose, even if partially, the present document in conformity to law regulation in force.

Pos	Code	Description	Serial number	Note	Q.ty
198	303197	Gasket kit 'P4/6' series			1