

SP6L2700_3000 - SP6H3700_4000

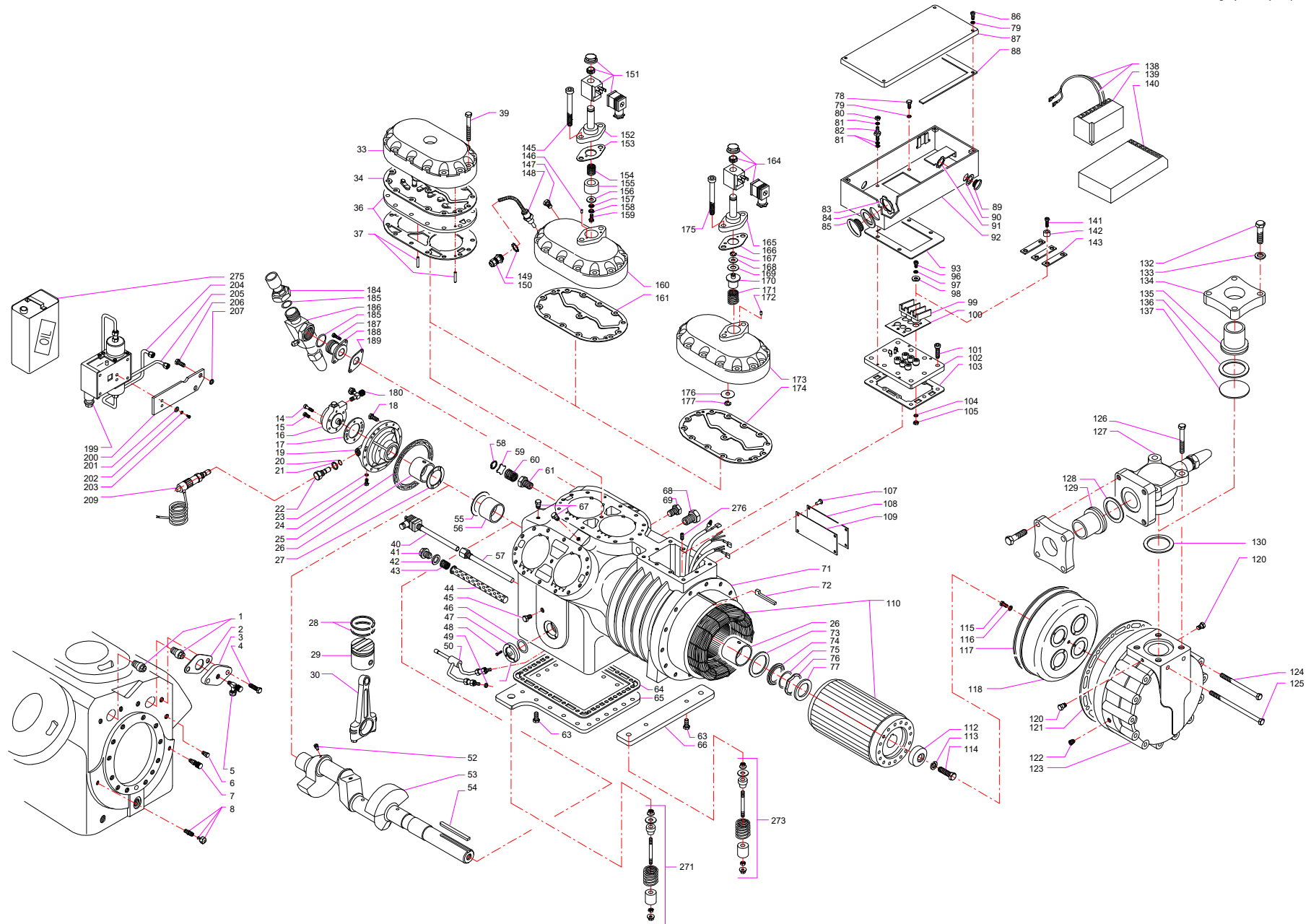
ATTENZIONE: il presente disegno è di esclusiva proprietà REFCOMP. E' fatto divieto di riproduzione e di divulgazione anche parziale secondo quanto regolato dalle norme vigenti.

ATTENTION: the present drawing is exclusively ownership of REFCOMP. Is forbidden to reproduce and to disclose, even if partially, the present document in conformity to law regulation in force.

Pos	Code	Description	Serial number	Note	Q.ty
275	303239	Tank oil kit 5Lt 'SD22-13'			1
5	500261	Tee-piece union 1/8"NPT-1/4"-1/4"SAE			1
8	500262	Straight connection 1/8"NPT-1/4"SAE			1
7	500263	Straight connection 1/8"NPT-1/4"SAE			1
57	501030	Carter heater protector Ø10 'L' series			1
1	502650	Safety valve 30bar 3/4"NPT			2
134	511170	Square flange l=78 Ø64			1
112	511480	Shaft washer			1
135	513410	Bush Ø42			1
77	518160	Spacer Ø42.05xØ58x5			1
76	518170	Shaft seal spring			1
74	518180	Shaft seal ring Ø45			1
66	518420	Compressor supporting plate			1
41	518500	Magnetic plug M26x1.5			1
43	518510	Oil filter spring 'SP' series			1
3	518520	Oavl plate discharge side l=66 'SP' series			1
65	518660	Lower closing plate 'SP' series			1
6	519143	Plug 1/8" NPT			1
67	519143	Plug 1/8" NPT			4
120	519143	Plug 1/8" NPT			2
137	520190	Suction closing plate Ø82			1
123	533240	Suction cover			1
71	533430	Crankcase Ø70 'SP6' series			1
71	533440	Crankcase Ø75 'SP6' series			1
73	550430	Shaft seal of thrust washer Ø45			1
138	580420	Electrical wire L=190			2
139	581250	Motor protection device INT69VS 230V			1
139	581900	Motor protection device INT69VS 110V			1
139	581910	Motor protection device INT69VS 24V AC			1
110	582960	Electric motor 400V/3/50Hz			1
110	582970	Electric motor 400V/3/50Hz			1
110	582980				1
40	583000	Crankcase heater 230V 150W Ø10			1
40	583010	Crankcase heater 110V 150W Ø10			1
40	583020	Crankcase heater 24V 150W Ø10			1
110	583140	Electric motor 230V/3/60Hz PW			1
110	583160	Electric motor 230V/3/60Hz PW			1
110	583273	Electric motor 400V/3/50Hz PW			1
110	583294	Electric motor 230V/3/60Hz PW			1
110	583296				1
110	583316	Electric motor 380V/3/60Hz PW			1
110	583317	Electric motor 380V/3/60Hz PW			1
110	583318	Electric motor 380V/3/60Hz PW			1
110	583320				1
110	583332	Electric motor 400V/3/50Hz Y/D			1
110	583333	Electric motor 400V/3/50Hz Y/D			1

SP6L2700_3000 - SP6H3700_4000

www.refcomp.it
spareparts@refcomp.it

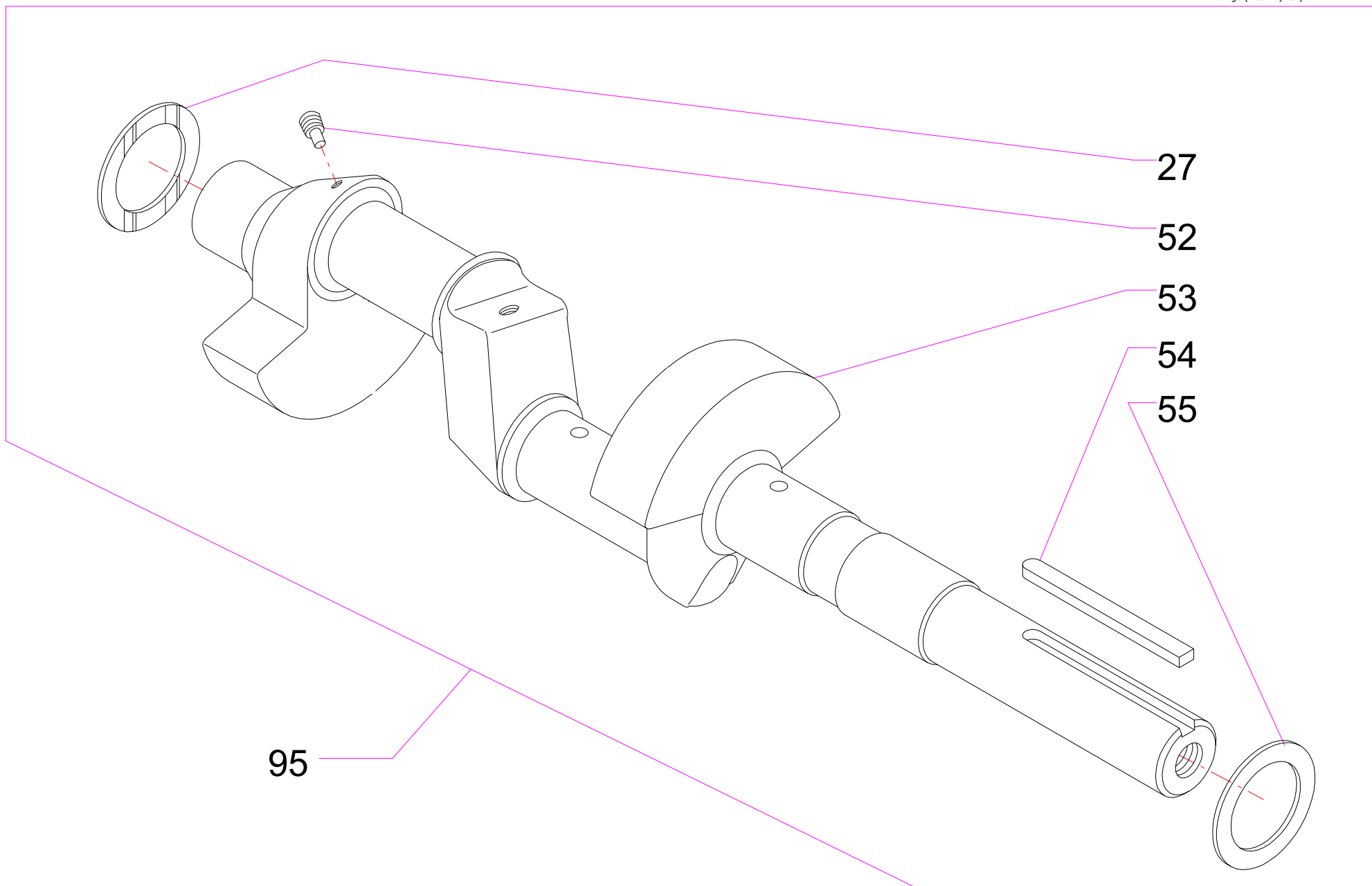


SP6L2700_3000 - SP6H3700_4000

ATTENZIONE: il presente disegno è di esclusiva proprietà REFCOMP. E' fatto divieto di riproduzione e di divulgazione anche parziale secondo quanto regolato dalle norme vigenti.

ATTENTION: the present drawing is exclusively ownership of REFCOMP. Is forbidden to reproduce and to disclose, even if partially, the present document in conformity to law regulation in force.

Pos	Code	Description	Serial number	Note	Q.ty
110	583334	Electric motor 400V/3/50Hz Y/D			1
110	583336	Electric motor 400V/3/50Hz Y/D			1
108	585010	Data compressor nameplate P.W.			1
109	585430	Data compressor nameplate Y/D			1
136	590260	Shut-off valve gasket Ø65xØ82x1			1
121	592520	Suction cover gasket Ø285x1			1
2	592540	Oval flange gasket I=66			1
64	592660	Lower plate gasket			1
275	600140	Oil tank 5Lt 'RL68H'			1
275	600220	Oil tank 5Lt 'RL32H'			1
122	610680	Plug 1/8"NPT			1
113	610940	Galvanized grower washer M16			1
133	610940	Galvanized grower washer M16			4
48	611150	Galvanized screw M6x14			3
15	611190	Screw M8x20			6
14	611310	Screw M8x40			2
101	611330	Galvanized screw M10x20			10
63	611370	Screw M10x30			26
18	611370	Screw M10x30			10
4	611370	Screw M10x30			2
39	611380	Screw M10x70			45
114	611600	Screw M16x50			1
132	611620	Galvanized screw M16x60			4
114	611630	Screw M16x55			1
126	611640	Galvanized screw M16x100			4
187	612200	Galvanized screw M10x25			2
114	614140	Screw M16x70			1
72	614240	Nib key 5x5x55			1
124	614250	Galvanized screw M12x150			10
125	614260	Galvanized screw M12x180			2
276	614290	Grub screw M10x16			1
107	620010	Steel rivet Ø2.9x6.5			4
150	691000	Gland PG 9			1
75	691040	O-ring OR3175			1
149	691060	Plastic nut PG 9			1
209	760490	Oil differential kriwan 230V M20x1.5			1
140	760500	Motor protection device INT390 230V 50/60Hz			1
148	760502	Sensor probe PTC/140°			1

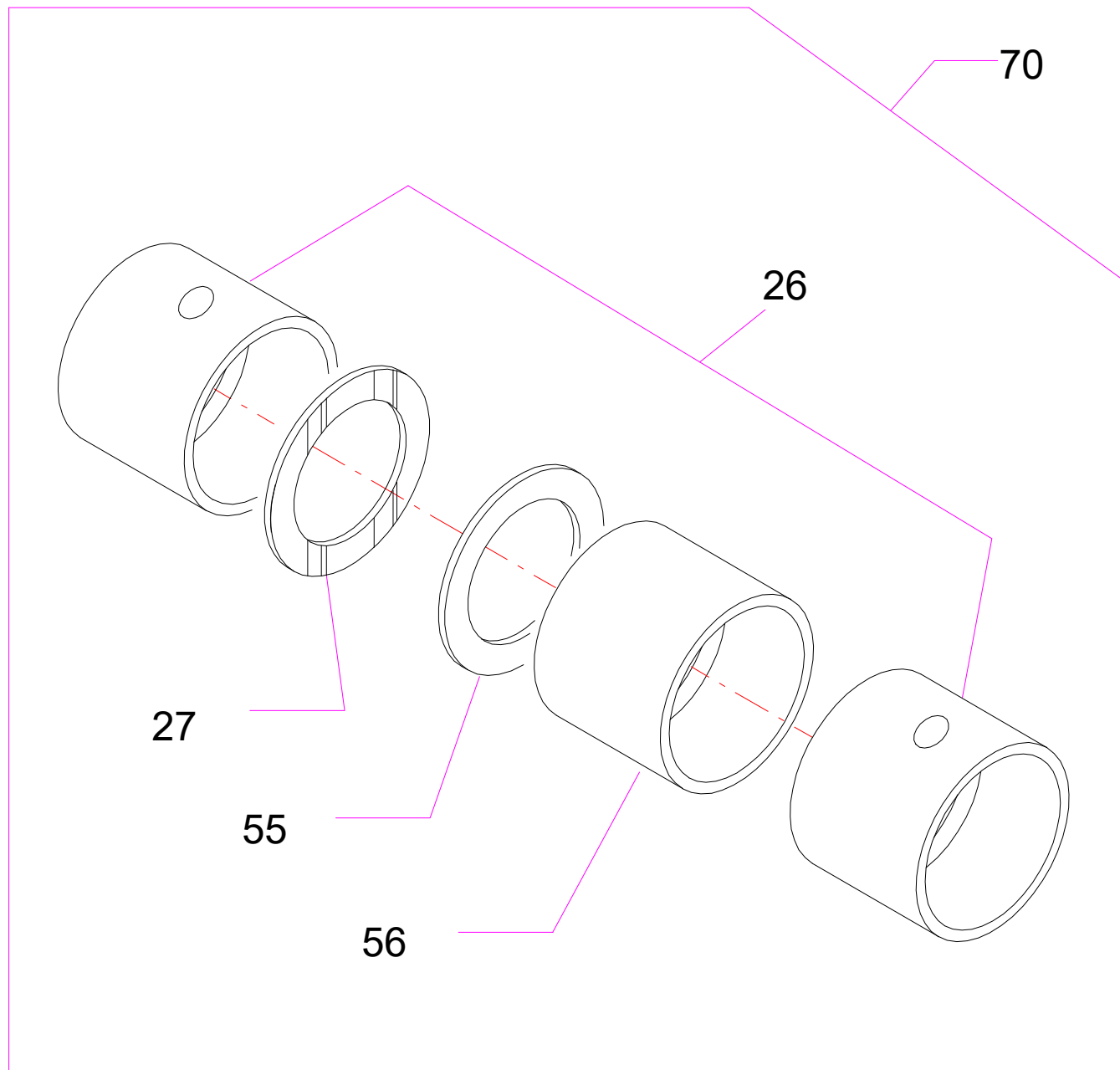


Crankshaft

ATTENZIONE: il presente disegno è di esclusiva proprietà REFCOMP.
E' fatto divieto di riproduzione e di divulgazione anche parziale secondo
quanto regolato dalle norme vigenti.

ATTENTION: the present drawing is exclusively ownership of REFCOMP.
Is forbidden to reproduce and to disclose, even if partialy, the present
document in conformity to law regulation in force.

Pos	Code	Description	Serial number	Note	Q.ty
95	303216	Crankshaft kit Ø45x56 'SP6' series			1
95	303217	Crankshaft kit Ø45x56 'SP6' series			1
52	518810	Magnetic plug M8x10 'SP' series			3
53	533420	Crankshaft Ø45x56 'SP6' series			1
53	533733	Crankshaft Ø45x56			1
54	612450	Key 12x8x100			1

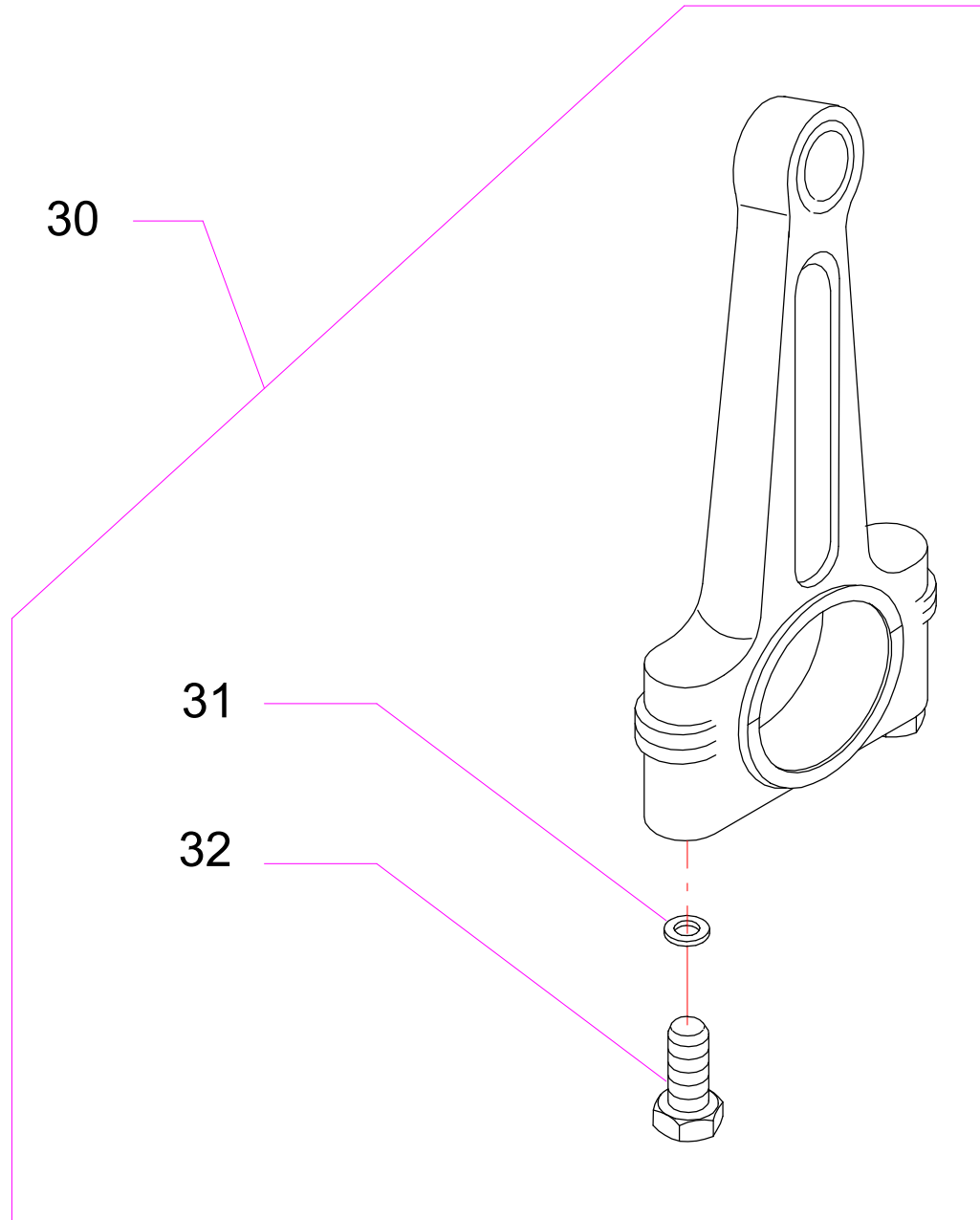


Brush - Thrust washer

ATTENZIONE: il presente disegno è di esclusiva proprietà REFCOMP. E' fatto divieto di riproduzione e di divulgazione anche parziale secondo quanto regolato dalle norme vigenti.

ATTENTION: the present drawing is exclusively ownership of REFCOMP. Is forbidden to reproduce and to disclose, even if partially, the present document in conformity to law regulation in force.

Pos	Code	Description	Serial number	Note	Q.ty
70	303219	Bushing kit 'P' series			1
55	550430	Shaft seal of thrust washer Ø45			1
27	550440	Thrust washer pump side Ø45			1
56	550450	Bushing Ø45xØ50x47.5			1
26	550451	Bushing Ø45xØ50x47.5			2

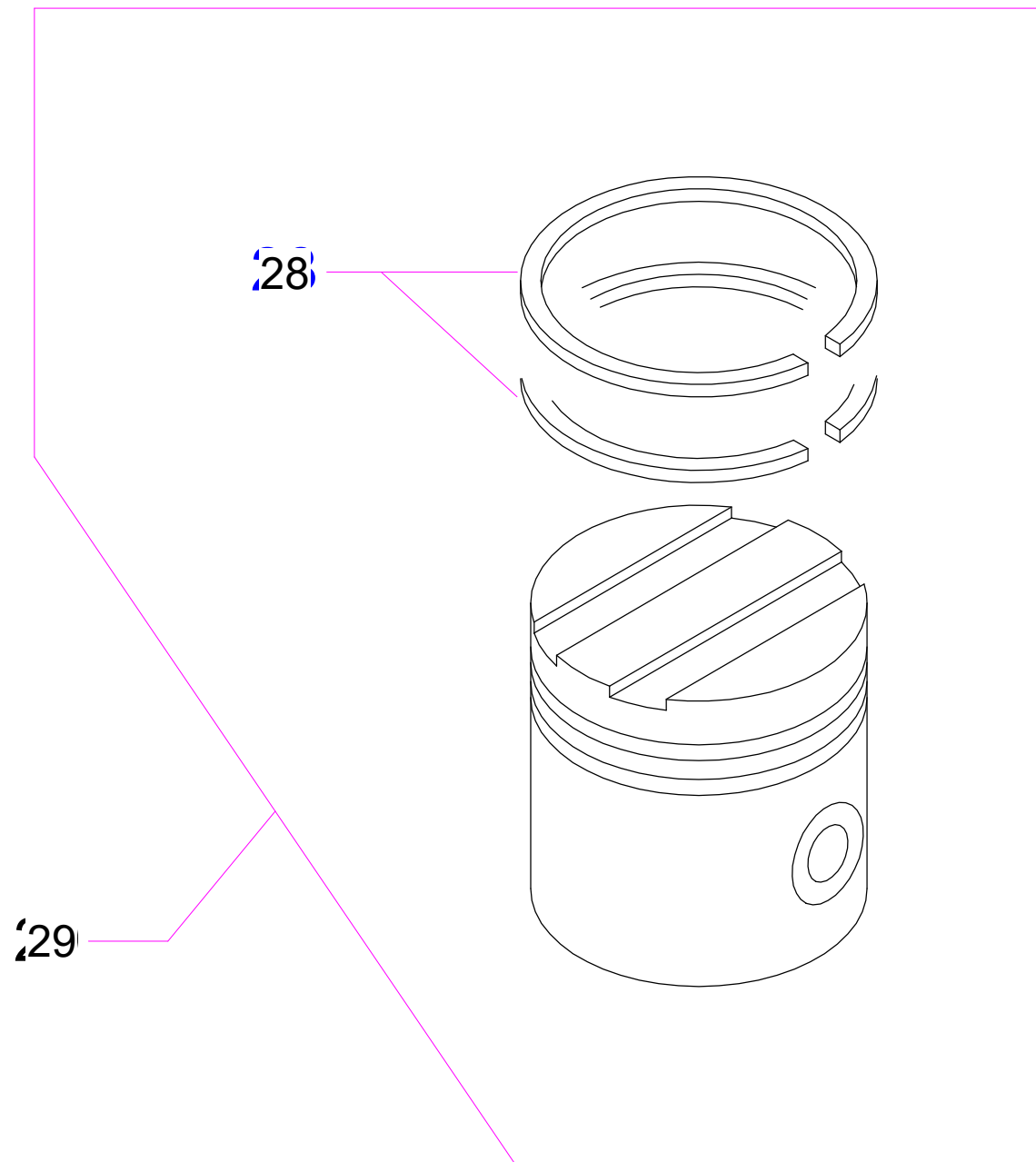


Connecting rod

ATTENZIONE: il presente disegno è di esclusiva proprietà REFCOMP.
E' fatto divieto di riproduzione e di divulgazione anche parziale secondo
quanto regolato dalle norme vigenti.

ATTENTION: the present drawing is exclusively ownership of REFCOMP.
Is forbidden to reproduce and to disclose, even if partialy, the present
document in conformity to law regulation in force.

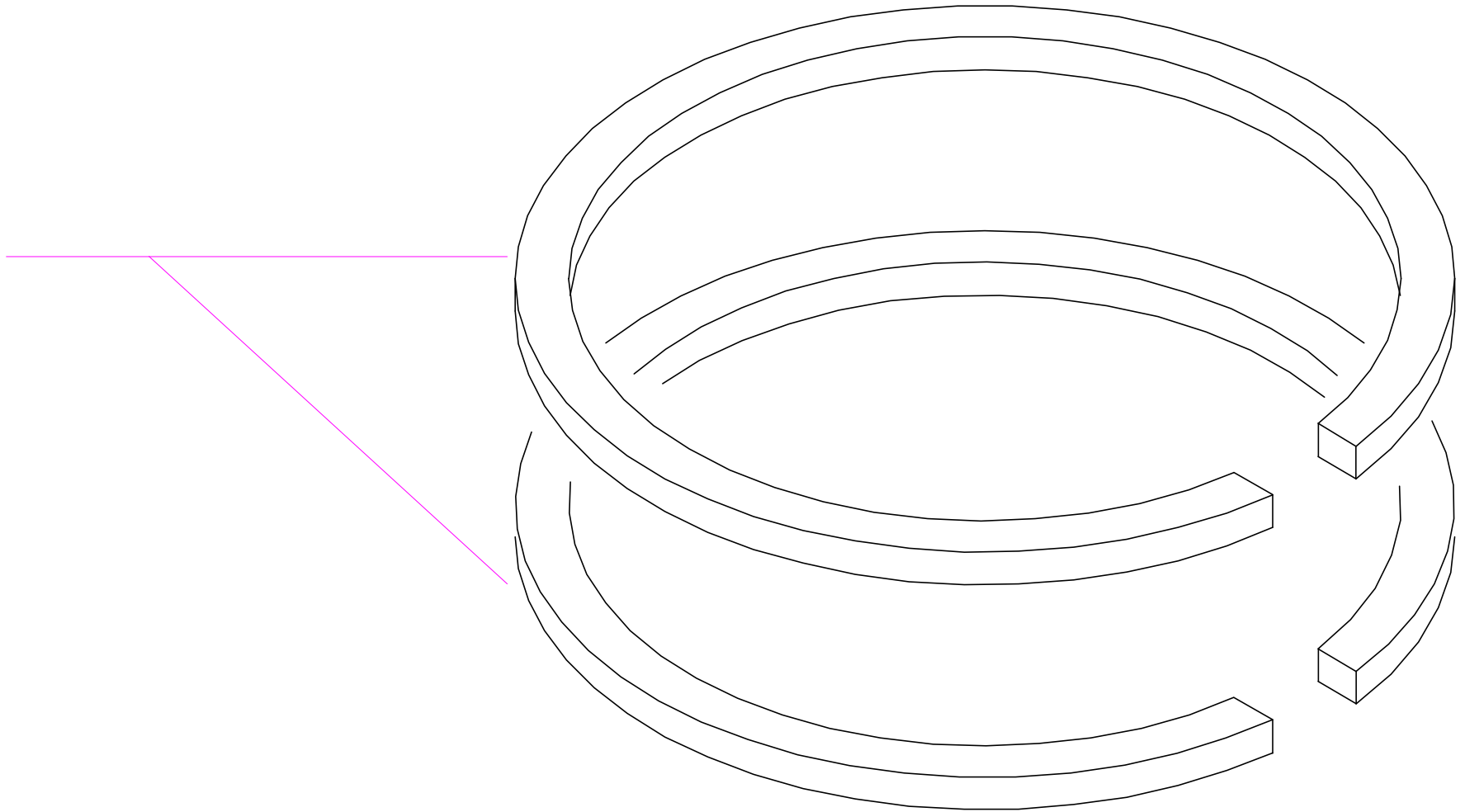
Pos	Code	Description	Serial number	Note	Q.ty
30	303204	Connecting rod kit Ø45x113 'P/SB' series			6
32	613430	Screw M8x45			12
31	614160	Conical washer Ø8.4xØ18x2			12



Piston

Pos	Code	Description	Serial number	Note	Q.ty
29	303206	Piston kit Ø70 'P/SB' series			6
29	303207	Piston kit Ø75 'P/SB' series			6

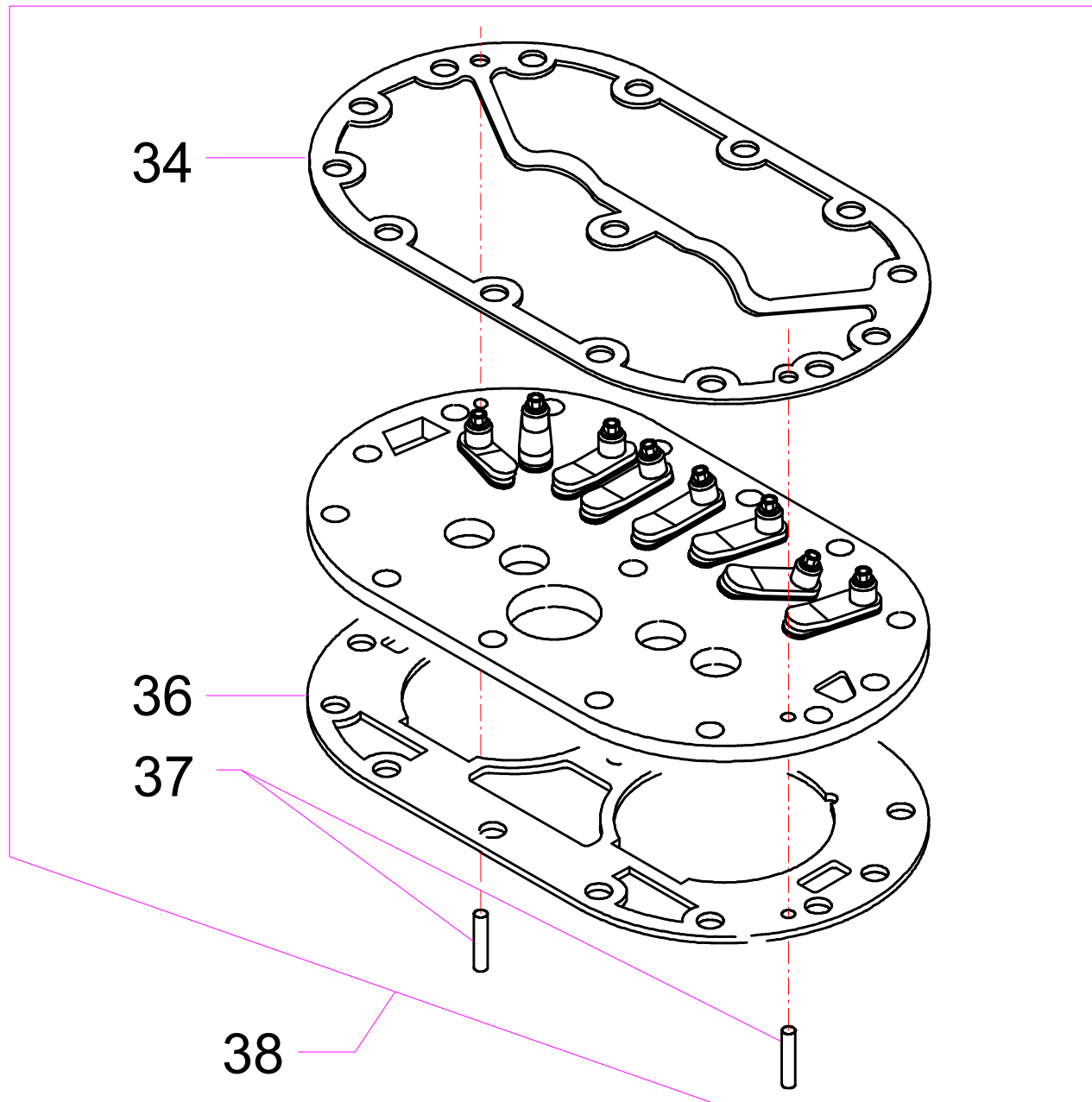
28



Compression ring

Pos	Code	Description	Serial number	Note	Q.ty
28	303210	Compression ring piston kit Ø70x1.5 'P/SB' series			6
28	303211	Compression ring piston kit Ø75 'P/SB' series			6

Compression ring

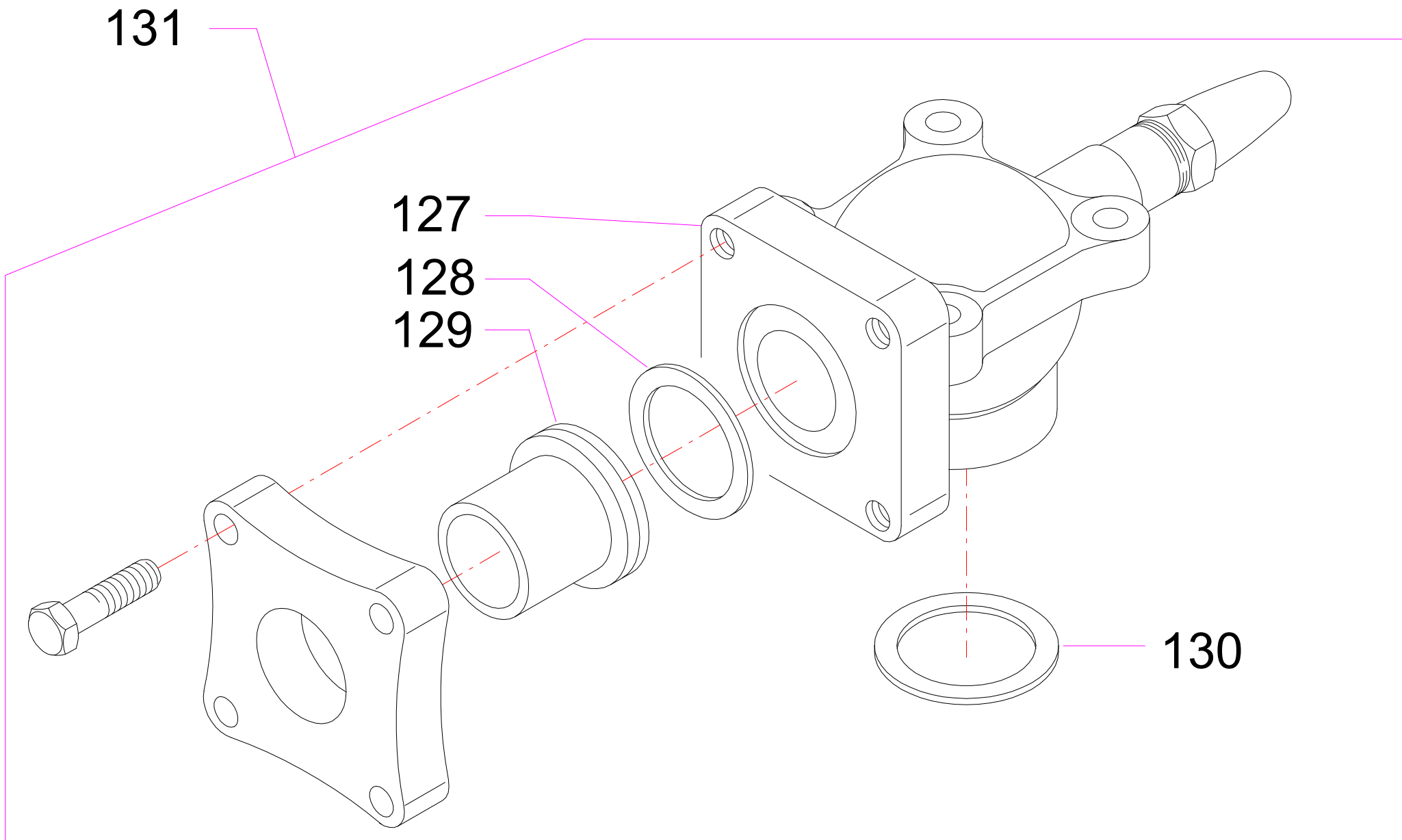


Suction-discharge valve plate

ATTENZIONE: il presente disegno è di esclusiva proprietà REFCOMP. E' fatto divieto di riproduzione e di divulgazione anche parziale secondo quanto regolato dalle norme vigenti.

ATTENTION: the present drawing is exclusively ownership of REFCOMP. Is forbidden to reproduce and to disclose, even if partialy, the present document in conformity to law regulation in force.

Pos	Code	Description	Serial number	Note	Q.ty
38	303194	Charge/discharge plate kit Ø65/70 'SP' series			3
38	303195	Charge/discharge plate kit Ø75 'SP' series			3
36	592580	Lower plate gasket Ø70			3
36	592590	Lower plate gasket Ø75			3
34	592610	Upper gasket cylinderhaed 'SP/SB' series			3
37	614360	Cylindrical pin Ø6x24			6

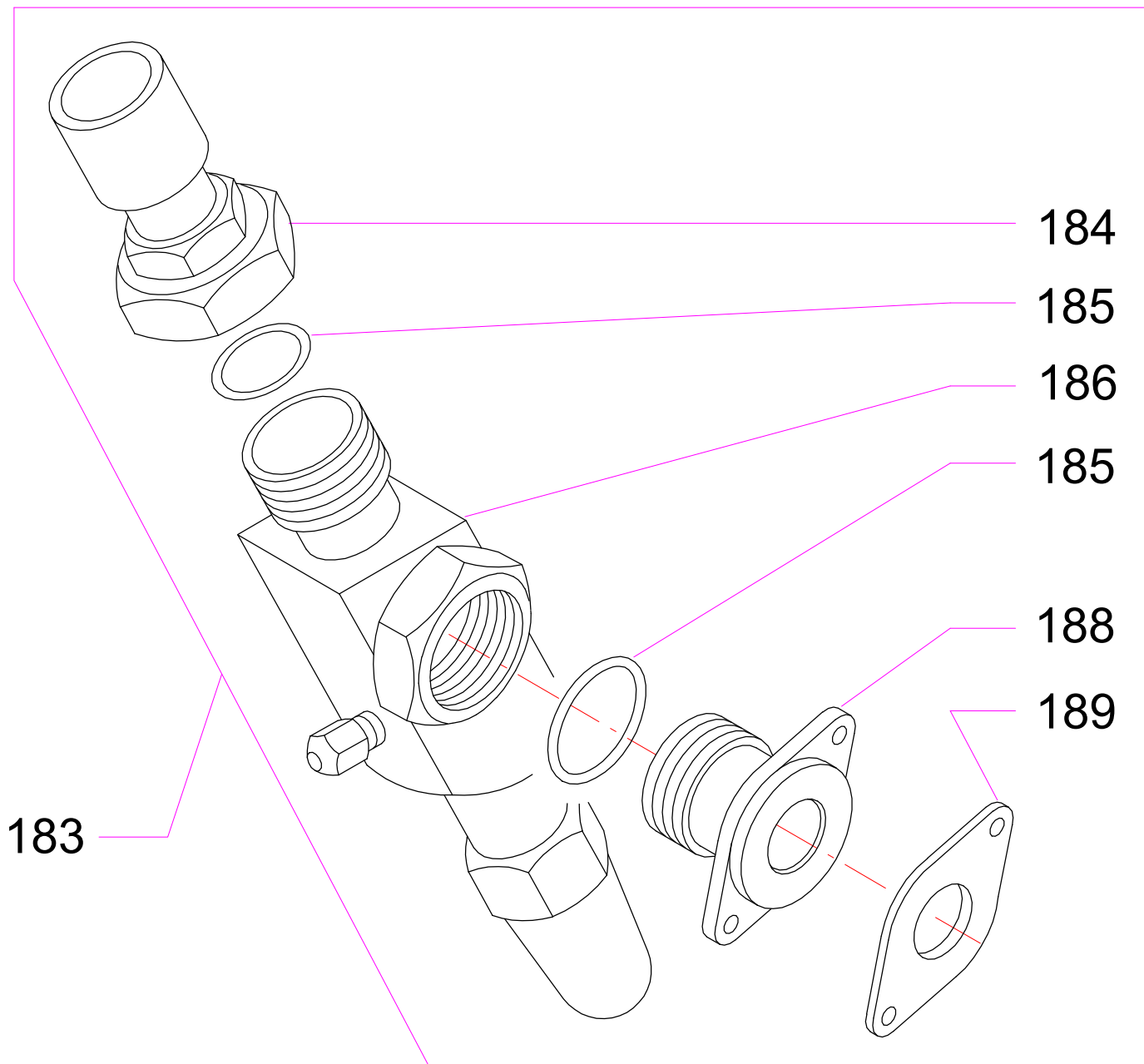


Suction shut-off valve

ATTENZIONE: il presente disegno è di esclusiva proprietà REFCOMP. E' fatto divieto di riproduzione e di divulgazione anche parziale secondo quanto regolato dalle norme vigenti.

ATTENTION: the present drawing is exclusively ownership of REFCOMP. Is forbidden to reproduce and to disclose, even if partialy, the present document in conformity to law regulation in force.

Pos	Code	Description	Serial number	Note	Q.ty
131	301630	Shut-off valve kit l=77.8 Ø54			1
127	500190	Shut-off valve l=78			1
129	511160	Bush Ø54			1
130	590260	Shut-off valve gasket Ø65xØ82x1			1
128	591120	Shut-off valve gasket Ø59xØ72.5x1			1



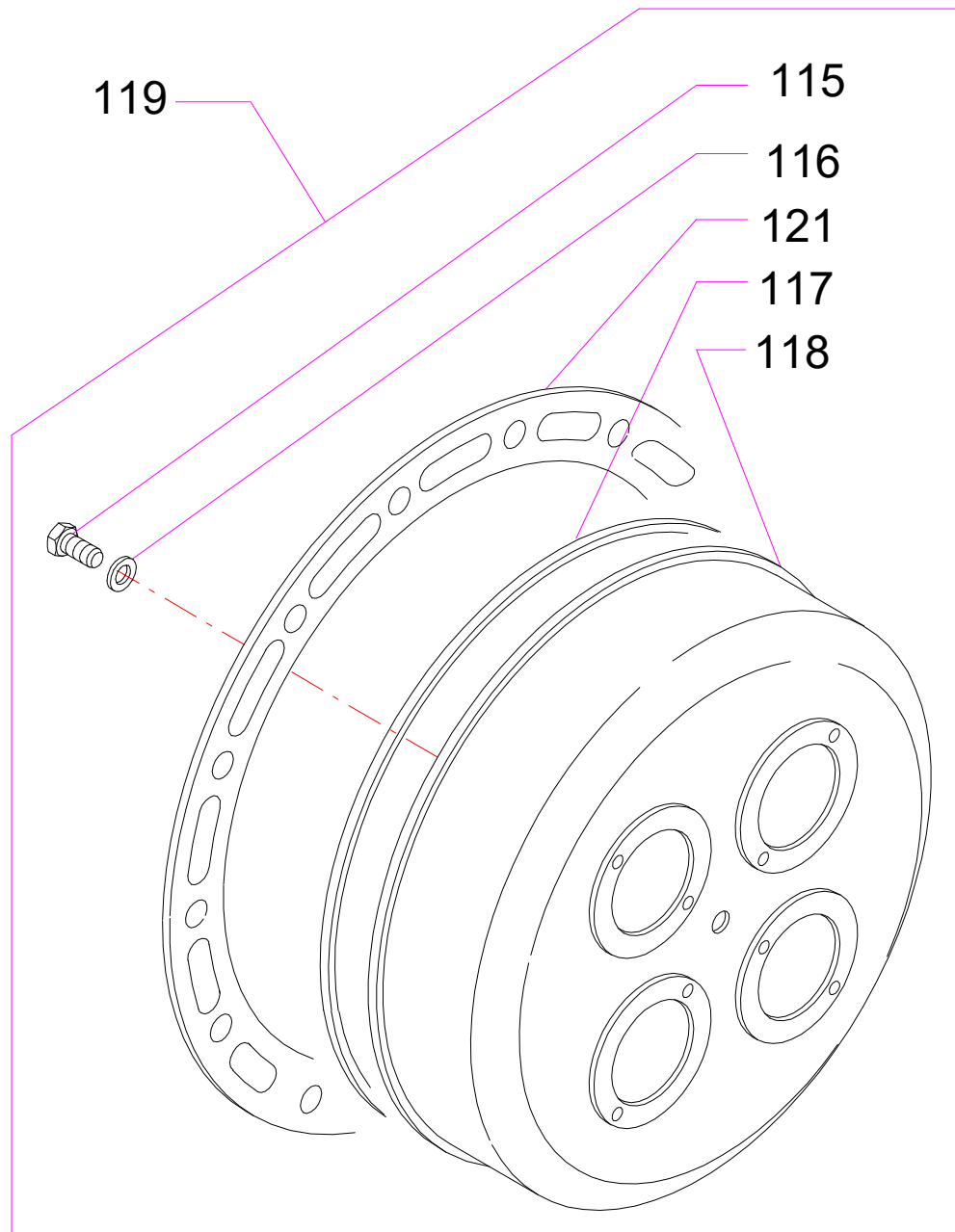
Discharge shut-off valve

ATTENZIONE: il presente disegno è di esclusiva proprietà REFCOMP. E' fatto divieto di riproduzione e di divulgazione anche parziale secondo quanto regolato dalle norme vigenti.

ATTENTION: the present drawing is exclusively ownership of REFCOMP. Is forbidden to reproduce and to disclose, even if partially, the present document in conformity to law regulation in force.

Pos	Code	Description	Serial number	Note	Q.ty
183	303233	Rotaloc shut-off valve kit 1"3/4 - 1"3/4 'P' series			1
186	502790	Rotaloc shut-off valvek 1"3/4 - 1"3/4			1
188	518800	Flangia rotalock 1"3/4NPT 'SP' series			1
185	591020	Shut-off valve gasket Ø35xØ38.1x1.5			2
189	592540	Oval flange gasket l=66			1
184	614430	Rotaloc connection 1"3/4 - Ø35			1

Discharge shut-off valve

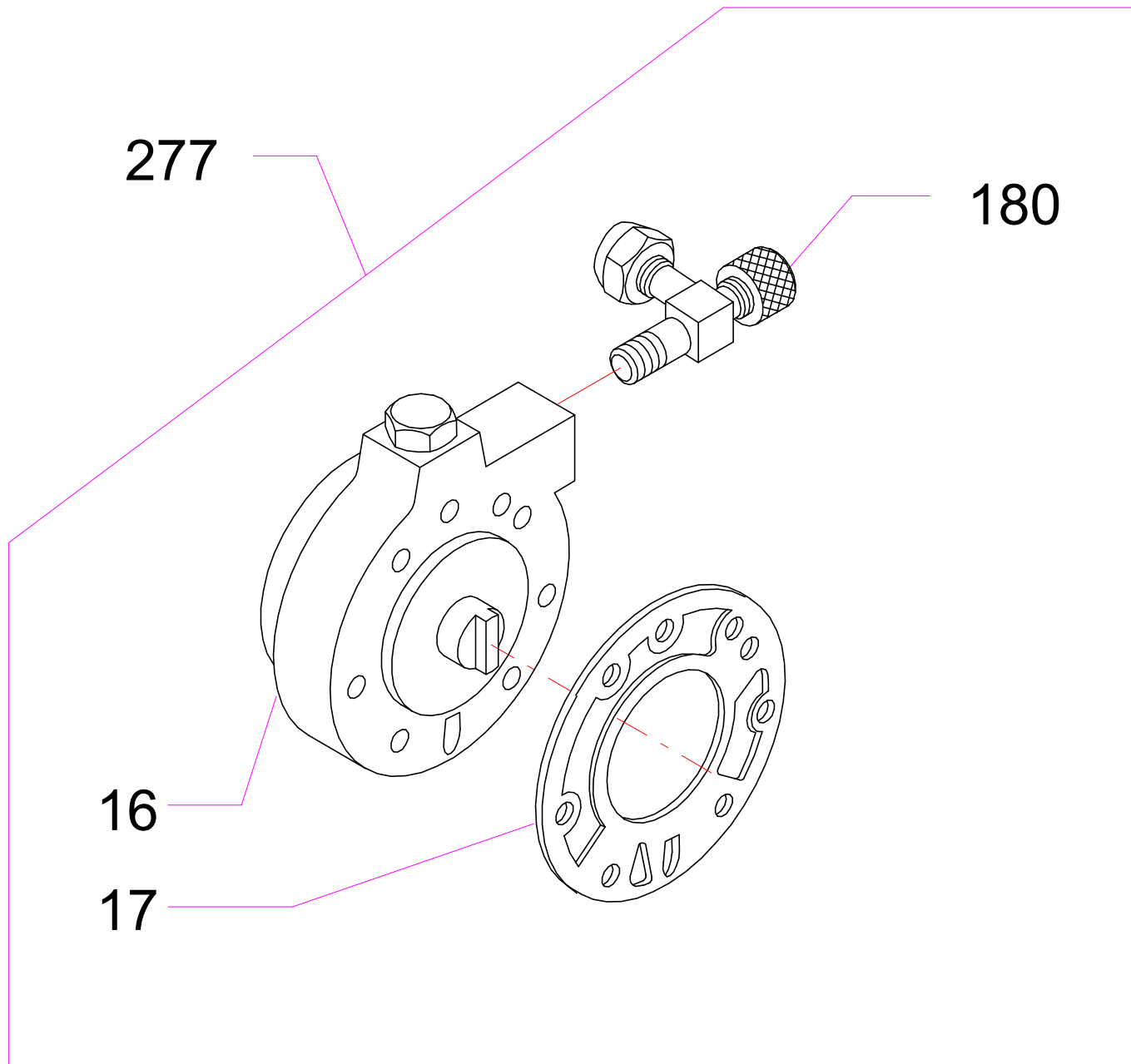


Suction strainer

ATTENZIONE: il presente disegno è di esclusiva proprietà REFCOMP.
E' fatto divieto di riproduzione e di divulgazione anche parziale secondo
quanto regolato dalle norme vigenti.

ATTENTION: the present drawing is exclusively ownership of REFCOMP.
Is forbidden to reproduce and to disclose, even if partially, the present
document in conformity to law regulation in force.

Pos	Code	Description	Serial number	Note	Q.ty
119	303177	Suction filter kit			1
118	502926	Suction filter Ø223x60			1
121	592520	Suction cover gasket Ø285x1			1
116	611000	Plane washer Ø8x17x1.6			1
115	614150	Screw M8x10			1
117	614270	Seeger ring			1

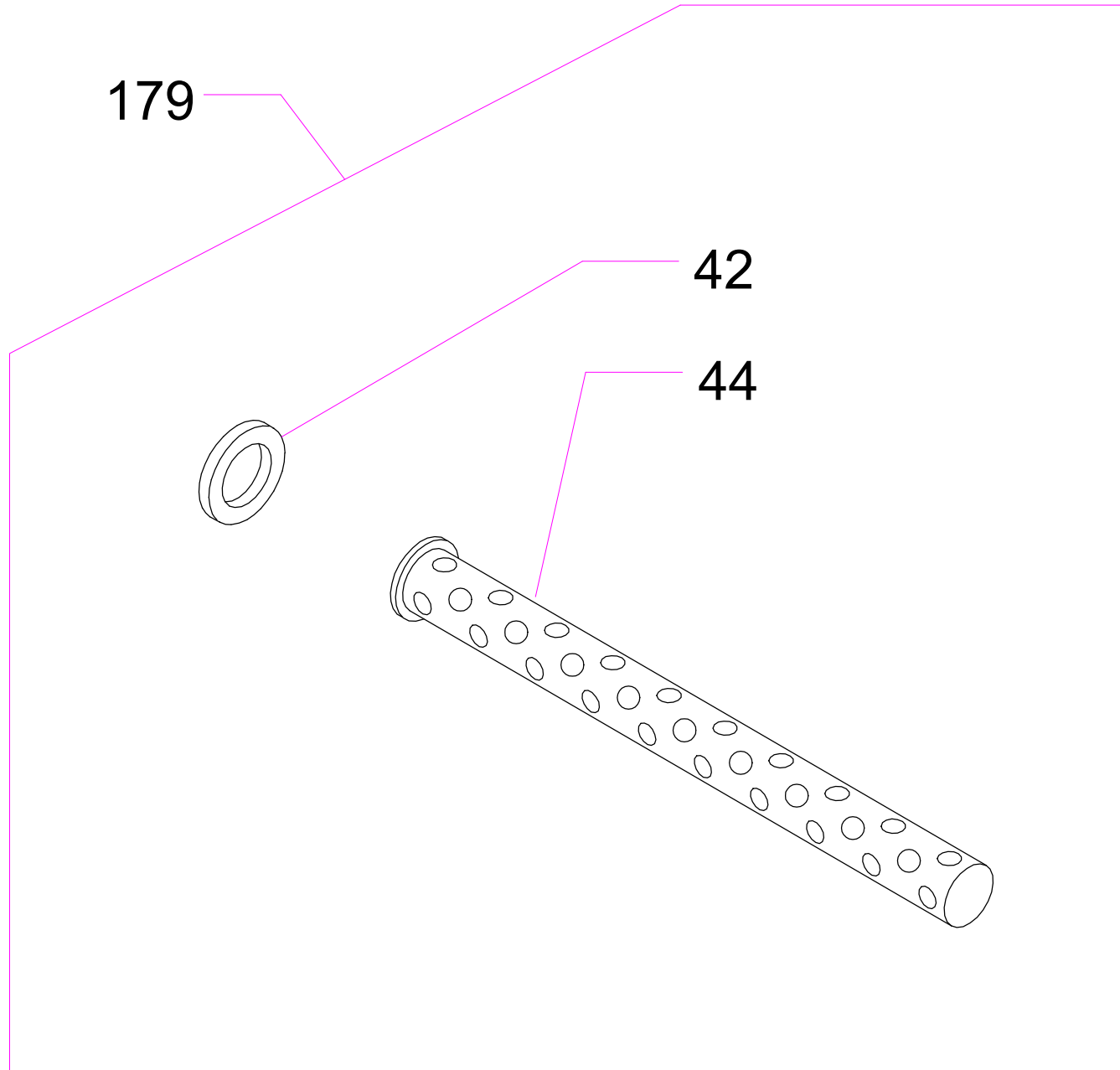


Oil pump

ATTENZIONE: il presente disegno è di esclusiva proprietà REFCOMP.
E' fatto divieto di riproduzione e di divulgazione anche parziale secondo
quanto regolato dalle norme vigenti.

ATTENTION: the present drawing is exclusively ownership of REFCOMP.
Is forbidden to reproduce and to disclose, even if partialy, the present
document in conformity to law regulation in force.

Pos	Code	Description	Serial number	Note	Q.ty
277	300840	Pump complete kit 'L' series			1
180	500261	Tee-piece union 1/8"NPT-1/4"-1/4"SAE			1
16	500950	Oil pump 'L/P/SB' series			1
17	590740	Oil pump gasket			1

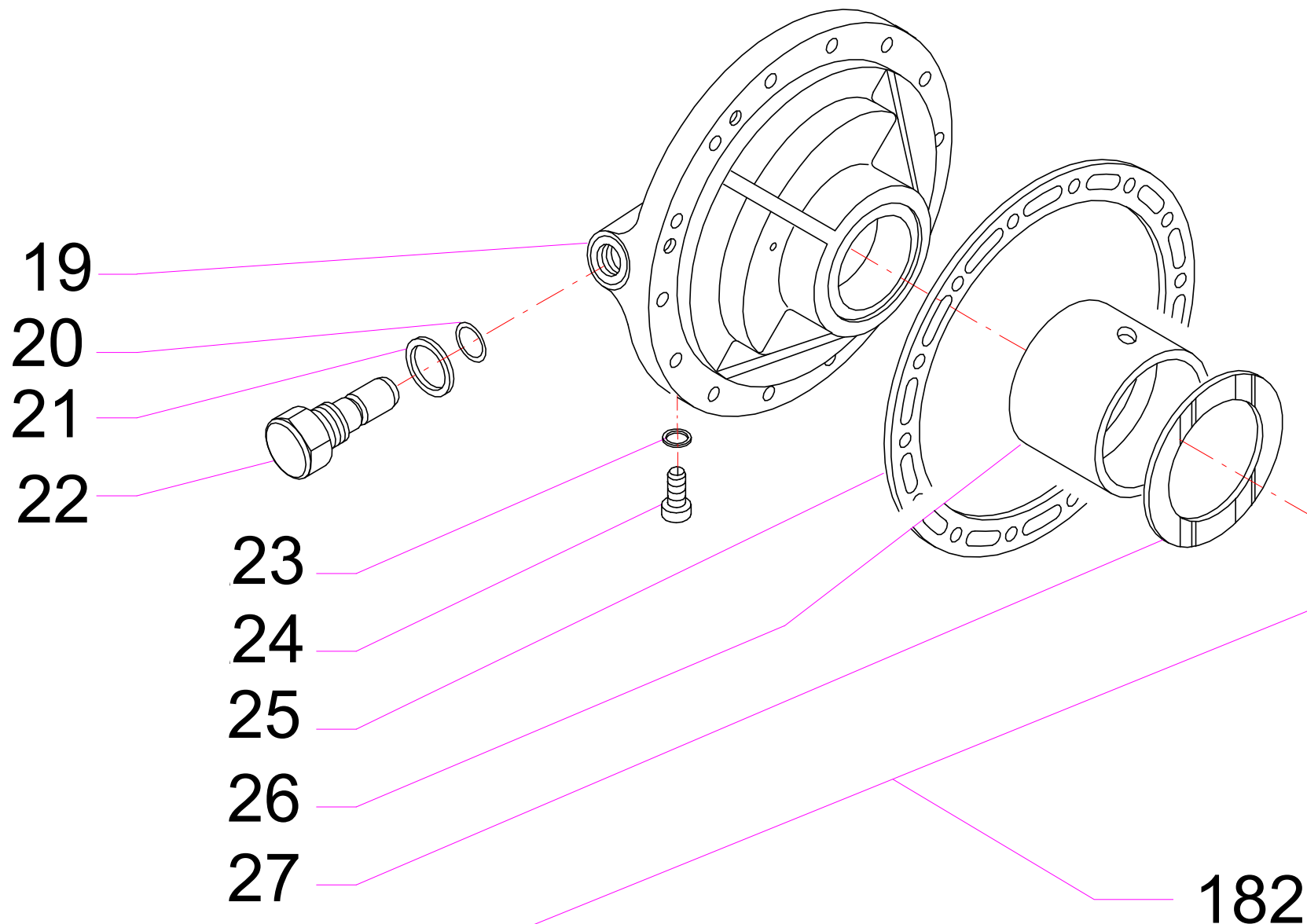


Oil strainer

ATTENZIONE: il presente disegno è di esclusiva proprietà REFCOMP.
E' fatto divieto di riproduzione e di divulgazione anche parziale secondo
quanto regolato dalle norme vigenti.

ATTENTION: the present drawing is exclusively ownership of REFCOMP.
Is forbidden to reproduce and to disclose, even if partialy, the present
document in conformity to law regulation in force.

Pos	Code	Description	Serial number	Note	Q.ty
179	303199	Oil filter kit 'SP' series			1
44	518530	Oil filter 'SP' series			1
42	613840	Aluminium washer Ø26.5xØ32x1.5			1

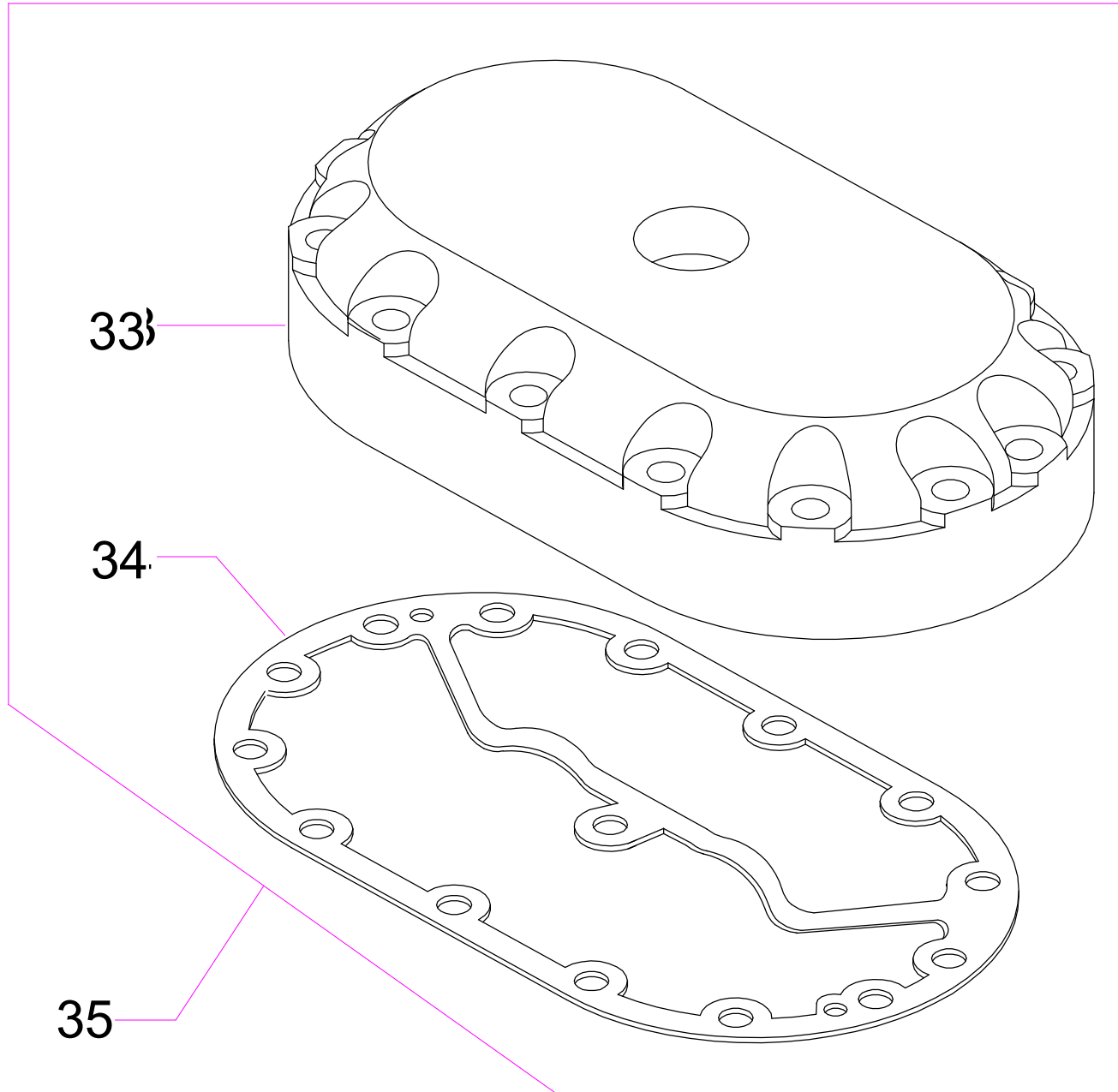


Oil pump support

ATTENZIONE: il presente disegno è di esclusiva proprietà REFCOMP. E' fatto divieto di riproduzione e di divulgazione anche parziale secondo quanto regolato dalle norme vigenti.

ATTENTION: the present drawing is exclusively ownership of REFCOMP. Is forbidden to reproduce and to disclose, even if partially, the present document in conformity to law regulation in force.

Pos	Code	Description	Serial number	Note	Q.ty
182	303230	Oil pump support kit 'P' series			1
22	518670	Differential plug of oil pump support 'SP' series			1
19	533271	Oil pump support Ø45			1
25	592530	Oil pump support gasket Ø189x1			1
24	614150	Screw M8x10			1
21	620090	Alluminium plane washer Ø20.5xØ24x1.5			1
23	620100	Alluminium plane washer Ø8xØ14x1.5			1
20	690190	O-ring OR2043			1

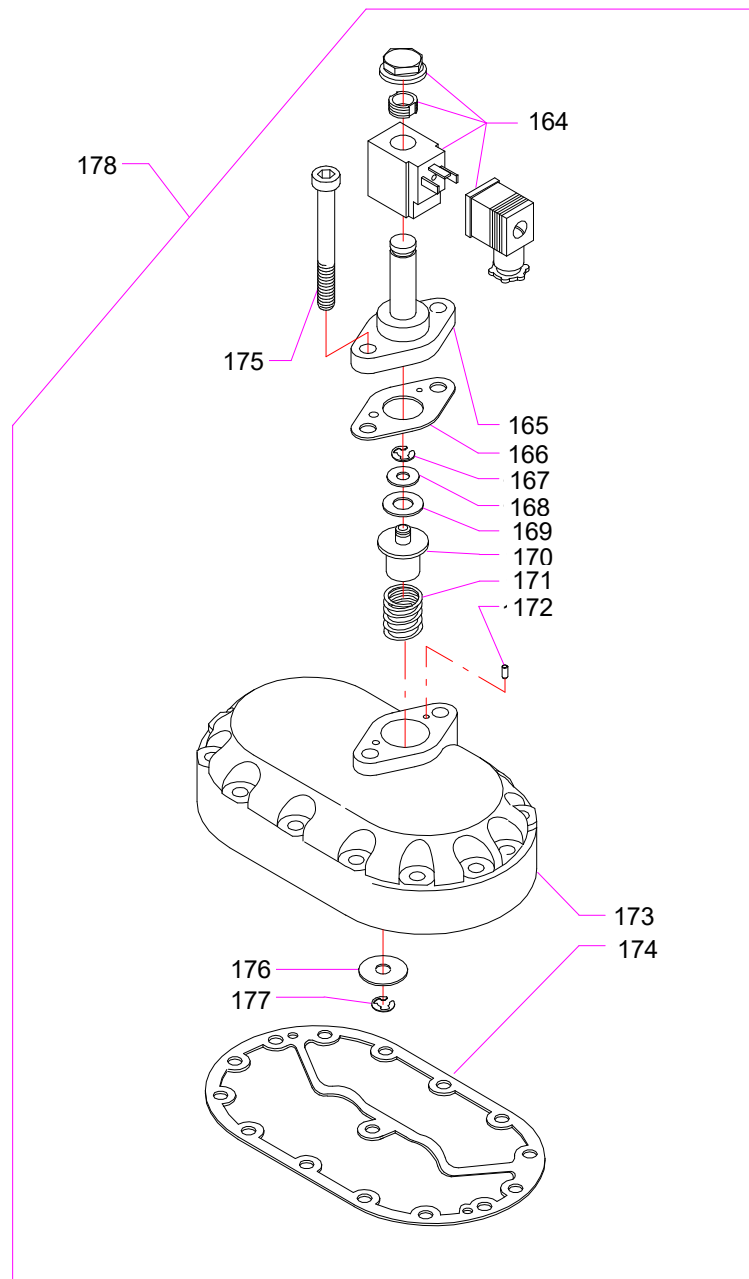


Standard head

ATTENZIONE: il presente disegno è di esclusiva proprietà REFCOMP.
E' fatto divieto di riproduzione e di divulgazione anche parziale secondo
quanto regolato dalle norme vigenti.

ATTENTION: the present drawing is exclusively ownership of REFCOMP.
Is forbidden to reproduce and to disclose, even if partialy, the present
document in conformity to law regulation in force.

Pos	Code	Description	Serial number	Note	Q.ty
35	303141	Standard cylinderhead kit 'SP' series			3
33	533250	Standard cylinderhead 'SP' series			3
34	592610	Upper gasket cylinderhead 'SP/SB' series			3



Capacity control cylinderhead

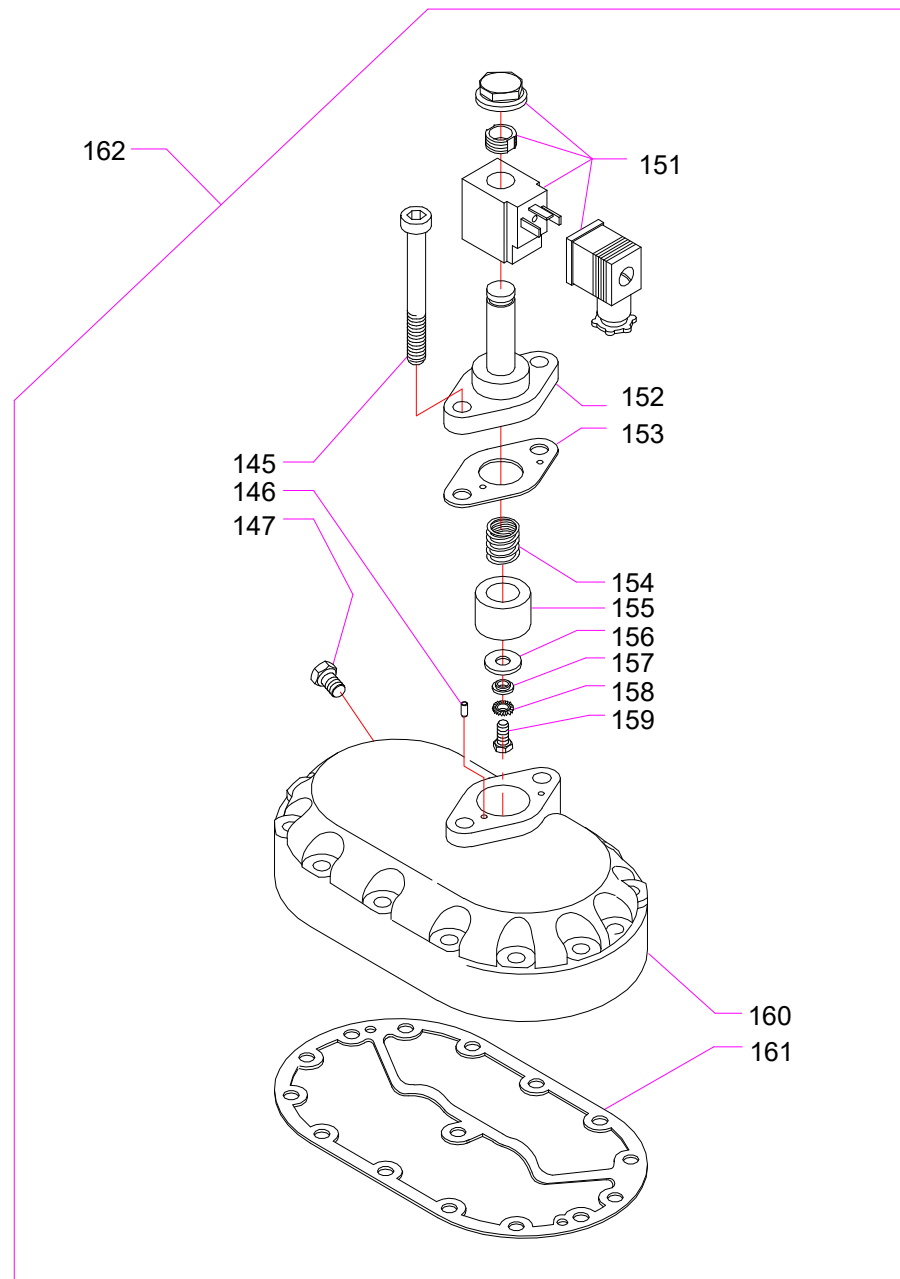
ATTENZIONE: il presente disegno è di esclusiva proprietà REFCOMP. E' fatto divieto di riproduzione e di divulgazione anche parziale secondo quanto regolato dalle norme vigenti.

ATTENTION: the present drawing is exclusively ownership of REFCOMP. Is forbidden to reproduce and to disclose, even if partially, the present document in conformity to law regulation in force.

Pos	Code	Description	Serial number	Note	Q.ty
178	303135	Capacity control cylinderhead kit 230V 50/60Hz 'SP' series			1
178	303135	Capacity control cylinderhead kit 230V 50/60Hz 'SP' series			2
178	303136	Capacity control cylinderhead kit 110V 50/60Hz 'SP' series			2
178	303136	Capacity control cylinderhead kit 110V 50/60Hz 'SP' series			1
178	303137	Capacity control cylinderhead kit 24V 50/60Hz 'SP' series			1
178	303137	Capacity control cylinderhead kit 24V 50/60Hz 'SP' series			2
173	502916	Capacity control cylinderhead 'SP' series			1
173	502916	Capacity control cylinderhead 'SP' series			2
170	518340	Unloader piston			1
170	518340	Unloader piston			2
171	518350	Unloading piston spring			1
171	518350	Unloading piston spring			2
176	518360	Suction closing plate unloader piston			1
176	518360	Suction closing plate unloader piston			2
168	518370	Unloading piston stopper disk			2
168	518370	Unloading piston stopper disk			1
169	592500	Seal ring unloader piston			1
169	592500	Seal ring unloader piston			2
174	592610	Upper gasket cylinderhaed 'SP/SB' series			2
174	592610	Upper gasket cylinderhaed 'SP/SB' series			1
175	611400	Screw M10x110			2
175	611400	Screw M10x110			4
172	611920	Cylindrical pin Ø3x10			2
172	611920	Cylindrical pin Ø3x10			1
167	614230	Seeger			1
177	614230	Seeger			1
177	614230	Seeger			2
167	614230	Seeger			2

Capacity control cylinderhead

www.refcomp.it
spareparts@refcomp.it



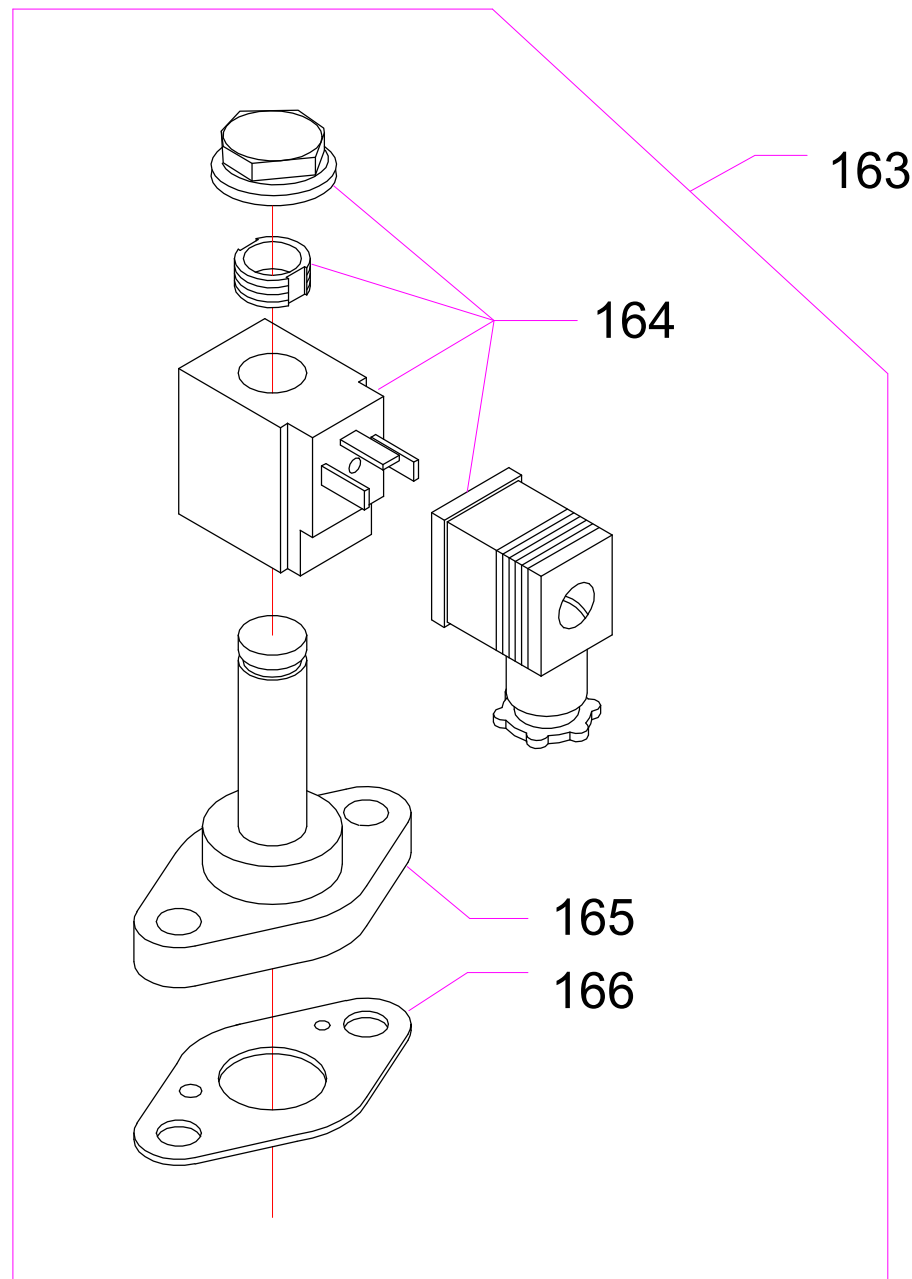
Start unloader head

ATTENZIONE: il presente disegno è di esclusiva proprietà REFCOMP. E' fatto divieto di riproduzione e di divulgazione anche parziale secondo quanto regolato dalle norme vigenti.

ATTENTION: the present drawing is exclusively ownership of REFCOMP. Is forbidden to reproduce and to disclose, even if partially, the present document in conformity to law regulation in force.

Pos	Code	Description	Serial number	Note	Q.ty
162	303138	Unloader start cylinderhead kit 230V 50/60Hz 'SP' series			1
162	303139	Unloader start cylinderhead kit 110V 50/60Hz 'SP' series			1
162	303140	Unloader start cylinderhead kit 24V 50/60Hz 'SP' series			1
160	502917	Unloader start cylinderhead 'SP' series			1
155	518832	Unloader start piston 'SP' series			1
154	518833	Unloader start piston spring 'SP' series			1
157	518834	Unloading start stopper 'SP' series			1
147	519143	Plug 1/8" NPT			2
161	592610	Upper gasket cylinderhead 'SP/SB' series			1
156	592690	Unloading start piston seal			1
158	610880	Schnorr washer			1
145	611400	Screw M10x110			2
146	611920	Cylindrical pin Ø3x10			1
159	612780	Screw M6x12			1

Start unloader head

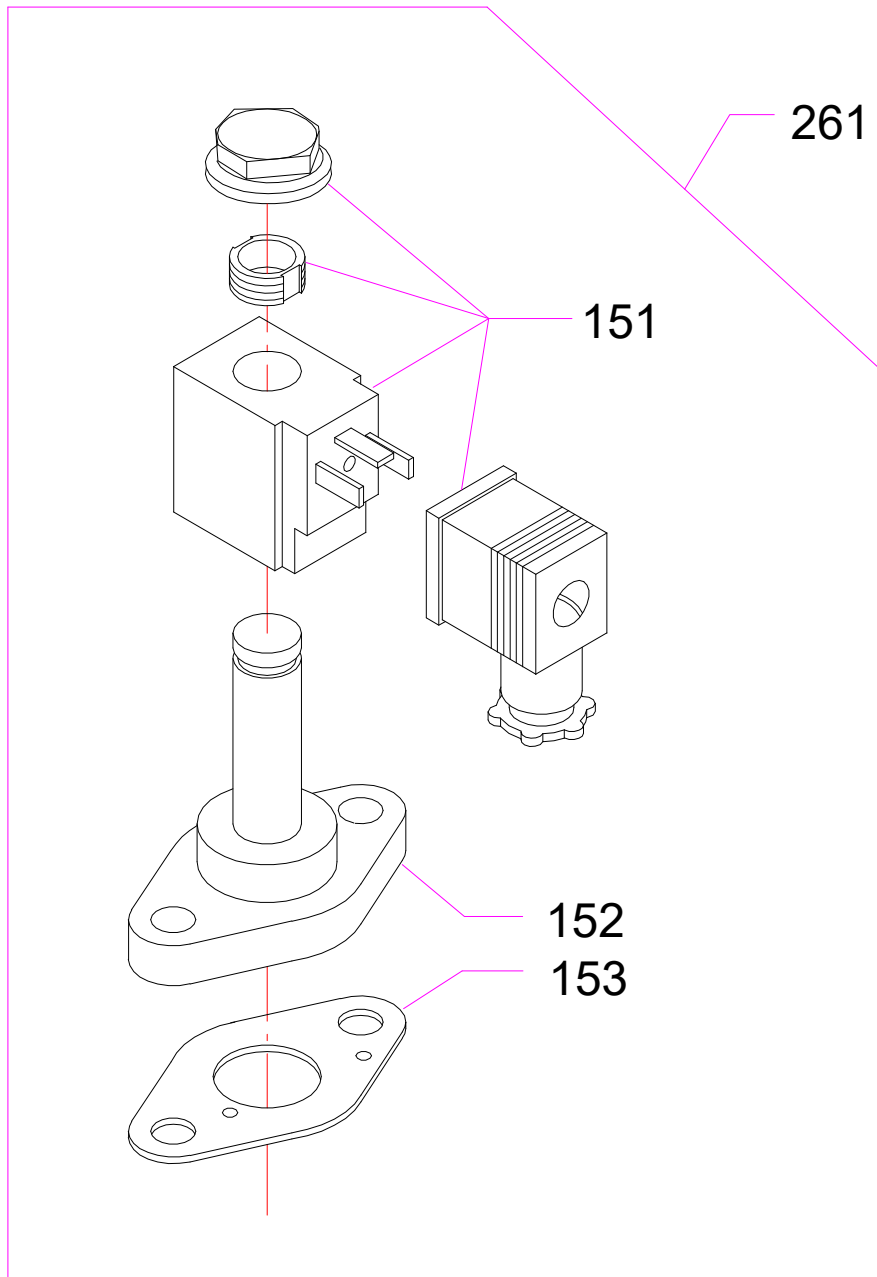


Capacity control solenoid valve

ATTENZIONE: il presente disegno è di esclusiva proprietà REFCOMP. E' fatto divieto di riproduzione e di divulgazione anche parziale secondo quanto regolato dalle norme vigenti.

ATTENTION: the present drawing is exclusively ownership of REFCOMP. Is forbidden to reproduce and to disclose, even if partially, the present document in conformity to law regulation in force.

Pos	Code	Description	Serial number	Note	Q.ty
163	303226	Capacity solenoid valve kit 24V 'P' series			2
163	303226	Capacity solenoid valve kit 24V 'P' series			1
163	303227	Capacity solenoid valve kit 110V 'P' series			1
163	303227	Capacity solenoid valve kit 110V 'P' series			2
163	303228	Capacity solenoid valve kit 230V 'P' series			1
163	303228	Capacity solenoid valve kit 230V 'P' series			2
166	592620	Solenoid valve gasket I=66			1
166	592620	Solenoid valve gasket I=66			2
164	760210	Coil 230V AC 50/60Hz			1
164	760210	Coil 230V AC 50/60Hz			2
164	760220	Coil 110V 50/60Hz			1
164	760220	Coil 110V 50/60Hz			2
164	760240	Coil 24V AC 50/60Hz			2
164	760240	Coil 24V AC 50/60Hz			1
165	760480	Solenoid valve I=66 'CR'			2
165	760480	Solenoid valve I=66 'CR'			1



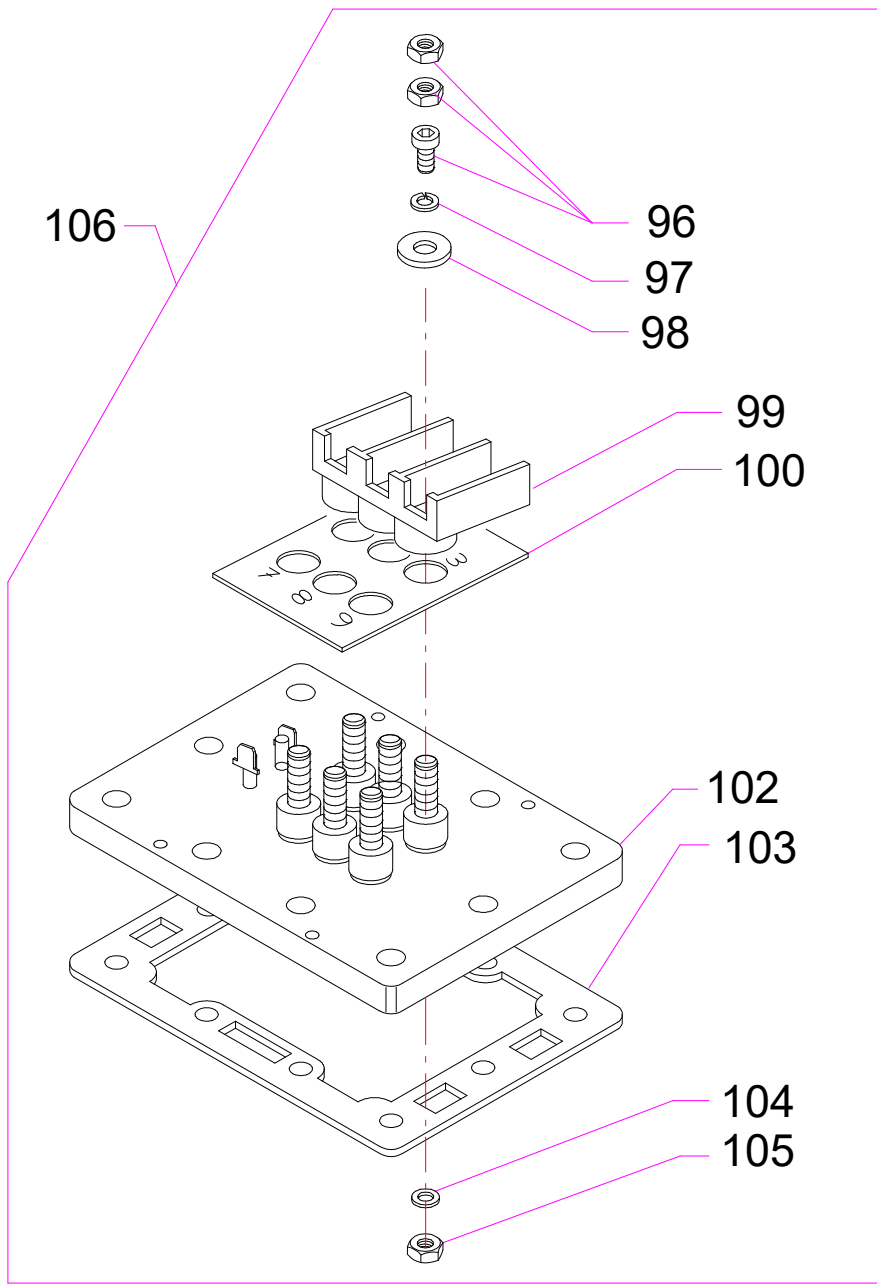
Start unloader solenoid valve

ATTENZIONE: il presente disegno è di esclusiva proprietà REFCOMP.
E' fatto divieto di riproduzione e di divulgazione anche parziale secondo
quanto regolato dalle norme vigenti.

ATTENTION: the present drawing is exclusively ownership of REFCOMP.
Is forbidden to reproduce and to disclose, even if partially, the present
document in conformity to law regulation in force.

Pos	Code	Description	Serial number	Note	Q.ty
261	303223	Unloader start solenoid valve kit 24V 'P' series			1
261	303224	Unloader start solenoid valve kit 110V 'P' series			1
261	303225	Unloader start solenoid valve kit 230V 'P' series			1
153	592620	Solenoid valve gasket l=66			1
151	760210	Coil 230V AC 50/60Hz			1
151	760220	Coil 110V 50/60Hz			1
151	760240	Coil 24V AC 50/60Hz			1
152	760503	Solenoid valve l=66 'SU'			1

Start unloader solenoid valve



Terminal plate

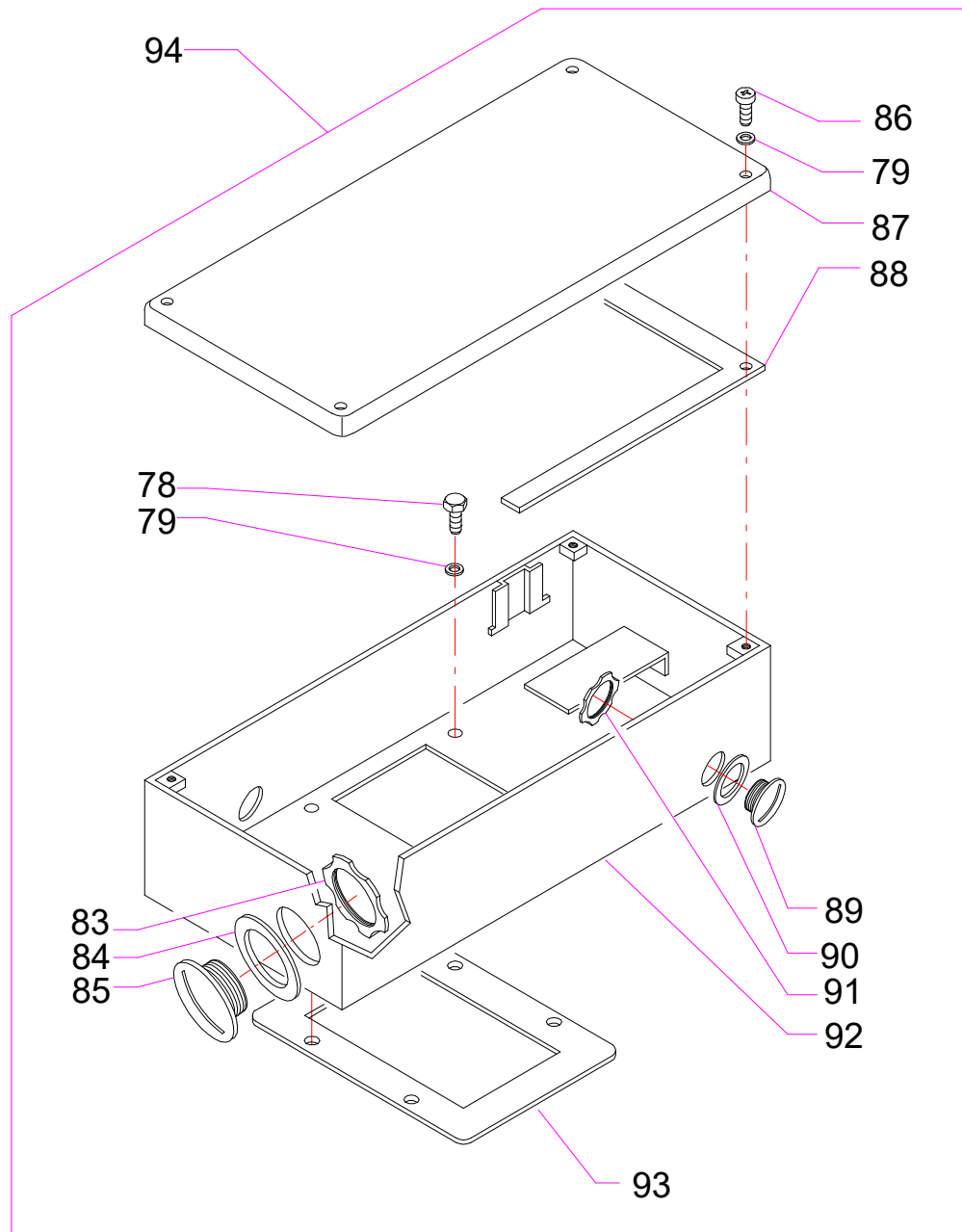
ATTENZIONE: il presente disegno è di esclusiva proprietà REFCOMP. E' fatto divieto di riproduzione e di divulgazione anche parziale secondo quanto regolato dalle norme vigenti.

ATTENTION: the present drawing is exclusively ownership of REFCOMP. Is forbidden to reproduce and to disclose, even if partially, the present document in conformity to law regulation in force.

Pos	Code	Description	Serial number	Note	Q.ty
106	303221	Terminal plate kit 'P' series			1
106	303258	Terminal plate kit 'P' series			1
102	502640	Terminal plate M8			1
102	502946	Terminal plate M8			1
99	592550	Electric terminal insulation			2
100	592560	Electric numbering			1
103	592650	Terminal plate gasket			1
96	610860	Galvanized nut M8			12
104	611010	Plane washer Ø6x14x1.5			6
105	612950	Klock nut M6			6
97	614400	Galvanized grower washer M8			6
98	614451	Large galvanized washer M8x24x2			6
96	614454	Galvanized screw M8x16			6
97	N	NOT USED			0

Terminal plate

Model: SP6L2700_3000 - SP6H3700_4000

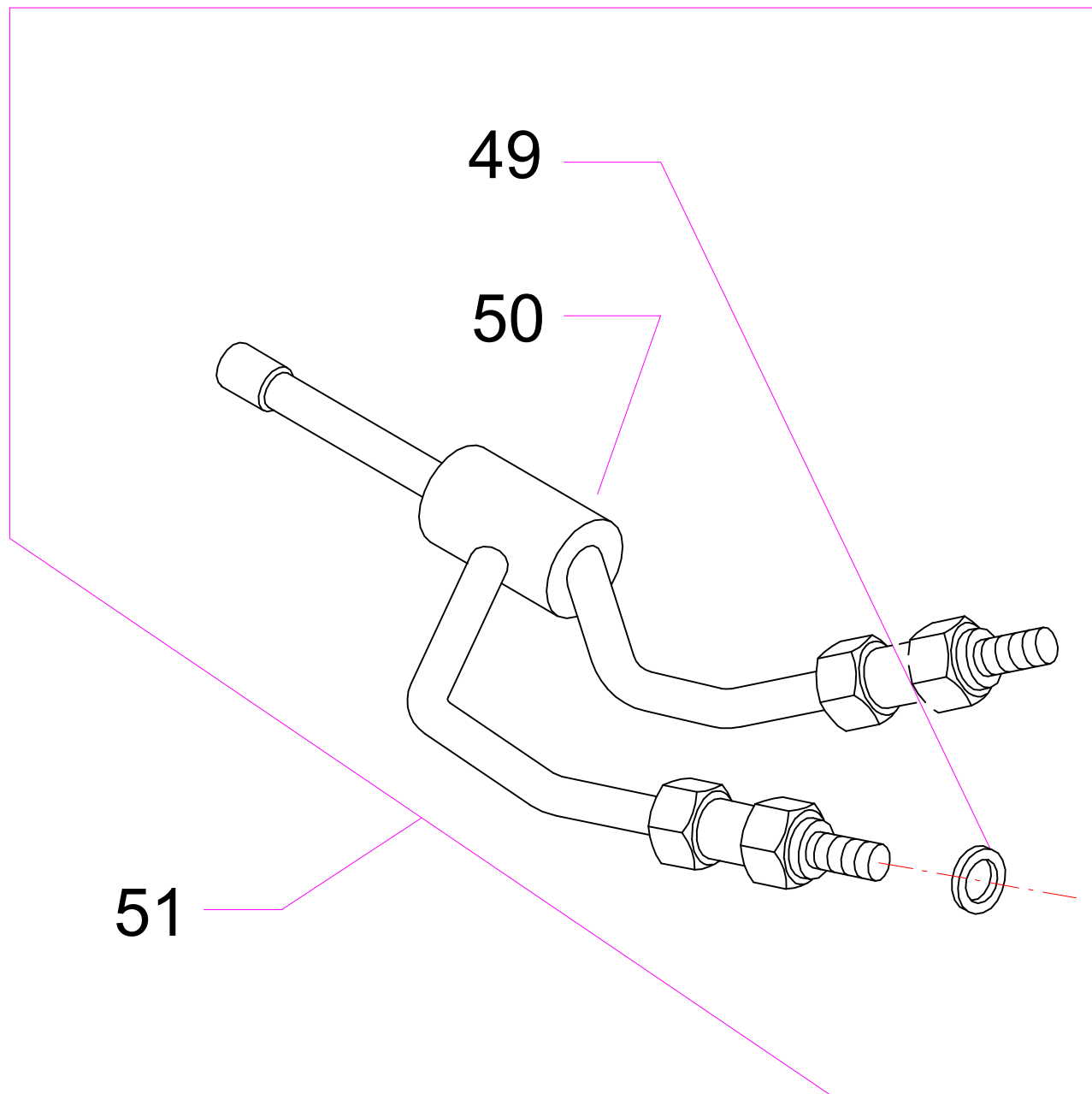


Terminal box

ATTENZIONE: il presente disegno è di esclusiva proprietà REFCOMP. E' fatto divieto di riproduzione e di divulgazione anche parziale secondo quanto regolato dalle norme vigenti.

ATTENTION: the present drawing is exclusively ownership of REFCOMP. Is forbidden to reproduce and to disclose, even if partially, the present document in conformity to law regulation in force.

Pos	Code	Description	Serial number	Note	Q.ty
94	303220	Electric box kit 'P4/6' series			1
92	518470	Electric box 'SP/SB' series			1
87	518480	Electric box cover 'P' series			1
84	590230	Rubber washer gasket PG 29			2
88	592630	Electric box cover gasket			2
93	592640	Electric box lower gasket			1
90	592737	Rubber washer gasket PG 9			2
78	611150	Galvanized screw M6x14			3
86	613960	Galvanized screw M6x16			4
85	690290	Plastic plug PG 29			2
83	690330	Plastic nut PG 29			2
91	691060	Plastic nut PG 9			2
89	691097	Plastic plug PG 9			2
79	691107	Rubber washer miniplast MP16-6			7

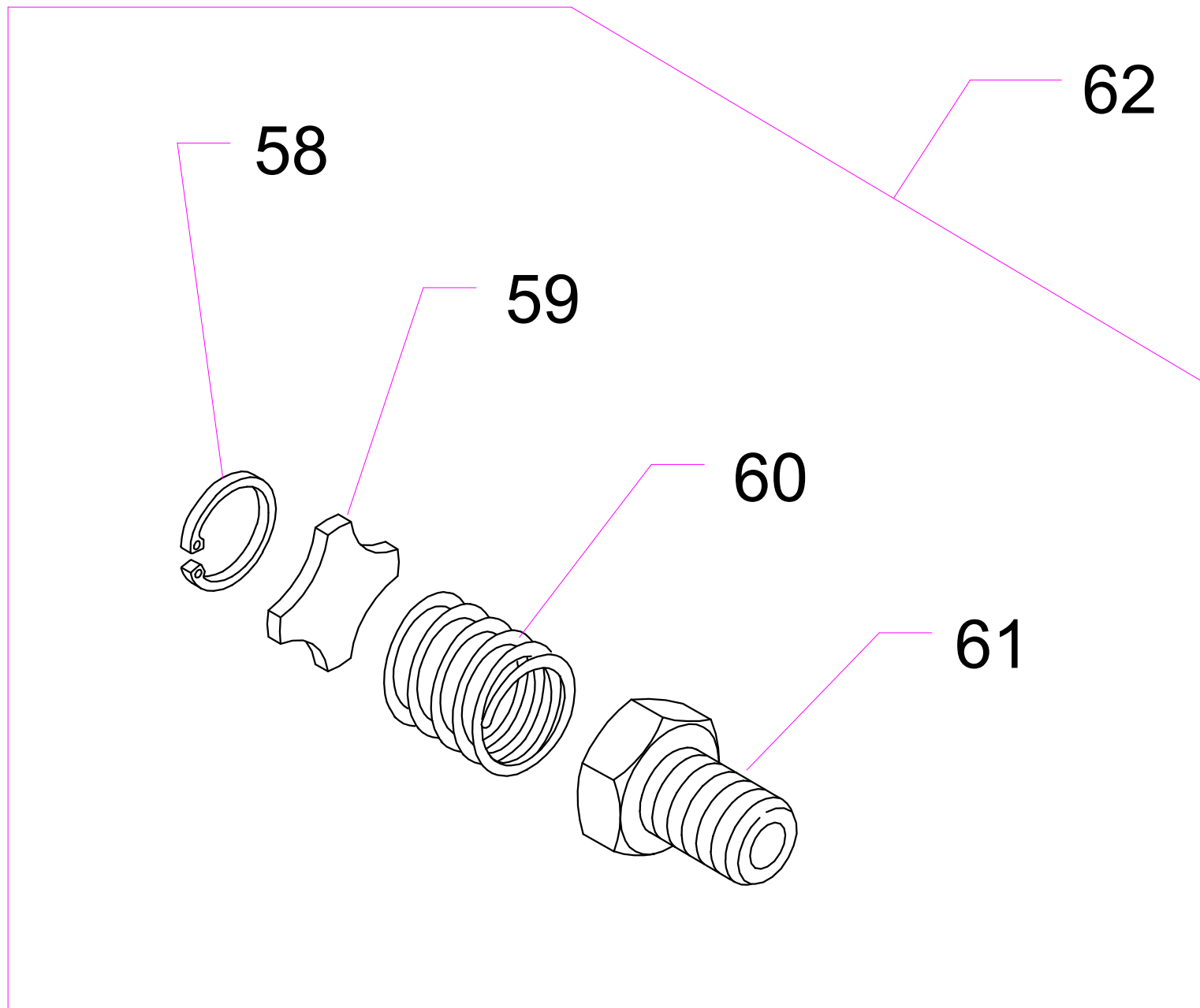


Depressor

ATTENZIONE: il presente disegno è di esclusiva proprietà REFCOMP.
E' fatto divieto di riproduzione e di divulgazione anche parziale secondo
quanto regolato dalle norme vigenti.

ATTENTION: the present drawing is exclusively ownership of REFCOMP.
Is forbidden to reproduce and to disclose, even if partialy, the present
document in conformity to law regulation in force.

Pos	Code	Description	Serial number	Note	Q.ty
51	303213	Depressor kit 'P' series			1
50	502750	Depressor 'SP' series			1
49	620070	Alluminium plane washer Ø14xØ18x1.5			1

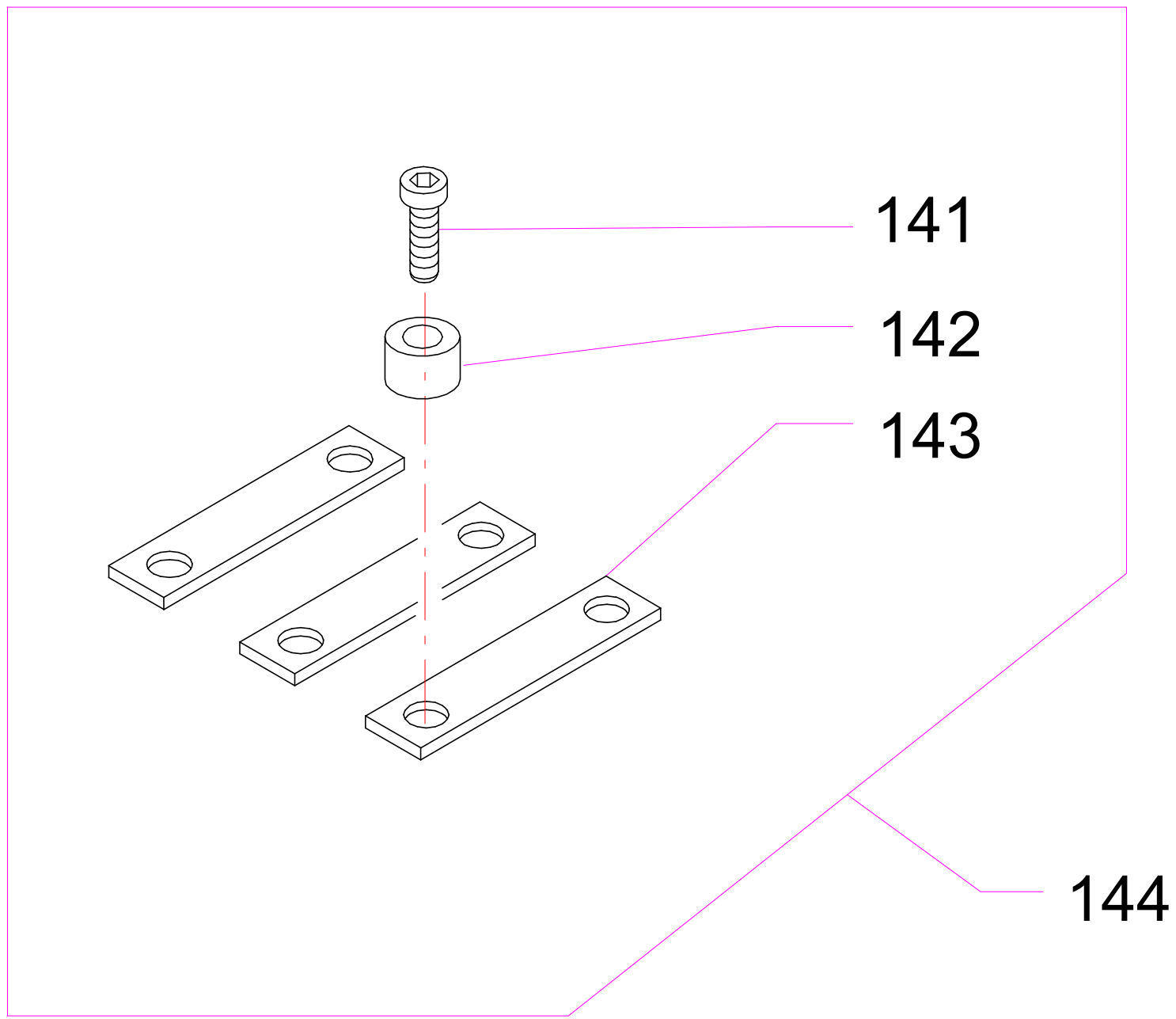


Equalising valve

ATTENZIONE: il presente disegno è di esclusiva proprietà REFCOMP.
E' fatto divieto di riproduzione e di divulgazione anche parziale secondo
quanto regolato dalle norme vigenti.

ATTENTION: the present drawing is exclusively ownership of REFCOMP.
Is forbidden to reproduce and to disclose, even if partialy, the present
document in conformity to law regulation in force.

Pos	Code	Description	Serial number	Note	Q.ty
62	303218	Equalizing valve kit 'P' series			2
60	515690	Equalising valve spring			2
59	515700	Equalising disk			2
61	518320	Equalising valve flapper body			2
58	613110	Seeger for hole Ø22			2

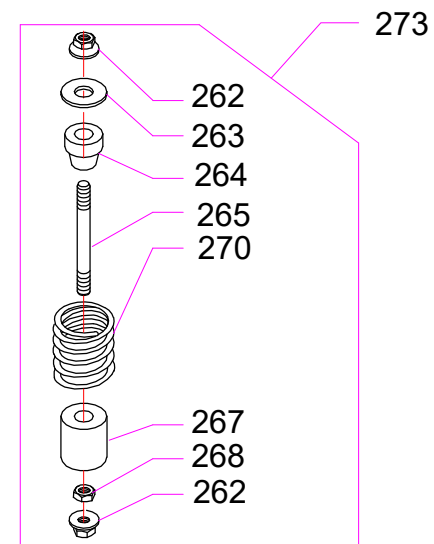
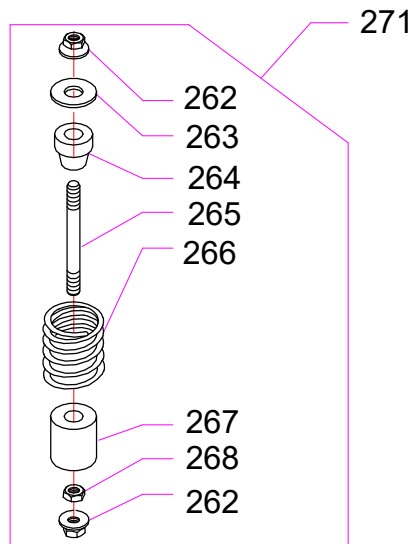
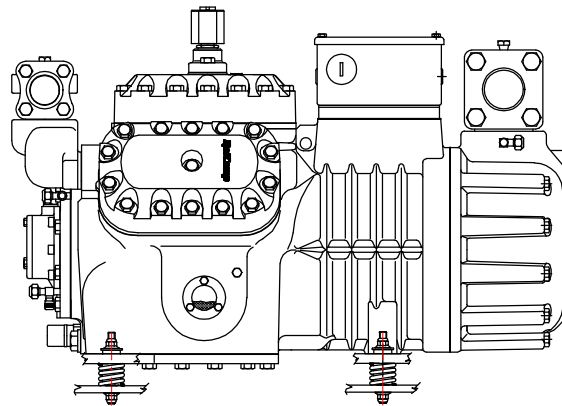


Direct starting

ATTENZIONE: il presente disegno è di esclusiva proprietà REFCOMP.
E' fatto divieto di riproduzione e di divulgazione anche parziale secondo
quanto regolato dalle norme vigenti.

ATTENTION: the present drawing is exclusively ownership of REFCOMP.
Is forbidden to reproduce and to disclose, even if partialy, the present
document in conformity to law regulation in force.

Pos	Code	Description	Serial number	Note	Q.ty
144	303167	Direct starting kit l=33			1
144	303172	Direct starting kit l=30			1
143	540200	Direct starting rail			3
142	540700	Spacer Ø8.5xØ20x10			6
141	614497	Galvanized screw M8x25			6
142	N	NOT USED			0
141	N	NOT USED			0

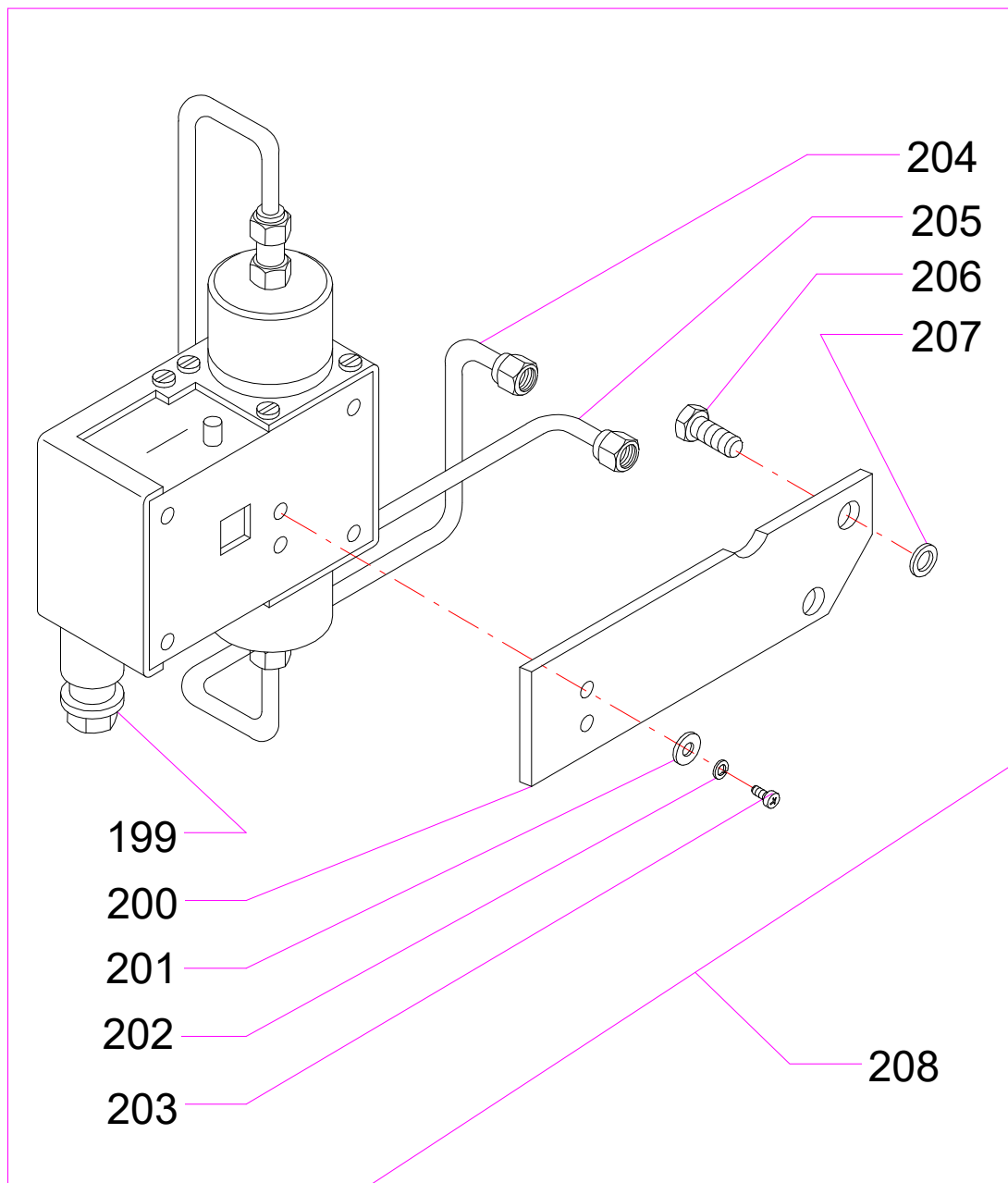


Dumpers

ATTENZIONE: il presente disegno è di esclusiva proprietà REFCOMP. E' fatto divieto di riproduzione e di divulgazione anche parziale secondo quanto regolato dalle norme vigenti.

ATTENTION: the present drawing is exclusively ownership of REFCOMP. Is forbidden to reproduce and to disclose, even if partially, the present document in conformity to law regulation in force.

Pos	Code	Description	Serial number	Note	Q.ty
271	303131	Green spring dumper kit			1
273	303132	Blue spring dumper kit			1
270	518820	Blue spring dumper 'SP' series			2
266	518821	Green spring dumper 'SP' series			2
265	518823	Tie rod dumpers M10x100 'SP' series			2
264	590970	Dumper bush			2
267	592680	Dumper spring drive			2
268	610800	Galvanized nut M10			2
263	611100	Plane washer Ø10xØ30x2			2
262	614410	Nut M10			4



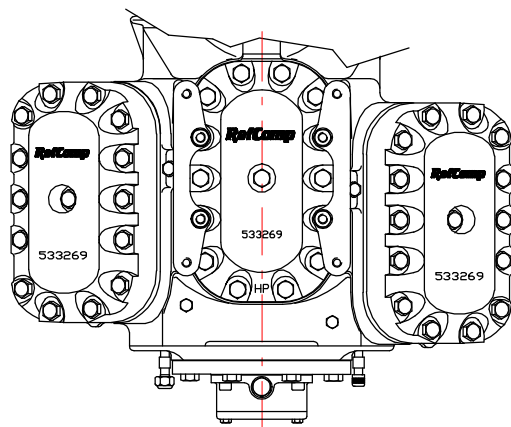
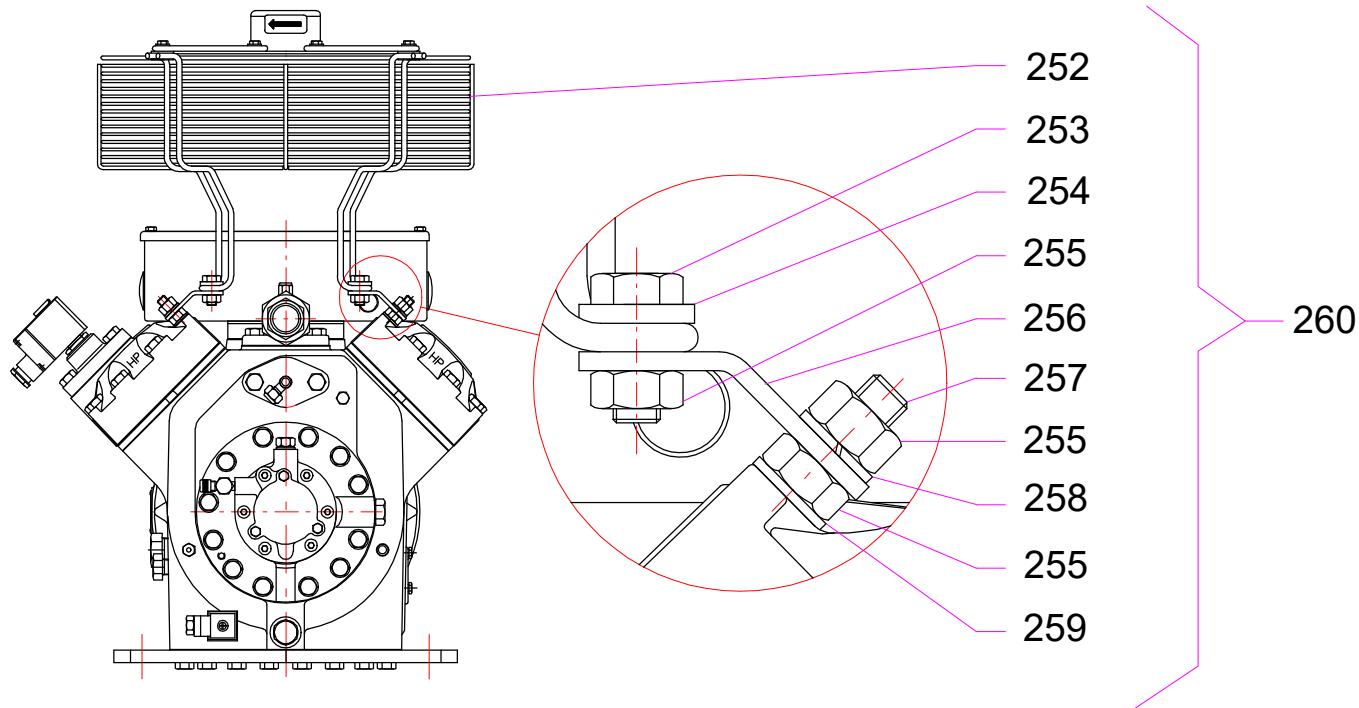
Oil pressure switch

ATTENZIONE: il presente disegno è di esclusiva proprietà REFCOMP. E' fatto divieto di riproduzione e di divulgazione anche parziale secondo quanto regolato dalle norme vigenti.

ATTENTION: the present drawing is exclusively ownership of REFCOMP. Is forbidden to reproduce and to disclose, even if partially, the present document in conformity to law regulation in force.

Pos	Code	Description	Serial number	Note	Q.ty
208	303191	Oil pressure switch MP54 kit 'P4/6' series			1
200	519044	MP54 oil flowswitch bracket 'SP/SB' series			1
205	540682	Oil pressure switch pipe MP54 L.P.			1
204	540683	Oil pressure switch pipe MP54 H.P.			1
203	610630	Galvanized screw M4x12			2
206	612150	Galvanized screw M10x35			2
207	614170	Galvanized plane washer Ø10.5xØ18x2			2
202	614463	Grower washer M4			2
201	614464	Plane washer Ø4.3xØ8x0.5			2
199	760508	Oil pressure switch MP54			1

Model: SP6L2700_3000 - SP6H3700_4000



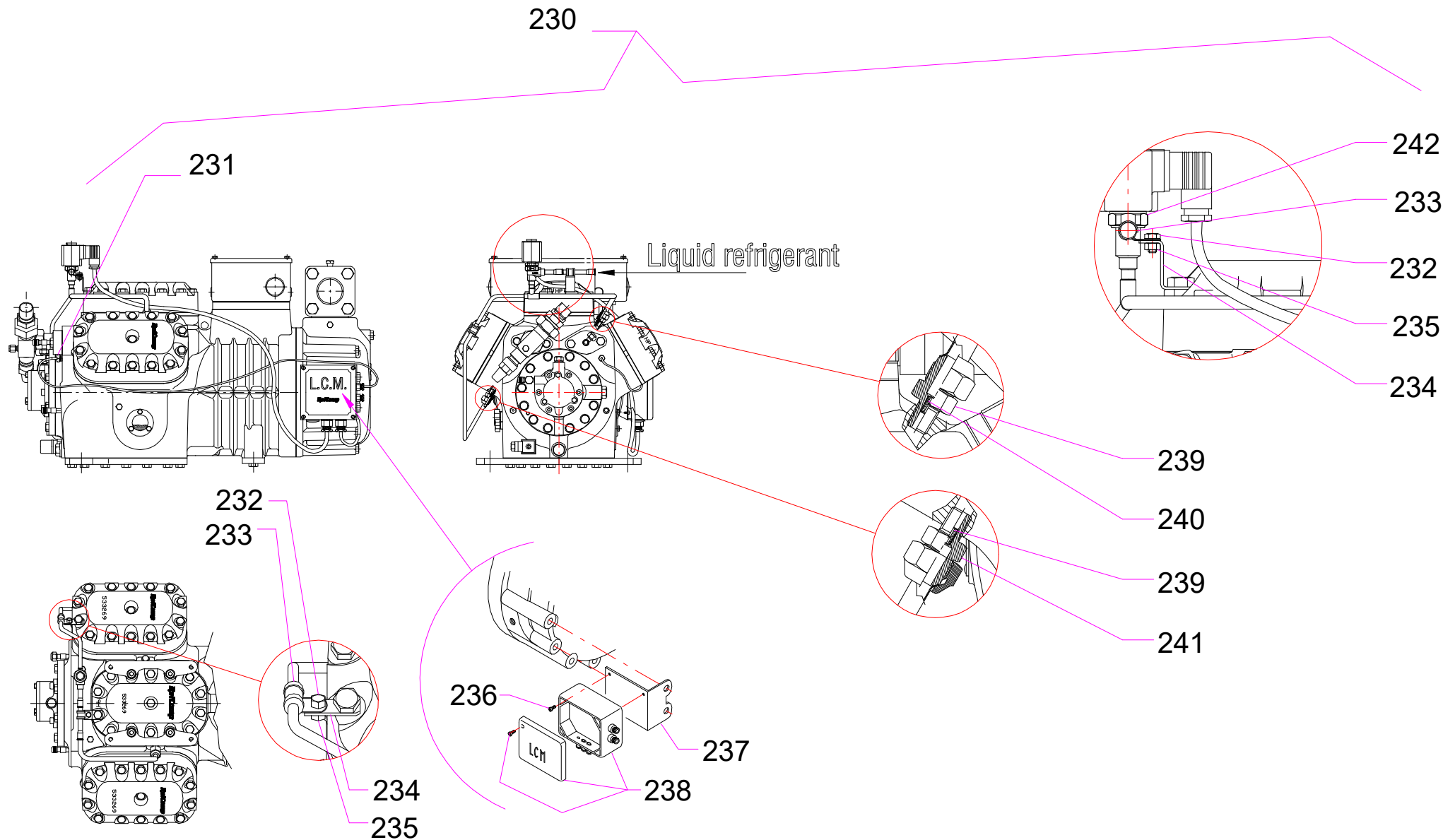
Additional fan

ATTENZIONE: il presente disegno è di esclusiva proprietà REFCOMP. E' fatto divieto di riproduzione e di divulgazione anche parziale secondo quanto regolato dalle norme vigenti.

ATTENTION: the present drawing is exclusively ownership of REFCOMP. Is forbidden to reproduce and to disclose, even if partialy, the present document in conformity to law regulation in force.

Pos	Code	Description	Serial number	Note	Q.ty
260	303154	Additional fan kit 'SP6' series			1
256	518994	Fan bracket 'SP6' series			2
257	518995	Tie rod fan M10x105 'SP' series			4
255	610820	Galvanized nut M10			12
253	612150	Galvanized screw M10x35			4
259	613910	Plane washer Ø10.5xØ20x2			4
258	613950	Grower washer M10			4
254	614457	Plane washer Ø10.5xØ28x4			4
252	760509	Fan			1

Additional fan

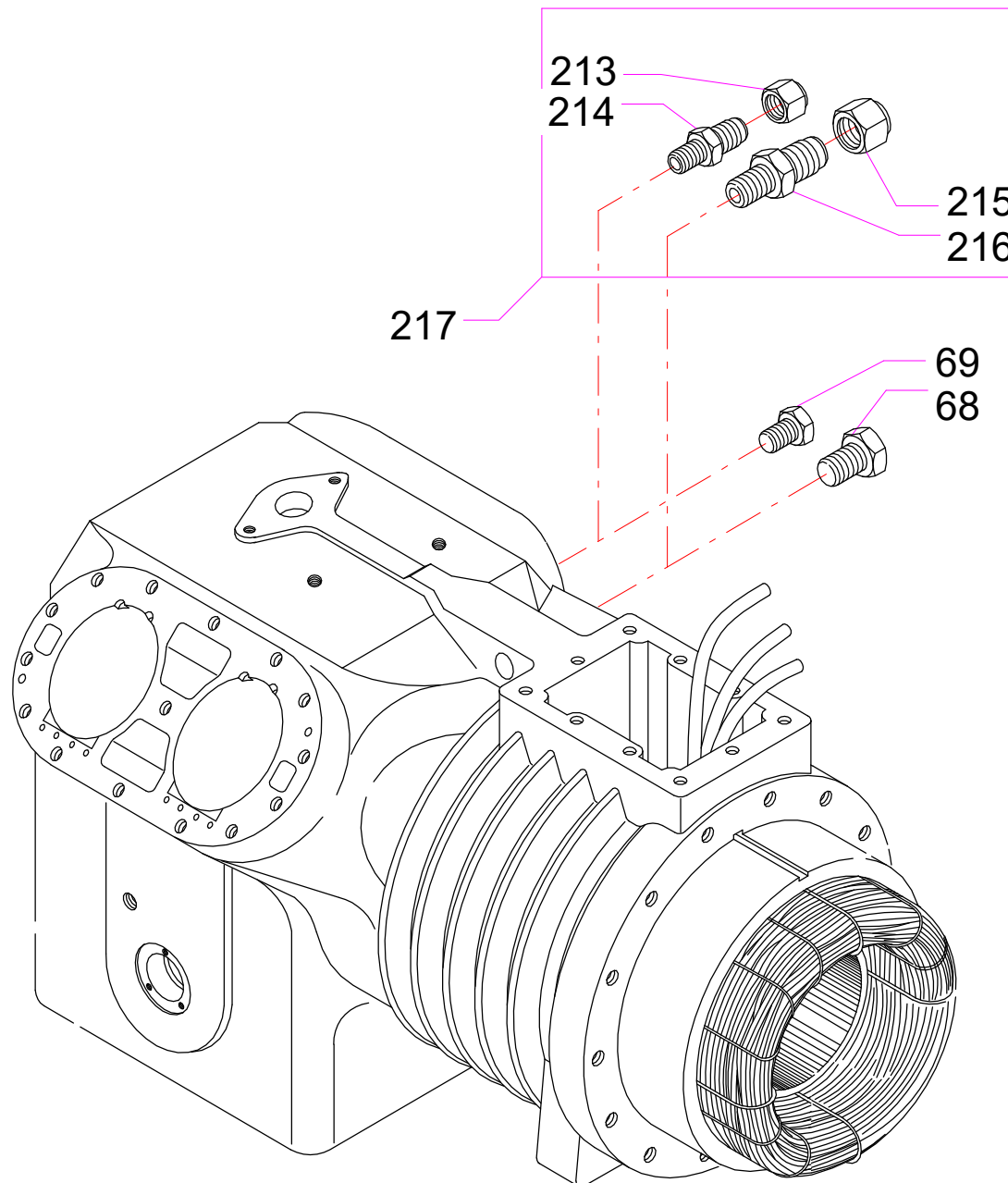


Liquid injection

ATTENZIONE: il presente disegno è di esclusiva proprietà REFCOMP.
E' fatto divieto di riproduzione e di divulgazione anche parziale secondo
quanto regolato dalle norme vigenti.

ATTENTION: the present drawing is exclusively ownership of REFCOMP.
Is forbidden to reproduce and to disclose, even if partial, the present
document in conformity to law regulation in force.

Pos	Code	Description	Serial number	Note	Q.ty
230	303165	Liquid injection kit 'SP6' series			1
242	502941	Liquid injection pipe			1
237	519078	Injection module bracket 'P/SB' series			1
241	519099	Calibrated grub screw Ø1.2 M5x8 'SB' series			1
240	519101	Calibrated grub screw Ø1.65 M5x8 'SB' series			1
234	519103	Liquid injection bracket			1
239	540699	Nozzle connection M5x8			2
232	610550	Galvanized screw M5x12			2
235	610870	Galvanized nut M5			2
236	614492	Galvanized screw M4x8			4
233	614493	Pipe bracket Ø10			2
231	760513	Temperature probe PT1000			1
238	760515	Lcm module electronic injection 230V-50/60Hz			1



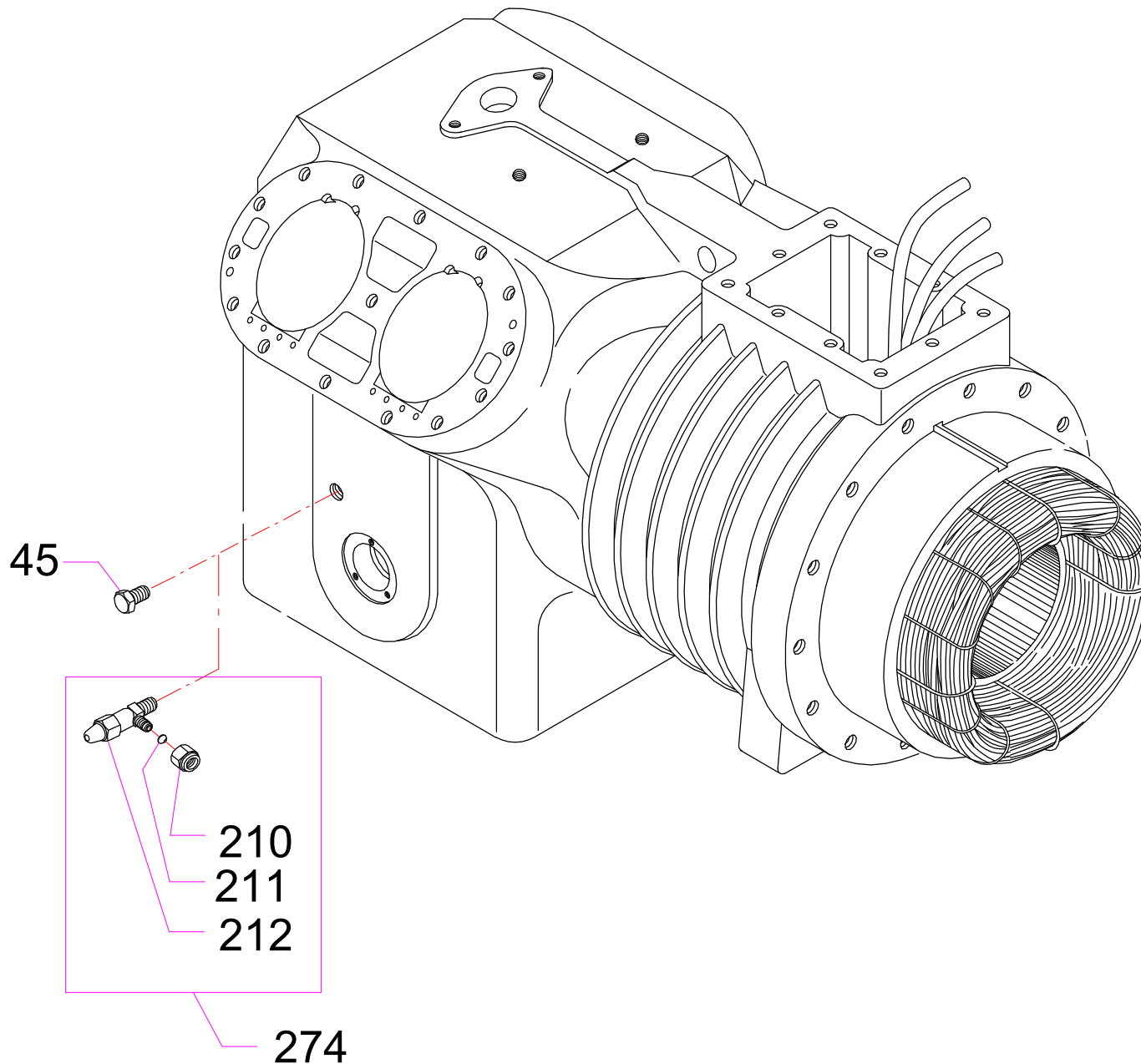
Parallel compounding connection

ATTENZIONE: il presente disegno è di esclusiva proprietà REFCOMP.
E' fatto divieto di riproduzione e di divulgazione anche parziale secondo
quanto regolato dalle norme vigenti.

ATTENTION: the present drawing is exclusively ownership of REFCOMP.
Is forbidden to reproduce and to disclose, even if partially, the present
document in conformity to law regulation in force.

Pos	Code	Description	Serial number	Note	Q.ty
217	303142	Straight connection kit 'P4/6' series			1
69	519148	Plug 1/2" NPT			1
68	519149	Plug 3/4" NPT			1
216	540681	Straight connection 1"1/4-12UNF-3/4"NPT			1
213	640631	Straight connection 1/2"NPT-5/8"SAE			1
214	640633	Nut 5/8"SAE-16			1
215	640634	Nut 7/8"SAE-22			1

Parallel compounding connection



Oil charge valve

ATTENZIONE: il presente disegno è di esclusiva proprietà REFCOMP. E' fatto divieto di riproduzione e di divulgazione anche parziale secondo quanto regolato dalle norme vigenti.

ATTENTION: the present drawing is exclusively ownership of REFCOMP. Is forbidden to reproduce and to disclose, even if partialy, the present document in conformity to law regulation in force.

RefComp Spa

36045 Lonigo

Vicenza - Italy

Via Enrico Fermi, 6

Tel +39 0444 726726

Fax +39 0444 436386

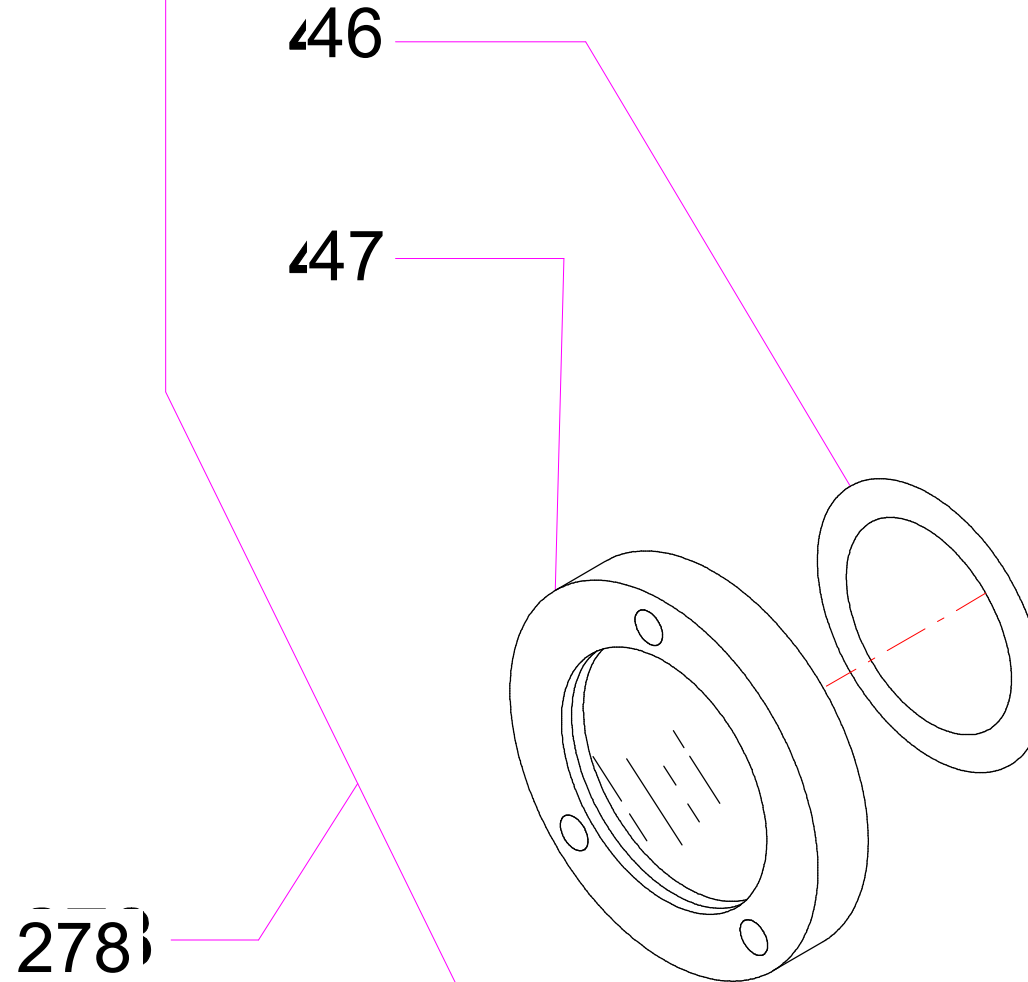


REFRIGERANT COMPRESSORS
Lonigo (Vicenza) Italy

Pos	Code	Description	Serial number	Note	Q.ty
274	303143	Charge/discharge shut-off valve kit 1/4"NPT 'P' series			1
45	519147	Plug 1/4" NPT			1
210	640020	Nut 1/4"SAE-6			1
211	640050	Cooper cap 1/4"SAE			1
212	640080	Charge/discharge shut-off valve 1/4"NPT			1

Oil charge valve

www.refcomp.it
spareparts@refcomp.it

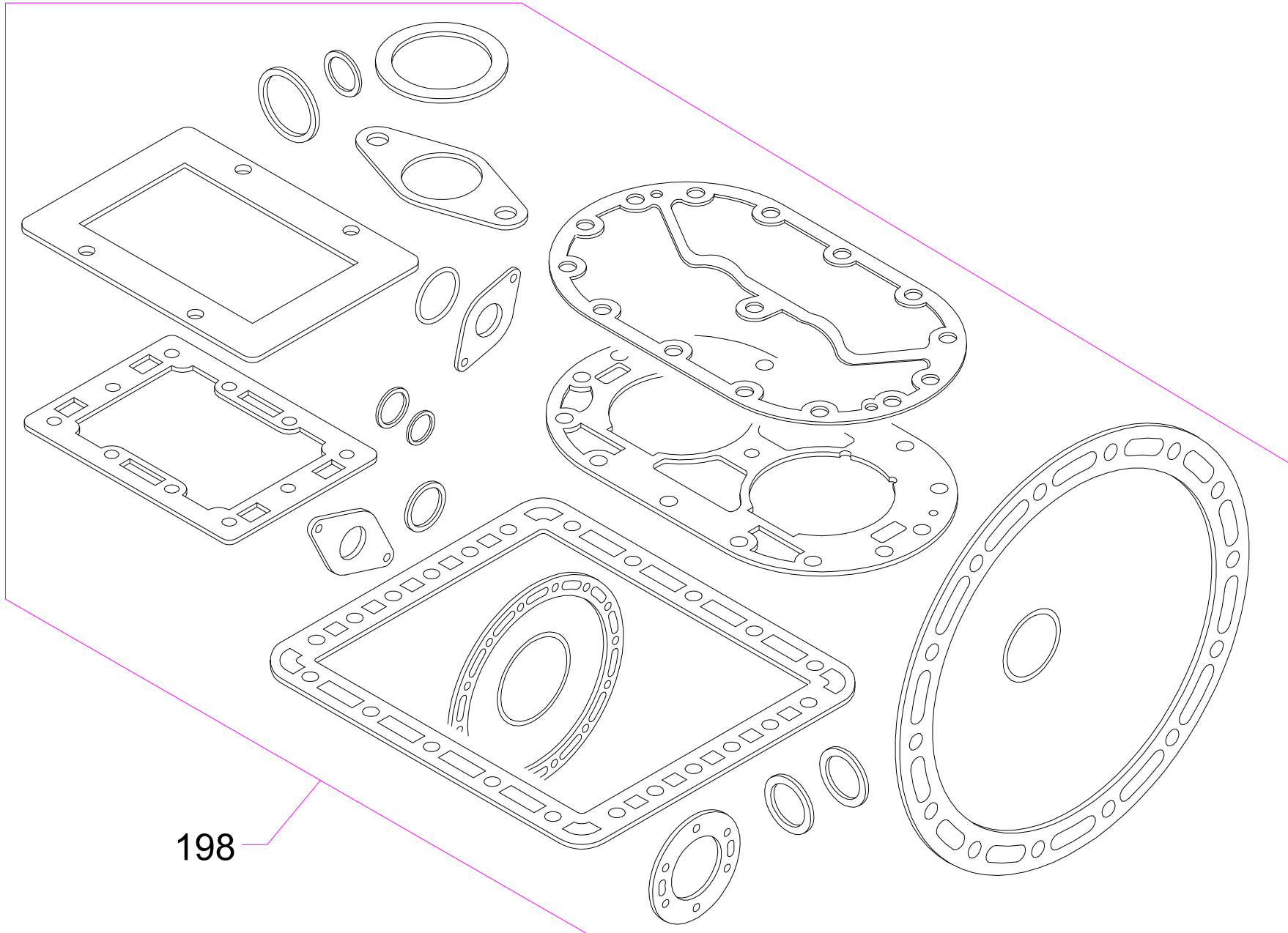


Sight glass cover

ATTENZIONE: il presente disegno è di esclusiva proprietà REFCOMP.
E' fatto divieto di riproduzione e di divulgazione anche parziale secondo
quanto regolato dalle norme vigenti.

ATTENTION: the present drawing is exclusively ownership of REFCOMP.
Is forbidden to reproduce and to disclose, even if partialy, the present
document in conformity to law regulation in force.

Pos	Code	Description	Serial number	Note	Q.ty
278	300270	Sight glass cover kit 3 holes			1
47	500270	Sight glass cover 3 holes			1
46	690080	O-ring OR3131			1



198

Gaskets

ATTENZIONE: il presente disegno è di esclusiva proprietà REFCOMP. E' fatto divieto di riproduzione e di divulgazione anche parziale secondo quanto regolato dalle norme vigenti.

ATTENTION: the present drawing is exclusively ownership of REFCOMP. Is forbidden to reproduce and to disclose, even if partially, the present document in conformity to law regulation in force.

Pos	Code	Description	Serial number	Note	Q.ty
198	303197	Gasket kit 'P4/6' series			1